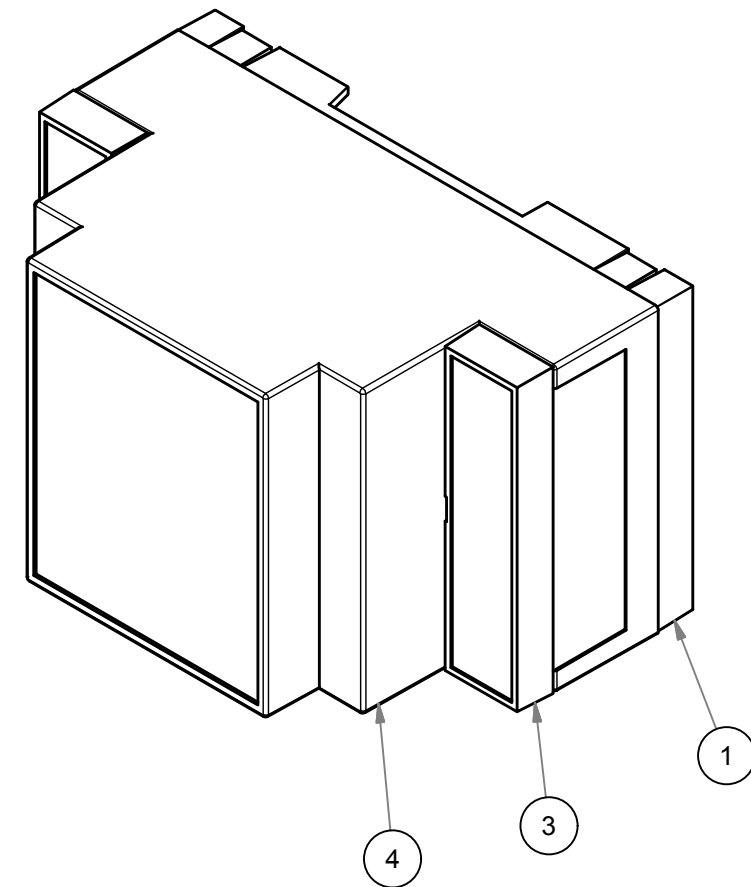
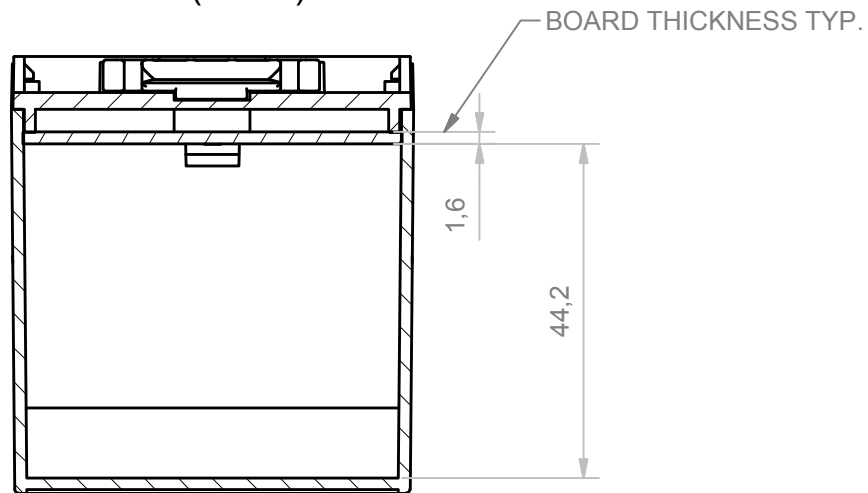


PCB "A" POSITION
(NOT SUPPLIED)



B-B (1:1)



RIF.	Q.TY	DESCRIPTION	CODE
1	1	BASE 3 MODULI - BASE 3 MODULES	M-00229-02
2	1	MODULAR SHORT HOOK	M-01624-02
3	2	COPRIMORSETTO SENZA FORATURA 3MPN	M-00255-01
4	1	CORPO CONTENITORE 3MC53	M-02005-00

RESERVED PROPERTY: The present drawing cannot be reproduced or communicated to 3d parties, even partially, without the authorization of ITALTRONIC Srl. Italtronic reserves to protect its own rights according to the law.

5 4 3 2 1

GENERAL TOLERANCE	UNI EN 22768/1 Media (m)	Drawn:	Checked:	Revision description
SHEET NR.	Dimension in mm	DRAWING BY	Fanin F.	Dalla Montà D.
1 / 1		 Manual modification are not allowed	Date:	Scale: 1 : 1
			07/06/2016	Part number:

Denomination: **CONTENITORE COMPLETO MODULBOX 3MC53**
COMPLETE ENCLOSURE MODULBOX 3MC53

ITALTRONIC S.R.L.
VIA AUSTRIA 25/D 35127
PADOVA - ITALY
www.italtronic.com

Drawing nr. **M-06595-00**