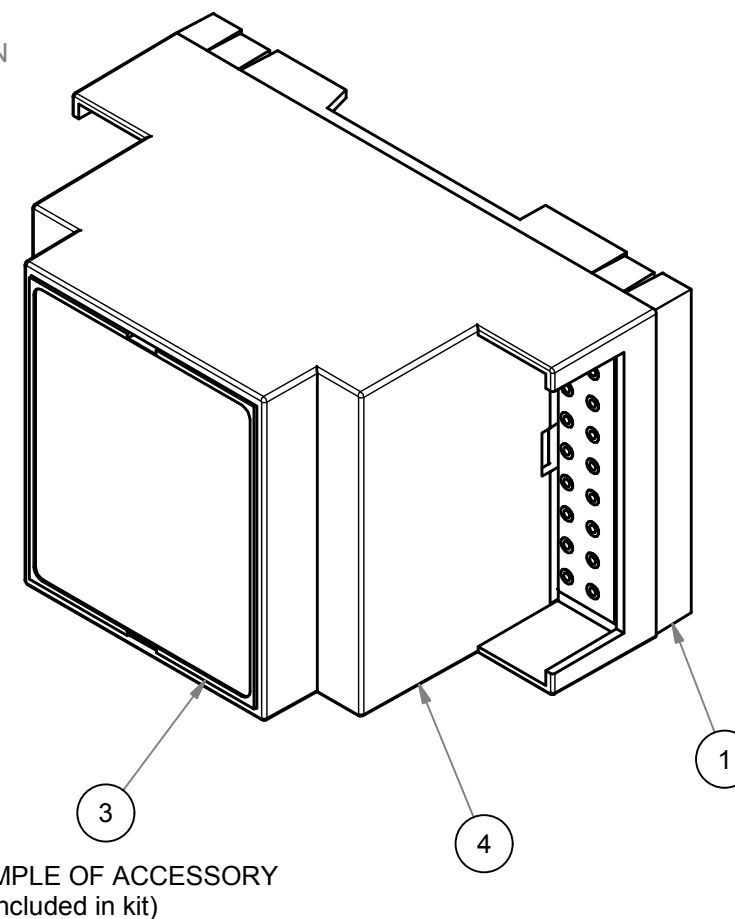
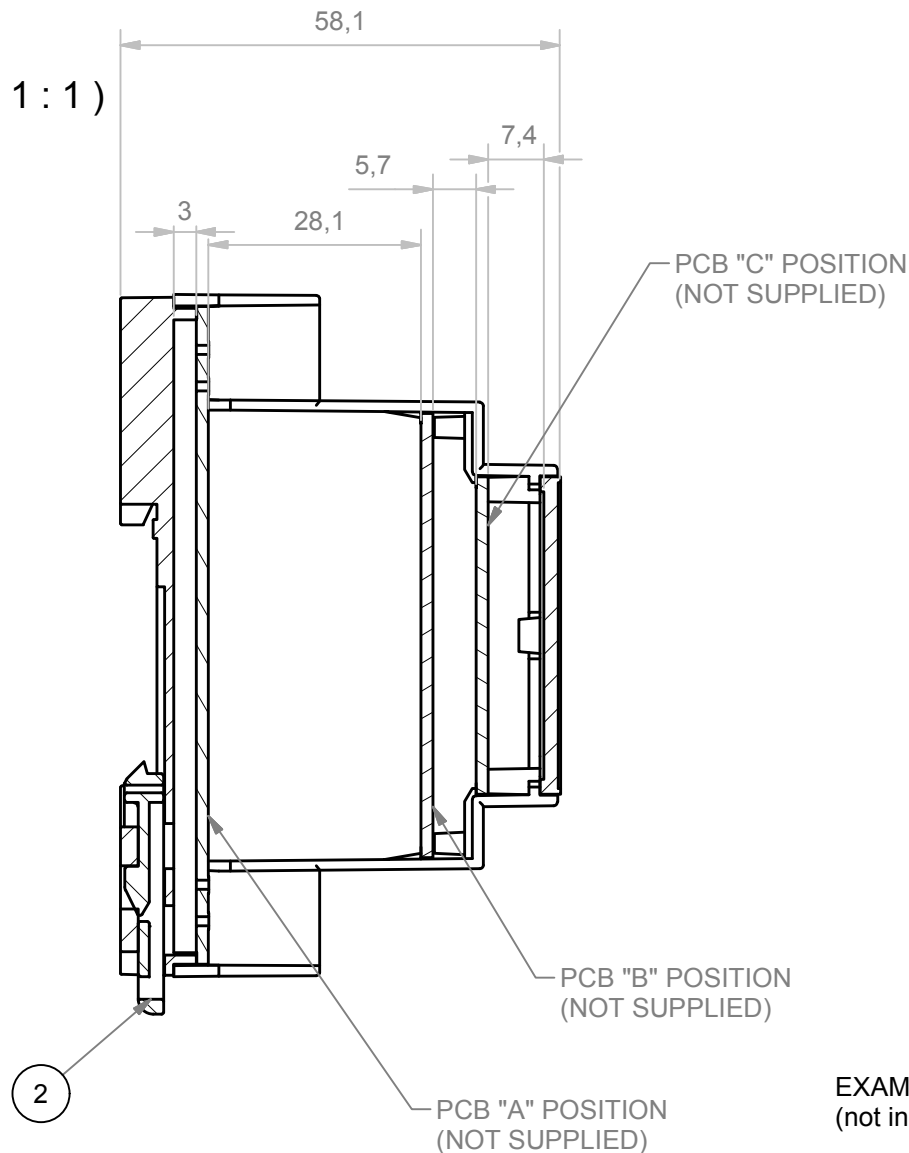
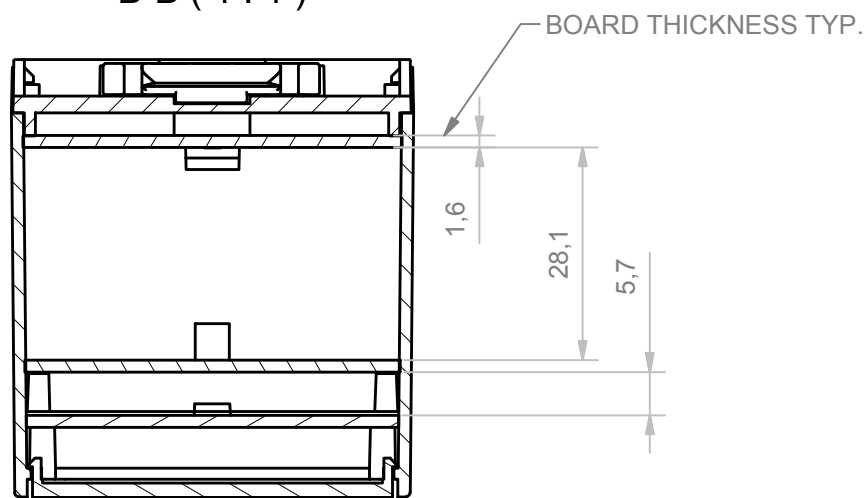


A-A (1:1)



B-B (1:1)



RIF.	Q.TY	DESCRIPTION	CODE
1	1	BASE 3 MODULI - BASE 3 MODULES	M-00229
2	1	MODULAR SHORT HOOK	M-01624-02
3	1	PANNELLO 3M CON CORNICE - PANEL 3M WITH FRAME	M-00350
4	1	CORPO CONTENITORE 3M53	M-01860-01

RESERVED PROPERTY: The present drawing cannot be reproduced or communicated to 3d parties, even partially, without the authorization of ITALTRONIC Srl. Italtronic reserves to protect its own rights according to the law.				5	4	3	2	1
GENERAL TOLERANCE	UNI EN 22768/1 Media (m)		Drawn:	Checked:		Revision description		
SHEET NR.	Dimension in mm	DRAWING BY	Fanin F.		Dalla Montà D.		Scale: 1 : 1	
1 / 1		 Manual modification are not allowed	Date: 07/06/2016		Replace nr.		Part number:	

 UN PARTNER PER IL FUTURO PLASTIC+ Group Italtronic	Denomination: CONTENITORE COMPLETO MODULBOX 3M53 COMPLETE ENCLOSURE MODULBOX 3M53
	Drawing nr. M-06603-00

ITALTRONIC S.R.L.
 VIA AUSTRIA 25/D 35127
 PADOVA - ITALY
www.italtronic.com