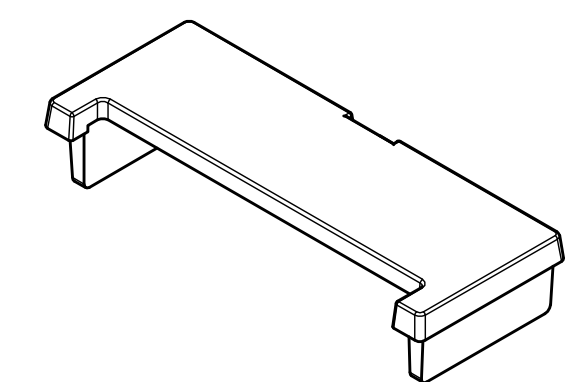
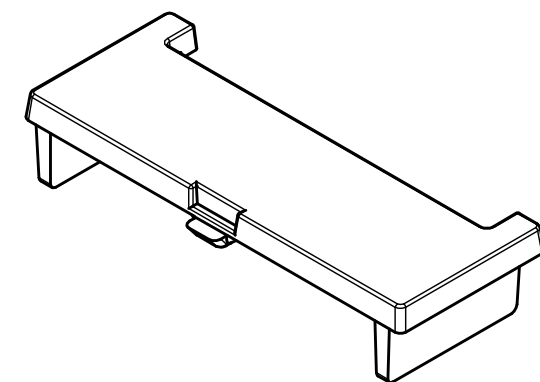
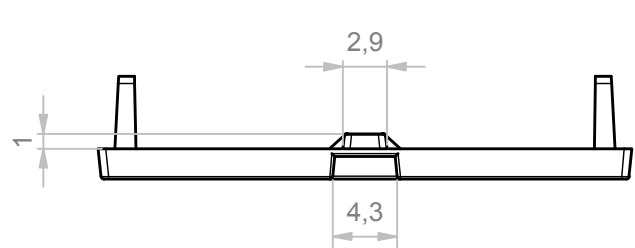
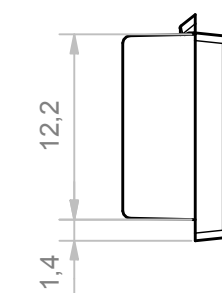
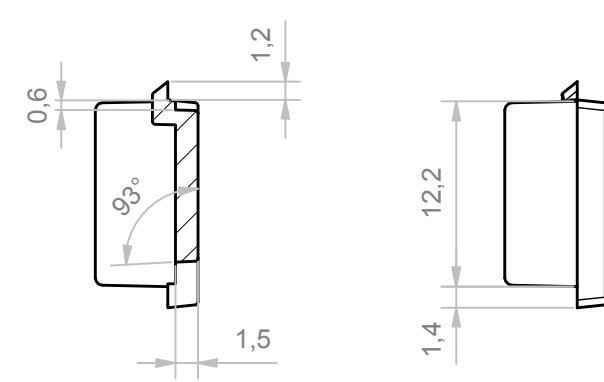



A-A (2 : 1)



General Tolerance UNI EN 22768/1 Media (m)				
from 0.5 to 3	from 3 to 6	from 6 to 30	from 30 to 120	from 120 to 400
± 0.1	± 0.1	± 0.2	± 0.3	± 0.5
Scale: 2 : 1	Sheet nr.: 1 / 1	Drawn: N.R.	Checked: R.N.	Date: 04/03/2019
Dimension in mm		Material: PC/ABS	Weight: -	Cod. Mold: ST.05CM000
 enclosures for electronics italtronic.com		Description: COPRIMORSETTO SPECIALE 2M-CM067 LOW PROFILE TERMINAL COVER SPECIAL 2M-CM067 LOW PROFILE		
Drawing nr. 2_258_00007				Rev. 02

23/04/2020 R.N. Modification requested by the customer.
02/04/2019 N.R. Added radius on edges.

RESERVED PROPERTY: The present drawing cannot be reproduced or communicated to 3rd parties, even partially, without the authorization of ITALTRONIC Srl. Italtronic reserves to protect its own rights according to the law.