

DIN Adaptors for PCB SSRs

DIN rail adaptor module for mounting RP series SSRs on DIN rail. The RPM1 is intended for max. operational voltage of 250V, whilst the RPM2 can be used up to 600V.

The RP SSR is not included. Suffix 'M1' or 'M2' is added to the SSR part no. for a factory mounted solution.

Note that when the RP.10 is mounted on DIN rail (vertical mounting), a derating factor has to be applied.

Ordering Key

RPM 1 -

RP DIN rail adaptor module

Module size

Options

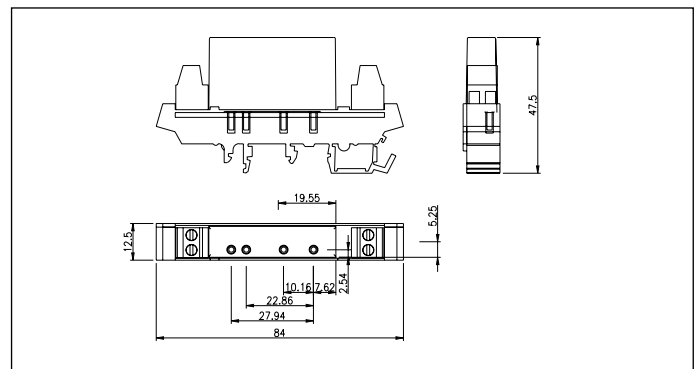
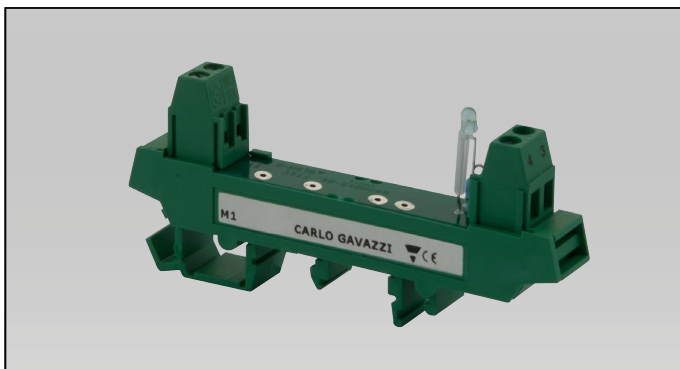
Selection Guide

Part No.	Description	Packing qty.
RPM1 ^{1,2}	250V module with LED	1
RPM1V ^{1,2}	250V module with LED + varistor across output terminals	1
RPM1P	250V module with pins for easy removal of RP unit	1
RPM1PD ^{1,2}	250V module with pins for easy removal of RP unit + LED	1
RPM2 ²	600V module with LED	2

1: Not suitable for use with RP1A23A6

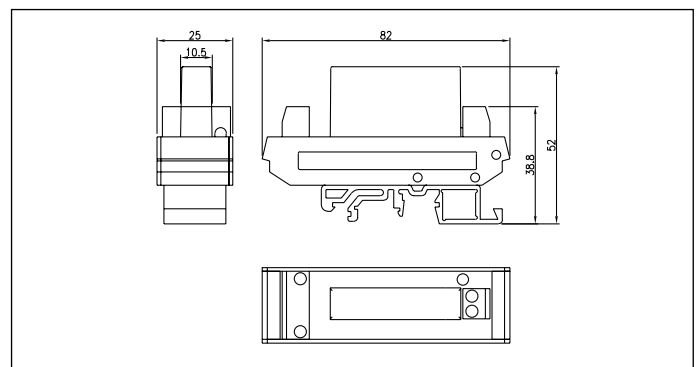
2: Control voltage to be applied to the RPMx terminal block differs from the RP1... control voltage. Refer to the RP1... datasheet for further details.

RPM1



Dimensions in mm including SSR

RPM2



Dimensions in mm including SSR