



ZIPPY TECHNOLOGY CORP.



10F, NO.50, MIN CHYUAN ROAD,
SHIN-TIEN CITY, TAIPEI COUNTY,
TAIWAN, R.O.C

TEL: 886-2-2918-8512 / 886-2-2918-0603
FAX: 886-2-2915-5765 / 886-22916-0215
[Http://www.zippy.com.tw](http://www.zippy.com.tw)

APPROVED DATA SHEET

Model: 1001040005(ANM-I1W-O1W-Z)
=====

ISSUED DATE: Jul.11.2014
APPROVED NO.: 1001040005.C
PAGE: 1/2

The undersigned guarantee of the model switches is meets the following specifications.

1.Operation Characteristics

Operating Force (OF) : Rotation - Max.60 gf-cm
Push – Max.300 gf

2. Specifications

Initial Contact Resistance : Max. 300 mΩ (Measured by ohm meter –Open Voltage<1VDC, Driver current -100mA)
Insulation Resistance : Min. 100 MΩ (100 VDC/ minute) between Live-parts and dead metal
Circuit Arrangement : As Enclosed Drawing
Rating : 1mA 10 VDC with Resistive Load
Service Life : Rotation - Min.2,000,000operations(C.W.1,000,000&C.C.W 1,000,000)
Push - Min. 1,000,000 operations
Operating Frequency : Rotation - Max. 30 operations per minute
Push - Max. 120 operations per minute
Depression - Max.300 gf

3. Environments

Operating Temperature : 0°C ~40°C
Storage Temperature : -40°C ~ 70°C (With no icing)
Vibration Resistance : 10~55Hz, displacement 0.75mm(p-p)
Shock Resistance : Destruction: 1,000 m/s² {approx. 100G} max.
Malfunction: 300 m/s² {approx. 30G} max.
Soldering by hand : 260 °C maximum within 5 seconds; 300 °C maximum within 3 seconds

ZIPPY TECHNOLOGY CORP.

張立人

PREPARED

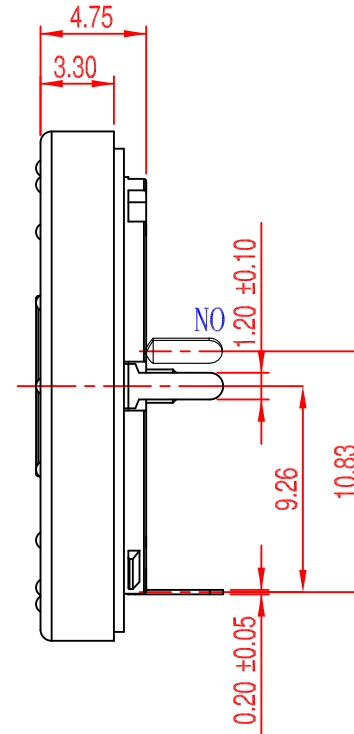
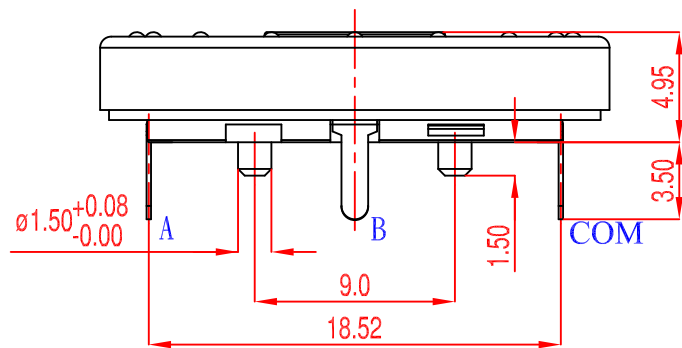
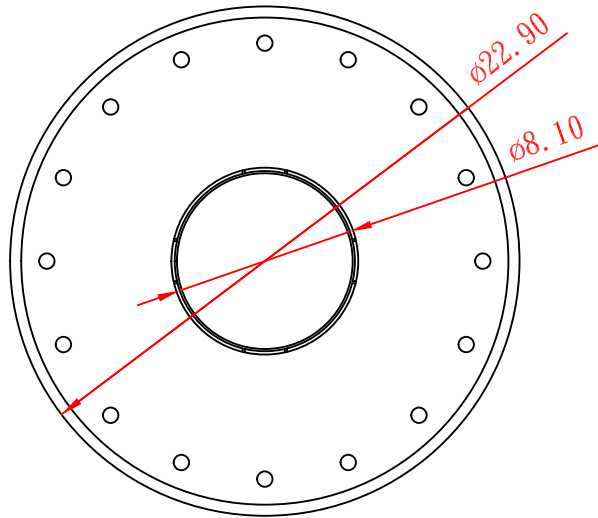
許志誠

CHECKED

沈俊榮

APPROVED

Dimensions drawing



CONTACT CONFIGURATION

Push



Rotation

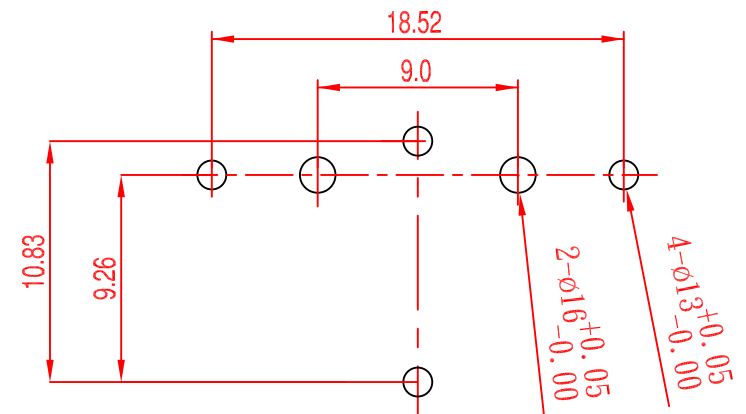
NO	ANGLE	-90°	-60°	-30°	0°	30°	60°	90°	
○ A-C	ON	[Waveform showing pulse sequence]							
○ A-C	OFF	[Waveform showing pulse sequence]							
○ B-C	ON	[Waveform showing pulse sequence]							
○ B-C	OFF	[Waveform showing pulse sequence]							

CW ← → CCW

Numbers of detent : 24

Pulse/Rotation : 12 pulse/360°

MOUNTING HOLES



TOLERANCE

X.X	± 0.2
XX.X	± 0.4

VIEW		SIZE	A4	UNIT	mm
DATE	Jul.08.2013	VER.	1.4	FILE NAME	ANM
APPROVAL	沈俊榮	CONFIRM	陳立業	DESIGN	張立人