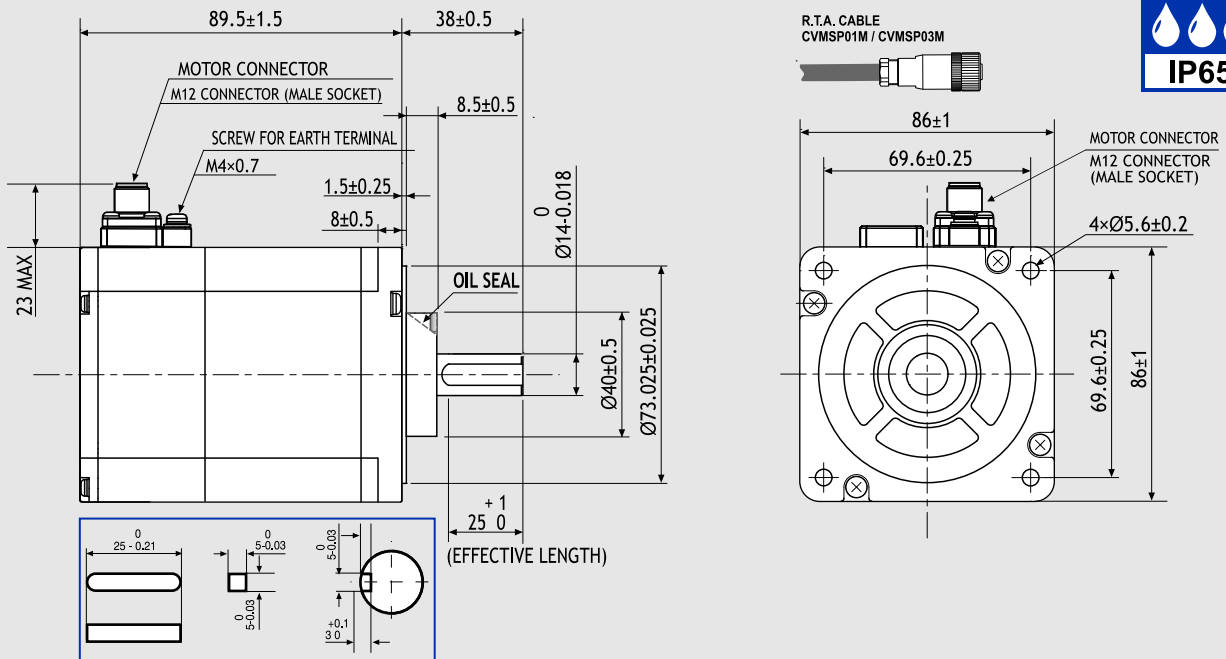


SP2861-51SX01

SANYO DENKI
SANMOTION

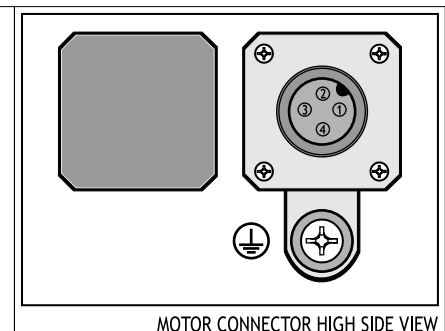
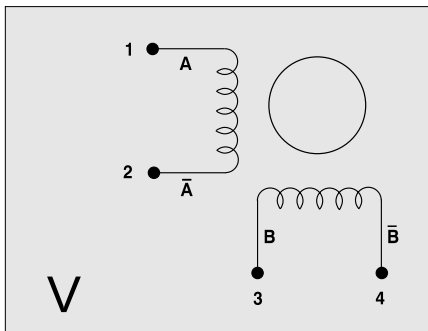
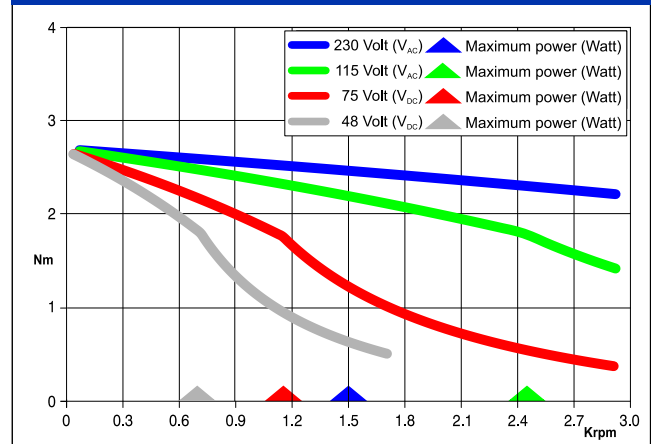
Dimensions (Unit:mm)



FEATURES

	MODEL	SP2861-51SX01
BASIC STEP ANGLE		1.8° ± 0.09°
BIPOLAR CURRENT	(Amp)	4.0
RESISTANCE	(Ohm)	0.56
INDUCTANCE	(mH)	3.7
BIPOLAR HOLDING TORQUE	(Ncm)	360
ROTOR INERTIA	(Kg ^m ² x 10 ⁻⁷)	1480
THEORETICAL ACCELERATION	(rad x sec. ⁻²)	24300
BACK E.M.F.	(V/Krpm)	60
MASS	(Kg)	1.9
INTERNATIONAL STANDARDS		UL, CSA, CE, RoHS
INSULATION VOLTAGE	(V)	250 V _{AC} (350 V _{DC})
PROTECTION DEGREE - INSULATION CLASS		FULL IP65 - F
LEADS CODE		V

TORQUE/SPEED CURVE



Suggested driver: preferred solution X-PLUS Series, X-MIND Series (110-230 Vac)



R.T.A. s.r.l.
Via E. Mattei - Fraz. Divisa
27020 MARCIGNAGO (PV) ITALY
Tel. +39.0382.929.855 - Fax +39.0382.929.150
www.rta.it

R.T.A. Deutschland GmbH
Bublitz Straße 34
40599 DÜSSELDORF (Germany)
Tel. +49.211.749.668.60 - Fax +49.211.749.668.66
www.rta-deutschland.de

R.T.A. IBERICA-Motion Control Systems S.L.
C/Generalitat 22, 1° 3°
08850 GAVA - BARCELONA (Spain)
Tel. +34.936.388.805 - Fax +34.936.334.595
www.rta-iberica.es