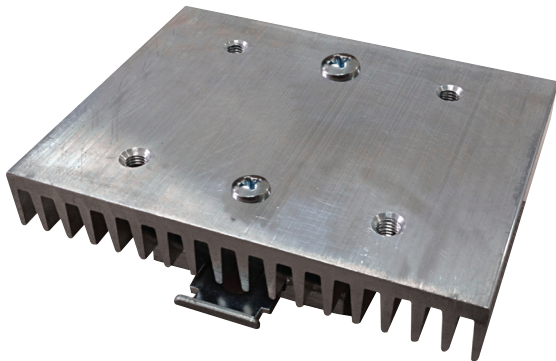


RHS10015



Accessories: Heatsinks



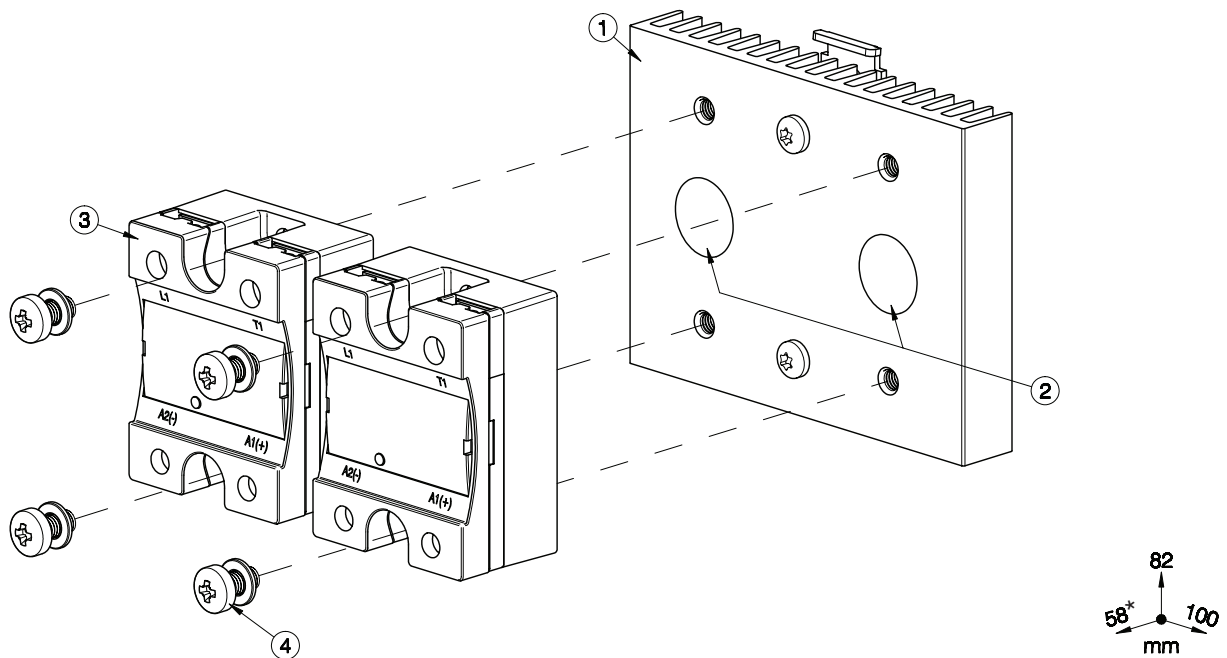
Main features

- 4.0°C/W thermal resistance
- Suitable for mounting of 2x 1-phase SSRs
- DIN rail mounting
- Dimensions W x H x D: 100 x 82 x 29 mm
- RoHS compliant

Description

Heatsink assembly suitable for mounting of 2x 1-phase solid state relay (SSR). Suffix H47 added to SSR part no. refers to factory mounted heatsink. Conditions apply. Please ask your sales representative for further details.

Structure



Element	Component	Qty	RHS10015
1	RHS10015 heatsink assembly	1	Provided
2	Thermal Compound HTS02S	1	Provided
3	1-phase SSR 45x59mm (max.)	2	Not provided
4	M5x45mm PZ2 + Washer	4	Provided

Note:

* 62mm for RK..C, 73mm for RK..P (including plug).

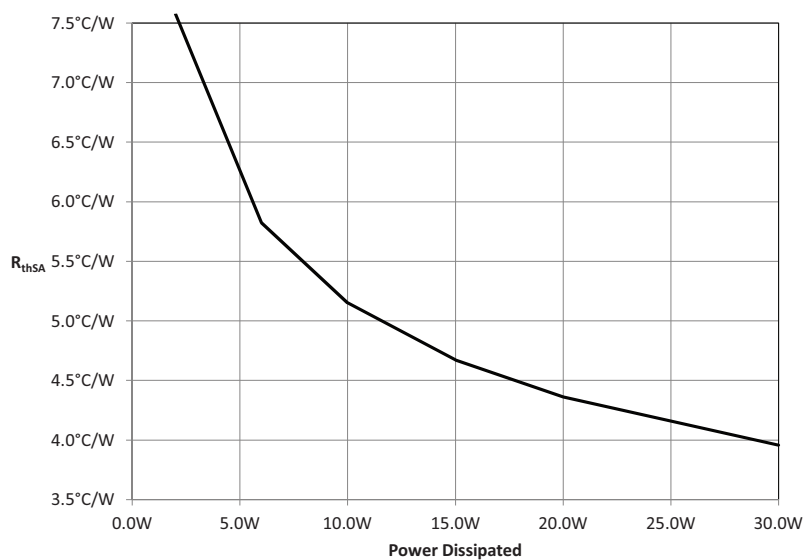
Dimensions including the SSR.

Features

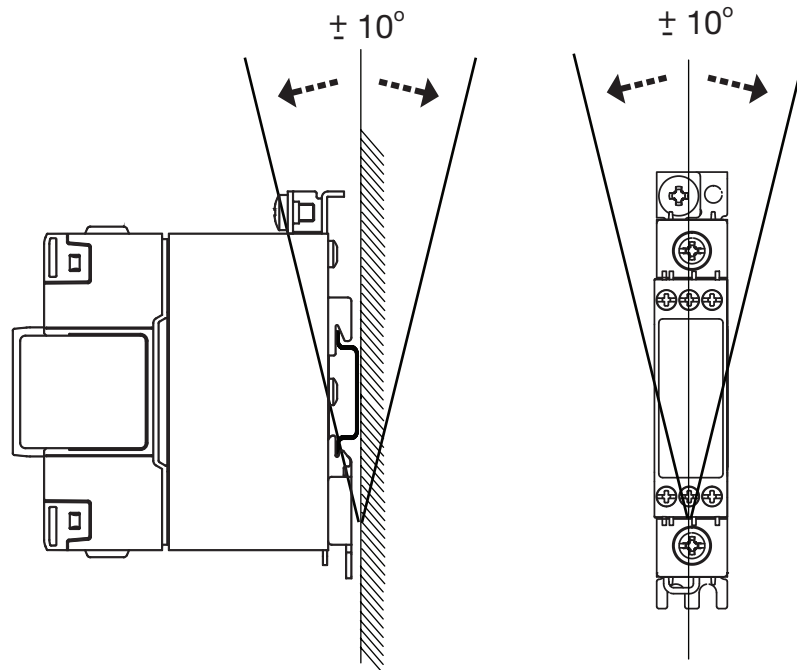
General

SSR max. mounting torque	1.5Nm (13.3 lb-in)
Weight (excl. SSR)	approx. 260g
Material	Aluminium
Finish	None
Fan mounting	Not possible

Thermal resistance curve



Mounting position



Installation

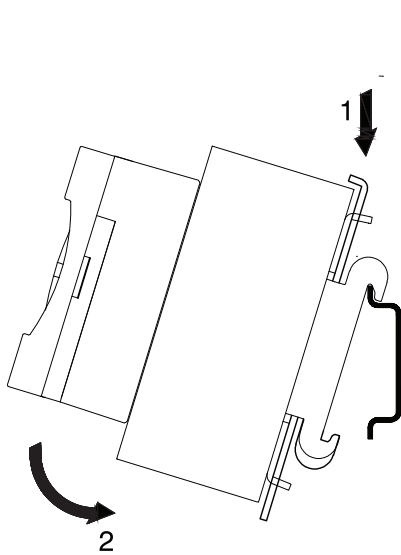


Fig. 1 *Mounting on DIN rail*

Illustrations are for example only.

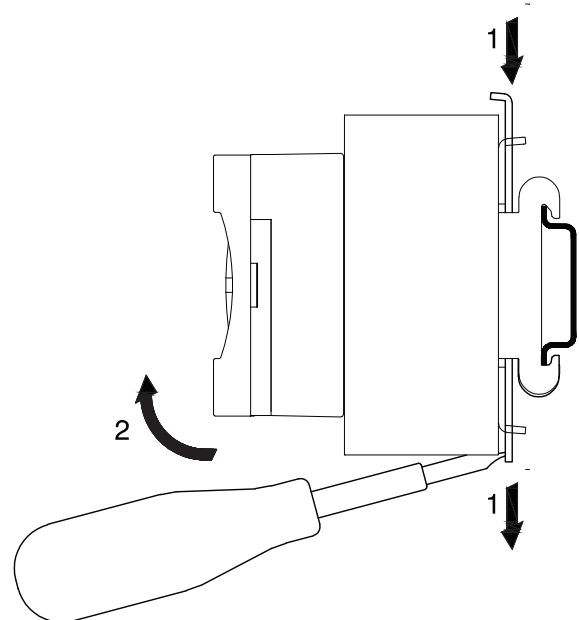


Fig. 2 *Dismounting from DIN rail*

Recommended maximum current rating (per SSR)


1. The below recommendations are only valid when the assembly (SSR + heatsink) is mounted as shown in the mounting instructions unless otherwise indicated.
2. The indicated ratings are applicable to one SSR, one pole. Please refer to the online selector tool at www.productselection.net for different load currents, surrounding temperatures or multiple units on one heatsink.
3. These recommendations are applicable only with the indicated Carlo Gavazzi thermal interface material between SSR and heatsink. In case a different thermal interface is utilised these recommendations may no longer be valid.

Pre-attached phase change pad, RKHT

2x 2-pole SSR	Surrounding temperature							
	°C °F	20 68	30 86	40 104	50 122	60 140	70 158	80 176
RK 2.. (per pole)	50	17	15	13	11	9	7	5
	51	17.5	15.5	13.5	11.5	9.5	7.5	5.5
	75	19	16.5	14.5	12	10	7.5	5.5

 Thermal compound, HTS02S

2x 1-phase SSR	Surrounding temperature							
	°C °F	20 68	30 86	40 104	50 122	60 140	70 158	80 176
RD..	1	1	1	1	1	1	1	-
	5	5	5	5	4.5	4	3	-
RA..L RA..T	10	9.5	8.5	7	5.5	3.5	2	-
	25	9.5	8.5	7	5.5	3.5	2	-
RA..	25	15.5	14.5	12.5	10	8	6	-
	50	18	16.5	14	11.5	9	6.5	-
	90	20.5	19	16	13	10.5	7.5	-
	110	22	20.5	17.5	14	11	7.5	-
RA60..	50	18.5	17	14.5	12	9.5	7	-
RA2A.. (per pole)	25	8	7.5	6	5	3.5	2.5	-
	40	9	8	6.5	5.5	4	2.5	-
	25M	8	7.5	6	5	3.5	2.5	-
	40M	9	8	6.5	5	4	2.5	-
RS1A..	10	7.5	7	6	4.5	3.5	2.5	-
	25	14	12.5	10.5	8.5	6.5	4	-
	40	15	13.5	11.5	9	6.5	4.5	-
RS1A..E	25	8	7.5	6	4.5	3.5	2.5	-
	40	8	7	6	4.5	3.5	2	-
RM1A.. RM1B.. RM1C..	25	14	12.5	10.5	8.5	6.5	4	-
	50	15	13.5	11.5	9	6.5	4.5	-
	75	18.5	17	14	11	8	5.5	-
	100	19.5	18	15	12	8.5	6	-
RM1A60.. RM1B60.. RM1C60.. RM1E60..	50	15.5	14.5	12	9.5	7	5	-
RAM1A.. RAM1B.. RM1E..	25	14	12.5	10.5	8.5	6.5	4	2
	50	15	13.5	11.5	9	6.5	4.5	2.5
	75	18.5	17	14	11	8	5.5	3
	100	18.5	17	14	11	8	5.5	3
	125	19.5	18	15	12	8.5	6	3

 Thermal pad, KK071CUT

2x 1-phase SSR	Surrounding temperature							
	°C °F	20 68	30 86	40 104	50 122	60 140	70 158	80 176
RD..	1	1	1	1	1	1	1	-
	5	5	5	5	4.5	4	3	-
RA..L RA..T	10	9.5	9	7	5.5	3.5	2	-
	25	9.5	9	7	5.5	3.5	2	-
RA..	25	15.5	14.5	12	10	8	6	-
	50	17.5	16.5	14	11.5	9	6.5	-
	90	20	18.5	16	13	10	7.5	-
	110	19	17.5	14.5	11.5	8.5	6	-
RA60..	50	18	17	14.5	12	9.5	7	-
RA2A.. (per pole)	25	8.5	7.5	6.5	5	3.5	2.5	-
	40	9	8.5	7	5.5	4	2.5	-
	25M	8.5	7.5	6.5	5	3.5	2.5	-
	40M	9	8	7	5.5	4	2.5	-
RS1A..	10	7.5	7	6	4.5	3.5	2.5	-
	25	13.5	12.5	10.5	8	6	4	-
	40	14.5	13.5	11	8.5	6.5	4.5	-
RS1A..E	25	8	7.5	6	4.5	3.5	2.5	-
	40	8	7.5	6	4.5	3.5	2	-
RM1A.. RM1B.. RM1C..	25	13.5	12.5	10.5	8	6	4	-
	50	14.5	13.5	11	8.5	6.5	4.5	-
	75	18	16.5	13.5	11	8	5.5	-
	100	19	17.5	14.5	11.5	8.5	6	-
RM1A60.. RM1B60.. RM1C60.. RM1E60..	50	15	14	11.5	9.5	7	4.5	-
RAM1A.. RAM1B.. RM1E..	25	13.5	12.5	10.5	8	6	4	2
	50	14.5	13.5	11	8.5	6.5	4.5	2.5
	75	18	16.5	13.5	11	8	5.5	3
	100	18	16.5	13.5	11	8	5.5	3
	125	19	17.5	14.5	11.5	8.5	6	3



References

CARLO GAVAZZI compatible components

Purpose	Component name/code	Notes
Thermal pads	KK071CUT	Packing qty. 50 pcs.
Phase change thermal pad	RKHT	Packing qty. 10 pcs.
Thermal compound	HTS02S	2ml syringe of silicone based thermal compound
Screw Kits	SRWKITM5X10MM	Packing qty. 20 pcs.

Further reading

Information	Where to find it
Online heatsink selector tool	http://www.productselection.net/heatsink/heatsinkSelector.php?LANG=UK
Accessories	http://www.productselection.net/Pdf/UK/SSR_Accessories.pdf

Order code



RHS10015



COPYRIGHT ©2016
Content subject to change. Download the PDF: www.productselection.net