

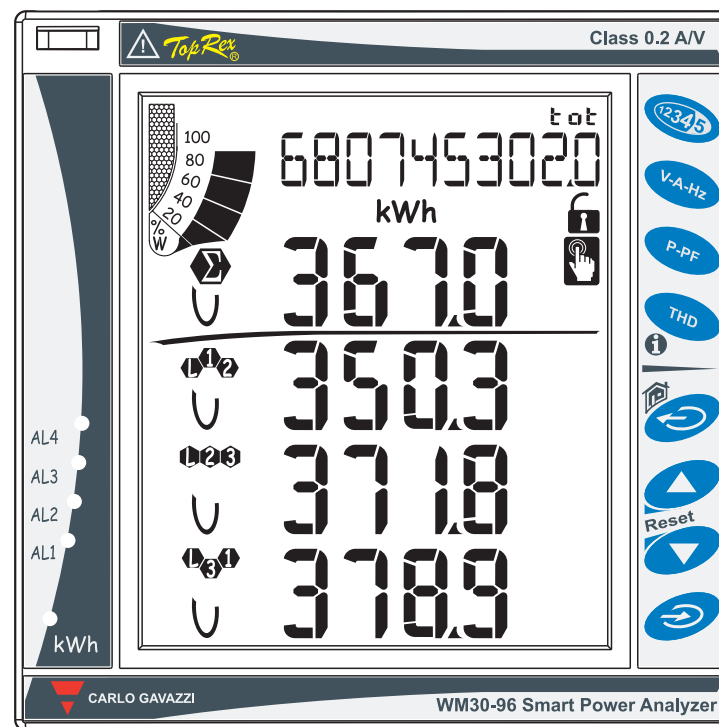


Instruction Manual

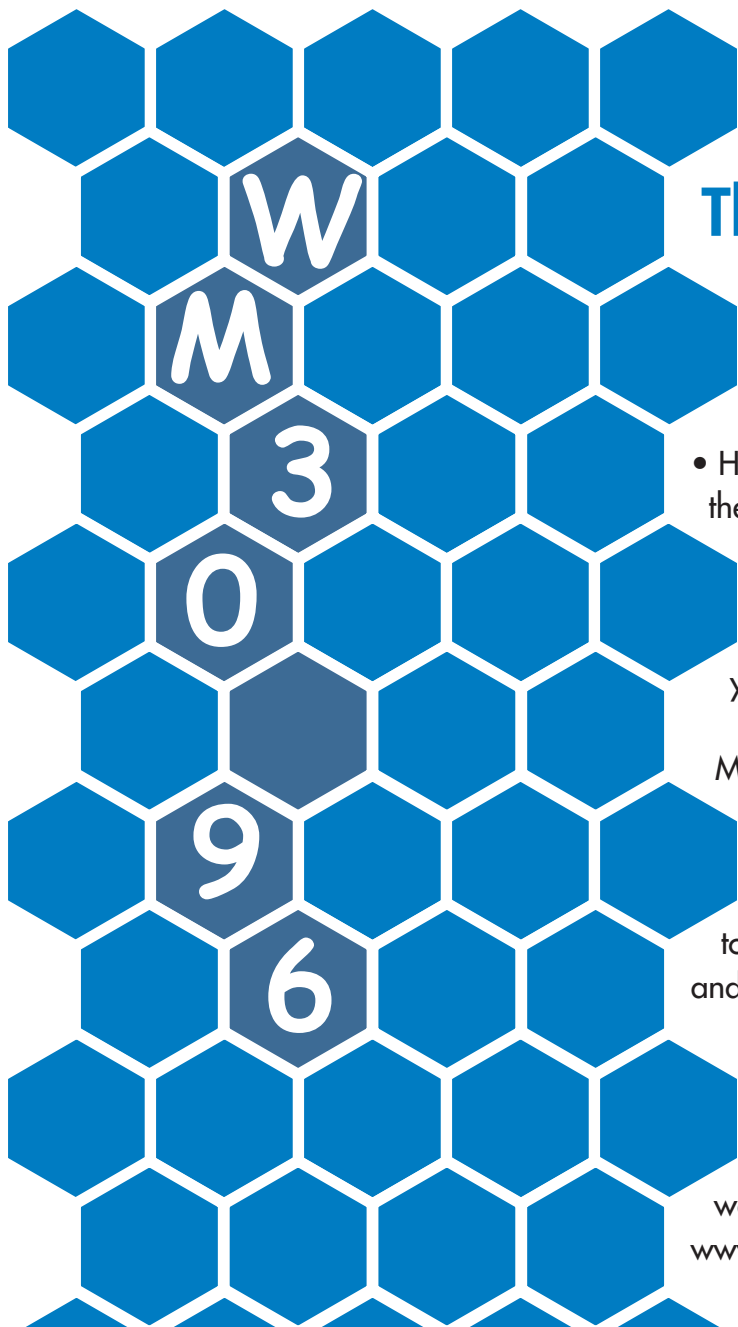
Display, Programming

Modular system

Class 0.2 A/V



Control



Thank you for choosing our products

WM30 96:

- High accuracy (class 0.2 A/V);
- High calculation performances for a fast analysis of the signal (FFT up to the 32nd harmonics);
- high connection capabilities.

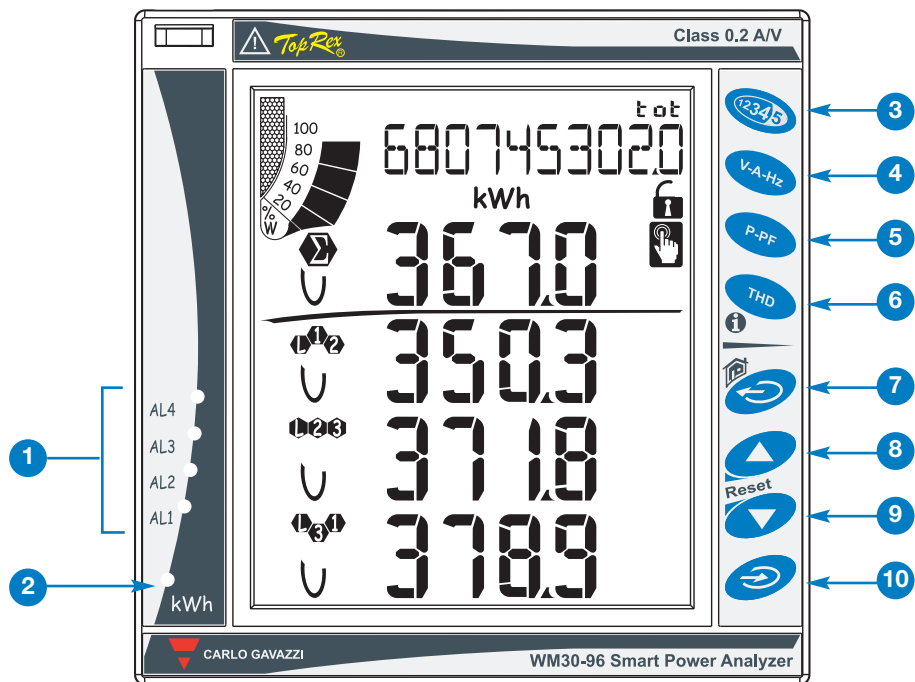
WM30-96 is the state-of-the-art technological answer to your needs of power quality analysis.

Moreover, you can count on a ISO9001/VISION 2000 certified company structure, an experience of many years and a wide-spread presence both in Europe and all over the world. All this in order to guarantee the customer with a top-quality service and the best products.

Welcome in Carlo Gavazzi and our compliments for your choice. You can evaluate the complete range of our products on the CARLO GAVAZZI

web-site:

www.gavazzi-automation.com



DESCRIPTION OF THE INSTRUMENT

- 1 Active virtual alarms warners.
- 2 Current energy drain indicator (kWh) by means of flashing, proportional to the measured energy (the higher the flashing frequency, the higher the energy drained. Max. frequency 16Hz pursuant to standard EN5047-1).

The keyboard is divided into two areas, the top area is dedicated to the measurements with direct access to specific visualization screens.

- 3 Visualization of the counters screens: each pressure of the button corresponds to the visualization of a screen with counters related to different energies (see the table with the measurement screens below).
- 4 Visualization of the current voltage and frequency (see the table with the measurement screens below).
- 5 Visualization of the instant $\cos\phi$ and powers (see the table with the measurement screens below).
- 6 Visualization of the harmonics (see the table with the measurement screens below).

The keyboard in the bottom area is especially dedicated to instrument programming.

- 7 Exits the submenus, exits programming.
- 8 “Up” button, enables to browse the menus and to increase the values to be set.
- 9 “Down” button, enables to browse the menus and to decrease the values to be set.
- 10 Access to the programming menu: **hold pressed for at least 2 seconds to access the programming menu.**

In measurement mode, buttons 8 and 9 enable to display the MAX and dmd values of the displayed variables.

Access to the instrument information screens: reference standards, firmware version, year of manufacturing.

“Home” button: from any measurement screen, from any menu, returns to the main measurement screen (customizable by the user). **If you are in the programming menu, any data entered is lost.**

Holding pressed the button 8, you access the reset of the MAX of the displayed variables.

Holding pressed button 9, you access the reset of the dmd's of the displayed variables.

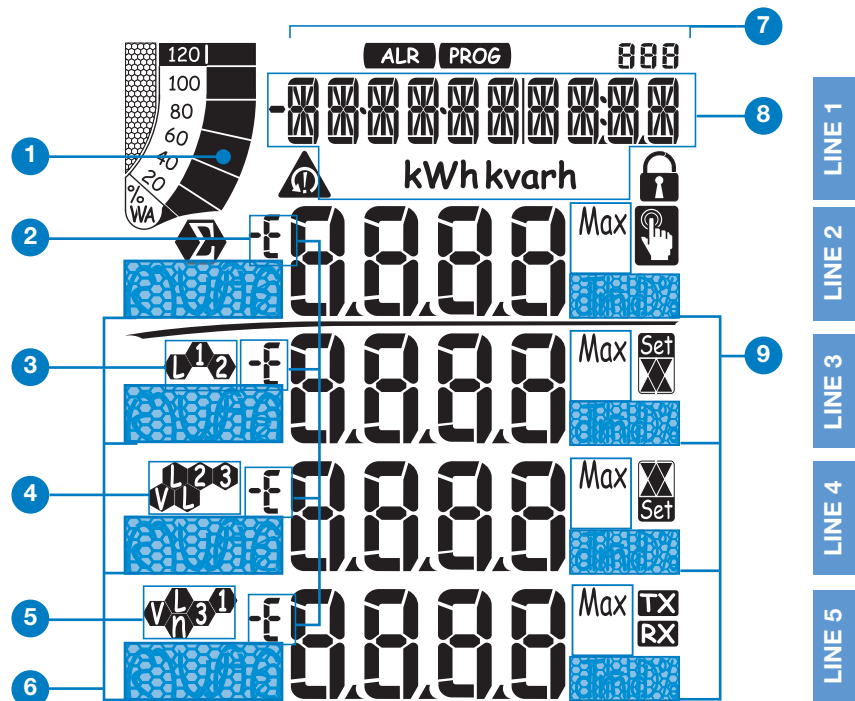
The reset must be confirmed by button 10.



The buttons are enhanced touch buttons. To check their actual engagement, a specific icon on the display turns on each time a button is pressed.

We recommend using your forefinger to activate the touch buttons.





DESCRIPTION OF THE DISPLAY

- 1** Graphic bar which displays the active and the apparent power drained with relation to the installed power.
- 2** Indications of inductive phase displacement L, -L, or capacitive phase displacement C, -C.
- 3** Indication of the measurement phase-neutral L1 or phase-phase L12.
- 4** Indication of the measurement phase-neutral L2 or phase-phase L23 or of the asymmetry phase-phase VLL.
- 5** Indication of the measurement phase-neutral L3 or phase-phase L31 or of the asymmetry phase-neutral VLn.
- 6** Indication of the engineering unit and of the multiplier: k, M, V, W, A, var (VAr), PF (Pf), Hz, An.
- 7** ALR: the alarm display function is active. PROG: the programming function is active.
- 8** Area dedicated to the visualization of counters, text messages, date and time (format: dd.mm.yy/hh:mm). Energy counters (see table on the following screen).
- 9** Indication of: dmd, THD% or Max.
- 10** Indicates that all the instant values displayed are system values.
- 11** Phase sequence error alarm.
- 12** Instrument programming enabled.
- 13** Instrument programming disabled.
- 14** Data transmission (TX) and reception (RX), via network communication, in progress.

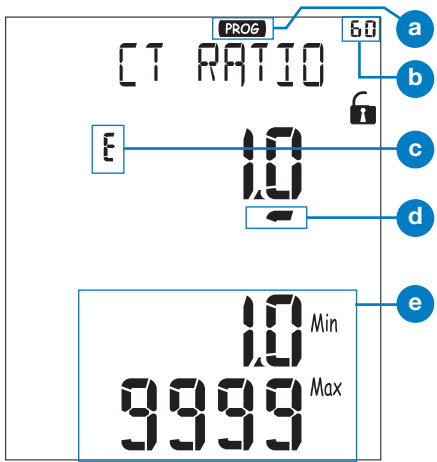
ICONS OF THE DISPLAY



ALARM SETPOINT	
Up alarm.	Down alarm.

Notes: the display is backlit with lighting time programmable from 0 minutes (always on) to 255 minutes.

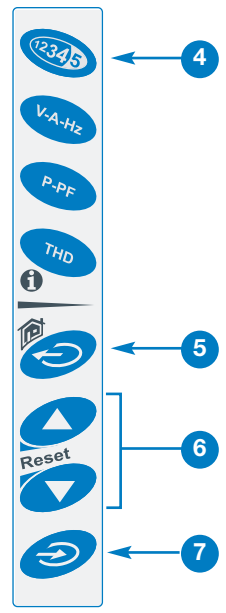
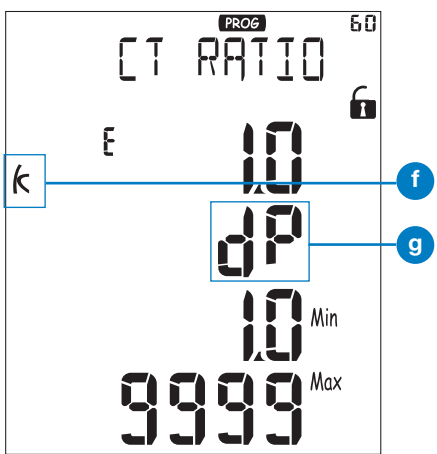
01



02



03



HOW TO SET THE VALUES

With WM30 the values setting is even more simple, it is possible to increase or decrease every single digit, it is possible to easily obtain the wished value or change directly from one multiplier to another one. Example: use of the menu relevant to the current ratio.

01 During the programming phase the instrument provides useful information:

- a** recognition of the programming mode;
- b** identifier number of the menu (see also the programming flow chart);
- c** edit, identification of the line subject to set;
- d** cursor that identifies the digit subject to set;
- e** maximum and minimum limit of selectable variable.

02 Use the keys **6** to increase and decrease the digit detected by the cursor (**d**). To set another digit move the cursor to match the wished digit using the key **4**, every key press corresponds to a left shifting of the cursor (**d**).

03 When the last digit on the left is matched by the cursor (**d**), a further press of the key **4** allows to change the decimal point and the multiplier (**f**) (k o M), the blinking "dP" (decimal point) text (**g**) identifies that the instrument is able to do this function. To modify the decimal point position and the multiplier use the keys **6** to have the wished value.

To confirm the set value press the key **7**.
To cancel the operation in progress and come back to the starting condition press the key **5**.
To cancel the operation in progress and come back to the measuring "Home" page, press and keep pressing the key **5** at least 2 seconds.

Selection	Application	Note
A	Cost allocation	Imported energy metering
B	Cost control	Imported and partial energy metering
C	Complex cost allocation	Imported/exported energy (total and partial)
D	Solar	Imported and exported energy metering with some basic power analyzer function
E	Complex cost and power analysis	Imported/exported energy (total and partial) and power analysis
F	Cost and power quality analysis	Imported energy and power quality analysis
G	Advanced energy and power analysis for power generation	Complete energy metering and power quality analysis

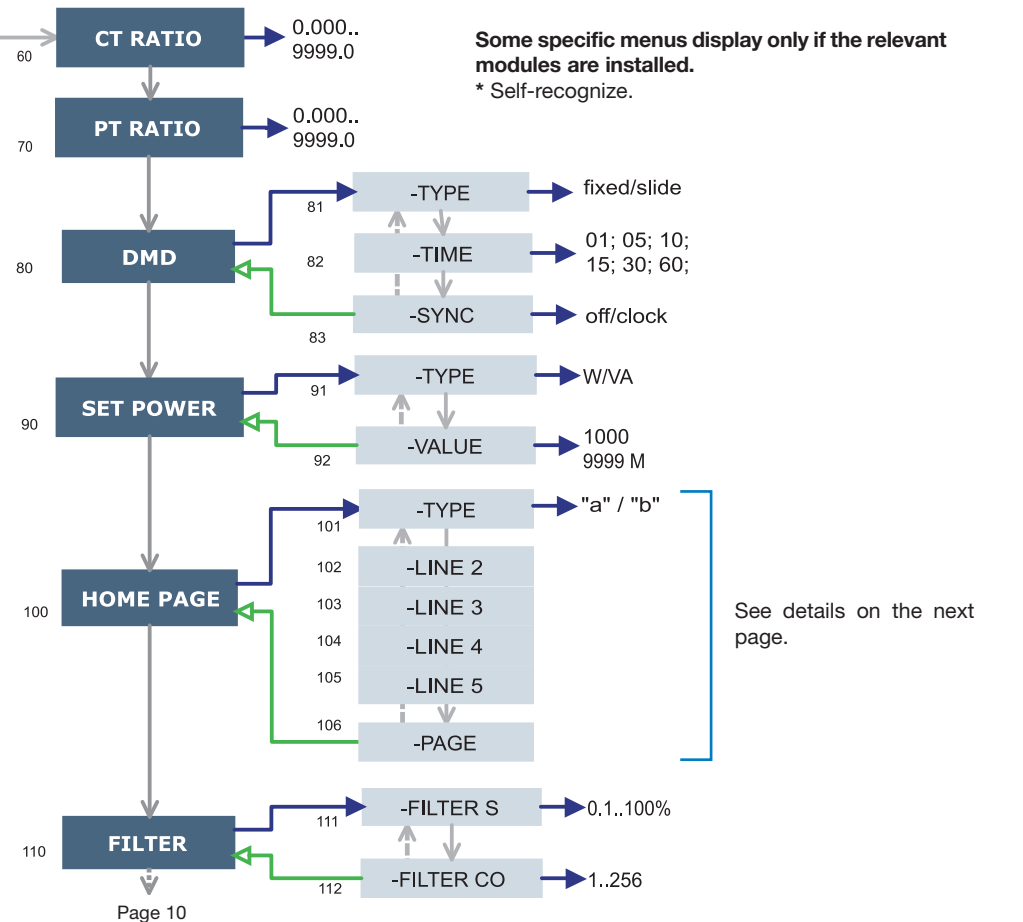
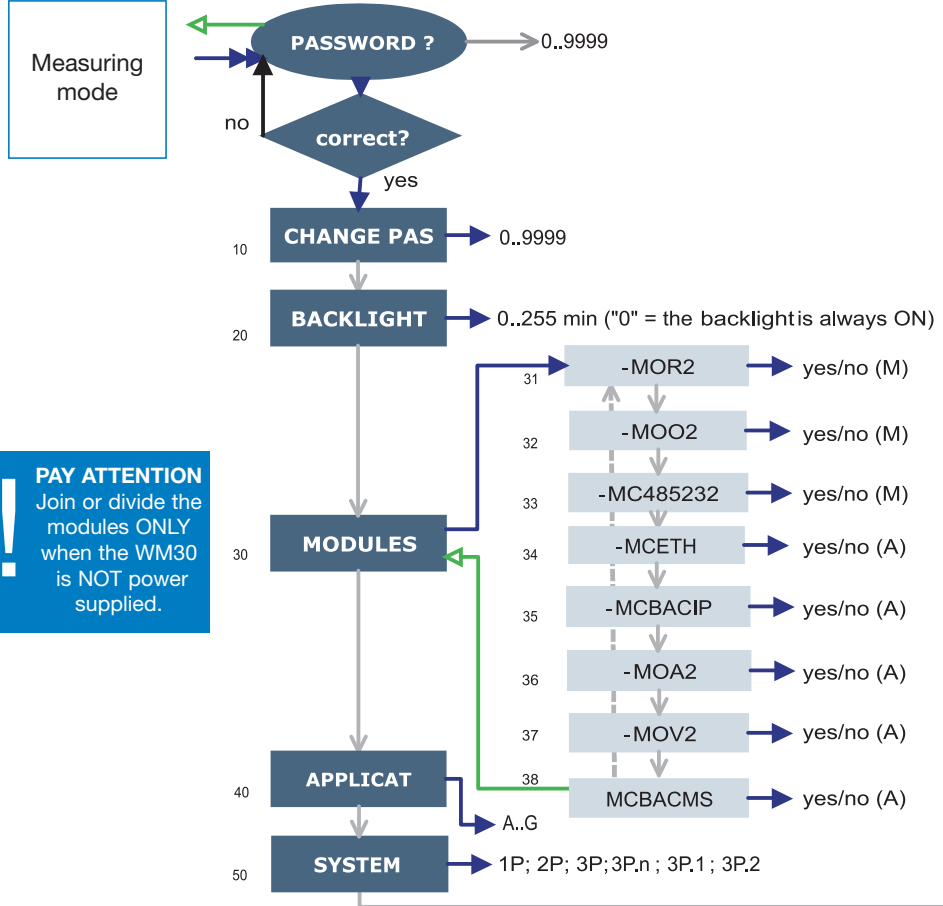
NOTE

WM30-96 is provided with the “Easy-prog” function which enables a simple, quick, clear and immediate visualization of the instrument measurements, making available only specific variables depending on the application of the instrument. The available applications are described above.

To leverage all the capacities of the instrument, select the application G which enables a complete and detailed analysis of the electric energy.

No	Line 1	Line 2	Line 3	Line 4	Line 5	Note	Applications						
							A	B	C	D	E	F	G
1	Lot n. xxxx	Yr. xx	rEL	A.01	1...60 (min) "dmd"		x	x	x	x	x	x	x
2	Conn. xxx.x (3ph.n/3ph/3ph./3ph.2/1ph/2ph)	CT.rA	1.0 ... 99.99k	Pt.rA	1.0...9999		x	x	x	x	x	x	x
3	LED PULSE kWh	0.001 to 1000 kWh per pulse					x	x	x	x	x	x	x
4	PULSE OUT1 kWh/kvarh	0.001 to 1000 kWh/kvarh per pulse	+/- tot/PAr				x	x	x	x	x	x	x
5	PULSE OUT2 kWh/kvarh	xxxx kWh/kvarh per pulse	+/- tot/PAr				x	x	x	x	x	x	x
6	Remote out	out1	on/oFF	Out2	on/oFF		x	x	x	x	x	x	x
7	AL1	variable	Set 1	Set 2	(measurement)					x	x	x	x
8	AL2	variable	Set 1	Set 2	(measurement)					x	x	x	x
9	AL3	variable	Set 1	Set 2	(measurement)					x	x	x	x
10	AL4	variable	Set 1	Set 2	(measurement)					x	x	x	x
11	ANALOGUE 1	Hi.E	0.0 ... 9999k	Hi.A	0.0 ... 100.0%					x	x	x	x
12	ANALOGUE 2	Hi.E	0.0 ... 9999k	Hi.A	0.0 ... 100.0%					x	x	x	x
13	COM port	Add XXX	1...247	bdr	9.6/19.2/ 38.4/115.2		x	x	x	x	x	x	x
14	IP ADDRESS	XXX	XXX	XXX	XXX		x	x	x	x	x	x	x
15	XX•XX•XXIXX:XX	dAtE	tiME				x	x	x	x	x	x	x





NOTE

10 CHANGE PAS: this function allows the user to modify the PASS value with a new value (from 0 to 9999).

20 BACKLIGHT: backlight time from 0 (always on) to 255 minutes.

30 MODULES: the WM30 96 supports either automatic (A) or manual (M) acknowledgment of the installed modules depending on the kind of module.

40 APPLICAT: this function which enables a simple, quick, clear and immediate visualization of the instrument measurements, making available only specific variables (page 4/5) depending on the application of the instrument.

50 SYSTEM: this function allows the user to select the type of electrical system.

60 CT RATIO: this function allows the user to select the value of the CT ratio (primary/secondary ratio of the current transformer being used). Example: if the CT primary (current transformer) has a current of 300A and the secondary a current of 5A, the CT ratio corresponds to 60 (obtained using the following calculation: 300/5).

70 PT RATIO: this function allows you to select the value of the VT-PT ratio (primary/secondary ratio of the voltage transformer being used). Example:

if the primary of the connected VT (voltage transformer/potential transformer) is 20kV and the secondary is 100V, then the VT-PT ratio corresponds to 200 (obtained carrying out the following calculation: 20000/100).

80 DMD: This function allows the user to select the calculation method of the DMD/AVG value of the selected variable. 81 TYPE: select the type of calculation mode to be used for the DMD/AVG calculation FIXED: if, for example, a time interval of 15 minutes has been selected, the instrument will calculate the AVG/DMD value of the measured variable and updates its value every 15 minutes, after that resets and starts a new calculation. SLIDE: if for example a time interval of 15 minutes has been selected, the instrument calculates the AVG/DMD value and updates its value at the beginning after the first 15 values and then after every minute, thus generating a window whose width is of 15 minutes and that moves forward every minute. 82 TIME: select the time interval for the DMD/AVG calculation 83 SYNC: select the synchronization mode, that is the method that controls the calculation method of the average/demand according to the

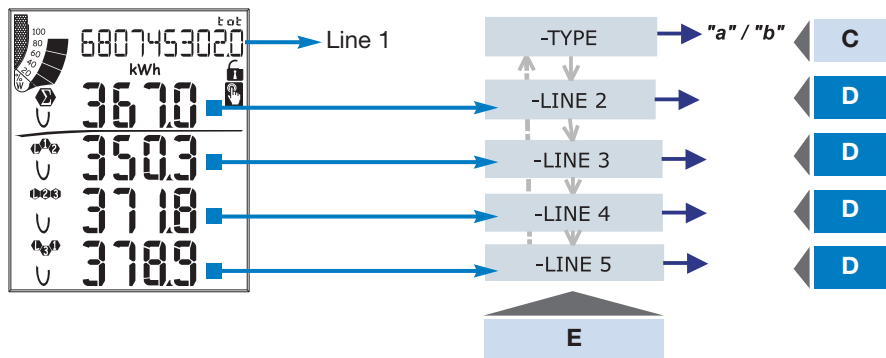
selected time.

90 SET POWER: This menu allows you to set a power value (installed power) that, in the measuring phase, will represent 100% of the graph indicator.

100 HOME PAGE: This function allows the user to select the variables to be displayed on first page (home page). 101 TYPE: A, you can select the variable for each row. B, you can select a preset combination of variables (see relevant chapter to next page). 106 PAGE: select a preset series of variables (see relevant chapter to next page).

110 FILTER: with the digital filter it's possible to stabilize the measurements which are too instable when displaying the relevant values. 111 FILTER S: set the operating range (span) of the digital filter. The value is expressed as a % (filter to 0.0 means filter excluded). 112 FILTER CO: set the filtering coefficient of the instantaneous measures. By increasing the value, also the stability and the settling time of the measures are increased.

Some specific menus display only if the relevant modules are installed.



How to customize the home page of WM30-96

Menu "101 TYPE":

"a", you can select a "system" variable for each line.

"b", you can select a preset combination of variables which is split in line 2 (a system variable) and line 3 to 5 (single phase variables) .

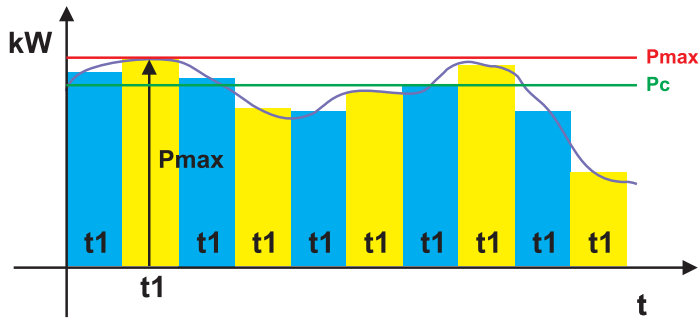
Moreover, the selectable variables depend on the selected electric system, if 1P (one phase) system is selected, the available variables are different.

Note: when the B type is selected all the A selections on line 3, 4 and 5 are irrelevant.

E	C	D											
	Type Selection	0	1	2	3	4	5	6	7	8	9	10	11
Line 2	Type "a"	An	WΣ	varΣ	VAΣ	PFΣ	Hz	An	An	An	An	An	An
	Type "a" with System 1P	V	A	W	var	VA	PF	Hz	V	V	V	V	V
	Type "b"	Select one of the preset combination of variables											
	Type "b" with System 1P	Select one of the preset combination of variables											
Line 3	Type "a"	An	WΣ	varΣ	VAΣ	PFΣ	Hz	An	An	An	An	An	An
	Type "a" with System 1P	V	A	W	var	VA	PF	-	-	-	-	-	-
Line 4	Type "a"	VL-LΣ	An	WΣ	varΣ	VAΣ	PFΣ	Hz	-	-	-	-	-
	Type "a" with System 1P	V	A	W	var	VA	PF	Hz	-	-	-	-	-
Line 5	Type "a"	VL-LΣ	An	WΣ	varΣ	VAΣ	PFΣ	Hz	-	-	-	-	-
	Type a with System 1P	V	A	W	var	VA	PF	Hz	-	-	-	-	-

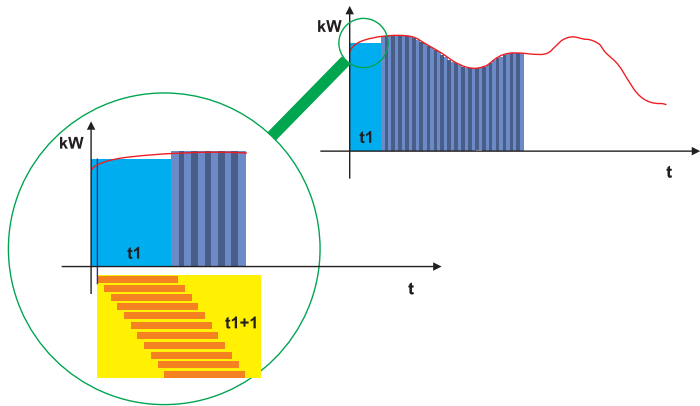
E	D											
	0	1	2	3	4	5	6	7	8	9	10	11
Line 2	-	V LN Σ	V LN Σ	An	Hz	VA Σ	var Σ	W Σ	PF Σ	-	-	-
Line 3	-	V L1	V L1-2	A L1	"ASY"	VA L1	var L1	W L1	PF L1	THD V1	THD V12	THD A1
Line 4	-	V L2	V L2-3	A L2	VLL sys (% asy)	VA L2	var L2	W L2	PF L2	THD V2	THD V23	THD A2
Line 5	-	V L3	V L3-1	A L3	VLL sys (% asy)	VA L3	var L3	W L3	PF L3	THD V3	THD V31	THD A3

E	D											
	0	1	2	3	4	5	6	7	8	9	10	11
Line 2			V				VA				THD_V	
Line 3			A				VAR				THD_A	
Line 4			Hz				W				-	
Line 5			-				PF				-	

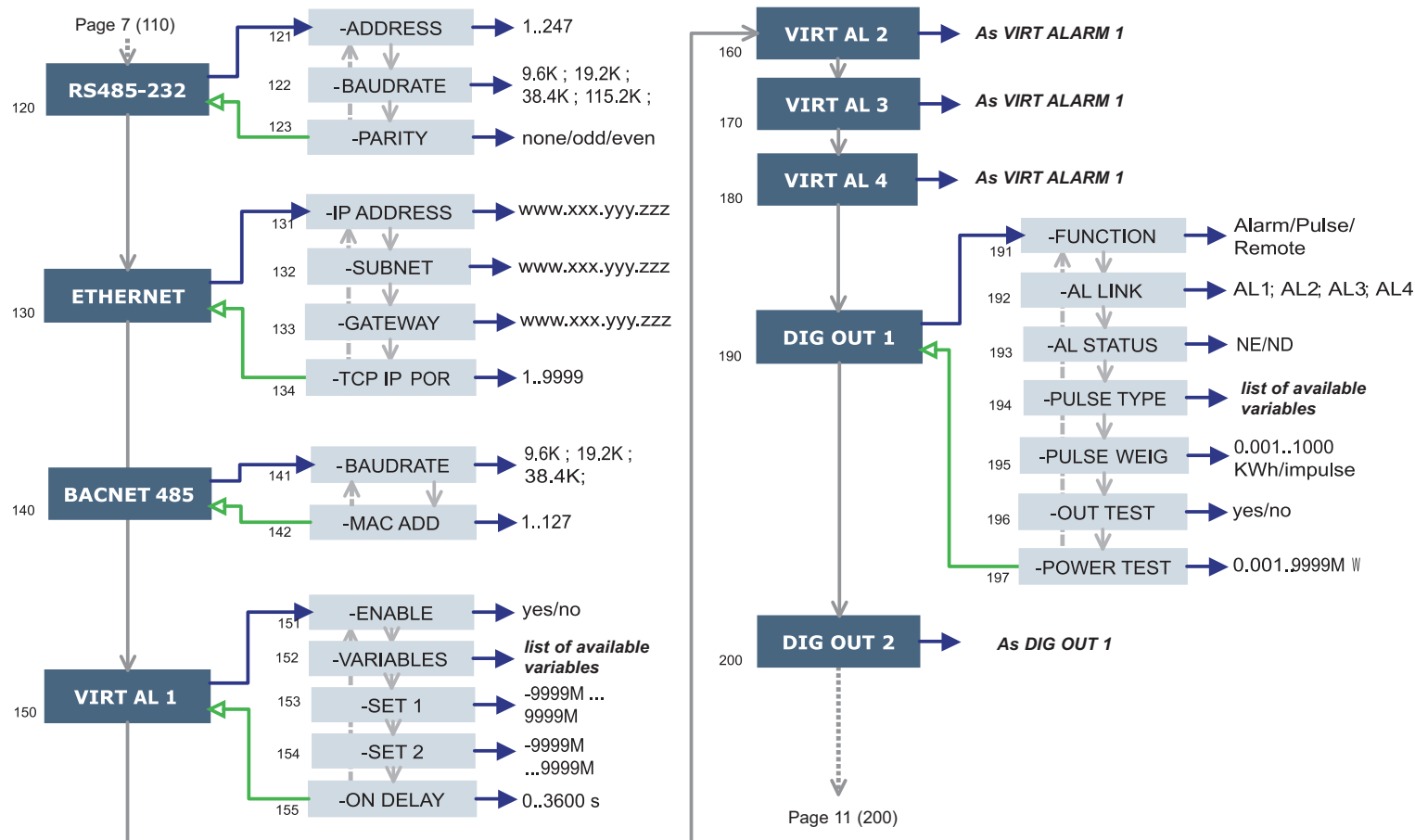


Where:
Pmax is the maximum power,
Pc is the contractual power,
t1 is the selected time period for the calculation of the AVG/DMD value.

FIXED SELECTION: if, for example, a time interval of 15 minutes has been selected, the instrument will calculate the AVG/DMD value of the measured variable and updates its value every 15 minutes.



SLIDING SELECTION: if for example a time interval of 15 minutes has been selected, the instrument calculates the AVG/DMD value and updates its value at the beginning after the first 15 values and then after every minute, thus generating a window whose width is of 15 minutes and that moves forward every minute.



Key-pad



NOTE

120 RS232-485: This function allows the user to set the RS232 and RS485 serial communication ports (MC232485 module).

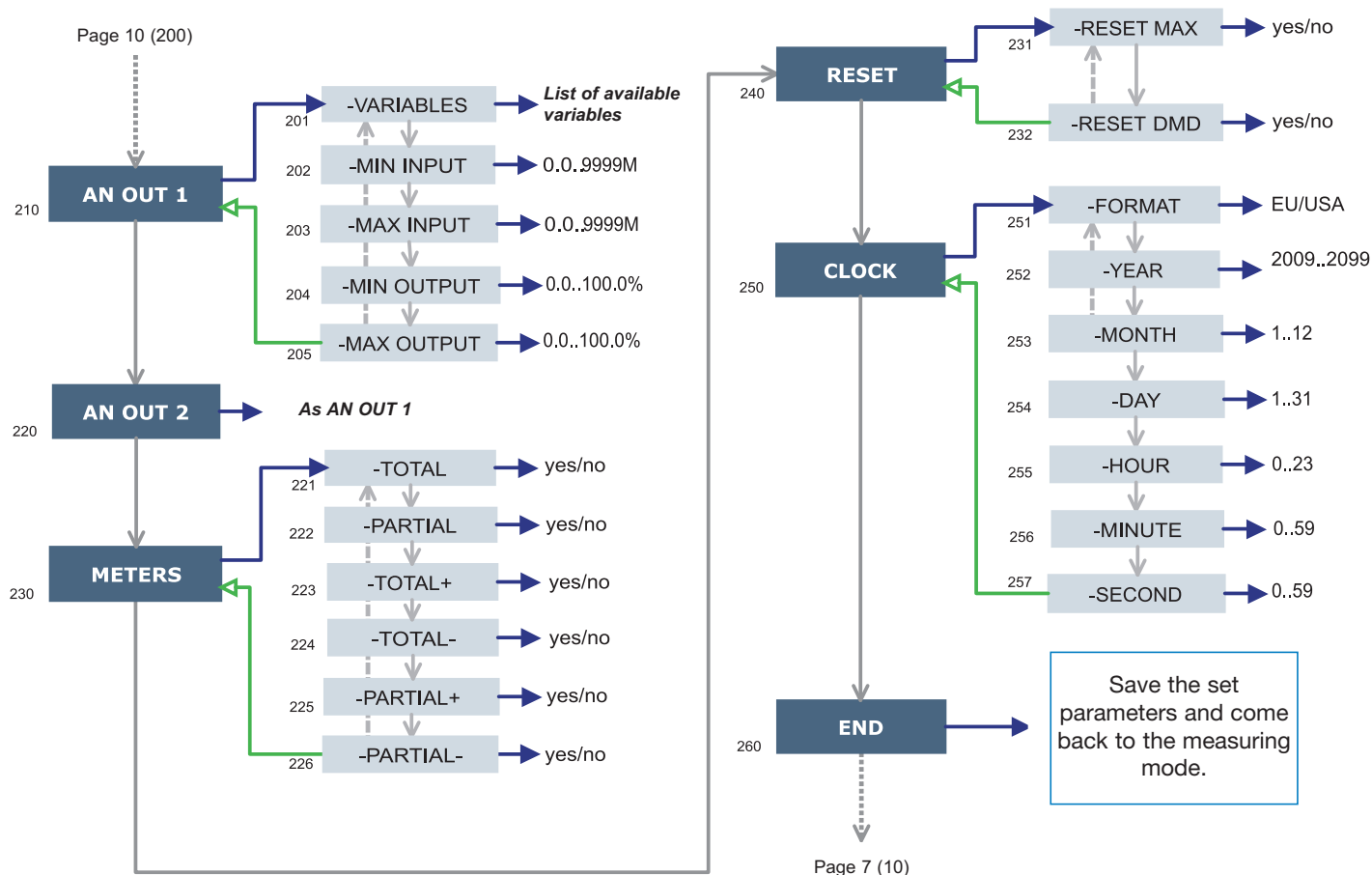
130 ETHERNET: This function allows the user to set the Ethernet communication port. In case of BACnet IP port, the BACnet instance number can only be programmed by WM3040Soft programming software.

140 BACNET 485: This function allows the user to set the BACnet MS/TP parameters. The BACnet instance number can only be programmed by WM3040Soft programming software.

150 VIRT AL 1: This function allows you to set the alarm parameters. 151 ENABLE: enable (YES) or disable (NO) the alarm. 152 VARIABLES: set the variable to be linked to the alarm. 153 SET 1: set the on alarm set point of the variable. 154 SET 2: set the off alarm set point of the variable. 155 ON DELAY: set a delay on activation of the alarm.

190 DIG OUT 1: This function allows to link a virtual alarm to the digital output and to its working parameters. 191 FUNCTION: Alarm, the digital output is enabled only if the expected alarm status occurs. Pulse, the measured energy is retransmitted by the digital output by means of pulses. Remote, the digital output can be enabled through a command sent by means of serial communication port. 192 AL LINK: select the virtual alarm to which it has to be linked. 193 AL STATUS: "ND" (normally de-energized relay) or "NE" (normally energized relay) 195 PULSE WEIG: selects the pulse weight (kWh per pulse). 196 OUT TEST: enables the TEST (YES), disables the TEST (NO). 197 POWER TEST: sets the simulated power value (kW) to which a proportional pulse sequence according to "PULSE WEIG" corresponds. The function is active until you remain within the menu and it is used when the output is connected to a PLC.

Some specific menus display only if the relevant modules are installed.



Key-pad



NOTE

210 AN OUT 1: this submenu allows the programming of the analogue outputs (0-20mA, 0-10V). **211 VARIABLES:** select the variable to be retransmitted by means of the analog output. **212 MIN INPUT:** minimum value of the variable input range to which the "MIN OUTPUT" value, retransmitted by the analogue output, will be linked. **213 MAX INPUT:** maximum value of the variable input range to which the "MAX OUTPUT" value, retransmitted by the analogue output, will be linked. **214 MIN OUTPUT:** set the value expressed as % of the output range (0-20mA, 0-10V) to be linked to the minimum measured value. **215 MAX OUTPUT:** select the value expressed as % of the output range (0-20mA, 0-10V) to be linked to the maximum measured value.

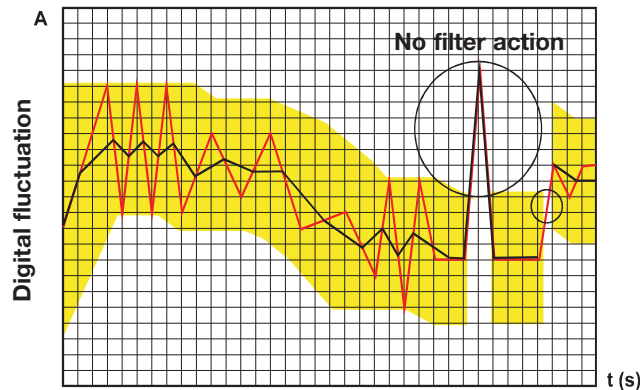
230 METERS: reset the ENERGY METERS choosing among: TOTAL, PARTIAL: resets all energy meters, both total and partial. TOTAL +: resets the total meters of imported energy. TOTAL -: resets the total meters of exported energy. PARTIAL +: resets the partial meters of imported energy.

PARTIAL -: resets the partial meters of exported energy.

240 RESET: carry out the reset of the MAX or dmd stored values.

250 CLOCK, 241 **FORMAT:** UE, set the European time format as 24h (00:00) or the USA set the American time format as 12h (12:00 AM/PM). 252 **YEAR:** set the current year. 253 **MONTH:** set the current month. 254 **DAY:** set the current day. 255 **HOUR:** set the current hour. 256 **minute:** set the current minute. 257 **SECOND:** set the current second.

Some specific menus display only if the relevant modules are installed.



WHAT IS THE ACTION OF THE DIGITAL FILTER PARAMETERS ON THE MEASURE?

The first filter parameter is **FILTER S** and defines the operating range of the filter. This operating range is represented as a yellow band in figure on left side (each small square is one digit). Until the measured value (red curve in figure) is within this band, the filter is active; as soon as the value is external, the filter is deactivated and a new band will be active around the new value.

The range of the fluctuation (in digit) is a good starting value for such parameters.

The suggestion to set this parameter is to look at the size of the fluctuation (in digit) and use this value.

The second parameter is **FILTER CO** and represents the filtering coefficient. The higher is **FILTER CO**, the smoother is the curve of the displayed values (black in figure). There is not a theoretical rule to define this parameter, it is to be set on the field: however a rough suggestion is to start with the same value of the **FILTER S** coefficient and then increase it until the desired stability is reached.

The digital filter affects the values retransmitted both via serial communication and analogue output.

DIGITAL FILTER PROGRAMMING EXAMPLES

Example 1

How to stabilize the value of the VL-N variable displayed on the display, fluctuating from 222V and 228V.

The parameters of the digital filter have to be programmed as follows:

FILTER S: the variable has fluctuations within the mean value whose amplitude is equal to $\pm 0,75\%$ of the full scale rated value of the variable itself (obtained by the following calculation: $(228-222)/2 = \pm 3V$, then $\pm 3 \cdot 100/400V = \pm 0,75\%$ where 400V is the phase-neutral rated value of an AV5 input). The "range" parameter, representing the action range of the digital filter, is to be programmed to a value which must be slightly higher than the percentage amplitude of the fluctuation: ex. 1.0%.

FILTER CO: if the new value measured by the instrument is within the action range of the filter, the new displayed value is obtained by adding algebraically the previous value to the variation divided by the filtering coefficient. As a consequence, a value higher than this coefficient implies a longer settling time and therefore a better stability. You generally obtain the best result by setting the filtering coefficient to a value equal to at least 10 times the range parameter value.

In the following example: $1,0 \cdot 10 = 10$, the stability of the filtering coefficient can be improved by increasing the filtering coefficient, the allowed values are included within 1 and 255.

Example 2

How to stabilize the value of the displayed System Active Power ($W\Sigma$), fluctuating between 300kW and 320kW (the load is connected to the instrument by means of a 300/5A CT and a direct measure of the voltage).

The parameters of the digital filter must be programmed as follows:

FILTER S: the variable has fluctuations within the mean value whose amplitude is equal to $\pm 2,78\%$ of the full scale rated value of this variable. This value is obtained by the following calculation: $(320-300)/2 = \pm 10kW$, then $\pm 10 \cdot 100/360kW = \pm 2,78\%$, where 360kW is the rated value of the System Active Power of an AV5 input, at the above mentioned CT and VT ratios and obtained by means of the following formula: "VLN * VT * IN * CT * 3" where VLN = rated input voltage (400V for the AV5 input), VT = primary/secondary ratio of the voltage transformer being used, IN = rated current (5A for the AV5 type input), CT = primary/secondary ratio of the voltage transformer being used (in this example "400*1*5*60*3=360kW"). The RANGE parameter, representing the digital filtering coefficient action range, is to be programmed to a value which must be slightly higher than the percentage of the fluctuation: eg. 3.0%.

FILTER CO: if the new value acquired by the instrument is within the filtering action range, the new displayed value is obtained by adding algebraically the previous value to the variation divided by the filtering coefficient. As a consequence, a value higher than this coefficient implies a higher settling time and therefore a better stability. Generally speaking the best result is obtained setting the filtering coefficient to a value equal to at least 10 times the value of the range parameters. In the example: $3,0 \cdot 10 = 30$. In order to improve the stability you can increase the filtering coefficient, the admitted values are included within 1 and 255.

Example 3.

It's necessary to stabilize the value of the displayed variable AL 1 (phase current 1), fluctuating within 470V and 486V.

To be able to manage the alarm function and activation and deactivation of the relay, this value is not to be subject to continuous fluctuations. In this example we have considered using a 500/5A CT. The parameters of the digital filter is to be programmed as follows:

FILTER S: the variable has fluctuations within the mean value whose amplitude is equal to $\pm 1,60\%$ of the full scale rated value of this variable (obtained by means of the calculation: $(486-470)/2 = \pm 8A$, then $\pm 8 \cdot 100/500A = \pm 1,60\%$ where 500A is the value referred to the primary of the transformer being used). The "range" parameter, which represents the action range of the digital filter, is to be programmed to a value slightly higher than the percentage amplitude of the fluctuation: for example 2.0%.

FILTER CO: if the new value acquired by the instrument is within the filtering action range, the new displayed value is calculated algebraically adding to the previous value the variation divided by the filtering coefficient. As a consequence, a higher value of this coefficient implies a higher settling time and therefore a better stability. Generally speaking, the best result is obtained setting the filtering coefficient at a value equal to at least 10 times the value of the range parameter. In the example: $2,0 \cdot 10 = 20$. To improve the stability you can increase the filtering coefficient, the admitted values are within 1 and 255.

PROGRAMMING EXAMPLES OF THE ANALOGUE OUTPUTS

Power retransmission by means of a 0-20mA analogue output.

It's necessary to measure a consumed power up to 100kW and retransmit this value by means of a signal from 4 to 20 mA: the module to be used is MOV2 (2x from 0 to 20mA), the instrument is to be programmed as follows:

VARIABLE: $W\Sigma$ (system active power).

MIN OUT: 20.0% means 4 mA. The calculation to be carried out is the following: $(100 \cdot \text{minimum output}) / \text{fullscale output} = 100 \cdot 4\text{mA} / 20\text{mA} = 20\%$.

MAX OUT: 100.0% means 20mA. The calculation to be carried out is: $(100 \cdot \text{maximum output}) / \text{fullscale output} = 100 \cdot 20\text{mA} / 20\text{mA} = 100$.

MIN INPUT: 0,0k; the multiple k, M, G can be selected on the instrument according to the chosen VT and CT values.

MAX INPUT: 100.0k; the k, M, G multiples can be selected on the instrument according to the selected VT and CT values.

Retransmission of the POWER FACTOR (PF) by means of the 0-20mA analog output.

It's necessary to retransmit the whole range of the allowed values for the PF with a signal from 0 to 20mA. Particular attention must be paid to the value of the PF variable which may vary from C0,001 and L0,000 (for each phase): these values will be retransmitted and will then correspond to 0 and 20 mA. When the PF will have a value equal to 1, being in the middle between C0,001 and L0,000, the value of the output will correspond to the middle of the scale, that is 10mA. As a consequence, the instrument will have to be programmed as follows:

VARIABLE: PF L1 (or L2 or L3 or $PF\Sigma$).

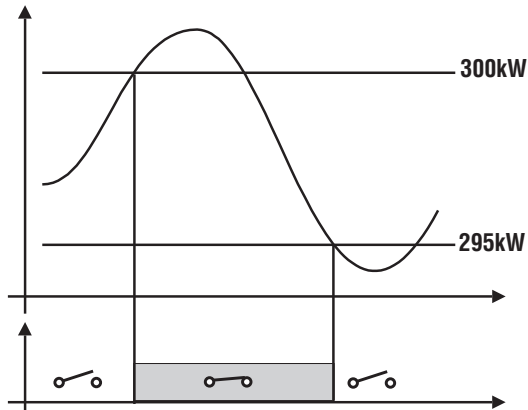
MIN OUT: 0,0%.

MAX OUT: 100,0%.

MIN INPUT: C0,001 (the C symbol shows a CAPACITIVE value).

MAX INPUT: L0,001 (the L symbol shows an INDUCTIVE value). L0,001 has been chosen as minimum value to be set in order to avoid any undesirable swifiting of the repeated outputs.

EXAMPLE OF ALARM PARAMETERS PROGRAMMING



It is required the disconnection of a load when a set value of absorbed power occurs. For example when 300kW are exceeded, the alarm occurs and the set load is disconnected.

An "UP" alarm is selected, below you'll find the recommended programming:

ENABLE: YES

VARIABLES: W system ($W\Sigma$)

SET POINT 1: 300kW

SET POINT 2: 295kW

ON DELAY: set the desired number of seconds: "5 seconds".



www.gavazzi-automation.com

Control

Instruction Manual Base Instrument

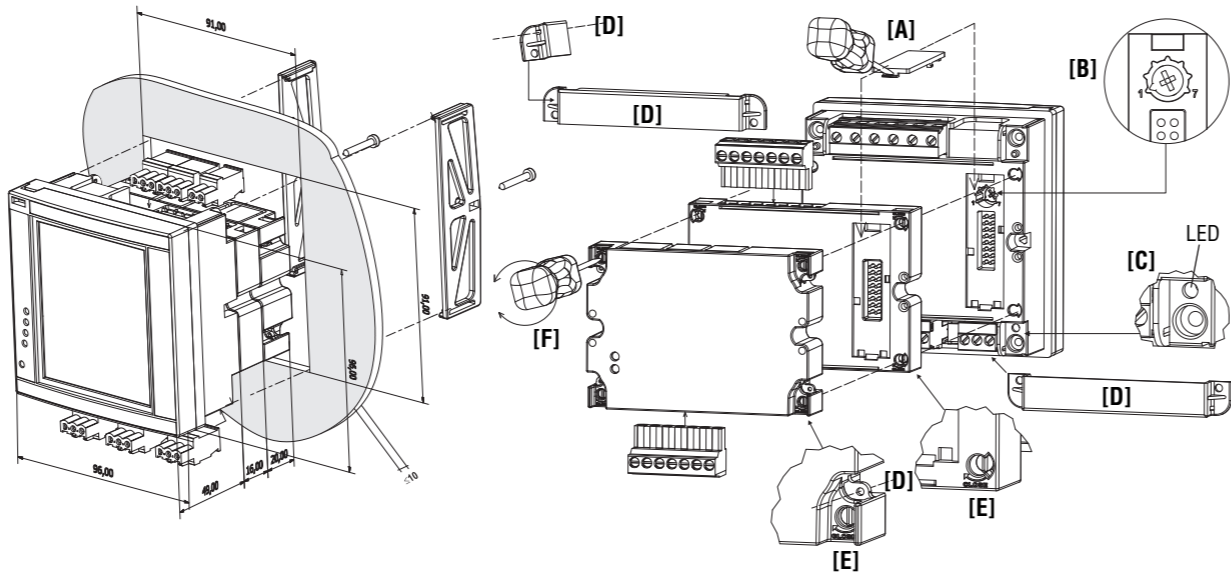
Thank you
for choosing our products.

Grazie
per aver scelto i nostri prodotti.

Wir danken
Ihnen dafür, dass Sie unsere
Produkte gewählt haben.

Gracias
por elegir nuestros productos.

Merci
d'avoir choisi nos produits.



ENGLISH

Read carefully the instruction manual. If the instrument is used in a manner not specified by the producer, the protection provided by the instrument may be impaired. **Maintenance:** make sure that the connections are correctly carried out in order to avoid any malfunctioning or damage to the instrument. To keep the instrument clean, use a slightly damp cloth; do not use any abrasives or solvents. We recommend to disconnect the instrument before cleaning it.



WARNING: to make sure that the screw tightening torque is 0.5Nm. ALL THE MOUNTING AND DISASSEMBLY OPERATIONS OF THE INSTRUMENT AND MODULES HAVE TO OCCUR WHEN POWER SUPPLY AND THE LOADS ARE NOT CONNECTED.

Preliminary operations: if necessary remove the protection cover of the contacts [A], using a properly screwdriver.

Lock the programming and LED of power supply on: to lock the acces to the programming of the instrument turning (clockwise) the rotary switch [B] to position 7. To unlock the programming come-back the rotary switch to the position 1. The green LED [C] on warns that the instrument is power supplied.

The instrument and modules sealing: to lock the modules turning (clockwise) the properly fixing elements on the corners [E], using a properly screw-driver [F]. To seal the instrument use the dedicated covers and holes [D].

WIRING DIAGRAMS

- [1] 3-ph, 2-wire, balanced load, 1-CT connection.
- [2] 3-ph, 2-wire, balanced load, 1-CT and 1-VT/PT connections
- [3] 3-ph, 4-wire, unbalanced load, 3-CT connection
- [4] 3-ph, 3-wire, balanced load, 1-CT and 3-VT/PT connections
- [5] 3-ph, 4-wire, unbalanced load, 3-CT and 3-VT/PT connections
- [6] 3-ph, 3-wire, unbalanced load, 3-CT connection
- [7] 3-ph, 3-wire unbalanced load, 3-CT and 2-VT/PT connections
- [8] 3-ph, 3-wire, balanced load, 1-CT connections
- [9] 3-ph, 3-wire, unbalanced load, 2-CT connections (ARON)
- [10] 3-ph, 3-wire, balanced load, 1-CT and 2-VT/PT connections
- [11] 2-ph, 3-wire, 2-CT connection
- [12] 2-ph, 3-wire, 2-CT and 2-VT/PT connections
- [13] 1-ph, 2-wire, 1-CT connection
- [14] 1-ph, 2-wire, 1-CT and 1-VT connections
- [15] 3-ph, 3-wire, unbalanced load, 2-CT and 2-VT/PT connections ARON
- [16] Power supply 90 to 260VAC/DC. F=250V [T] 630mA.
Power supply 18 to 60VAC/DC. F=250V [T] 3.15A.

ITALIANO

Leggere attentamente il manuale di istruzioni. Qualora l'apparecchio venisse adoperato in un modo non specificato dal costruttore, la protezione prevista dall'apparecchio potrebbe essere compromessa. **Manutenzione:** Per mantenere pulito lo strumento usare un panno inumidito; non usare abrasivi o solventi. Si consiglia di scollegare lo strumento prima di eseguire la pulizia.



ATTENZIONE: assicurarsi che la coppia di serraggio applicata alle viti dei morsetti sia di: 0,5Nm. TUTTE LE OPERAZIONI DI MONTAGGIO E SMONTAGGIO DELLO STRUMENTO E DEI MODULI VANNO ESEGUITE CON ALIMENTAZIONE E CARICO SCOLLEGATI.

Operazione preliminare: smontare, se necessario, la finestra di protezione

dei contatti [A], utilizzando un apposito cacciavite a taglio.

Blocco della programmazione e LED di presenza alimentazione: per bloccare la programmazione dello strumento agire (ruotandolo in senso orario) sul commutatore rotante [B] portandolo nella posizione 7, per sbloccare la programmazione portarlo nella posizione 1. Il LED verde acceso [C] avvisa che lo strumento è alimentato.

Sigillatura dei moduli e dello strumento: per bloccare i moduli agire (ruotandoli in senso orario) sugli appositi elementi di fissaggio posti agli angoli dei moduli stessi [E], utilizzando un adeguato cacciavite a taglio [F]. Il sigillo va apposto utilizzando i fori e i copri morsetti dedicati [D].

COLLEGAMENTI ELETTRICI

- [1] 3 fasi, 2 fili, carico equilibrato, connessione con 1 TA
- [2] 3 fasi, 2 fili, carico equilibrato, connessione con 1TA e 1 VT
- [3] 3 fasi, 4 fili, carico squilibrato, connessione con 3 TA
- [4] 3 fasi, 3 fili, carico equilibrato, connessione con 1 TA e 3 VT
- [5] 3 fasi, 4 fili, carico squilibrato, connessione con 3 TA e 3 VT
- [6] 3 fasi, 3 fili, carico squilibrato, connessione con 3 TA
- [7] 3 fasi, 3 fili, carico squilibrato, connessione con 3 TA e 2 VT
- [8] 3 fasi, 3 fili, carico equilibrato, connessione con 1 TA
- [9] 3 fasi, 3 fili, carico squilibrato, connessione con 2 TV (ARON)
- [10] 3 fasi, 3 fili, carico equilibrato, connessione con 1 TA e 2 VT
- [11] 2 fasi, 3 fili, connessioni con 2 TA
- [12] 2 fasi, 3 fili, connessioni con 2 TA e 2 VT
- [13] 1 fase, 2 fili, connessione con 1TA
- [14] 1 fase, 2 fili, connessione con 1 TA e 1 VT
- [15] 3 fasi, 3 fili, carico squilibrato, connessione con 2 TA e 2 TV (ARON)
- [16] Alimentazione da 90 a 260VCA/CC. F=250V [T] 630mA.
Alimentazione da 18 a 60VCA/CC. F=250V [T] 3.15A.

DEUTSCH



Die Betriebsanleitung aufmerksam lesen. Sollte das Gerät nicht gemäss der Herstellerangaben verwendet werden, könnte der vom Gerät vorgesehene Schutz beeinträchtigt werden.

Wartung: Das Gerät mit einem feuchten Tuch reinigen; keine Scheuer- oder Lösemittel verwenden. Das Gerät vor der Reinigung ausschalten

ACHTUNG: Darauf achten, dass das Anzugsmoment der Klemmschrauben 0,5Nm beträgt. SOWOHL BEI DER MONTAGE, ALS AUCH BEIM AUSBAU DES GERÄTES UND DER MODULE MÜSSEN STROMVERSORGUNG UND STROMLAST STETS VORHER ABGETRENNT WERDEN.

Vorbereitung: Gegebenenfalls das Schutzfenster der Kontakte [A] mit einem Schlitzschraubenzieher entfernen.

Programmierungssperre und LED Stromversorgung vorhanden: Um die Programmierung des Gerätes zu sperren, den Drehschalter [B] im Uhrzeigersinn auf Position 7 drehen, für die erneute Freigabe auf Position 1. Das Leuchten der grünen LED [C] zeigt an, dass das Gerät mit Strom versorgt wird.

Versiegelung der Module und des Geräts: Die Befestigung der Module erfolgt (durch Drehen derselben im Uhrzeigersinn) über die an den Ecken vorgesehenen Befestigungselemente [E], mit Hilfe eines passenden Schlitzschraubenziehers [F]. Das Siegel wird über die hierfür vorgesehenen Löcher und Klemmendeckel [D] angebracht.

ELEKTRISCHE ANSCHLÜSSE

- [1] 3 Phasen, 2 Adern, symmetrische Last, Anschluss mit 1 TA

- [2] 3 Phasen, 2 Adern, symmetrische Last, Anschluss mit 1 TA und 1 VT
- [3] 3 Phasen, 4 Adern, unsymmetrische Last, Anschluss mit 3 TA
- [4] 3 Phasen, 3 Adern, symmetrische Last, Anschluss mit 1 TA und 3 VT
- [5] 3 Phasen, 4 Adern, unsymmetrische Last, Anschluss mit 3 TA und 3 VT
- [6] 3 Phasen, 3 Adern, unsymmetrische Last, Anschluss mit 3 TA
- [7] 3 Phasen, 3 Adern, unsymmetrische Last, Anschluss mit 3 TA und 2 VT
- [8] 3 Phasen, 3 Adern, symmetrische Last, Anschluss mit 1 TA
- [9] 3 Phasen, 3 Adern, unsymmetrische Last, Anschluss mit 2 TV (ARON)
- [10] 3 Phasen, 3 Adern, symmetrische Last, Anschluss mit 1 TA und 2 TV
- [11] 2 Phasen, 3 Adern, Anschlüsse mit 2 TA
- [12] 2 Phasen, 3 Adern, Anschlüsse mit 2 TA und 2 VT
- [13] 1 Phase, 2 Adern, Anschluss mit 1 TA
- [14] 1 Phase, 2 Adern, Anschluss mit 1 TA und 1 VT
- [15] 3 Phasen, 3 Adern, unsymmetrische Last, Anschluss mit 2 TA und 2 TV (ARON)
- [16] Stromversorgung von 90 bis 260 VAC/DC. F=250V [T] 630mA.
Stromversorgung von 18 bis 60 VAC/DC. F=250V [T] 3.15A.

FRANÇAIS



Lire attentivement le manuel de l'utilisateur. Si l'appareil est utilisé dans des conditions différentes de celles spécifiées par le fabricant, le niveau de protection prévu par l'instrument peut être compromis.

Entretien: Pour nettoyer l'instrument, utiliser un chiffon humide; ne pas utiliser d'abrasifs ou de solvants. Il faut déconnecter le dispositif avant de procéder au nettoyage.

ATTENTION: s'assurer que le couple de serrage appliqué aux vis des bornes soit de : 0,5Nm. POUR TOUTES LES OPERATIONS DE MONTAGE ET DÉMONTAGE DE L'INSTRUMENT ET DES MODULES IL FAUT QUE L'ALIMENTATION ET LA CHARGE SOIENT DÉBRANCHÉES.

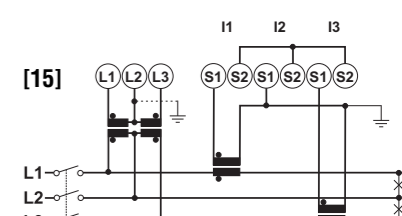
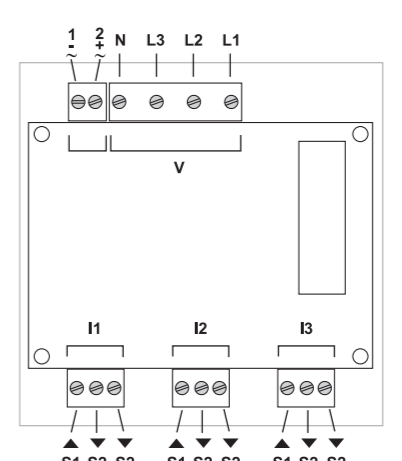
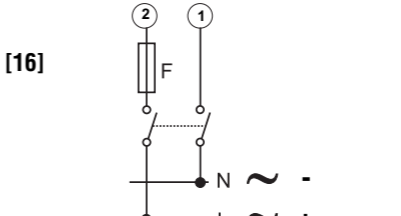
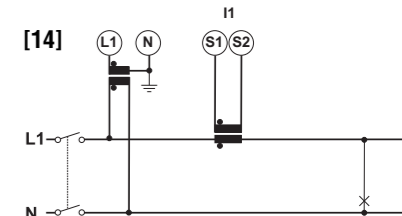
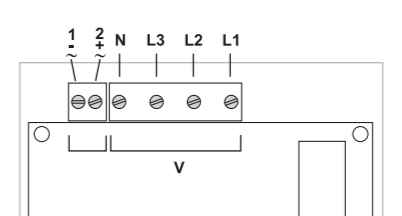
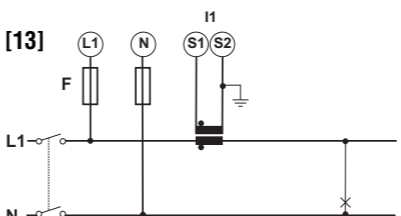
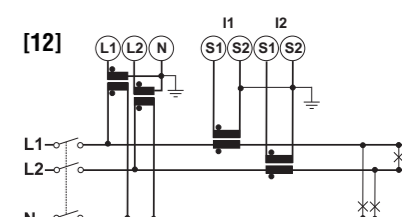
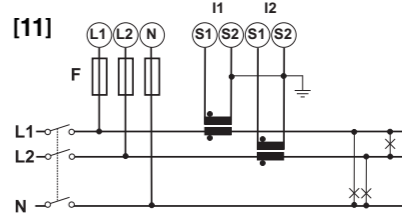
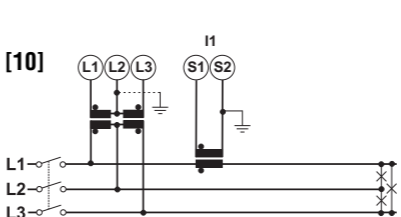
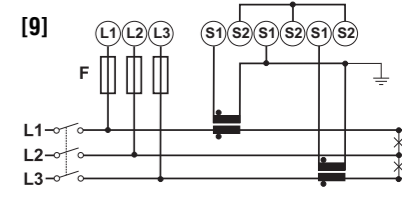
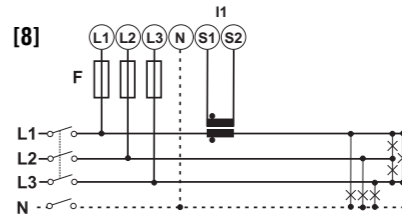
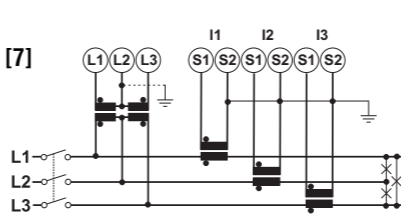
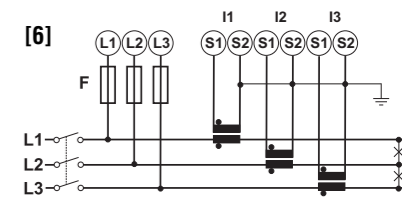
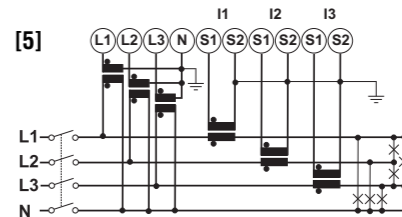
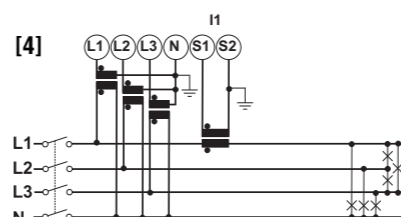
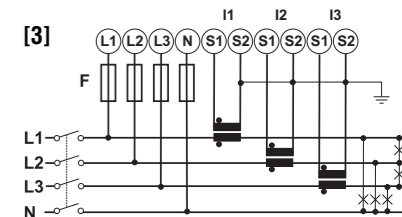
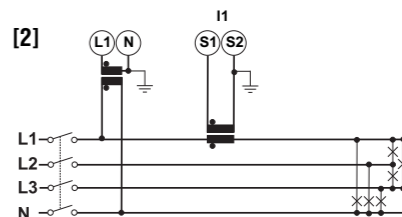
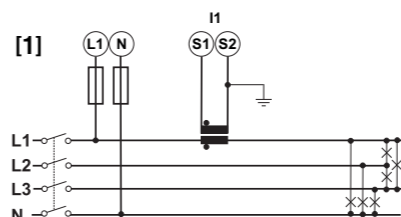
Opération préliminaire: démonter, si nécessaire, la fenêtre de protection des contacts [A], en utilisant un tournevis plat approprié.

Bloqueo de la programación y LED para la presencia d'alimentación: pour bloquer la programmation de l'instrument, agir (en le tournant dans le sens des aiguilles d'une montre) sur le commutateur rotatif [B] en le mettant sur la position 7, pour débloquer la programmation, le mettre sur la position 1. Le LED vert allumé [C] signale que l'instrument est alimenté.

Sceller les modules et l'instrument: pour bloquer les modules, agir (en les tournant dans le sens des aiguilles d'une montre) sur les éléments de fixation prévus à cet effet, situés aux angles des modules mêmes [E], en utilisant un tournevis plat adéquat [F]. Le sceau doit être posé en utilisant les trous et les couvre-bornes prévus pour à cet effet [D].

BRANCHEMENTS ÉLECTRIQUES

- [1] 3 phases, 2 fils, charge équilibrée, connexion avec 1 TA
- [2] 3 phases, 2 fils, charge équilibrée, connexion avec 1TA et 1 VT
- [3] 3 phases, 4 fils, charge déséquilibrée, connexion avec 3 TA
- [4] 3 phases, 3 fils, charge équilibrée, connexion avec 1 TA et 3 VT
- [5] 3 phases, 4 fils, charge déséquilibrée, connexion avec 3 TA et 3 VT
- [6] 3 phases, 3 fils, charge déséquilibrée, connexion avec 3 TA
- [7] 3 phases, 3 fils, charge déséquilibrée, connexion avec 3 TA et 2 VT
- [8] 3 phases, 3 fils, charge équilibrée, connexion avec 1 TA
- [9] 3 phases, 3 fils, charge déséquilibrée, connexion avec 2 TV (ARON)
- [10] 3 phases, 3 fils, charge équilibrée, connexion avec 1 TA et 2 VT
- [11] 2 phases, 3 fils, connexions avec 2 TA
- [12] 2 phases, 3 fils, connexions avec 2 TA et 2 VT



- [13] 1 phase, 2 fils, connexion avec 1TA
- [14] 1 phase, 2 fils, connexion avec 1 TA et 1 VT
- [15] 3 phases, 3 fils, charge déséquilibrée, connexion avec 2 TA et 2 TV (ARON)
- [16] Alimentation de 90 à 260VCA/CC. F=250V [T] 630mA.
Alimentation de 18 à 60VCA/CC. F=250V [T] 3.15A.

ESPAÑOL



Lea atentamente el manual de instrucciones. Si el instrumento se usa de modo distinto al indicado por el fabricante, la protección de seguridad ofrecida por el instrumento podrá resultar dañada. **Mantenimiento:** para limpiar el equipo utilizar siempre un trapo ligeramente humedecido, nunca productos abrasivos o disolventes. Se recomienda desconectar siempre el instrumento antes de limpiarlo.

ATENCIÓN: asegúrese de que el par de apriete aplicado a los tornillos sea de: 0,5Nm. TODAS LAS OPERACIONES DE MONTAJE Y DESMONTAJE DEL INSTRUMENTO Y DE LOS MÓDULOS DEBE REALIZARSE CON LA ALIMENTACIÓN Y LA CARGA DESCONECTADAS.

Operación preliminar: desmonte, si lo necesita, la ventana de protección de los contactos [A], utilizando su propio destornillador de punta plana.

Bloqueo de la programación y LED de alimentación ON: para bloquear la programación del instrumento gire en el sentido de las agujas del reloj el conmutador giratorio [B] llevándolo a la posición 7, para desbloquear la programación llévelo a la posición 1. El LED verde encendido [C] indica que el instrumento está alimentado.

Sellado de los módulos y del instrumento: para bloquear los módulos gire

en el sentido de las agujas del reloj los específicos elementos de fijación de los extremos de los módulos [E], utilizando un adecuado destornillador de punta plana [F]. Para sellar el equipo use las cubiertas y orificios específicos [D].

CONEXIONES ELÉCTRICAS

- [1] Trifásico, 2 hilos, carga equilibrada, conexión mediante 1 CT
- [2] Trifásico, 2 hilos, carga equilibrada, conexión mediante 1 CT y 1 VT/PT
- [3] Trifásico, 4 hilos, carga desequilibrada, conexión mediante 3 CT
- [4] Trifásico, 3 hilos, carga equilibrada, conexión mediante 1 CT y 3 VT/PT
- [5] Trifásico, 4 hilos, carga desequilibrada, conexión mediante 3 CT y 3 VT/PT
- [6] Trifásico, 3 hilos, carga desequilibrada, conexión mediante 3 CT
- [7] Trifásico, 3 hilos, carga desequilibrada, conexión mediante 3 CT y 2 VT/PT
- [8] Trifásico, 3 hilos, carga equilibrada, conexión mediante 1 CT
- [9] Trifásico, 3 hilos, carga desequilibrada, conexión mediante 2 CT (ARON)
- [10] Trifásico, 3 hilos, carga equilibrada, conexión mediante 1 CT y 2 VT/PT
- [11] Bifásico, 3 hilos, conexiones mediante 2 CT
- [12] Bifásico, 3 hilos, conexiones mediante 2 CT y 2 VT/PT
- [13] Monofásico, 2 hilos, conexión mediante 1 CT
- [14] Monofásico, 2 hilos, conexión mediante 1 CT y 1 VT/PT
- [15] Trifásico, 3 hilos, carga desequilibrada, conexión mediante 2 CT y 2 VT/PT (ARON)
- [16] Alimentación de 90 a 260VCA/CC. F=250V [T] 630mA.
Alimentación de 18 a 60VCA/CC. F=250V [T] 3.15A.

CT = Trafo de intensidad, VT = Trafo de tensión, PT = Trafo de potencia

ENGLISH

Rated inputs, system type: 1, 2 or 3-phase. Galvanic insulation by means of built-in CT's. Current range (by CT) AV5 and AV6: 5(6)A; AV4 and AV7: 1(2)A. Voltage (by direct connection or VT/PT) AV4, AV5: 400/690VLL; AV6, AV7: 100/208VLL. **Accuracy** (Display + RS485) (@25°C ±5°C, R.H. ≤60%, 48 to 62 Hz). In: see below, Un: see below AV4 model In: 1A, Imax: 2A; Un: 160 to 480VLN (277 to 830VLL). AV5 model In: 5A, Imax: 6A; Un: 160 to 480VLN (277 to 830VLL). AV6 model, In: 5A, Imax: 6A; Un: 40 to 144VLN (70 to 250VLL), AV7 model In: 1A, Imax: 2A; Un: 40 to 144VLN (70 to 250VLL). Current AV4, AV5, AV6, AV7 models from 0.01In to 0.05In: ±(0,5% RDG +2DGT). From 0.05In to Imax: ±(0.2% RDG +2DGT). Phase-neutral voltage: In the range Un: ±(0,2% RDG +1DGT). Phase-phase voltage: In the range Un: ±(0,5% RDG +1DGT). Frequency: ±0.1Hz (45 to 65Hz). Active and Apparent power: 0.01In to 0.05In, PF 1: ±(1%RDG+1DGT) From 0.05In to Imax PF 0.5L, PF1, PF0,8C: ±(0,5%RDG+1DGT). Power Factor ±[0.001+0.5%*(1.000 - "PF RDG")]. Reactive power 0.1In to Imax, senφ 0.5L/C: ±(1%RDG+1DGT). 0.05In to 0.1In, senφ 0.5L/C: ±(1,5%RDG+1DGT). 0.05In to Imax, senφ 1: ±(1%RDG+1DGT) 0.02In to 0.05In, senφ 1: ±(1,5%RDG+1DGT). Active energy, class 0.5 according to EN62053-22, ANSI C12.20, class C according to EN50470-3. Reactive energy class 1 according to EN62053-23, ANSI C12.1. Start up current AV5, AV6: 5mA. Start up current AV4, AV7 1mA. **Energy additional errors**: according to EN62053-22, ANSI C12.20. Influence quantities, class B or C according to EN50470-3, EN62053-23, ANSI C12.1. **Total Harmonic Distortion (THD)** ±1% FS (FS: 100%). AV4: Imin: 5mARMS; Imax: 15Ap; Umin: 30VRMS; Umax: 585Vp. AV5: Imin: 5mARMS; Imax: 15Ap; Umin: 30VRMS; Umax: 585Vp. AV6: Imin: 5mARMS; Imax: 15Ap; Umin: 30VRMS; Umax: 585Vp. AV7: Imin: 5mARMS; Imax: 15Ap; Umin: 30VRMS; Umax: 585Vp. **Temperature drift** ≤200ppm/°C. **Sampling rate** 3200 samples/s @ 50Hz, 3840 samples/s @ 60Hz. Method TRMS measurements of distorted wave forms. Coupling type by means of CT's. **Crest factor**, AV5, AV6: ≤3 (15A max. peak), AV4, AV7: ≤3 (3A max. peak). **Current Overloads**, continuous (AV5 and AV6) 6A, @ 50Hz. Continuous (AV4 and AV7) 2A, @ 50Hz. For 500ms (AV5 and AV6) 120A, @ 50Hz. For 500ms (AV4 and AV7) 40A, @ 50Hz. **Voltage Overloads**, continuous 1.2 Un. For 500ms 2 Un. **Input impedance**, 400VL-L (AV4 and AV5) >1.6MΩ; 208VL-L (AV6 and AV7) >1.6MΩ. 5(10)A (AV5 and AV6) <0.2VA. 1(2)A (AV4 and AV7) <0.2VA. **Frequency** 40 to 440 Hz. **Meters**. Total 4 (9+1 digit). Partial 4 (9+1 digit). **Pulse output** connectable to total and/or partial meters. **Energy meter recording**, storage of total and partial energy meters. Energy meter storage format (EEPROM) Min. -9,999,999,999.9 kWh/kvarh, Max. 9,999,999,999.9 kWh/kvarh. **Energy Meters**, total energy meters +kWh, +kvarh, -kWh, -kvarh. Partial energy meters +kWh, +kvarh, -kWh, -kvarh. **Analysis principle** FFT. **Harmonic measurement**. Current up to the 32nd harmonic. Voltage up to the 32nd harmonic. **Type of harmonics** THD (VL1 and VL1-N). The same for the other phases: L2, L3. THD (AL1). The same for the other phases: L2, L3. **System**: the harmonic distortion can be measured in 3-wire or 4-wire systems. Tw: 0.02 sec@50Hz without filter. **Power supply** H: 90 to 260VAC/DC; L: 18 to 60VAC/DC (48 to 62Hz). Power consumption AC: 6 VA; DC: 3.5 W.

Operating temperature -25°C to +55°C (-13°F to 131°F) (R.H. from 0 to 90% non-condensing @ 40°C) according to EN62053-21, EN50470-1 and EN62053-23. **Storage temperature** -30°C to +70°C (-22°F to 158°F) (R.H. < 90% non-condensing @ 40°C) according to EN62053-21, EN50470-1 and EN62053-23. **Installation category** Cat. III (IEC60664, EN60664). **Dielectric strength** 4000 VRMS for 1 minute. **Noise rejection** CMRR 100 dB, 48 to 62 Hz. **EMC** according to EN62052-11. Electrostatic discharges: 15kV air discharge. Immunity to irradiated: test with current: 10V/m from 80 to 2000MHz. Electromagnetic fields: test without any current: 30V/m from 80 to 2000MHz. Burst: on current and voltage measuring inputs circuit: 4kV. Immunity to conducted disturbances: 10V/m from 150KHz to 80MHz. Surge: on current and voltage measuring inputs circuit: 4kV; on “L” auxiliary power supply input: 1kV. Radio frequency suppression: according to CISPR 22. **Standard compliance**: safety: IEC60664, IEC61010-1 EN60664, EN61010-1 EN62052-11. Metrology EN62053-21, EN62053-23, EN50470-3. Pulse output: DIN43864, IEC62053-31. **Approvals**: CE, cULus “Listed”. **Connections**: Screw-type. Screw-type. Cable cross-section area: max. 2.5 mm2. Min./max. Screws tightening torque: 0.4 Nm / 0.8 Nm. Suggested: 0.5 Nm. Module holder: 96x96x50mm. “A” and “B” type modules: 89.5x63x16mm. “C” type module: 89.5x63x20mm. Max. depth behind the panel. With 3 modules (A+B+C): 81.7 mm. Material, ABS, self-extinguishing: UL 94 V-0. **Protection degree**, front: IP65, NEMA4x, NEM12. Screw terminals: IP20.

Ingressi di misura. Sistema: 1, 2 o 3 fasi. Isolamento galvanico mediante TA integrati. Portata corrente (TA) AV5 e AV6: 5(6)A. AV4 e AV7: 1(2)A. Tensione (connesione diretta o TV) AV4, AV5: 400/690VLL; AV6, AV7: 100/208VLL. **Precisione** (Display + RS485) (@25°C ±5°C, R.H. ≤60%, 48 to 62 Hz) In: vedere sotto, Un: vedere sotto, Modello AV4, In: 1A, Imax: 2A; Un: da 160 a 480VLN (da 277 a 830VLL). Modello AV5, In: 5A, Imax: 6A; Un: da 160 a 480VLN (da 277 a 830VLL). Modello AV6 In: 5A, Imax: 6A; Un: da 40 a 144VLN (da 70 a 250VLL). Modello AV7 In: 1A, Imax: 2A; Un: da 40 a 144VLN (da 70 a 250VLL). Corrente, modelli AV4, AV5, AV6, AV7 Da 0,01In a 0,5In: ±(0,5% RDG +2DGT). Da 0,05In a Imax: ±(0,2% RDG +1DGT). Tensione fase-neutro, nel campo Un: ±(0,2% RDG +1DGT). Tensione fase-fase, nel campo Un: ±(0,5% RDG +1DGT). Frequenza ±0,1Hz (da 45 a 65Hz). Potenza attiva ed apparente: da 0,01In a 0,05In, cosφ 1: ±(1% RDG +1DGT), da 0,05In a Imax, cosφ 0,5L, cosφ 1, cosφ 0.8C: ±(0,5% RDG +1DGT). Fattore di potenza: ±[0.001+0.5%*(1.000 - “PF RDG”)]. Potenza reattiva, da 0,1In a Imax, senφ 0,5L/C: ±(1%RDG+1DGT), da 0,05In a 0.1In, senφ 0,5L/C: ±(1,5%rRDG+1DGT), da 0.05In a Imax, senφ 1: ±(1%RDG+1DGT), da 0,02In a 0,05In, senφ 1: ±(1,5%RDG+1DGT). Energia attiva: Classe 0,5 secondo EN62053-22, ANSI C12.20 Classe C secondo EN50470-3. Energia reattiva Classe 1 secondo EN62053-23, ANSI C12.1. Corrente di avvio AV5, AV6 5mA. Corrente di avvio AV4, AV7 1mA. **Errori addizionali** secondo EN62053-22, ANSI C12.20. Grandezze di influenza Classe B o C secondo EN50470-3, EN62053-23, ANSI C12.1. **Distorsione armonica totale (THD)**: ±1% FS (FS: 100%), AV4: Imin: 5mARMS; Imax: 15Ap; Umin: 30VRMS; Umax: 585Vp, AV5: Imin: 5mARMS; Imax: 15Ap; Umin: 30VRMS; Umax: 585Vp, AV6: Imin: 5mARMS; Imax: 15Ap; Umin: 30VRMS; Umax: 585Vp, AV7: Imin: 5mARMS; Imax: 15Ap; Umin: 30VRMS; Umax: 585Vp. **Deriva termica**: ≤200ppm/°C. **Frequenza di campionamento**: 3200 campionio/s @ 50Hz, 3840 campionio/s @ 60Hz. **Misure**, metodo TRMS misura delle forma d’onda distorte. Tipo di accoppiamento Mediante TA. **Fattore di cresta** AV5, AV6: ≤3 (15A max. picco) AV4, AV7: ≤3 (3A max. picco). **Sovraccarico corrente**: continuo (AV5 e AV6) 6A, @ 50Hz. Continuo (AV4 e AV7) 2A, @ 50Hz. Per 500ms (AV5 e AV6) 120A, @ 50Hz. Per 500ms (AV4 e AV7) 40A, @ 50Hz. **Sovraccarico**: continuo 1,2 Un. Per 500ms 2 Un. **Impedenza d’ingresso**: 400VLL (AV4 e AV5) >1,6MΩ. 208VLL (AV6 e AV7) >1,6MΩ. 5(10)A (AV5 e AV6) <0,2VA. 1(2)A (AV4 e AV7) <0,2VA. **Frequenza** da 40 a 440 Hz. **Cotatori**: totali, 4 (9+1 digit). Parziali, 4 (9+1 digit). **Uscita impuls**i: associabile ai contatori parziali e/o totali. **Registrazione dei contatori**: memorizzazione dei contatori parziali e totali. Formato dei contatori memorizzati (EEPROM) Min. -9,999,999,999.9 kWh/kvarh. Max. 9,999,999,999.9 kWh/kvarh. **Contatori di energia**: totali, +kWh, +kvarh, -kWh, -kvarh. Parziali, +kWh, +kvarh, -kWh, -kvarh. **Principio dell’analisi** FFT. **Misura dell’armonica**, corrente, fino alla 32a armonica. Tensione, fino alla 32a armonica. **Tip**o di **armoniche** THD (VL1 e VL1-N) lo stesso per le altre fasi: L2, L3. THD (AL1) lo stesso per le altre fasi L2, L3. **Sistema**: la distorsione armonica è misurabile sia in un sistema 3 fili che 4 fili. Tw: 0,02 sec@50Hz senza filtro. **Alimentazione**: H: da 90 a 260VAC/DC; L: da 18 a 60VCA/CC (da 48 a 62Hz). Autoconsumo CA: 6VA; CC: 3,5W.

Temperatura di funzionamento da -25°C a +55°C (da -13°F a 131°F) (U.R. da 0 a 90% senza condensa @ 40°C) secondo EN62053-21 e EN62053-23. **Temperatura di immagazzinamento** da -30°C a +70°C (da -22°F a 140°F) (U.R. <90% senza condensa @ 40°C) secondo EN62053-21 e EN62053-23. **Categoria di installazione**: Cat. III (IEC60664, EN60664). **Isolamento (per 1 minuto)** 4000 VRMS tra ingressi di misura ed alimentazione. 4000 VRMS tra alimentazione e RS485/uscite digitali. **Rigidità dielettrica** 4000 VRMS per 1 minuto. **Reiezione** CMRR 100 dB, da 48 a 62 Hz. **EMC** secondo EN62052-11. Scariche elettrostatiche 15kV scarica in aria; Immunità campi elettromagnetici irradianti, provato con corrente applicata: 10V/m da 80 a 2000MHz; provato senza corrente applicata: 30V/m da 80 a 2000MHz. Immunità ai transitori veloci, sui circuiti degli ingressi di misura in corrente e tensione: 4kV. Immunità ai radiodisturbi condotti: 10V/m da 150KHz a 80MHz. Immunità ad impulso, sui circuiti degli ingressi di misura in corrente e tensione: 4kV; sull'alimentazione “L”: 1kV. Emissioni in radiofrequenza: secondo CISPR 22. **Conformità alle norme**: sicurezza IEC60664, IEC61010-1 EN60664, EN61010-1 EN62052-11. Metrologia: EN62053-21, EN50470-3, EN62053-23. Uscita impulsiva DIN43864, IEC62053-31. **Approvazioni**: CE, cULus listed. **Connessioni**: a vite. Sezione del cavo: max. 2,5 mm2. Coppia min./max serraggio: 0,4 Nm / 0,8 Nm. Consigliata: 0,5 Nm. **Custodia**: dimensioni (LxAxP) modulo base: 96x96x50mm. Moduli tipo “A” e “B”: 89,5x63x16mm. Modulo tipo “C”: 89,5x63x20mm. Ingombro massimo dietro il pannello Con 3 moduli (A+B+C): 81,7 mm. Materiale: nylon PA66, autoestinguenza: UL 94 V-0. Montaggio a pannello. **Grado di protezione**: frontale: IP65, NEMA4x, NEM12. Morsetti: IP20.

Messeingänge: Phasensystem: Systemcode: 1, 2 oder 3. Strommessung: Galvanische Isolation durch integrierte Stromwandler. Strombereich (Stromwandler) AV5 und AV6: 5(6)A. AV4 und AV7: 1(2)A. Spannung (Direktmessung oder Spannungswandler) AV4, AV5: 400/690VLL; AV6, AV7: 100/208VLL. **Genauigkeit** (Anzeige + RS485) (bei 25°C ±5°C, R.F. ≤60%, 48 bis 62 Hz) In: Nennstrom, Un: Nennspannung: Modell AV4, In: 1A, Imax: 2A; Un: 160 bis 480VLN (277 bis 830VLL). Modell AV5, In: 5A, Imax: 6A; Un: 160 bis 480VLN (277 bis 830VLL). Modell AV6, In: 5A, Imax: 6A; Un: 40 bis 144VLN (70 bis 250VLL). Modell AV7, In: 1A, Imax: 2A; Un: 40 bis 144VLN (70 bis 250VLL). Strom Modelle AV4, AV5, AV6, AV7 VON 0,01In bis 0,5In: ±(0,5% RDG +2stellig). Von 0,05In bis Imax: ±(0,2% RDG +2stellig). Spannung Phase - N Bereich Un: ±(0,2% RDG +1stellig). Spannung Phase - Phase Bereich Un: ±(0,5% RDG +1stellig). Frequenz: ±0.1Hz (45 bis 65Hz). Wirk- und Scheinleistung: 0,01In bis 0,05In, PF 1: ±(1%RDG+1stellig). VON 0,05In bis Imax. PF 0.5L, PF1, PF0,8C: ±(0,5%RDG+1stellig). Leistungsfaktor: ±[0,001+0,5%*(1,000 - “PF RDG”)]. Blindleistung: 0,1In bis Imax, senφ 0,5L/C: ±(1%RDG+1stellig). 0,05In bis 0,1In, senφ 0,5L/C: ±(1,5%RDG+1stellig). 0,05In bis Imax, senφ 1: ±(1%RDG+1stellig). 0,02In bis 0,05In, senφ 1: ±(1,5%RDG+1stellig). Energie: Klasse 0,5 gemäß EN62053-22, ANSI C12.20. Klasse C gemäß EN50470-3. Blindleistung: Klasse 1 gemäß EN62053-23, ANSI C12.1. Startstrom AV5, AV6 5mA. Startstrom AV4, AV7 1mA. **Zusätzlicher Energiefehler**: gemäß EN62053-22, ANSI C12.20, Bereichsüberschreitungs-abhängig: Klasse B oder C gemäß EN50470-3, EN62053-23, ANSI C12.1. **Gesamte Harmonische Verzerrung (THD)**: ±1% BE (BE: 100%). AV4: Imin: 5mARMS; Imax: 15Ap; Umin: 30VRMS; Umax: 585Vp. AV5: Imin: 5mARMS; Imax: 15Ap; Umin: 30VRMS; Umax: 585Vp. AV6: Imin: 5mARMS; Imax: 15Ap; Umin: 30VRMS; Umax: 585Vp. AV7: Imin: 5mARMS; Imax: 15Ap; Umin: 30VRMS; Umax: 585Vp. **Temperaturdrift**: ≤200ppm/°C. **Abtaststrate** 3200 Abtastwertes/s bei 50Hz, 3840 Abtastwertes/s bei 60Hz. Messmethode TRMS-Messungen von verzerrten Wellenformen. Wandleranschluss Durch Stromwandler. **Scheitelwertfaktor**: AV5, AV6: ≤3 (15A Höchstspitze). AV4, AV7: ≤3 (3A Höchstspitze). **Überlaststrom**: Dauer (AV5 und AV6) 6A, bei 50Hz. Dauer (AV4) 2A, bei 50Hz. Für 500ms (AV5 und AV6) 120A, bei 50Hz. Für 500ms (AV4 uund AV7) 40A, bei 50Hz. **Überlastspannung**: Dauer 1,2 Un. Für 500ms 2 Un. **Eingangsimpedanz**: 400VL-L (AV4 und AV5) >1,6MΩ. 208VL-L (AV6 und AV7) >1,6MΩ. 5(10)A (AV5 und AV6) <0,2VA. 1(2)A (AV4 und AV7) <0,2VA. **Frequenz**: 40 bis 440 Hz. **Zähler**: Gesamt 4 (9+1 Ziffern). Partiell 4 (9+1 Ziffern). **Impulsausgang**: Anschließbar an Gesamtund/oder Teilzähler. **Aufzeichnung der Energiemessung**: Aufzeichnung von Gesamt- und Teilenergiemessung. Aufzeichnung der Energiemessung(EEPROM) Min. -9,999,999,999.9 kWh/kvarh. Max. 9,999,999,999.9 kWh/kvarh. **Energiezähler**: Gesamte Energiezähler +kWh, +kvarh, -kWh, -kvarh. Teilenergiezähler +kWh, +kvarh, -kWh, -kvarh. **Analyseprinzip**: FFT. **Wellenmessung**: Strom Bis zur 32. Harmonischen: Spannung Bis zur 32. Harmonischen. **Wellentypen**: THD (VL1 y VL1-N) Dasselbe für andere Phasen: L2, L3. THD (AL1) Dasselbe für andere Phasen: L2, L3. **System**: Die harmonische Verzerrung kann in Systemen mit 3 oder 4 Leiter gemessen werden. Tw: 0,02 sec@50Hz ohne Filter. **Modelle mit Hilfsstromversorgung**: H: 90 bis 260VAC/DC; L: 18 bis 60VAC/DC (48 bis 62Hz). **Leistungsaufnahme**: AC: 6 VA; DC: 3,5 W. **Betriebstemperatur** -25°C bis +55°C (-13°F bis 131°F) (R.F. von 0 bis 90% nicht kondensierend bei 40°C) gemäß EN62053-21, EN50470-1 und EN62053-23. **Lagertemperatur**: -30°C bis +70°C (-22°F bis 158°F) (R.F. < 90% nicht kondensierend bei 40°C) gemäß EN62053-21, EN50470-1 und EN62053-23. **Installationskategorie**: Kat. III (IEC60664, EN60664). **Durchschlagfestigkeit**: 4kVAC RMS für 1 Minute. **Rauschdrückungsverhältnis**: GTUV 100 dB, 48 bis 62 Hz. **EMC**: According to EN62052-11. Elektrostatische Entladungen: 15kV air discharge; Strahlungsimmunität: Test mit angelegten Strom: 10V/m von 80 bis 2000MHz; Elektromagnetfeld. Test ohne angelegten Strom: 30V/m von 80 bis 2000MHz; Ladungsimpuls: Am Strom- und Eingangsspannungsmesskreis: 4kV. Leiterstörungsimmunität: 10V/m von 150KHz bis 80MHz. Überspannungsfestigkeit: Strom- und Eingangsspannungsmesskreis: 4kV; an „L“ Hilfsstromversorungseingang: 1kV; Störausrstrahlung Gemäß CISPR 22. **Standardkonformität**: Sicherheit: IEC60664, IEC61010-1 EN60664, EN61010-1 EN62052-11. Messungen: EN62053-21, EN62053-23, EN50470-3. MID “Anhang MI-003”. Impulsausgang: DIN43864, IEC62053-31. Zulassungen: CE, cULus “Listed”. **Anschlüsse**: Schraubklemmen, Kabelquerschnitt: 2,5 mm2. Min./Max. Anzungsmoment: 0,4 Nm / 0,8 Nm. Empfohlene Anzungsmoment: 0,5 Nm. **Gehäuse DIN** Abmessungen (LxHxB): 96x96x50mm. Tiefe hinter der DIN-Schiene Mit 3 Modulen (A+B+C): 81,7 mm. Material ABS, selbstlöschend: UL 94 V-0. Montage: DIN-Schiene. **Schutzgrad**: Vorderseite, IP65, NEMA4x, NEM12. Schraubklemmen: IP20.

Entrées nominales. Type de réseau: 1, 2 ou 3-phases. Type de courant: Isolation galvanisée par TC incorporé. Plage de courant (par TC) AV5 et AV6: 5(6)A. AV4 et AV7: 1(2)A. Tension direct ou par TT/TP AV4, AV5: 400/690VLL; AV6, AV7: 100/208VLL. **Précision** (Afficheur + RS485) (@25°C ±5°C, H.R. ≤60%, 48 à 62 Hz) In: voir ci-dessous, Un: voir ci-dessous, Modèle AV4 In: 1A, Imax: 2A; Un: 160 à 480VLN (277 à 830VLL). Modèle AV5 In: 5A, Imax: 6A; Un: 160 à 480VLN (277 à 830VLL). Modèle AV6 In: 5A, Imax: 6A; Un: 40 à 144VLN (70 à 250VLL). Modèle AV7 In: 1A, Imax: 2A; Un: 40 à 144VLN (70 à 250VLL). Courant modèles AV4, AV5, AV6, AV7. De 0,01In à 0,5In: ±(0,5% RDG +2DGT). De 0,05In à Imax: ±(0,2% RDG +2DGT). Tension phase-neutre, Dans l’intervalle Un: ±(0,2% RDG +1DGT). Tension phase-phase, Dans l’intervalle Un: ±(0,5% RDG +1DGT). Fréquence: ±0,1Hz (45 à 65Hz). Puissance active et apparente: 0,01In à 0,05In, PF 1: ±(1%RDG+1DGT). De 0,05In à Imax, PF 0,5L, PF1, PF0,8C: ±(0,5%RDG+1DGT). Facteur de puissance: ±[0,001+0,5%*(1,000 - “PF RDG”)]. Puissance réactive: 0,1In à Imax, senφ 0,5L/C: ±(1%RDG+1DGT). 0,05In à 0,1In, senφ 0,5L/C: ±(1,5%RDG+1DGT). 0,05In à Imax, senφ 1: ±(1%RDG+1DGT). 0,02In à 0,05In, senφ 1: ±(1,5%RDG+1DGT). Energie active: Classe 0,5 selon EN62053-22, ANSI C12.20. Classe C selon EN50470-3. Energie réactive: Classe 1 según norma EN62053-23, ANSI C12.1. Courant de démarrage AV5, AV6: 5mA. Courant de démarrage AV4, AV7: 1mA. **Erreurs additionnelles énergie**: Selon EN62053-22, ANSI C12.20. Quantités influentes: Classe B ou C selon EN50470-3, EN62053-23, ANSI C12.1. **Distorsion harmonique totale (THD)**: ±1% PE (PE: 100%). AV4: Imin: 5mARMS; Imax: 15Ap; Umin: 30VRMS; Umax: 585Vp. AV5: Imin: 5mARMS; Imax: 15Ap; Umin: 30VRMS; Umax: 585Vp. AV6: Imin: 5mARMS; Imax: 15Ap; Umin: 30VRMS; Umax: 585Vp. AV7: Imin: 5mARMS; Imax: 15Ap; Umin: 30VRMS; Umax: 585Vp. **Dérive de température**: ≤200ppm/°C. **Taux d’échantillonnage**: 3200 échantillons/s @ 50Hz, 3840 échantillons/s @ 60Hz. **Mesures**, méthode: mesures TRMS de formes d’ondes déformées. Type de raccordement: au moyen d’un TC. **Facteur de crête**: AV5, AV6: ≤3 (15A pic max), AV4, AV7: ≤3 (3A pic max). **Surcharges de courant**: continu (AV5 et AV6) 6A, @ 50Hz, Continuo (AV4) 2A, @ 50Hz. Pour 500ms (AV5 et AV6) 120A, @ 50Hz. Pour 500ms (AV4 et AV7) 40A, @ 50Hz. **Surcharges de tension**, continu 1,2 Un. Pour 500ms 2 Un. **Impédance d’entrée**: 400VL-L (AV4 et AV5) > 1,6MΩ. 208VL-L (AV6 et AV7) > 1,6MΩ. 5(10)A (AV5 et AV6) < 0,2VA. 1(2)A (AV4 et AV7) <0,2VA. **Fréquence**: 40 à 440 Hz. **Compteurs**: total 4 (9+1 digit). Partiel 4 (9+1 digit). **Sortie impulsions**: recordement possible aux compteurs d’énergie totale et/ou partielle. **Enregistrement du comptage d’énergie**: enregistrement du comptage d’énergie totale et partielle. Enregistrement du comptage d’énergie (EEPROM). Min. -9,999,999,999.9 kWh/kvarh. Max. 9,999,999,999.9 kWh/kvarh. **Compteurs d’énergie**: compteurs d’énergie totale +kWh, +kvarh, -kWh, -kvarh. Compteurs d’énergie partielle +kWh, +kvarh, -kWh, -kvarh. **Principe d’analyse**: FFT. **Mesure des harmoniques**: courant, jusqu’à la 32^{ème} harmonique. Tension, jusqu’à la 32^{ème} harmonique. **Type d’harmoniques**: THD (VL1 et VL1-N) Identique pour les autres phases: L2, L3. THD (AL1) Identique pour les autres phases: L2, L3. **Réseau**: on peut mesurer la distorsion harmonique dans réseaux 3-phases ou 4-phases. Tw: 0.02 sec@50Hz sans filtres. **Versio**n **auto-alimentée**: H: 90 à 260VCA/CC; L: 18 à 60VCA/CC (48 à 62Hz). **Consommation d’énergie**: AC: 6 VA; CC: 3,5 W.

Température de fonctionnement -25°C à +55°C (-13°F à 131°F) (H.R. de 0 à 90% sans condensation @ 40°C) selon EN62053-21, EN50470-1 and EN62053-23. **Température de stockage** -30°C à +70°C (-22°F à 158°F) (H.R. < 90% sans condensation @ 40°C) selon EN62053-21, EN50470-1 and EN62053-23. **Catégorie d’installation** Cat. III (IEC60664, EN60664). **Tension diélectrique**: 4kVCA RMS pour 1 minute. **Émission de bruit** CMRR 100 dB, 48 à 62 Hz. **CEM**: selon EN62052-11. Décharges électrostatiques 15kV décharge atmosphérique. Immunité à l’irradiation: test avec courant: 10V/m de 80 à 2000MHz. Champs électromagnétiques: test sans aucun courant: 30V/m de 80 à 2000MHz. Transitoires: sur circuit d’entrées de mesure courant et tension: 4kV. Immunité aux bruits par conduction 10V/m de 150KHz à 80MHz. Surtension: sur circuit d’entrées de mesure courant et tension: 4kV; sur entrée d’alimentation auxiliaire « L » : 1kV; suppression fréquence radio, selon CISPR 22. **Conformité aux standards**: sécurité IEC60664, IEC61010-1 EN60664, EN61010-1 EN62052-11. Métrologie: EN62053-21, EN62053-23, EN50470-3. MID “annexe MI-003”. Sortie impulsion DIN43864, IEC62053-31. **Approbations**: CE, cULus “Listed”. **Connexions**: À vis, Section de câbles max. 2,5 mm2. Min./Max. couple de serrage de vis: 0,4 Nm / 0,8 Nm. Couple de serrage de vis recommandé: 0,5Nm. **Boîtier DIN** Dimensions (LxHxD): 96x96x50mm. Profondeur max. derrière le panneau. Avec 3 modules (A+B+C): 81,7 mm Matériau ABS, autoextinguible: UL 94 V-0. Montage: montage sur panneau. **Indice de protection**: face avant IP65, NEMA4x, NEM12. Terminaisons de vis IP20.

Entradas de medida. Tipo de sistema: monofásico, bifásico, trifásico. Tipo de entr. de intensidad: aislamiento galvaníco mediante CT incorporado. Escala de intens. (mediante CT) AV5 y AV6: 5(6)A. AV4 y AV7: 1(2)A. Tensión (conex. directa o con VT/PT) AV4, AV5: 400/690VLL; AV6, AV7: 100/208VLL. **Precisión** (Display + RS485) (a 25°C ±5°C, H.R. ≤60%, 48 a 62 Hz) In: ver abajo, Vn: ver abajo. Modelo AV4 In: 1A, Imax: 2A; Vn: 160 a 480VLN (277 a 830VLL). Modelo AV5 In: 5A, Imax: 6A; Vn: 160 a 480VLN (277 a 830VLL). Modelo AV6 In: 5A, Imax: 6A; Vn: 40 a 144VLN (70 a 250VLL). Modelo AV7 In: 1A, Imax: 2A; Vn: 40 a 144VLN (70 a 250VLL). Intensidad modelos AV4, AV5, AV6, AV7 De 0,01In a 0,05In: ±(0,5% lec. +2díg) De 0,05In a Imax: ±(0,2% lec. +2díg). Tensión fase-neutro, en la escala Vn: ±(0,2% lec. +1díg). Tensión fase-fase En la escala Vn: ±(0,5% lec. +1díg). Frecuencia: ±0,1Hz (45 a 65Hz). Potencia activa y aparente, 0,01In a 0,05In, PF 1: ±(1%lec.+1díg). De 0,05In a Imax PF 0,5L, PF1, PF0,8C: ±(0,5%lec.+1díg). Factor de potencia (PF): ±[0,001+0,5%*(1,000 - “PF lec.”)]. Potencia reactiva: 0,1In a Imax, senφ 0,5L/C: ±(1%lec. +1díg). 0,05In a 0,1In, senφ 0,5L/C: ±(1,5%lec. +1díg). 0,05In a Imax, senφ 1: ±(1%lec. +1díg). 0,02In a 0,05In, senφ 1: ±(1,5%lec. +1díg). Energía activa: Clase 0,5 según norma EN62053-22, ANSI C12.20. Clase C según norma EN50470-3. Energía reactiva: Clase 1 según norma EN62053-23, ANSI C12.1. Intensidad de arranque: AV5, AV6 5mA. Intensidad de arranque: AV4, AV7 1mA. **Errores adicionales de energía**: según norma EN62053-22, ANSI C12.20. Influencia: Clase B o C según norma EN50470-3, EN62053-23, ANSI C12.1. **Distorsion armónica total (THD)**: ±1% f.e. (f.e.: 100%). AV4: Imin: 5mARMS; Imax: 15Ap; Vmin: 30VRMS; Vmax: 585Vp; AV5: Imin: 5mARMS; Imax: 15Ap; Vmin: 30VRMS; Vmax: 585Vp. AV6: Imin: 5mARMS; Imax: 15Ap; Vmin: 30VRMS; Vmax: 585Vp. AV7: Imin: 5mARMS; Imax: 15Ap; Vmin: 30VRMS; Vmax: 585Vp. **Deriva térmica**: ≤200ppm/°C. **Frecuencia de muestreo**: 3200 lecturas/s a 50Hz, 3840 lecturas/s a 60Hz. **Medidas**, método: medida TRMS de tensión/intensidad de una onda distorsionada. Tipo de conexión: mediante CT. **Factor de cresta**: AV5, AV6: ≤3 (pico máx 15A). AV4, AV7: ≤3 (pico máx 3A). **Protec. contra sobrecargas de intensidad**: Continua (AV5 y AV6) 6A, a 50Hz. Continua (AV4) 2A, a 50Hz. Durante 500ms (AV5 y AV6) 120A, a 50Hz. Durante 500ms (AV4 y AV7) 40A, a 50Hz. **Protec. contra sobrecargas de tensión**: Continua 1,2 Vn. Durante 500ms 2 Vn. **Impedancia de entrada**: 400VL-L (AV4 y AV5) >1,6MΩ. 208VL-L (AV6 y AV7) >1,6MΩ. 5(10)A (AV5 y AV6) <0,2VA 1(2)A (AV4 y AV7) <0,2VA. **Frecuencia** 40 a 440 Hz. **Medidores**. Total 4 (9+1 díg.). Parcial 4 (9+1 díg.). **Salida de pulsos**: se puede asociar a los medidores de energía totales y parciales. **Registro del medidor**: almacenamiento del los medidores parciales y totales. Formato de almacenamiento del medidor de energía (EEPROM), Min. -9,999,999,999.9 kWh/kvarh. Máx. 9,999,999,999.9 kWh/kvarh. **Medidores de energía**: medidores de energía total +kWh, +kvarh, -kWh, -kvarh. Medidores de energía parcial +kWh, +kvarh, -kWh, -kvarh. **Método de análisis**: FFT. **Medida de armónicos**: Intensidad Hasta armónico nº32. Tensión: Hasta armónico nº32. **Tip**o de **armónicos**: THD (VL1 y VL1-N) lo mismo para las otras fases: L2, L3. THD (AL1) lo mismo para las otras fases: L2, L3. **Sistema**: la distorsión armónica puede medirse en sistemas de 3 hilos y de 4 hilos. Tw: 0,02s a 50Hz sin filtro. **Alimentación auxiliar**: H: 90 a 260VCA/CC; L: 18 a 60VCA/CC (48 a 62Hz). Consumo de potencia: CA: 6 VA; CC: 3,5 W. **Temperatura de trabajo**: -25°C a +55°C (-13°F a 131°F) (H.R. de 0 a 90% sin condensación a

**Instruction Manual
Modules WM30/WM40**

Thank you
for choosing our products.

Grazie
per aver scelto i nostri prodotti.

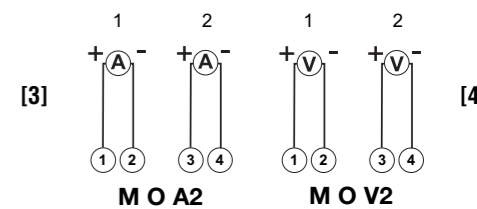
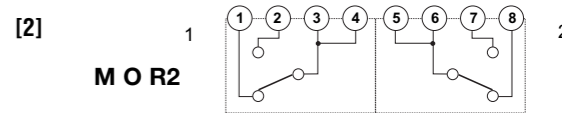
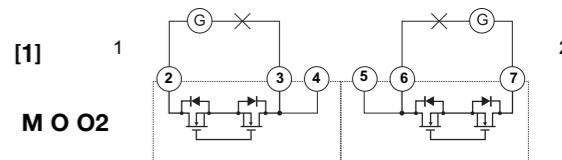
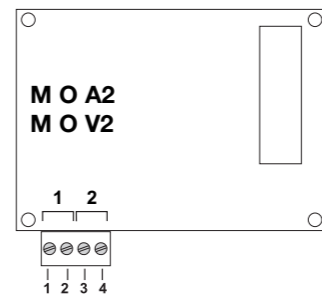
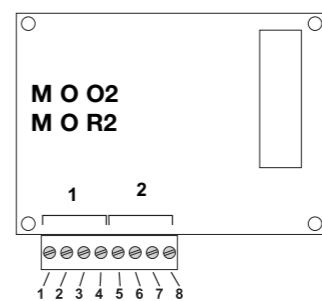
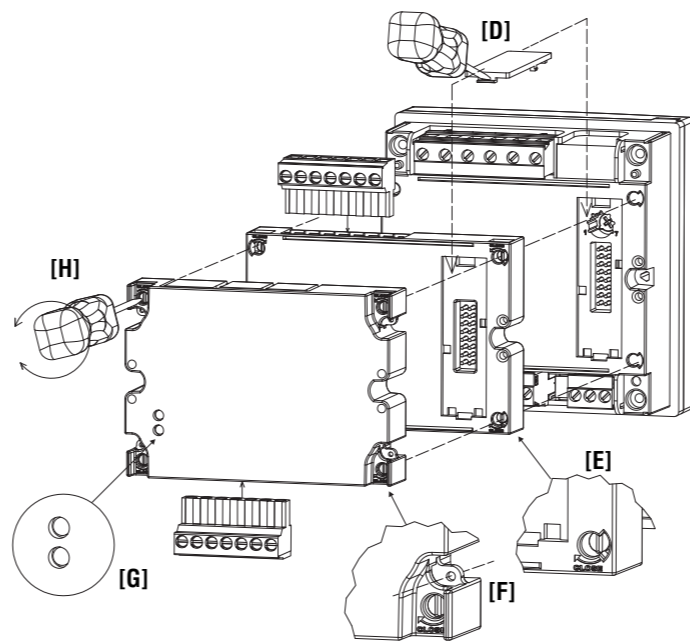
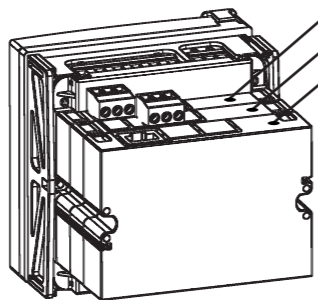
Wir danken
Ihnen dafür, dass Sie unsere
Produkte gewählt haben.

Gracias
por elegir nuestros productos.

Merci
d'avoir choisi nos produits.



Tab.1	A	B	C
M O O2, [1]	X		
M O R2, [2]	X		
M O A2, [3]		X	
M O V2, [4]		X	
M C 485 232, [5], [6]			X
M C ETH			X
M C BACnet-IP			X
MC BAC MS			X



ENGLISH



Read carefully the instruction manual. If the instrument is used in a manner not specified by the producer, the protection provided by the instrument may be impaired. **Maintenance:** make sure that the connections are correctly carried out in order to avoid any malfunctioning or damage to the instrument. To keep the instrument clean, use a slightly damp cloth; do not use any abrasives or solvents. We recommend to disconnect the instrument before cleaning it.

WARNING: it allows to mount only one module per type, for a maximum of 3 modules in total. To avoid any damage respect the position of the modules as shown on table 1. To make sure that the screw tightening torque is 0.5Nm. ALL THE MOUNTING AND DISASSEMBLY OPERATIONS OF THE INSTRUMENT AND MODULES HAVE TO OCCUR WHEN POWER SUPPLY AND THE LOADS ARE NOT CONNECTED.

WIRING DIAGRAMS

- [1] 2 static opto-mosfet outputs.
- [2] 2 relays outputs.
- [3] 2 analogue outputs 20mA DC.
- [4] 2 analogue outputs 10V DC.
- [5] RS485 serial port. **IMPORTANT:** additional devices provided with RS485 are connected in parallel. The termination of the serial output is carried out only on the last instrument of the network, by means of a jumper between B+ and T.
- [6] RS232 serial port. **IMPORTANT:** the termination must be done by means of a jumper between B+ and T.

A: the communication RS232 and RS485 ports **can't be** connected and used simultaneously. **MC BAC MS module is only supplied with RS485.** To connect the ethernet or BACnet-IP modules using the RJ45 connector.

[G] The communication modules are provided with LED indicating the communication status RX or TX.
Preliminary operations: remove the protection cover of the contacts **[D]**, using a properly screwdriver.
Lock and sealing the modules: to lock the modules turning (clockwise) the properly fixing elements on the corners **[E]**, **[F]**, using a properly screwdriver **[H]**. To seal the instrument use the dedicated holes **[F]**.

ITALIANO



Leggere attentamente il manuale di istruzioni. Qualora l'apparecchio venisse adoperato in un modo non specificato dal costruttore, la protezione prevista dall'apparecchio potrebbe essere compromessa. **Manutenzione:** Per mantenere pulito lo strumento usare un panno inumidito; non usare abrasivi o solventi. Si consiglia di scollegare lo strumento prima di eseguire la pulizia. **ATTENZIONE:** è possibile montare un unico modulo per tipo, per un massimo di tre moduli in totale. Per evitare malfunzionamenti rispettare la posizione dei moduli come indicato dalla tabella 1. Porre attenzione alla coppia di serraggio applicata alle viti dei morsetti che sia di: 0,5Nm. TUTTE LE OPERAZIONI DI MONTAGGIO E SMONTAGGIO DELLO STRUMENTO E DEI MODULI VANNO ESEGUITE CON ALIMENTAZIONE E CARICO SCOLLEGATI.

COLLEGAMENTI ELETTRICI

- [1] Doppia uscita statica a opto-mosfet.
- [2] Doppia uscita statica a relè.
- [3] Doppia uscita analogica a 20mA CC.
- [4] Doppia uscita analogica a 10V CC.
- [5] Uscita porte seriali RS485. **IMPORTANTE:** ulteriori strumenti provvisti di RS485 sono collegati in parallelo. La terminazione dell'uscita seriale dev'essere eseguita solo sull'ultimo strumento della rete mediante un ponticello tra i morsetti B+ e T.
- [6] Uscita porte seriali RS232. **IMPORTANTE:** eseguire la terminazione mediante un ponticello tra i morsetti B+ e T.

A: le porte di comunicazione RS232 e RS485 **non possono** essere usate e connesse insieme. **Il modulo MC BAC MS è provvisto della sola porta RS485.** Per COLLEGARE i moduli con uscita ethernet o BACnet-IP utilizzare l'apposito conettore RJ45.
[G] Il modulo di comunicazione è provvisto di appositi LED segnalanti lo stato di comunicazione RX o TX.
Operazione preliminare: smontare la finestra di protezione dei contatti **[D]**, utilizzando un apposito cacciavite a taglio.
Bloccaggio e sigillatura dei moduli: per bloccare i moduli agire sugli appositi elementi di fissaggio posti agli angoli dei moduli stessi **[F]**, **[E]**, utilizzando un adeguato cacciavite a taglio **[H]**. Il sigillo va apposto utilizzando i fori dedicati **[F]**.

DEUTSCH



Die Betriebsanleitung aufmerksam lesen. Sollte das Gerät nicht gemäß der Herstellerangaben verwendet werden, könnte der vom Gerät vorgesehene Schutz beeinträchtigt werden.
Wartung: Das Gerät mit einem feuchten Tuch reinigen; keine Scheuer- oder Lösemittel verwenden. Das Gerät vor der Reinigung ausschalten.
ACHTUNG: Pro Typ kann nur ein einziges Modul montiert werden, d.h. insgesamt maximal drei Module. Um Störungen zu vermeiden, sollte die Position der Module gemäß Tabelle 1 eingehalten werden. Außerdem ist darauf zu achten, dass das Anzugsmoment der Klemmschrauben 0,5Nm beträgt. SOWOHL BEI DER MONTAGE, ALS AUCH BEIM AUSBAU DES GERÄTES UND DER MODULE MÜSSEN STROMVERSORGUNG UND STROMLAST STETS VORHER ABGETRENNT WERDEN.

ELEKTRISCHE ANSCHLÜSSE

- [1] Doppelter statischer Ausgang Opto-mosfet.
- [2] Doppelter statischer Ausgang Relais.
- [3] Doppelter analoger Ausgang 20mA DC.
- [4] Doppelter analoger Ausgang 10V DC.
- [5] Ausgang serielle RS485-Anschlüsse. WICHTIG: Weitere mit RS485 ausgestattete Geräte sind parallel angeschlossen. Der Endverschluss des seriellen Ausgangs darf nur am letzten Gerät des Netzes mit einer Überbrückung zwischen den Klemmen B+ und T durchgeführt werden.
- [6] Ausgang serielle RS232-Anschlüsse. WICHTIG: Der Endverschluss muss mit einer Überbrückung zwischen den Klemmen B+ und T durchgeführt werden.

A: Die Kommunikationsanschlüsse RS232 und RS485 können nicht gemeinsam verwendet und angeschlossen werden. **Das MC BAC MS Modul wird nur mit RS485 geliefert.**

Für den ANSCHLUSS der Module an den Ethernet- oder BACnet-IP-Ausgang den dafür vorgesehenen RJ45-Stecker verwenden.
[G] Das Kommunikationsmodul ist mit entsprechenden LED ausgestattet, die den Kommunikationsstatus RX oder TX anzeigen.
Vorbereitung: Das Schutzfenster der Kontakte **[D]** mit einem Schlitzschraubenzieher entfernen.
Befestigung und Versiegelung der Module: Die Befestigung der Module erfolgt über die an den Ecken derselben vorgesehenen Befestigungselemente **[F]**, **[E]**, mit Hilfe eines passenden Schlitzschraubenziehers **[H]**. Das Siegel wird über die hierfür vorgesehenen Löcher **[F]** angebracht.

FRANÇAIS



Lire attentivement le manuel de l'utilisateur. Si l'appareil est utilisé dans des conditions différentes de celles spécifiées par le fabricant, le niveau de protection prévu par l'instrument peut être compromis. **Entretien:** Pour nettoyer l'instrument, utiliser un chiffon humide; ne pas utiliser d'abrasifs ou de solvants. Il faut déconnecter le dispositif avant de procéder au nettoyage.
ATTENTION: il est possible de monter un module unique par type, avec un maximum de trois modules au total. Afin d'éviter les dysfonctionnements, respecter la position des modules comme l'indique le tableau 1. Faire attention à ce que le couple de serrage appliqué aux vis des bornes soit de : 0,5Nm. POUR TOUTES LES OPÉRATIONS DE MONTAGE ET DÉMONTAGE DE L'INSTRUMENT ET DES MODULES IL FAUT QUE L'ALIMENTATION ET LA CHARGE SOIENT DÉBRANCHÉES.

BRANCHEMENTS ÉLECTRIQUES

- [1] Double sortie statique à opto-mosfet.
- [2] Double sortie statique à relais.
- [3] Double sortie analogique à 20mA CC.
- [4] Double sortie analogique à 10V CC.
- [5] Sortie ports série RS485. IMPORTANT: d'autres instruments pourvus de RS485 sont branchés en parallèle. La terminaison de la sortie série doit se faire uniquement sur le dernier instrument du réseau au moyen d'un cavalier entre les bornes B+ et T.
- [6] Sortie ports série RS232. IMPORTANT: procéder à la terminaison au moyen d'un cavalier entre les bornes B+ et T.

A: les ports de communication RS232 et RS485 ne peuvent pas être utilisés et branchés ensemble. **Le module MC BAC MS est fourni uniquement avec RS485.** Pour BRANCHER les modules avec sortie Ethernet ou BACnet-IP utiliser le connecteur RJ45 prévu à cet effet.
[G] Le module de communication est pourvu de LED spécifiques qui signalent l'état de communication RX ou TX.

Opération préliminaire: démonter la fenêtre de protection des contacts **[D]**, en utilisant un tournevis plat approprié.
Bloquer et sceller les modules: pour bloquer les modules, agir sur les éléments de fixation prévus à cet effet, situés aux angles des modules mêmes **[F]**, **[E]**, en utilisant un tournevis plat approprié **[H]**. Poser le sceau en utilisant les trous spécifiques prévus **[F]**.

ESPAÑOL



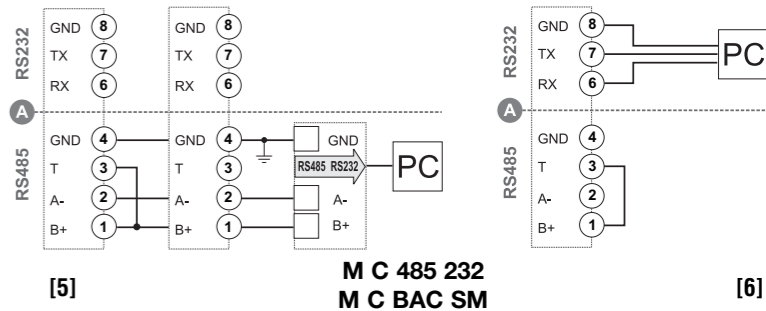
Lea atentamente el manual de instrucciones. Si el instrumento se usa de modo distinto al indicado por el fabricante, la protección de seguridad ofrecida por el instrumento podrá resultar dañada. **Mantenimiento:** para limpiar el equipo utilizar siempre un trapo ligeramente humedecido, nunca productos abrasivos o disolventes. Se recomienda desconectar siempre el instrumento antes de limpiarlo.
ATENCIÓN: es posible montar un solo módulo por tipo, para un total máximo de tres módulos. Para evitar daños respete la posición de los módulos tal como se indica en la tabla 1. Ponga cuidado en que el par de apriete aplicado sea de: 0,5Nm. TODAS LAS OPERACIONES DE MONTAJE Y DESMONTAJE DEL INSTRUMENTO Y DE LOS MÓDULOS DEBE REALIZARSE CON LA ALIMENTACIÓN Y LA CARGA DESCONECTADAS.

CONEXIONES ELÉCTRICAS

- [1] Doble salida estática opto-mosfet.
- [2] Doble salida estática de relé.
- [3] Doble salida analógica de 20mA CC.
- [4] Doble salida analógica de 10V CC.

Tab. 2	A	B	C	D	E	F	G
A	-	4kV	4kV	4kV	4kV	4kV	4kV
B	4kV	2kV	NA	4kV	4kV	4kV	4kV
C	4kV	NA	2kV	4kV	4kV	4kV	4kV
D	4kV	4kV	4kV	-	4kV	4kV	4kV
E	4kV	4kV	4kV	4kV	0kV	4kV	4kV
F	4kV	4kV	4kV	4kV	4kV	-	4kV
G	4kV	4kV	4kV	4kV	4kV	4kV	-

A= Measuring input - Ingressi di misura - Messeingänge - Entrées de mesure - Entr. de medida.
B= Relay outputs - Uscita relè - Relaisausgänge - Sorties à relais - Salidas de relé.
C= Static outputs - Uscita statica - Statische Ausgänge - Sorties statiques - Salidas estáticas.
D= Communication port - Porta di comunicazione - Kommunikations-Schnittstelle - Port de commun - Puerto de comunicación.
E= Analogue outputs - Uscite analogiche - Analoge Ausgänge - Sortie analogiques - Salidas analógicas.
F= Digital inputs - Ingressi digitali - Digitaleingänge - Entrées logiques - Entradas digitales
G= Power supply - Alimentazione - Hilfsstromversorgung - Alimentation auxiliaire - Alimentación auxiliar.



- [5] Salida de puerto serie RS485. **IMPORTANTE:** Instrumentos adicionales dotados de RS485 se conectan en paralelo. La terminación de la salida serie sólo debe realizarse en el último instrumento de la red mediante un puente entre B+ y T.
- [6] Salida de puerto serie RS232. **IMPORTANTE:** realice la terminación mediante un puente entre B+ y T.

A: los puertos de comunicación RS232 y RS485 no pueden utilizarse ni conectarse al mismo tiempo. **El módulo MC BAC MS se suministra sólo con RS485.** Para CONECTAR los módulos con salida ethernet o BACnet-IP utilice el conector RJ45.

[G] Los módulos de comunicación están dotados de LEDs que señalan el estado de comunicación RX o TX.
Operación preliminar: desmonte la ventana de protección de los contactos **[D]**, utilizando un destornillador de punta plana.
Bloqueo y sellado de los módulos: para bloquear los módulos gire en el sentido de las agujas del reloj los específicos elementos de fijación de los extremos de los módulos **[E]**, **[F]**, utilizando un adecuado destornillador de punta plana **[H]**. Para sellar el equipo use los orificios específicos **[F]**.

ENGLISH

Relay outputs (M O R2). Physical outputs 2 (max. one module per instrument). Purpose for either alarm output or pulse output. Type, relay, SPDT type, AC 1-5A @ 250VAC; AC 15-1.5A @ 250VAC, DC 12-5A @ 24VDC; DC 13-1.5A @ 24VDC. Configuration, by means of the front key-pad. Function, the outputs can work as alarm outputs but also as pulse outputs, remote controlled outputs, or in any other combination. Alarms up alarm and down alarm linked to the virtual alarms. Min. response time ≤200ms, filters excluded. Set-point on-time delay: "0 s". Pulse: signal retransmission: Total: +kWh, -kWh, +kvarh, -kvarh. Partial: +kWh, -kWh, +kvarh, -kvarh. Pulse duration, programmable from 0.001 to 10.00 kWh/kvarh per pulse. ≥100ms <120msec (ON), ≥120ms (OFF), according to EN62052-31. Remote controlled outputs: the activation of the outputs is managed through the serial communication port.

Static outputs (M O O2). Opto-Mosfet type. Physical outputs: 2 (max. one module per instrument). Purpose, for either pulse output or alarm output. Signal: VON:2.5VAC/DC/max.100mA, VOFF: 260VAC/DC max. Configuration, by means of the front key-pad. Function: the outputs can work as alarm outputs but also as pulse outputs, remote controlled outputs, or in any other combination. Alarms: up alarm and down alarm linked to the virtual alarms. Min. response time ≤200ms, filters excluded. Set-point on-time delay: "0 s". Pulse: signal retransmission: Total: +kWh, -kWh, +kvarh, -kvarh. Partial: +kWh, -kWh, +kvarh, -kvarh. Pulse duration: programmable from 0.001 to 10.00 kWh/kvarh per pulse. ≥100ms < 120msec (ON), ≥120ms (OFF), according to EN62052-31. Remote controlled outputs: the activation of the outputs is managed through the serial communication port.

20mA analogue outputs (M O A2). Number of outputs 2 (max. one module per instrument). Accuracy (@ 25°C ±5°C, R.H. <60%) ±0.2%FS. Range 0 to 20mA. Configuration: by means of the front key-pad. Signal retransmission: the signal output can be connected to any instantaneous variable available. Scaling factor: programmable within the whole range of retransmission; it allows the retransmission management of all values from 0 to 20 mADC. Response time <400 ms typical (filter excluded). Ripple ≤1% (according to IEC 60688-1, EN 60688-1). Total temperature drift ≤500 ppm/°C. Load ≤600Ω.

10VDC analogue outputs (M O V2). Number of outputs 2 (max. one module per instrument). Accuracy (@ 25°C ±5°C, R.H. ≤60%) ±0.2%FS. Range 0 to 10 VDC. Configuration: by means of the front key-pad. Signal retransmission: the signal output can be connected to any instantaneous variable available. Scaling factor: programmable within the whole range of retransmission; it allows the retransmission management of all values from 0 to 10VDC. Response time: ≤400 ms typical (filter excluded). Ripple: ≤1% (according to IEC 60688-1, EN 60688-1). Total temperature drift: ≤500 ppm/°C. Load: ≥10kΩ.

RS485/RS422 port. Type: multidrop, bidirectional. Connections: 2-wire. Max. distance 1000m, termination directly on the module. Addresses: 247, selectable by means of the front key-pad. Protocols: MODBUS/JBUS (RTU). Protocols: modbus (247 addresses selectable by front key pad); BACnet MS/TP (instance numbers selectable by programming software). Data format: 1 start bit, 8 data bit, no/even/odd parity,1 stop bit. Baud-rate, selectable: 9.6k, 19.2k, 38.4k, 115.2k bit/s. Driver input capability 1/5 unit load. Maximum 160 transceivers on the same bus.

RS232 port (on request). Type: bidirectional. Connections 3 wires. Max. distance 15m. Protocol: MODBUS RTU /JBUS. Data format 1 start bit, 8 data bit, no/even/odd parity,1 stop bit. Baud-rate, selectable: 9.6k, 19.2k, 38.4k, 115.2k bit/s.

Ethernet/Internet port (on request). Protocols: Modbus TCP/IP. IP configuration: Static IP / Netmask / Default gateway. Port selectable (default 502). Client connections: Max 5 simultaneously. Connections: RJ45 10/100 BaseTX. Max. distance 100m.

BACnet-IP (on request). Protocols: BACnet-IP (for measurement reading) and Modbus TCP/IP (for programming parameter, instance number selectable by programming software). IP configuration Static IP / Netmask / Default gateway. BACnet-IP Port. Fixed: BAC0h. Modbus Port Selectable (default 502). Client connections: modbus only: max 5 simultaneously. Connections RJ45 10/100 BaseTX Max. distance 100m.

Operating temperature -25°C to +55°C (-13°F to 131°F) (R.H. from 0 to 90% non-condensing @ 40°C) according to EN62053-21, EN50470-1 and EN62053-23. **Storage temperature** -30°C to +70°C (-22°F to 158°F) (R.H. < 90% non-condensing @ 40°C) according to EN62053-21, EN50470-1 and EN62053-23. **Installation category** Cat. III (IEC60664, EN60664). **Dielectric strength** 4000 VRMS for 1 minute. **Noise rejection** CMRR 100 dB, 48 to 62 Hz. **EMC** according to EN62052-11. Electrostatic discharges: 15kV air discharge. Immunity to irradiated: test with current: 10V/m from 80 to 2000MHz. Electromagnetic fields: test without any current: 30V/m from 80 to 2000MHz. Burst: on current and voltage measuring inputs circuit: 4kV. Immunity to conducted disturbances: 10V/m from 150KHz to 80MHz. Surge: on current and voltage measuring inputs circuit: 4kV; on "L" auxiliary power supply input: 1kV. Radio frequency suppression: according to CISPR 22. **Standard compliance**: safety: IEC60664, IEC61010-1 EN60664, EN61010-1 EN62052-11. Metrology EN62053-21, EN62053-23, EN50470-3. Pulse output: DIN43864, IEC62053-31. **Approvals**: CE, cULus "Listed". **Connections**: Screw-type. Cable cross-section area: max. 2.5 mm2. Min./max. Screws tightening torque: 0.4 Nm / 0.8 Nm. Suggested: 0.5 Nm. **Housing** dimension: "A" and "B" type modules: 89,5x63x16mm. "C" type module: 89,5x63x20mm. Max. depth behind the panel. With 3 modules (A+B+C): 81,7 mm. Material, ABS, self-extinguishing: UL 94 V-0.

Protection degree, front: IP65, NEMA4x, NEM12. Screw terminals: IP20.

ITALIANO

Uscite relè (M O R2). Uscite fisiche, 2 (max. un modulo per strumento). Utilizzo, uscite allarmi o impulsi. Relè, tipo SPDT. CA 1-5A @ 250VCA; CA 15-1,5A @ 250VCA CC; 12-5A @ 24VCC; CC 13-1,5A @ 24VCC. Configurazione, mediante tastiera frontale. Funzione, l'uscita può funzionare come uscita allarme ma anche come uscita impulsi, controllo remoto o in qualsiasi altra combinazione. Allarme in salita, allarme in discesa associate agli allarmi virtuali. Tempo min di risposta ≤200ms, filtro escluso. Ritardo all'attivazione: "0 s". Impulsi, ritrasmissione segnale totale: +kWh, -kWh, +kvarh, -kvarh. Parziale: +kWh, -kWh, +kvarh, -kvarh. La lista di variabili può essere associata ad ogni uscita. Durata impulso programmabile da 0,001 a 10,00 kWh/kvarh per impulso. ≥100ms <120msec (ON), ≥120ms (OFF), secondo EN62052-31. Controllo remoto, l'attivazione delle uscite è gestita mediante la porta seriale di comunicazione.

Uscite statiche (M O O2). Tipo Opto-Mosfett. Uscite fisiche 2 (max. un modulo per strumento). Utilizzo, uscita allarme o impulsi. Segnale VON: 2,5VCA/CC/max.100mA. VOFF: 260VCA/CC max. Configurazione, mediante tastiera frontale. Funzione: l'uscita può funzionare come uscita allarme ma anche come uscita impulsi, controllo remoto o in qualsiasi altra combinazione. Allarme in salita, allarme in discesa associate agli allarmi virtuali. Tempo min risposta: ≤200ms, filtro escluso. Ritardo all'attivazione: "0 s". Impulsi: ritrasmissione segnale totale +kWh, -kWh, +kvarh, -kvarh. Parziale +kWh, -kWh, +kvarh, -kvarh. La lista di variabili può essere associata ad ogni uscita. Durata impulso, programmabile da 0,001 a 10,00 kWh/kvarh per impulso. ≥100ms <120msec (ON), ≥120ms (OFF), secondo EN62052-31. Controllo remoto: l'attivazione delle uscite è gestita mediante la porta seriale di comunicazione.

Uscita analogica 20mA (M O A2). Numero di uscite 2 (max. un modulo per strumento). Precisione (@ 25°C ±5°C, R.H. ≤60%) ±0,2%FS. Campo da 0 a 20mA. Configurazione, mediante tastiera frontale. Ritrasmissione segnale, il segnale d'uscita può essere associato ad ogni variabile istantanea disponibile. Fattore di scala programmabile all'interno di tutto il campo di ritrasmissione; permette la gestione della ritrasmissione di tutti i valori da 0 a 20 mA. Tempo di risposta ≤400 ms tipico (filtro escluso). Ripple ≤1% (secondo IEC 60688-1, EN 60688-1). Deriva termica totale ≤500 ppm/°C. Carico ≥10kΩ.

10VDC analogue outputs (M O V2). Numero di uscite 2 (max. un modulo per strumento). Precisione (@ 25°C ±5°C, R.H. ≤60%) 0,2%FS. Campo da 0 a 10VCC. Configurazione mediante tastiera frontale. Ritrasmissione segnale: il segnale d'uscita può essere associato ad ogni variabile istantanea disponibile. Fattore di scala programmabile all'interno di tutto il campo di ritrasmissione; permette la gestione della ritrasmissione di tutti i valori da 0 a 10VCC. Tempo di risposta ≤400 ms tipico (filtro escluso). Ripple ≤1% (secondo IEC 60688-1, EN 60688-1). Deriva termica totale ≤500 ppm/°C. Carico ≥10kΩ.

Porta RS485/RS422 (a richiesta). Tipo: Multidrop, bidirezionale. Connessione 2 fili. Distanza massima 1000m, terminazione direttamente sullo strumento. Protocolli: MODBUS (247 indirizzi selezionabili dalla tastiera frontale); BACnet MS/TP (numero istanza selezionabile mediante software). Formato dati: 1 bit di start, 8 bit di dati, nessuna parità, 1 bit di stop. Velocità di comunicazione selezionabile: 9,6k, 19,2k, 38,4k, 115,2k bit/s. Dispositivi in rete 1/5 unit load. Massimo 160 dispositivi nella stessa rete.

Porta RS232 (a richiesta). Tipo: bidirezionale. Connessioni 3 fili. Distanza max. 15m. Protocollo MODBUS RTU /JBUS. Formato dati: 1 bit di start, 8 bit di dati, nessuna parità, 1 bit di stop. Velocità di comunicazione selezionabile: 9,6k, 19,2k, 38,4k, 115,2k bit/s. Dispositivi in rete 1/5 unit load. Massimo 160 dispositivi nella stessa rete.

Porta Ethernet/Internet (a richiesta). Protocollo Modbus TCP/IP. Configurazione IP: IP statico / Netmask / Gateway di default. Porta selezionabile (default 502). Connessioni utente Max 5 simultanei. Connessioni RJ45 10/100 BaseTX. Distanza max 100m.

BACnet-IP (a richiesta). Protocollo BACnet-IP (per la lettura delle misure) e Modbus TCP/IP (per la programmazione dei parametri, numero istanza selezionabile mediante software). Configurazione IP: IP statico / Netmask / Gateway di default: Porta BACnet-IP. Fisso: BAC0h. Porta Modbus selezionabile (default 502). Connessioni utenti, solo Modbus: max 5 simultanei. Connessioni: RJ45 10/100 BaseTX. Distanza max 100m.

Temperatura di funzionamento da -25°C a +55°C (da -13°F a 131°F) (U.R. da 0 a 90% senza condensa @ 40°C) secondo EN62053-21 e EN62053-23. **Temperatura di immagazzinamento** da -30°C a +70°C (da -22°F a 140°F) (U.R. < 90% senza condensa @ 40°C) secondo EN62053-21 e EN62053-23. **Categoria di installazione**: Cat. III (IEC60664, EN60664). **Isolamento (per 1 minuto)** 4000 VRMS tra ingressi di misura ed alimentazione. 4000 VRMS tra alimentazione e RS485/uscita digitali. **Rigidità dielettrica** 4000 VRMS per 1 minuto. **Reiezione** CMRR 100 dB, da 48 a 62 Hz. **EMC** secondo EN62052-11. Scariche elettrostatiche 15kV scarica in aria; Immunità campi elettromagnetici irradianti, provato con corrente applicata: 10V/m da 80 a 2000MHz; provato senza corrente applicata: 30V/m da 80 a 2000MHz. Immunità ai transistori veloci, sui circuiti degli ingressi di misura in corrente e tensione: 4kV. Immunità ai radiodisturbi condotti: 10V/m da 150KHz a 80MHz. Immunità ad impulso, sui circuiti degli ingressi di misura in corrente e tensione: 4kV; sull'alimentazione "L": 1kV. Emissioni in radiofrequenza: secondo CISPR 22. **Conformità alle norme**: sicurezza IEC60664, IEC61010-1 EN60664, EN61010-1 EN62052-11. Metrologia: EN62053-21, EN50470-3, EN62053-23. Uscita impulsiva DIN43864, IEC62053-31. Approvazioni: CE, cULus listed. **Connessioni**: a vite. Sezione del cavo: max. 2,5 mm2. Coppia min./max serraggio: 0,4 Nm / 0,8 Nm. Consigliata: 0,5 Nm. **Custodia**: dimensioni (LxAxP). Moduli tipo "A" e "B": 89,5x63x16mm. Modulo tipo "C": 89,5x63x20mm. Ingombro massimo dietro il pannello Con 3 moduli (A+B+C): 81,7 mm. Materiale: nylon PA66, autoestinguenza: UL 94 V-0. Montaggio a pannello. **Grado di protezione**: frontale: IP65, NEMA4x, NEM12. Morsetti: IP20.

DEUTSCH

Relaisausgängen (M O R2). Physisch Ausgänge 2 (max. 1 Modul pro Netzwerk). Funktionsbereich: für Alarm- oder Impulsausgang. Typ Relais, SPDT Typ AC 1-5A bei 250VAC; AC 15-1,5A bei 250VAC DC 12-5A bei 24VDC; DC 13-1,5A bei 24VDC. Konfiguration: Durch die vordere Tastatur: Funktion Die Ausgänge können als Alarmausgänge benutzt werden, aber auch als Impulsausgänge, ferngesteuerte Ausgänge oder in jeder anderen beliebigen Kombination. Alarm: Überschreitung, Unterschreitung verbunden mit virtuellem Alarm, für weitere Einzelheiten siehe Virtuelle Alarme. Min. Ansprechzeit: ≤200ms, (ohne Filter) und Einstellung der Einschalt-zeitverzögerung: "0 s". Impuls Signalweiterübertragung, Gesamt: +kWh, -kWh, +kvarh, -kvarh. Partiiell : +kWh, -kWh, +kvarh, -kvarh. Impulstyp, Die oben aufgelisteten Variablen können mit jedem beliebigen Ausgang verbunden werden. Impulsdauer Programmierbar von 0.001 bis 10,00 kWh/kvarh por Impuls. ≥100ms <120msec (ON), ≥120ms (OFF), gemäß EN62052-31. Ausgägngefernsteuerung Die Aktivierung der Ausgänge wird gehandhabt durch serielle schnittstelle.

Statikausgänge (M O O2). Typ: Opto-Mos. Physisch Ausgänge 2 (max. 1 Modul por Netzwerk). Funktionsbereich, Für Alarm- oder Impulsausgang. Signal, VON:2.5VAC/DC/max.100mA. VOFF: 260VAC/DC max. Konfiguration au moyen de clavier avant. Fonction: Die Ausgänge können als Alarmausgänge benutzt werden, aber auch als Impulsausgänge, ferngesteuerte Ausgänge oder in jeder anderen beliebigen Kombination. Alarm: Überschreitung, Unterschreitung verbunden mit virtuellem Alarm, für weitere Einzelheiten siehe Virtuelle Alarme. Min. Ansprechzeit ≤200ms, (ohne Filter) und Einstellung der Einschalt-zeitverzögerung: "0 s". Impuls: Signalweiterübertragung. Gesamt: +kWh, -kWh, +kvarh, -kvarh. Partiiell: +kWh, -kWh, +kvarh, -kvarh. Impulstyp: Die oben aufgelisteten Variablen können mit jedem beliebigen Ausgang verbunden werden. Impulsdauer: Programmierbar von 0,001 bis 10,00 kWh/kvarh por Impuls. ≥100ms < 120msec (ON), ≥120ms (OFF), gemäß EN62052-31. Ausgägngefernsteuerung, Die Aktivierung der Ausgänge wird gehandhabt durch serielle schnittstelle.

20mA Analogue Ausgänge (M O A2). Anzahl der Ausgänge 2 (max. 1 Modul por Netzwerk). Genauigkeit (bei 25°C ±5°C, R.F. ≤60%) ±0,2%BE. Bereich: 0 bis 20mA. Konfiguration, Durch die vordere Tastatur. Signalweiterübertragung: Der Signalausgang kann mit einer beliebigen unmittelbaren Variable. Skalierungsfaktor: Programmierbar innerhalb des gesamten Bereichs der Weiterübertragung: gestattet die Verwaltung der Weiterübertragung aller Werte von 0 bis 20 mADC. Ansprechzeit ≤400 ms typisch (ohne Filter). Wellenstrom: ≤1% (gemäß IEC 60688-1, EN 60688-1). Temperaturdrift insgesamt: ≤500 ppm/°C. Last: ≤600Ω.

10VDC Analogue Ausgänge (M O V2). Anzahl der Ausgänge 2 (max. 1 Modul por Netzwerk). Genauigkeit (bei 25°C ±5°C, R.F. ≤60%): ±0,2%BE. Bereich: 0 bis 10 VDC. Konfiguration: Durch die vordere Tastatur. Signalweiterübertragung: Der Signalausgang kann mit einer beliebigen unmittelbaren Variable. Skalierungsfaktor: Programmierbar innerhalb des gesamten Bereichs der Weiterübertragung: gestattet die Verwaltung der Weiterübertragung aller Werte von 0 bis 10VDC. Ansprechzeit: ≤400 ms typisch (ohne Filter). Welligkeit (Rippel): ≤1% (gemäß IEC 60688-1, EN 60688-1). Temperaturdrift insgesamt: ≤500 ppm/°C. Last: ≥10kΩ. **Schnittstelle RS485/RS422 (auf Anfrage)**. Typ: Multidrop, Bidirektional . Anschlüsse: 2-Leiter. Max. Entfernung 1000m, Abschluss direkt am Modul. Protokolle: MODBUS/JBUS (RTU). Protokolle: MODBUS (247 wählbar über die vordere Tastatur); BACnet MS/TP (Instanz-Anzahl wählbar über die Programmiersoftware). Datenformat: 1-Startbit, 8-Datenbits, keine Parität/gerade Parität, ungerade Parität, 1 Stopptbit, Übertragungsgeschwindigkeit: Wählbar: 9,6k, 19,2k, 38,4k, 115,2k bit/s. Treiber Eingangsimpetanz 1/5 Leistungsaufnahme Maximal Geräte 160 am gleichen Bus.

Schnittstelle RS232 (auf Anfrage). Typ: Bidirektional. Anschlüsse: 3-Leiter. Max. Entfernung 15m. Protokoll: MODBUS RTU /JBUS. Datenformat: 1-Startbit, 8-Datenbits, keine Parität/gerade Parität, ungerade Parität, 1 Stopptbit, Übertragungsgeschwindigkeit. Wählbar: 9,6k, 19,2k, 38,4k, 115,2k bit/s. **Ethernet/Internet Schnittstelle (auf Anfrage)**. Protokoll: Modbus TCP/IP. IP Konfiguration: Statisch IP / Netzmaske / Standard-Gateway. Schnittstelle: Wählbar (Standard 502). Client Verbindung: Max 5 gleichzeitig. Anschlüsse: RJ45 10/100 BaseTX. Max. Entfernung 100m.

BACnet-IP (auf Anfrage). Protokoll: BACnet-IP (für Messunganzeige) und Modbus TCP/IP (für Parameterprogrammierung, Instanz-Anzahl wählbar über die Programmiersoftware). IP Konfiguration: Statisch IP / Netzmaske / Standard-Gateway. Schnittstelle: BACnet-IP. Fest: BAC0h. Modbus Schnittstelle: Wählbar (Standard 502). Client Verbindung: nur Modbus: Max 5 gleichzeitig. Anschlüsse: RJ45 10/100 BaseTX. Max. Entfernung 100m. **Betriebstemperatur** -25°C bis +55°C (-13°F bis 131°F) (R.F. von 0 bis 90% nicht kondensierend bei 40°C) gemäß EN62053-21, EN50470-1 und EN62053-23. **Legertemperatur**: -30°C bis +70°C (-22°F bis 158°F) (R.F. < 90% nicht kondensierend bei 40°C) gemäß EN62053-21, EN50470-1 und EN62053-23. **Installationskategorie**: Kat. III (IEC60664, EN60664). **Durchschlagfestigkeit**: 4kVAC RMS für 1 Minute. **Rauschdrückungsverhältnis**: GTUV 100 dB, 48 bis 62 Hz. **EMC**: According to EN62052-11. Elektrostatische Entladungen: 15kV air discharge; Strahlungsimmunität: Test mit angelegten Strom: 10V/m von 80 bis 2000MHz; Elektromagnetfeld. Test ohne angelegten Strom: 30V/m von 80 bis 2000MHz; Ladungsimpuls: Am Strom- und Eingangsspannungsmesskreis: 4kV. Leiterstörungsimmunität: 10V/m von 150KHz bis 80MHz. Überspannungsfestigkeit: Strom- und Eingangsspannungsmesskreis: 4kV; an „L“ Hilfsstromversorgungseingang: 1kV; Störausstrahlung Gemäß CISPR 22. **Standardkonformität**: Sicherheit: IEC60664, IEC61010-1 EN60664, EN61010-1 EN62052-11. Messungen: EN62053-21, EN62053-23, EN50470-3. MID "Anhang MI-003". Impulsausgang: DIN43864, IEC62053-31. Zulassungen: CE, cULus "Listed". **Anschlüsse**: Schraubklemmen, Kabelquerschnitt: 2,5 mm2. Min./Max. Anzungsmoment: 0,4 Nm / 0,8 Nm. Empfohlene Anzungsmoment: 0,5 Nm. **Gehäuse DIN** Abmessungen (LxHxB): "A" und "B" Module: 89,5x63x16mm. "C" Module: 89,5x63x20mm. Max. Tiefe hinter der DIN-Schiene Mit 3 Modulen (A+B+C): 81,7 mm. Material ABS, selbstlöschend: UL 94 V-0. Montage: DIN-Schiene. **Schutzgrad**: Vorderseite, IP65, NEMA4x, NEM12. Schraubklemmen: IP20.

Français

Sortie relais (M O R2). Sorties physiques: 2 (max. un module par instrument). Objectif: pour sortie d'alarme ou sortie à impulsions. Type: Relais, type SPDT CA 1-5A @ 250VCA; CA 15-1,5A @ 250VAC. CC 12-5A @ 24VCC; CC 13-1,5A @ 24VCC. Configuration au moyen de clavier avant. Fonction: les sorties peuvent aussi fonctionner en tant que sorties d'alarme, sorties d'impulsion, sorties de contrôle à distance, ou d'autres combinaisons. Alarme: alarme max, alarme min relié aux alarmes virtuelles, d'autres détails voir Alarme virtuelles. Temps de réponse min. ≤200ms, filtre exclu. Point de réglage du délai on-time: "0 s". Impulsion: signal de retransmission Total: +kWh, -kWh, +kvarh, -kvarh. Partiel: +kWh, -kWh, +kvarh, -kvarh. Type d'impulsion: les variables mentionnées ci-dessus peuvent être connectées à n'importe quelle sortie. Durée d'impulsion: programmable de 0,001 à 10,00 kWh/kvarh par impulsion. ≥100ms <120msec (ON), ≥120ms (OFF), selon EN62052-31. Contrôle à distance: l'activation des sorties est gérée à travers le port série de communication.

Sortie statique (M O O2). Type Opto-Mos. Sorties physiques 2 (max. un module par instrument). Objectif: pour sortie d'alarme ou sortie à impulsions. Signal: VON: 2,5VCA/CC/max.100mA, VOFF: 260VCA/CC max. Configuration au moyen de clavier avant. Fonction: les sorties peuvent aussi fonctionner en tant que sorties d'alarme, sorties d'impulsion, sorties de contrôle à distance, ou d'autres combinaisons. Alarme: alarme max, alarme min relié aux alarmes virtuelles, d'autres détails voir Alarme virtuelles. Temps de réponse min. ≤200ms, filtre exclu. Point de réglage du délai on-time: "0 s". Impulsion: signal de retransmission, Total: +kWh, -kWh, +kvarh, -kvarh. Partiel: +kWh, -kWh, +kvarh, -kvarh. Type d'impulsion: les variables mentionnées ci-dessus peuvent être connectées à n'importe quelle sortie. Durée d'impulsion: programmable de 0,001 à 10,00 kWh/kvarh par impulsion. ≥100ms < 120msec (ON), ≥120ms (OFF), selon EN62052-31. Contrôle à distance L'activation des sorties est gérée à travers le port série de communication.

Sorties analogiques 20mA (M O A2). Nombre de sorties 2 (max. un module par instrument). Précision (@ 25°C ±5°C, H.R. ≤60%): ±0,2% PE. Intervalle 0 à 20mA. Configuration au moyen de clavier avant. Signal de retransmission: la sortie du signal peut être connectée à n'importe quelle variable disponible. Facteur d'échelle: programmable dans toute la plage de retransmission ; il permet de gérer la retransmission de toute valeur à partir de 0 à 20 mACC. Temps de réponse: ≤400 ms typique (filtre exclu). Ondulation: ≤1% (selon IEC 60688-1, EN 60688-1). Dérive de température totale ≤500 ppm/°C. Charge: ≤600Ω.

Sorties analogiques 10VCC (M O V2). Nombre de sorties: 2 (max. un module par instrument). Précision (@ 25°C ±5°C, H.R. ≤60%): ±0,2% PE. Intervalle 0 à 10 VDC. Configuration au moyen de clavier avant. Signal de retransmission: la sortie du signal peut être connectée à n'importe quelle variable disponible. Facteur d'échelle: programmable dans toute la plage de retransmission; il permet de gérer la retransmission de toute valeur à partir de 0 à 10VCC. Temps de réponse ≤400 ms typique (filtre exclu). Ripple (ondulation): ≤1% (selon IEC 60688-1, EN 60688-1). Dérive de température totale ≤500 ppm/°C. Charge: ≥10kΩ.

Port RS485/RS422 (sur demande). Type, circuit multipoints, bidirectionnel. Connexions: 2 câbles, Distance max 1000m, Raccordement directement sur le module. Protocoles: MODBUS/JBUS (RTU). Protocoles: MODBUS (247 à sélectionner au moyen du clavier avant); BACnet MS/TP (nombre d'instance sélectionnable par logiciel de programmation). Format de données: 1 bit de départ, 8 bits de données,pas de parité, parité paire, parité impaire, 1 bit de stop. Baud-rate: à sélectionner: 9,6k, 19,2k, 38,4k, 115,2k bit/s. Capacité entrée driver: 1/5 unités en charge. Maximum 160 émetteurs/ récepteurs sur le même bus.

Port RS232 (sur demande). Type bidirectionnel. Connexions: 3 câbles, distance max 15m. Protocole: MODBUS RTU/ JBUS. Format de données: 1 bit de départ, 8 bits de données,pas de parité, parité paire, parité impaire, 1 bit de stop. Baud-rate: à sélectionner: 9,6k, 19,2k, 38,4k, 115,2k bit/s.

Port Ethernet/Internet (sur demande). Protocole: Modbus TCP/IP. Configuration IP: IP statique / Netmask / Portail implicite. Port: à sélectionner (implicite 502). Connexions client Max. 5 simultanément. Connexions: RJ45 10/100 BaseTX. Distance max 100m.

BACnet-IP (sur demande). Protocole: BACnet-IP (pour la lecture de mesure) et Modbus TCP/IP (pour paramètre de programmation, nombre d'instance sélectionnable par logiciel de programmation). Configuration IP: IP statique / Netmask / Portail implicite Port BACnet-IP. Fixe: BAC0h. Port Modbus à sélectionner (implicite 502). Connexions client, seul. Modbus: Max. 5 simultanément. Connexions RJ45 10/100 BaseTX. Distance max.100m.

Température de fonctionnement -25°C à +55°C (-13°F à 131°F) (H.R. de 0 à 90% sans condensation @ 40°C) selon EN62053-21, EN50470-1 and EN62053-23. **Température de stockage** -30°C à +70°C (-22°F à 158°F) (H.R. < 90% sans condensation @ 40°C) selon EN62053-21, EN50470-1 and EN62053-23. **Catégorie d'installation** Cat. III (IEC60664, EN60664). **Tension diélectrique**: 4kVCA RMS pour 1 minute. **Émission de bruit** CMRR 100 dB, 48 à 62 Hz. **CEM**: selon EN62052-11. Décharges électrostatiques 15kV décharge atmosphérique. Immunité à l'irradiation: test avec courant: 10V/m de 80 à 2000MHz. Champs électromagnétiques: test sans aucun courant: 30V/m de 80 à 2000MHz. Transitoires: sur circuit d'entrées de mesure courant et tension: 4kV. Immunité aux bruits par conduction 10V/m de 150KHz à 80MHz. Surtesion: sur circuit d'entrées de mesure courant et tension: 4kV; sur entrée d'alimentation auxiliaire « L »: 1kV; suppression fréquence radio, selon CISPR 22. **Conformité aux standards**: sécurité IEC60664, IEC61010-1 EN60664, EN61010-1 EN62052-11. Métrologie: EN62053-21, EN62053-23, EN50470-3. MID "annexe MI-003". Sortie impulsion DIN43864, IEC62053-31. **Approbations**: CE, cULus "Listed". **Connexions**: À vis, Section de câbles max. 2,5 mm2. Min./Max. couple de serrage de vis: 0,4 Nm / 0,8 Nm. Couple de serrage de vis recommandé: 0,5Nm. **Boîtier DIN** Dimensions (LxHxD). Modules "A" et "B": 89,5x63x16mm.Modules"C": 89,5x63x20mm. Profondeur max. derrière le panneau. Avec 3 modules (A+B+C): 81,7 mm Matériau ABS, autoextinguible: UL 94 V-0. Montage: montage sur panneau. **Indice de protection**: face avant IP65, NEMA4x, NEM12. Terminaisons de vis IP20.

Salidas de relé (M O R2). Salidas físicas: 2 (máx. un módulo por equipo). Finalidad: Para salida de alarma o de pulso. Tipo: Relé, tipo SPDT CA 1-5A a 250VCA; CA 15-1,5A a 250VAC. DC 12-5A a 24VCC; DC 13-1,5A a 24VCC. Configuración: mediante teclado frontal. Función: las salidas pueden funcionar como salidas de alarma,pero también como salidas de pulso, salidas de control remoto o en cualquier otra combinación. Alarmas: alarma de máx., alarma de mín., vinculadas con alarmas virtuales, para más detalles véase: alarmas virtuales. Tiempo mín. respuesta: ≤200ms, filtro excluido. Retardo de activ. punto de consigna: "0s". Pulso: retransmisión de señal, Total: +kWh, -kWh, +kvarh, -kvarh. Parcial: +kWh, -kWh, +kvarh, -kvarh. Salidas de pulso: las anteriores variables pueden conectarse a cualquier salida. Duración del pulso: programable de 0,001 a 10,00 kWh/kvarh por pulso. ≥100ms <120ms (ON), ≥120ms (OFF), según norma EN62052-31. Control remoto: la activación de las salidas se gestiona mediante el puerto de comunicacón.

Salidas estáticas (M O O2). Tipo Opto-Mos. Salidas físicas: 2 (máx. un módulo por equipo). Finalidad: para salida de alarma o de pulso. Señal: VON: 2.5VCA/CC/máx.100mA. VOFF: 260VCA/CC máx. Configuración: mediante teclado frontal. Función: las salidas pueden funcionar también como salidas de alarma, como salidas de pulso, como salidas de control remoto, o en cualquier otra combinación. Alarmas: alarma de máx., alarma de mín., vinculadas con alarmas virtuales, para más detalles véase Alarmas virtuales. Tiempo mín. de respuesta: ≤200ms, filtro excluido. Retardo de activ. punto de consigna: "0s". Pulso: Retransmisión de señal: Total: +kWh, -kWh, +kvarh, -kvarh. Parcial: +kWh, -kWh, +kvarh, -kvarh. Salidas de pulso: las anteriores variables pueden conectarse a cualquier salida. Duración del pulso: programable de 0,001 a 10,00 kWh/kvarh por pulso. ≥100ms < 120ms (ON), ≥120ms (OFF), según norma EN62052-31. Control remoto: la activación de las salidas se gestiona mediante el puerto de comunicación.

Salidas analógicas 20mA (M O A2). Numero de salidas: 2 (máx. un módulo por equipo). Precisión (a 25°C ±5°C, H.R. ≤60%): ±0,2%f.e. Escala: 0 a 20mA. Configuración: mediante teclado frontal. Retransmisión de señal: la salida de la señal puede conectarse a cualquier variable instantánea disponible. Factor de escala: programable en toda la escala de retransmisión; permite controlar la retransmisión de todos los valores desde 0 a 20 mACC. Tiempo de respuesta: ≤400 ms típico (filtro excluido). Ondulación: ≤1% (según normas IEC 60688-1, EN 60688-1). Variación total de temperatura: ≤500 ppm/°C. Carga: ≤600Ω.

Salidas analógicas 10VCC (M O V2). Numero de salidas: 2 (máx. un módulo por equipo). Precisión (a 25°C ±5°C, H.R. ≤60%): ±0,2%f.e. Escala: 0 a 10 VCC. Configuración: mediante el teclado frontal. Retransmisión de señal: la salida de la señal puede conectarse a cualquier variable instantánea disponible. Factor de escala: programable en toda la escala de retransmisión; permite controlar la retransmisión de todos los valores desde 0 a 10VCC. Tiempo de respuesta: ≤400 ms típico (filtro excluido). Rizado: ≤1% (según normas IEC 60688-1, EN 60688-1). Variación total de temperatura: ≤500 ppm/°C. Carga: ≥10kΩ.

Puerto RS485/RS422 (opcional). Tipo: multiterminal, bidireccional. Conexiones: 2 hilos. Distancia máx: 1000m, terminación directamente en el módulo. Protocoles: MODBUS/JBUS (RTU). Protocoles: MODBUS (247 seleccionable a través del teclado frontal); BACnet MS/TP (número de instancia seleccionable por software de programación). Formato de datos: 1 bit de arranque, 8 bit de datos, sin paridad, paridad par, paridad impar,1 bit de parada. Velocidad en baudios: seleccionable: 9,6k, 19,2k, 38,4k, 115,2k bit/s. Capacidad de entrada del driver; Carga unitaria, 1/5. Máximo: 160 transeptores en el mismo bus.

Puerto RS232 (opcional). Tipo: bidireccional. Conexiones: 3 hilos. Distancia máx 15m. Protocolo MODBUS RTU /JBUS. Formato de datos: 1 bit de arranque, 8 bit de datos, sin paridad, paridad par, paridad impar,1 bit de parada. Velocidad en baudios: seleccionable: 9,6k, 19,2k, 38,4k, 115,2k bit/s.

Puerto Ethernet/Internet (opcional). Protocolo

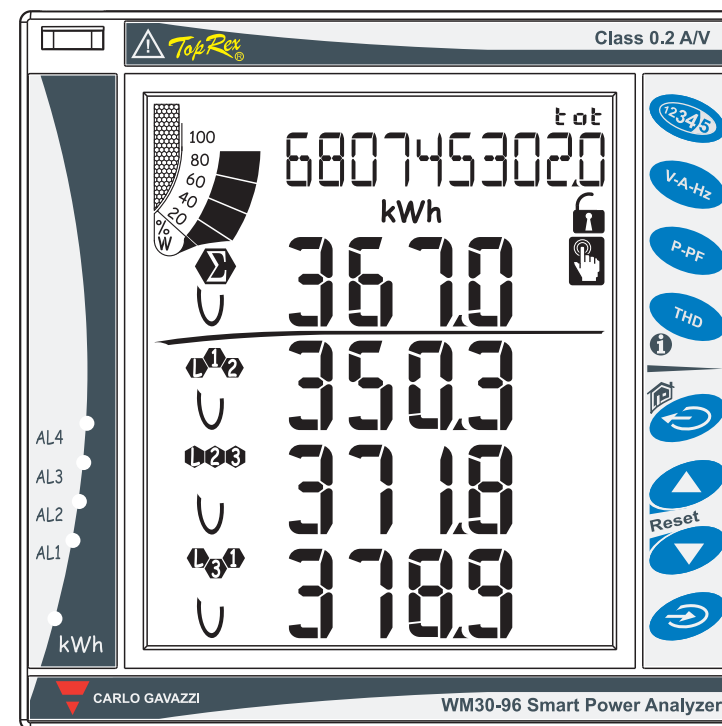
Manuale di Istruzioni

Visualizzazione, Programmazione.

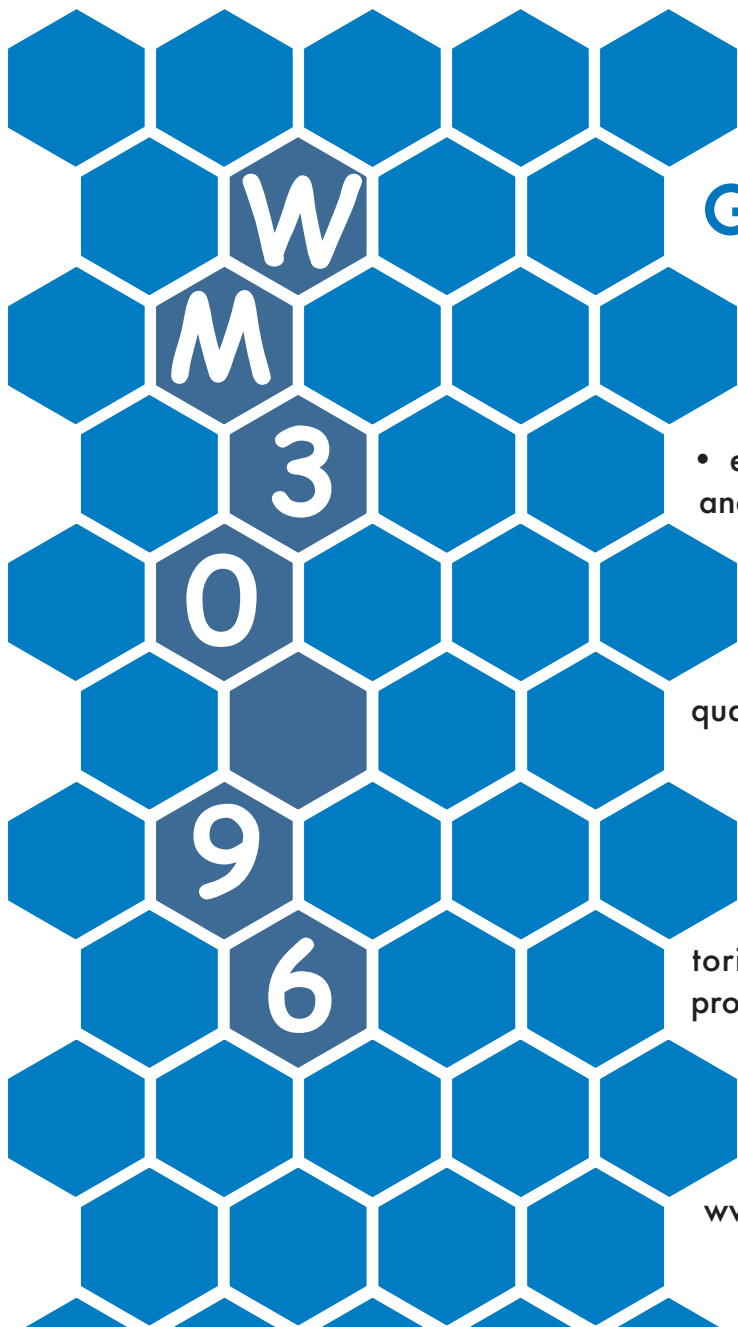
Sistema Modulare

Classe 0,2 A/V

CE cUL US LISTED



Control



Grazie per aver scelto i nostri prodotti

WM30-96:

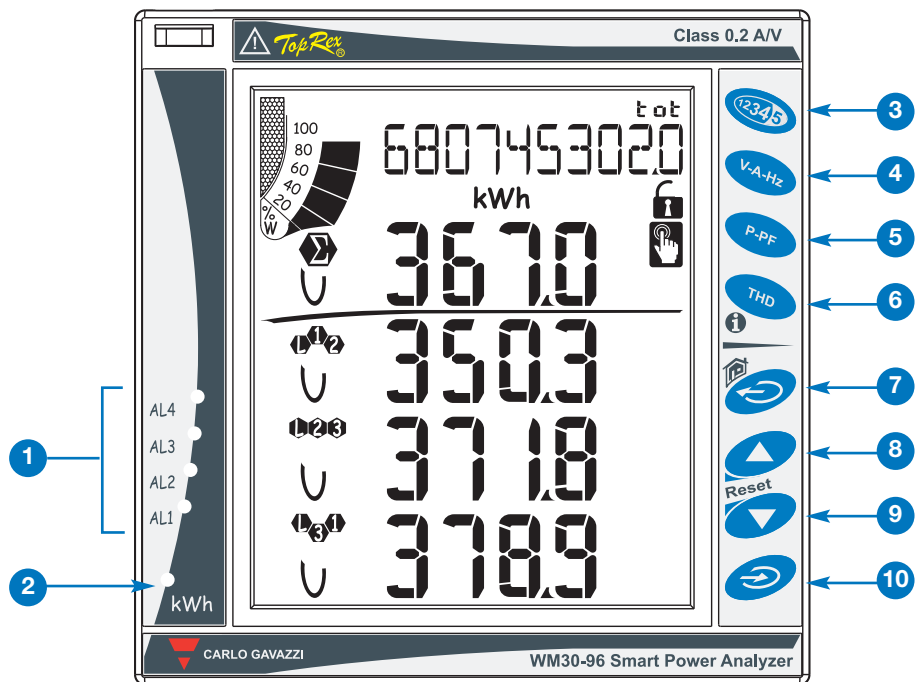
- elevata precisione (classe 0,2 A/V);
- elevate prestazioni di calcolo per una rapida analisi del segnale (FFT fino alla 32a armonica);
- ampie possibilità di connettività.

WM30-96 è la risposta tecnologicamente avanzata alle vostre esigenze di analisi della qualità della rete.

Inoltre, potrete contare su una struttura Aziendale certificata ISO9001/VISION2000, un'esperienza pluridecennale e un'importante presenza sul territorio. Tutto per offrirvi i prodotti e il servizio migliori.

Benvenuti nel Mondo Carlo Gavazzi, ringraziandoVi per la Vostra scelta vi invitiamo a valutare tutti i nostri prodotti al sito:

www.gavazzi-automation.com



DESCRIZIONE DELLO STRUMENTO

- 1 Avvisatori allarmi virtuali attivi.
- 2 Indicatore assorbimento di energia (kWh) in atto mediante lampeggio proporzionale all'energia misurata (più alta è la frequenza di lampeggio maggiore è l'energia consumata. Frequenza massima 16Hz secondo la normativa EN5047-1).

La tastiera è divisa in due aree, l'area superiore dedicata alle misure con accesso diretto a specifiche pagine di visualizzazione.

- 3 Visualizzazione delle pagine dei contatori: ad ogni pressione del tasto corrisponde la visualizzazione di una pagina dei contatori di energia diversa (vedere la tabella con le pagine di misura riportata di seguito).
- 4 Visualizzazione delle tensioni correnti e frequenza (vedere la tabella con le pagine di misura riportata di seguito).
- 5 Visualizzazione del $\cos\phi$ e delle potenze istantanee (vedere la tabella con le pagine di misura riportata di seguito).
- 6 Visualizzazione delle armoniche, vedere la tabella con le pagine di misura riportata di seguito.

La tastiera dell'area inferiore è dedicata specialmente alla programmazione dello strumento.

- 7 Uscita dai sottomenù, uscita dalla programmazione.
- 8 Tasto "su" permette lo scorrere dei menù e l'incremento dei valori da impostare.
- 9 Tasto "giù" permette lo scorrere dei menù e il decremento dei valori da impostare.
- 10 Accesso al menù di programmazione: **tener premuto almeno 2 secondi per accedere al menù di programmazione.**

In modalità misura i tasti 8 e 9 permettono la visualizzazione dei valori MAX e dmd delle variabili visualizzate.

FUNZIONI AGGIUNTIVE DEI TASTI

I tasti contrassegnati da una doppia icona hanno una doppia funzione, per accedere alla funzione secondaria tener premuto a lungo il tasto corrispondente alla funzione secondaria desiderata.

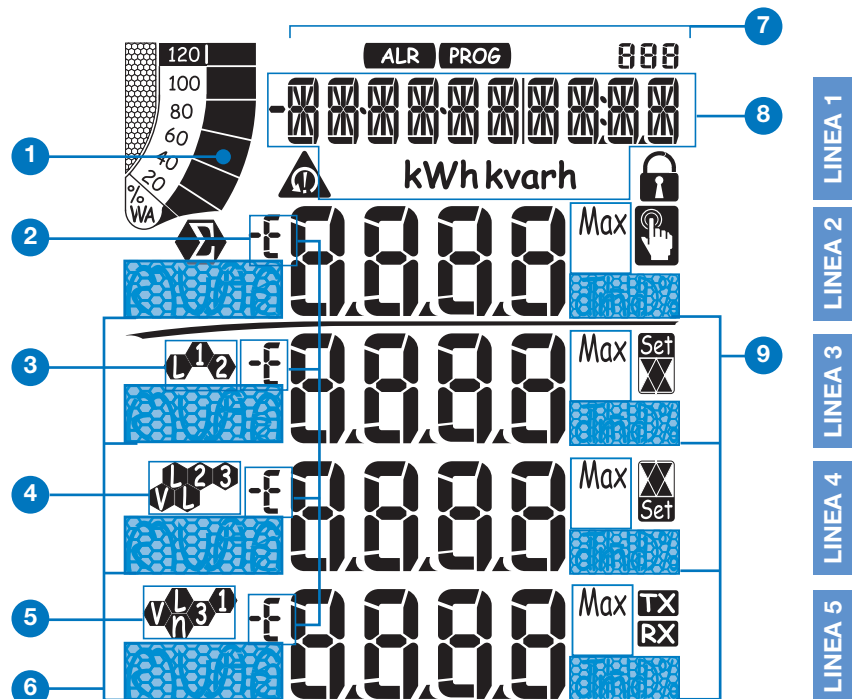
Accesso alle pagine di informazione dello strumento: normative di riferimento, versione del firmware, anno di produzione.

Tasto "Home" da qualunque pagina di misura, da qualunque menù si ritorna alla pagina di misura principale (personalizzabile dall'utente). **Se si è nel menù di programmazione i dati eventualmente inseriti non saranno salvati.**

Tenendo premuto il tasto 8 si accede al reset dei MAX delle variabili visualizzate. Tenendo premuto il tasto 9 si accede al reset dei dmd delle variabili visualizzate. Il reset deve essere confermato con il tasto 10.

I tasti sono del tipo evoluto a sfioramento per verificarne l'effettivo azionamento una apposita icona si illumina sul display ad ogni pressione di uno qualunque dei tasti.

Si raccomanda l'uso del dito indice per attivare i tasti a sfioramento.


DESCRIZIONE DEL DISPLAY

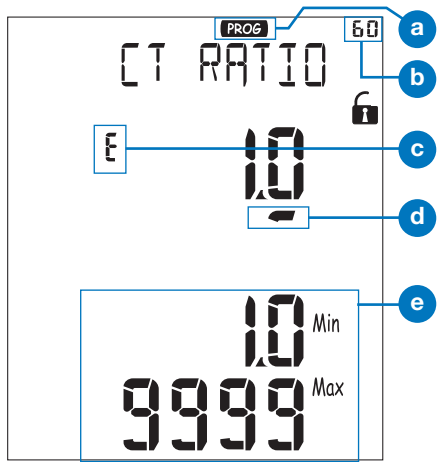
- 1** Barra grafica di visualizzazione della potenza attiva e apparente consumata in rapporto alla potenza installata.
- 2** Indicazioni dello sfasamento induttivo L, -L, o capacitivo C, -C della fase.
- 3** Indicazione della misura fase-neutro L1 o fase-fase L12.
- 4** Indicazione della misura fase-neutro L2 o fase-fase L23 o della asimmetria fase-fase VLL.
- 5** Indicazione della misura fase-neutro L3 o fase-fase L31 o della asimmetria fase-neutro VLn.
- 6** Indicazione dell'unità ingegneristica e del moltiplicatore: k, M, V, W, A, var (VAr), PF (Pf), Hz, An.
- 7** ALR: è attiva la modalità di visualizzazione degli allarmi. PROG: è attiva la modalità di programmazione.
- 8** Area dedicata alla visualizzazione dei contatori e dei messaggi di testo, data ed ora (formato: gg.mm.aa/oo:mm). Contatori d'energia (vedere tabella sulla pagina seguente).
- 9** Indicazione di: dmd, THD%, o Max.
- 10** Indica che tutti i valori istantanei visualizzati sono di sistema.
- 11** Allarme di errore sequenza fasi.
- 12** Programmazione strumento abilitata.
- 13** Programmazione strumento bloccata.
- 14** Trasmissione (TX) e ricezione (RX) dati, via comunicazione di rete, in corso.

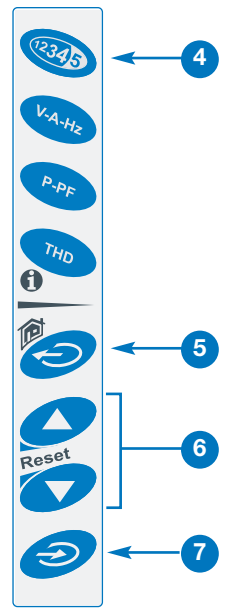
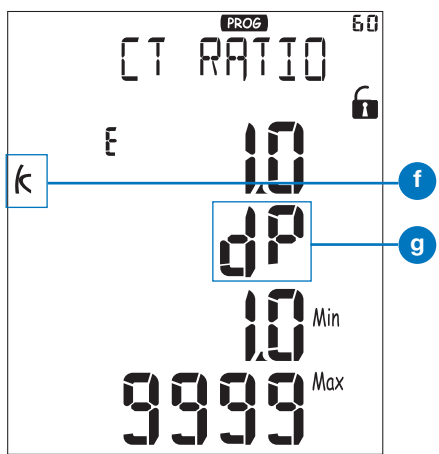
LE ICONE DEL DISPLAY

SOGLIE D'ALLARME

Allarme in salita.	Allarme in discesa.

Note: il display è fornito di retroilluminazione con tempo di illuminazione programmabile.

01

02

03

COME IMPOSTARE UN VALORE

Con WM30 impostare i valori è ancora più semplice, è possibile incrementare o decrementare singolarmente ogni cifra, così da ottenere velocemente il valore desiderato o passare direttamente da un moltiplicatore ad un'altro. Utilizziamo, per esempio, il menù relativo al rapporto di trasformazione amperometrica.

- 01** Durante la fase di programmazione lo strumento ci fornisce delle informazioni utili:
- a** Identifica che siamo nel modo programmazione;
 - b** Numero identificativo del menù (vedere il diagramma di flusso della programmazione)
 - c** Edit, identifica la riga soggetta all'impostazione;
 - d** Corsore che identifica la cifra soggetta all'impostazione;
 - e** Limite massimo e minimo, impostabile, della variabile.
- 02** Utilizzare i tasti **6** per incrementare e decrementare la cifra indicata dal cursore (**d**). Per impostare un'altra cifra spostare il cursore sotto la cifra desiderata utilizzando il tasto **4**, ad ogni pressione corrisponde lo spostamento del cursore verso sinistra.
- 03** Raggiunta dal cursore l'ultima cifra a sinistra, un'ulteriore pressione del tasto **4** permetterà la modifica del punto decimale e del moltiplicatore (**f**) (k o M), la scritta "dP" (decimal point) lampeggiante (**g**) identifica che lo strumento è in tale condizione. Per modificare la posizione della virgola e il moltiplicatore utilizzare i tasti **6** fino all'ottenimento del valore desiderato.
- Per confermare il valore impostato premere il tasto **7**.
 Per annullare l'operazione in corso e tornare alla condizione iniziale premere il tasto **5**.
 Per annullare l'operazione in corso e tornare alla pagina "Home" di misura, premere e tener premuto, per almeno due secondi il tasto **5**.

Selezione	Applicazione	Note
A	Imputazione dei costi	Conteggio dell'energia importata
B	Controllo dei costi	Conteggio dell'energia importata e parziale
C	Imputazione dei costi, complessa	Energia importata/esportata (totale o parziale)
D	Solare	Conteggio dell'energia importata ed esportata con alcune funzioni base di analisi della potenza
E	Analisi complessa della potenza e dei costi	Conteggio dell'energia importata ed esportata (totale e parziale) con funzione di analisi della potenza
F	Analisi della potenza e dei costi	Energia importata e analisi della qualità della potenza
G	Analisi avanzata della potenza ed energia per la generazione di potenza	Completo conteggio dell'energia e analisi della potenza

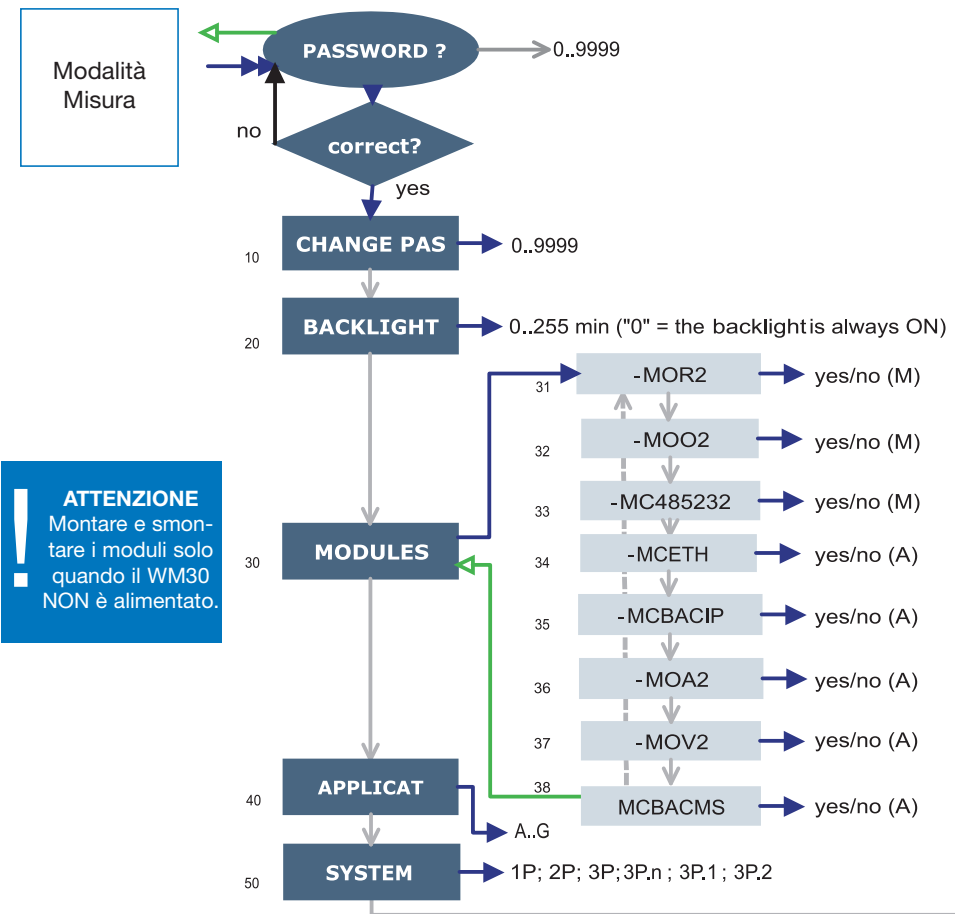
NOTE

WM30-96 è dotato della funzione "Easy-prog" grazie la quale è possibile, in modo semplice e veloce, rendere più chiara ed immediata la lettura dei valori dallo strumento rendendo disponibili solo determinate variabili a seconda dell'applicazione alla quale lo strumento sarà adibito. Le applicazioni disponibili sono sopra descritte. Per sfruttare tutte le potenzialità dello strumento selezionare l'applicazione G che permetterà una completa e dettagliata analisi dell'energia elettrica.

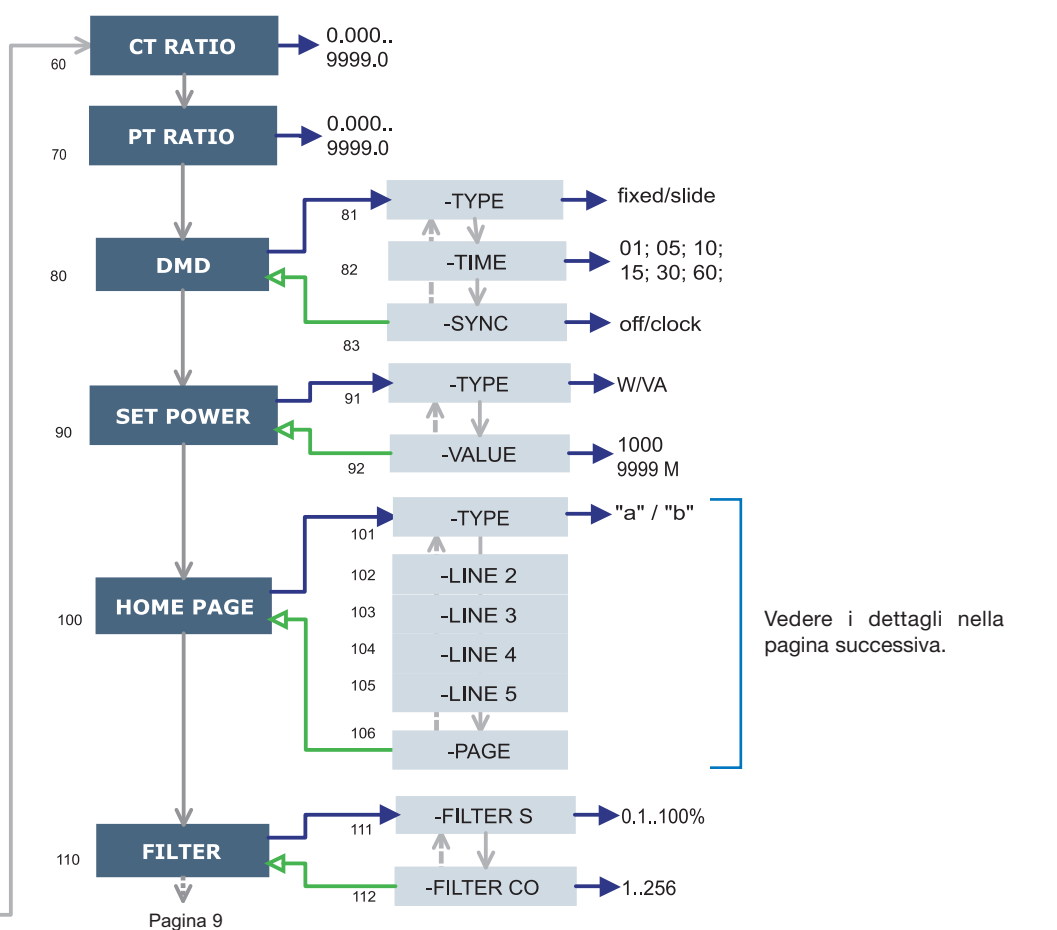
	No	Linea 1	Linea 2	Linea 3	Linea 4	Linea 5	Note	Applicazione								
								A	B	C	D	E	F	G		
	0	Home Page	Programmabile						x	x	x	x	x	x	x	x
	1	Totale kWh (+)	Dipendente dall'ultima pagina di variabili istantanee visualizzate.						x	x	x	x	x	x	x	
	2	Totale kvarh (+)							x	x	x	x				
	3	Totale kWh (-)							x	x	x		x			
	4	Totale kvarh (-)							x	x	x		x			
	5	kWh (+) parz.							x	x		x	x	x		
	6	kvarh (+) parz.							x	x		x	x	x		
	7	kWh (-) parz.							x		x		x			
	8	kvarh (-) parz.							x		x		x			
	9	Ore di funz. (99999999.99)							x	x	x	x	x			
	10	Seq. fasi	VLN Σ	VL1	VL2	VL3					x	x	x	x		
	11	Seq. fasi	VLN Σ	VL1-2	VL2-3	VL3-1					x	x	x	x		
	12	Seq. fasi	An	AL1	AL2	AL3					x	x	x	x		
	13	Seq. fasi	Hz	"ASY"	VLL sis (% asy)	VLL sis (% asy)					x	x	x	x		
	14	Seq. fasi	VA Σ	VA L1	VA L2	VA L3						x	x	x		
	15	Seq. fasi	var Σ	var L1	var L2	var L3						x	x	x		
	16	Seq. fasi	W Σ	WL1	WL2	WL3					x	x	x	x		
	17	Seq. fasi	cos ϕ Σ	cos ϕ L1	cos ϕ L2	cos ϕ L3					x	x	x			
	18	Seq. fasi		THD V1	THD V2	THD V3						x	x			
	19	Seq. fasi		THD V12	THD V23	THD V31						x	x			
	20	Seq. fasi		THD A1	THD A2	THD A3						x	x			

No	Linea 1	Linea 2	Linea 3	Linea 4	Linea 5	Note	Applicazioni						
							A	B	C	D	E	F	G
1	Lot n. xxxx	Yr. xx	rEL	A.01	1...60 (min) "dmd"		x	x	x	x	x	x	x
2	Conn. xxx.x (3ph.n/3ph/3ph./3ph.2/1ph/2ph)	CT.rA	1.0 ... 99.99k	Pt.rA (testo)	1,0...9999		x	x	x	x	x	x	x
3	LED PULSE kWh	xxxx kWh per impulso					x	x	x	x	x	x	x
4	PULSE OUT 1 kWh/kvarh	da 0,001 a 1000 kWh/kvarh per impulso	+/- tot/PAr				x	x	x	x	x	x	x
5	PULSE OUT 2 kWh/kvarh	da 0,001 a 1000 kWh/kvarh per impulso	+/- tot/PAr				x	x	x	x	x	x	x
6	Uscita remota	Out1	on/oFF	Uscita 2	on/oFF		x	x	x	x	x	x	x
7	AL1	variabile	Soglia 1	Soglia 2	(misura)				x	x	x	x	
8	AL2	variabile	Soglia 1	Soglia 2	(misura)				x	x	x	x	
9	AL3	variabile	Soglia 1	Soglia 2	(misura)				x	x	x	x	
10	AL4	variabile	Soglia 1	Soglia 2	(misura)				x	x	x	x	
11	ANALOGUE 1	Hi.E	0.0 ... 9999k	Hi.A	0.0 ... 100.0%				x	x	x	x	
12	ANALOGUE 2	Hi.E	0.0 ... 9999k	Hi.A	0.0 ... 100.0%				x	x	x	x	
13	Porta COM	Add XXX	1...247	bdr	9.6/19.2/ 38.4/115.2		x	x	x	x	x	x	x
14	IP ADDRESS	XXX	XXX	XXX	XXX		x	x	x	x	x	x	x
15	XX•XX•XXIXX:XX	dAtE	tiME				x	x	x	x	x	x	x





ATTENZIONE
Montare e smontare i moduli solo quando il WM30 NON è alimentato.



Tastiera

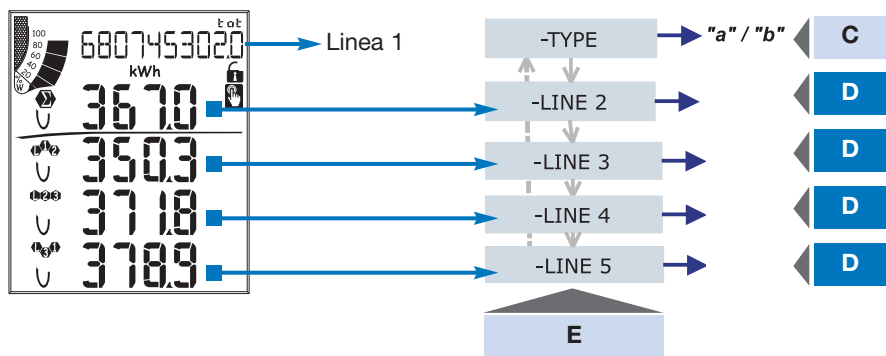
Premere per almeno 2 s

NOTE

10 CHANGE PAS: permette di modificare il valore di PASS con un nuovo valore desiderato (da 0 a 9999).
20 BACKLIGHT: tempo di spegnimento della retroilluminazione da 0 (sempre acceso) a 255 minuti.
30 MODULES: Il WM30 96 supporta il riconoscimento automatico (A) e manuale (M) dei moduli installati, a seconda del tipo di modulo.
40 APPLICAT.: è possibile in modo semplice e veloce rendere più chiara ed immediata la lettura dei valori dallo strumento rendendo disponibili solo determinate variabili (pag 4/5) a seconda dell'applicazione alla quale lo strumento sarà adibito.
50 SYSTEM: permette di selezionare il tipo di sistema elettrico.
60 CT RATIO: permette di selezionare il valore del rapporto del TA (rapporto primario/secondario del trasformatore di corrente usato). Esempio: se il primario del TA (trasformatore amperometrico) ha una corrente di 300A e il secondario di 5A, il rapporto TA corrisponde a 60 (ottenuto eseguendo il seguente calcolo: 300/5).
70 PT RATIO: permette di selezionare il valore del rapporto del TV (rappor-

to primario/secondario del trasformatore di tensione usato). Esempio: se il primario del TV (trasformatore voltmetrico) connesso è di 20kV e il secondario è di 100V, il rapporto TV corrisponde a 200 (ottenuto eseguendo il seguente calcolo: 20000/100).
80 DMD: permette di selezionare il metodo di calcolo del valore medio della variabile selezionata. 081 TYPE: seleziona il tipo di modalità da adottare per il calcolo della media FIXED: se per esempio si è selezionato un intervallo di tempo di 15 minuti lo strumento calcola la media della variabile misurata e ne aggiorna il valore ogni 15 minuti, dopo di che resetta e inizia un nuovo calcolo. SLIDE: se per esempio si è selezionato un intervallo di tempo di 15 minuti, lo strumento calcola la media e ne aggiorna il valore inizialmente dopo i primi 15 minuti, successivamente ogni minuto generando una finestra della larghezza di 15 minuti che si sposta avanti di 1 minuto per volta. 082 TIME: seleziona l'intervallo di tempo per il calcolo della media. 083 SYNC: selezionare la modalità di sincronizzazione, ovvero va selezionato il metodo che controlla la modalità di calcolo della media in base al tempo selezionato.

90 SET POWER: permette l'impostazione di un valore di potenza (potenza installata) che in fase di misura rappresenterà il 100% dell'indicatore grafico.
100 HOME PAGE: permette di selezionare le variabili da visualizzare nella pagina iniziale (home page). 101 TYPE: A, saranno visualizzate solo variabili fase-neutro. B, saranno visualizzate solo variabili di sistema (vedere il capitolo dedicato alla pagina successiva). 106 PAGE: seleziona una serie di variabili predefinite (vedere il capitolo dedicato alla pagina successiva).
110 FILTER: grazie al filtro digitale è possibile stabilizzare le misure che risultino essere troppo incostanti nella visualizzazione del relativo valore. 111 FILTER S: permette di impostare il campo d'intervento (intervallo) del filtro digitale. Il valore è espresso in % (filtro con valore 0.0% significa filtro escluso). 112 FILTER CO: permette di impostare il coefficiente di filtraggio delle misure istantanee. Aumentando il valore si aumenta sia la stabilità che il tempo di assestamento delle misure stesse.
Alcuni menù specifici compaiono solo nel caso che i relativi moduli di appartenenza siano installati.



Come personalizzare la home page del WM30-96

Menu "101 TYPE":

"a", è possibile selezionare una variabile "sistema" per ogni linea.

"b", è possibile selezionare una combinazione di variabili predeterminate divisa in: linea 2 (variabili di sistema) e linee 3, 4 e 5 (variabili di singola fase).

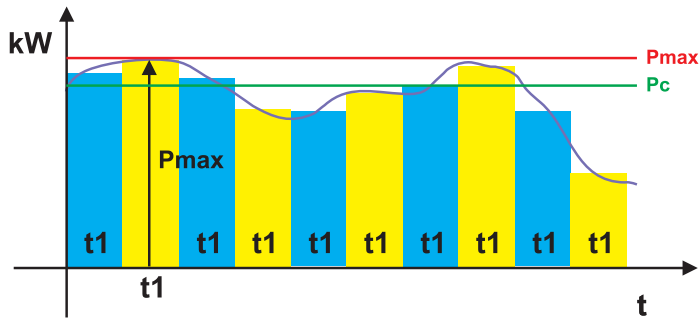
Inoltre, le variabili selezionabili dipendono dal sistema elettrico scelto. Se si è scelto 1P (monofase), le variabili disponibili sono diverse.

Nota: quando si è selezionato il tipo B tutte le selezioni di tipo A sulle linee 3, 4 e 5 diventano irrilevanti.

E	C	D											
	Selezione Tipo	0	1	2	3	4	5	6	7	8	9	10	11
Linea 2	Tipo "a"	An	W Σ	var Σ	VA Σ	PF Σ	Hz	An	An	An	An	An	An
	Tipo "a" con Sistema 1P	V	A	W	var	VA	PF	Hz	V	V	V	V	V
	Tipo "b"	Seleziona una delle combinazioni di variabili predeterminate											
	Tipo "b" con Sistema 1P	Seleziona una delle combinazioni di variabili predeterminate											
Linea 3	Tipo "a"	An	W Σ	var Σ	VA Σ	PF Σ	Hz	An	An	An	An	An	An
	Tipo "a" con Sistema 1P	V	A	W	var	VA	PF	-	-	-	-	-	-
Linea 4	Tipo "a"	VL-L Σ	An	W Σ	var Σ	VA Σ	PF Σ	Hz	-	-	-	-	-
	Tipo "a" con Sistema 1P	V	A	W	var	VA	PF	Hz	-	-	-	-	-
Linea 5	Tipo "a"	VL-L Σ	An	W Σ	var Σ	VA Σ	PF Σ	Hz	-	-	-	-	-
	Tipo a con Sistema 1P	V	A	W	var	VA	PF	Hz	-	-	-	-	-

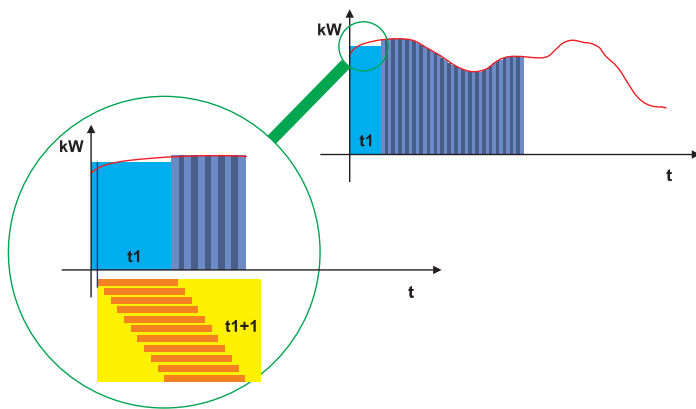
E	D											
	0	1	2	3	4	5	6	7	8	9	10	11
Linea 2	-	V LN Σ	V LN Σ	An	Hz	VA Σ	var Σ	W Σ	PF Σ	-	-	-
Linea 3	-	V L1	V L1-2	A L1	"ASY"	VA L1	var L1	W L1	PF L1	THD V1	THD V12	THD A1
Linea 4	-	V L2	V L2-3	A L2	VLL sys (% asy)	VA L2	var L2	W L2	PF L2	THD V2	THD V23	THD A2
Linea 5	-	V L3	V L3-1	A L3	VLL sys (% asy)	VA L3	var L3	W L3	PF L3	THD V3	THD V31	THD A3

E	D											
	0	1	2	3	4	5	6	7	8	9	10	11
Linea 2			V					VA			THD_V	
Linea 3			A					VAR			THD_A	
Linea 4			Hz					W			-	
Linea 5			-					PF			-	

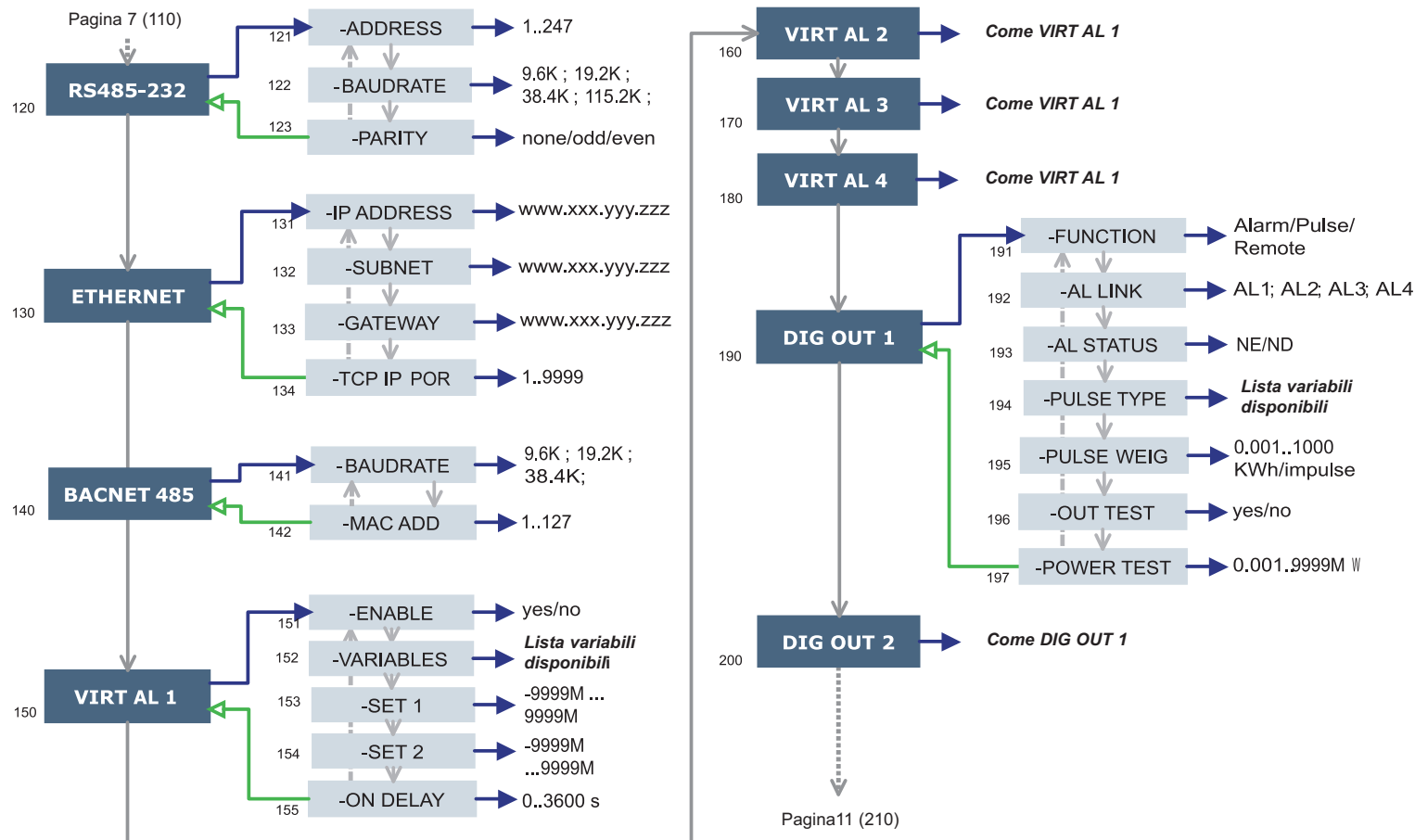


Dove:
P_{max} è la potenza massima,
P_c è la potenza contrattuale,
t₁ è il periodo di tempo selezionato per il calcolo del valore medio

SELEZIONE FISSA: se per esempio si è selezionato un intervallo di tempo di 15 minuti lo strumento calcola la media della variabile misurata e ne aggiorna il valore ogni 15 minuti.



SELEZIONE SCORREVOLE: se per esempio si è selezionato un intervallo di tempo di 15 minuti, lo strumento calcola la media e ne aggiorna il valore inizialmente dopo i primi 15 minuti, successivamente ogni minuto generando una finestra della larghezza di 15 minuti che si muove in avanti di 1 minuto alla volta.



Tastiera



Premere per almeno 2 s

NOTE

120 RS232-485: Questa funzione permette l'impostazione delle porte seriali di comunicazione RS232, RS485 (modulo MC232485).

130 ETHERNET: Questa funzione permette l'impostazione della porta di comunicazione ETHERNET. In caso di porta BACnet IP il numero istanza BACnet può essere programmato solo mediante il software di programmazione WM3040Soft.

140 BACNET 485: Questa funzione consente di impostare i parametri della porta BACnet MS/TP. Il numero istanza BACnet può essere programmato solo mediante il software di programmazione WM3040Soft.

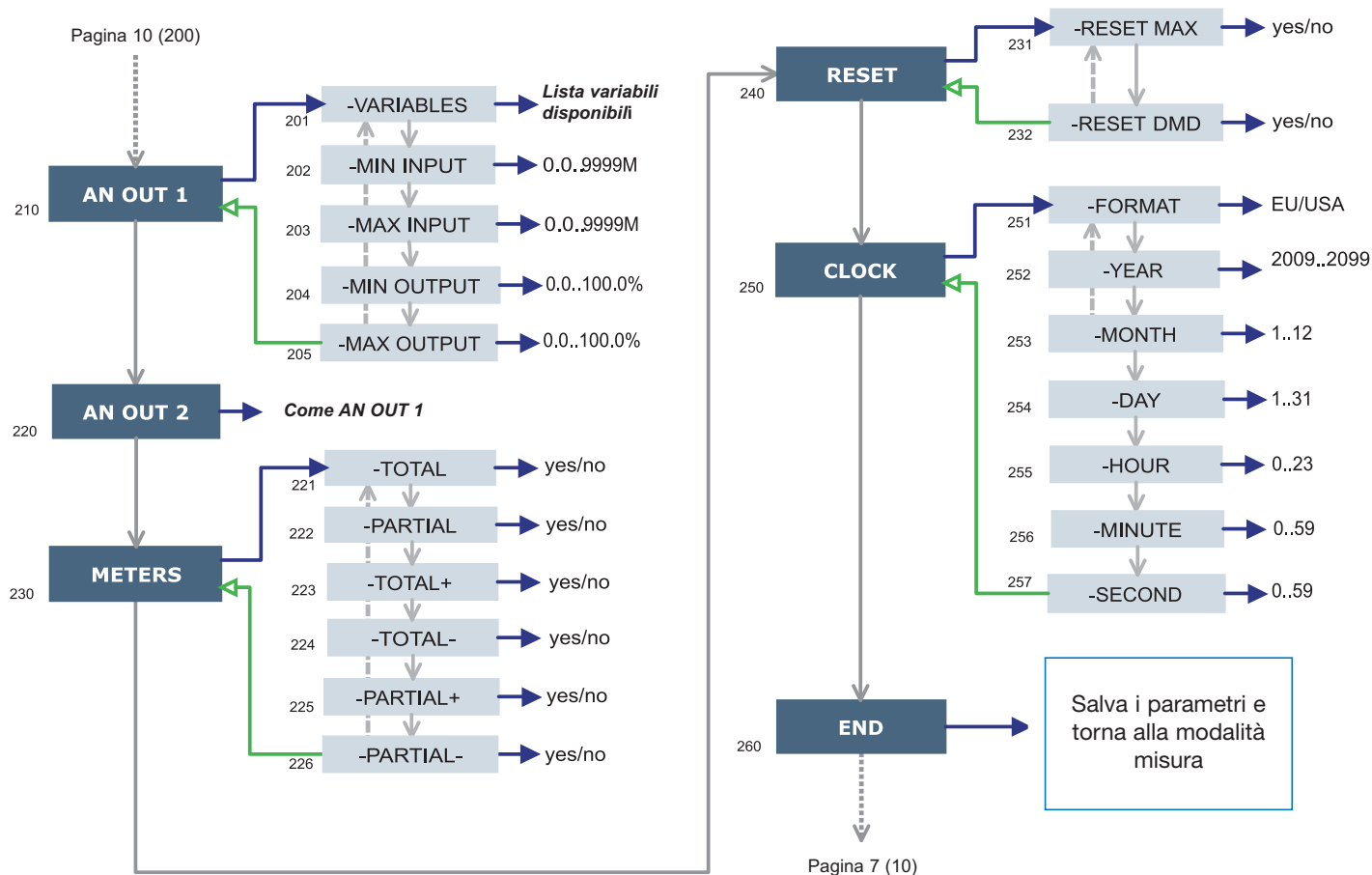
150 VIRT AL 1: Questa funzione consente di impostare i parametri di allarme. 151 ENABLE: abilita (YES) o disabilita (NO) l'allarme. 152 VARIABLES: imposta la variabile da associare all'allarme. 153 SET 1: imposta la soglia di attivazione dell'allarme della variabile. 154 SET 2: imposta la soglia di disattivazione dell'allarme della variabile. 155 ON DELAY: imposta un ritardo di

attivazione dell'allarme.

190 DIG OUT 1: Questa funzione consente di associare all'uscita digitale selezionata, e i suoi parametri di funzionamento, all'allarme virtuale. 191 FUNCTION: *Alarm*, l'uscita digitale si attiva in caso si verifichi lo stato di allarme previsto. *Pulse*, l'energia misurata viene ritrasmessa dall'uscita digitale mediante impulsi. *Remote*, l'uscita digitale può essere attivata mediante un comando inviato tramite comunicazione seriale. 192 AL LINK: seleziona l'allarme virtuale che si vuole associare all'uscita digitale. 193 AL STATUS: ND (normalmente diseccitato) per avere il relè normalmente non eccitato o NE (normalmente eccitato) per avere il relè normalmente eccitato. 195 PULSE WEIG: seleziona il peso dell'impulso (kWh per impulso). 196 OUT TEST: abilita il TEST (YES), disabilita il TEST (NO). 197 POWER TEST: imposta il valore di potenza (kW) simulata a cui corrisponderà una frequenza degli impulsi ad essa proporzionale in base a "PULSE WEIG".

La funzione è attiva fino a che si resta nel menù ed è usata quando all'uscita è connesso un PLC.

Alcuni menù specifici compaiono solo nel caso che i relativi moduli di appartenenza siano installati.



Tastiera



NOTE

210 AN OUT 1: Questo sotto menù permette la programmazione delle uscite analogiche (0-20mA, 0-10V). 211 VARIABLES: selezionare la variabile da ritrasmettere mediante uscita analogica. 212 MIN INPUT: valore minimo del campo di ingresso della variabile al quale verrà associato il valore "MIN OUTPUT" ritrasmesso dall'uscita analogica. 213 MAX INPUT: valore massimo del campo di ingresso della variabile al quale verrà associato il valore "MAX OUTPUT" ritrasmesso dall'uscita analogica. 214 MIN OUTPUT: impostare il valore espresso in % del campo di uscita (0-20mA, 0-10V) da associare al minimo valore misurato. 215 MAX OUTPUT: selezionare il valore espresso in % del campo di uscita (0-20mA, 0-10V) da associare al massimo valore misurato.

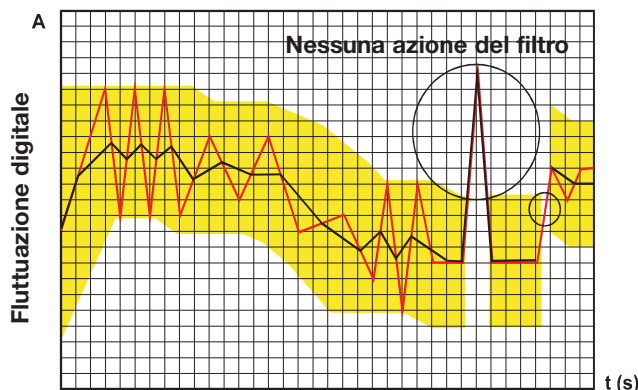
240 METERS: azzera i contatori di energia scegliendo tra: TOTALI, PARZIALI: azzera tutti i contatori di energia parziali e totali. TOTALI +: azzera i

contatori totali dell'energia importata. TOTALI -: azzera i contatori totali dell'energia esportata. PARZIALI +: azzera i contatori parziali dell'energia importata. PARZIALI -: azzera i contatori parziali dell'energia esportata.

250 RESET: esegue il reset di tutti i valori MAX o dmd memorizzati.

260 CLOCK, 24.1 FORMAT: EU, imposta il formato dell'ora come 24h europeo (00:00) o USA, 12h americano (12:00 AM). 252 TIME: imposta l'ora corrente. 263 DATE: imposta la data corrente.

Alcuni menù specifici compaiono solo nel caso che i relativi moduli di appartenza siano installati.


ESEMPI DI PROGRAMMAZIONE DEL FILTRO DIGITALE
Esempio 1

E' necessario stabilizzare il valore della variabile VL-N visualizzato sul display, che oscilla tra 222V e 228V.

I parametri del filtro digitale devono essere programmati come segue:

FILTER S: la variabile ha delle fluttuazioni all'interno del valore medio di ampiezza pari a $\pm 0,75\%$ del valore nominale di Fondo Scala di tale variabile (ricavata mediante il calcolo: $(228-222)/2 = \pm 3V$, proseguendo $\pm 3 \cdot 100/400V = \pm 0,75\%$ dove 400V è il valore nominale fase-neutro di un ingresso AV5). Il parametro "campo", che rappresenta il campo di azione del filtro digitale, va programmato ad un valore di poco superiore all'ampiezza percentuale della fluttuazione: p.es. 1,0%.

FILTER CO: se il nuovo valore acquisito dallo strumento si trova nel campo di azione del filtro, il nuovo valore visualizzato viene calcolato sommando algebricamente al valore precedente la variazione divisa per il coefficiente di filtraggio. Di conseguenza un valore maggiore di tale coefficiente comporta un tempo di assestamento maggiore e quindi una migliore stabilità. Generalmente si ottiene il risultato ottimale impostando il coefficiente di filtraggio ad un valore pari almeno a 10 volte il valore del parametro campo. Nell'esempio: $1,0 \cdot 10 = 10$. Per migliorare la stabilità si può aumentare il coefficiente di filtraggio, i valori ammessi sono compresi tra 1 e 255.

IN COSA CONSISTE L'AZIONE DEI PARAMETRI DEL FILTRO DIGITALE SULLE MISURE?

Il primo parametro del filtro è **FILTER S** e ne definisce il campo operativo. Questo campo operativo è rappresentato dalla banda gialla sul grafico raffigurato a sinistra (ogni quadrato rappresenta un digit). Finchè il valore misurato (curva rossa nel grafico) si trova all'interno di questa banda, il filtro è attivo; non appena il valore è esterno alla banda, il filtro si disattiva e una nuova banda sarà attivata attorno al nuovo valore.

Il campo di fluttuazione (espresso in digit) è un buon valore di inizio per questi parametri.

Si suggerisce, per impostare questo parametro, di porre attenzione alla dimensione (in digit) della fluttuazione ed utilizzare quest'ultimo valore.

Il secondo parametro è **FILTER CO** e rappresenta il coefficiente di filtraggio. Maggiore sarà il valore **FILTER CO**, più piana sarà la curva (nera nel grafico) del valore visualizzato. Non esiste una regola teorica che definisce questo parametro, dev'essere impostato sul campo: comunque come principio si suggerisce di impostare il medesimo valore selezionato per il coefficiente **FILTER S** e quindi aumentarlo fino al raggiungimento della stabilità desiderata.

Il risultato del filtro digitale si ha anche sui valori ritrasmessi sia via comunicazione seriale che via uscita analogica.

Esempio 2

E' necessario stabilizzare il valore della Potenza Attiva di sistema (W•) visualizzato sul display, che oscilla tra 300kW e 320kW (il carico è collegato allo strumento tramite un TA 300/5A e misura diretta della tensione).

I parametri del filtro digitale devono essere programmati come segue:

FILTER S: la variabile ha delle fluttuazioni all'interno del valore medio di ampiezza pari a $\pm 2,78\%$ del valore nominale di Fondo Scala di tale variabile. Tale valore viene ricavato mediante il calcolo: $(320-300)/2 = \pm 10kW$, proseguendo $\pm 10 \cdot 100/360kW = \pm 2,78\%$, dove 360kW è il valore nominale della Potenza Attiva di sistema di un ingresso AV5 alle condizioni sopra citate (rapporto TA e rapporto TV) e ottenuto tramite la seguente formula: "VLN * VT * IN * CT * 3" dove VLN = Tensione di ingresso nominale (400V per l'ingresso tipo AV5), VT = rapporto primario/secondario del trasf. voltmetrico usato, IN = Corrente nominale (5A per l'ingresso tipo AV5), CT = rapporto primario/secondario del trasf. amperometrico usato (in questo esempio "400*1*5*60*3=360kW).

Il parametro "CAMPO", che rappresenta il campo di azione del filtro digitale, va programmato ad un valore di poco superiore all'ampiezza percentuale della fluttuazione: p.es. 3,0%.

FILTER CO: se il nuovo valore acquisito dallo strumento si trova nel campo di azione del filtro, il nuovo valore visualizzato viene calcolato sommando algebricamente al valore precedente la variazione divisa per il coefficiente di filtraggio. Di conseguenza un valore maggiore di tale coefficiente comporta un tempo di assestamento maggiore e quindi una migliore stabilità. Generalmente si ottiene il risultato ottimale impostando il coefficiente di filtraggio ad un valore pari almeno a 10 volte il valore del parametro campo. Nell'esempio: $3,0 \cdot 10 = 30$. Per migliorare la stabilità si può aumentare il coefficiente di filtraggio, i valori ammessi sono compresi tra 1 e 255.

Esempio 3.

E' necessario stabilizzare il valore della variabile AL1 (corrente di fase 1) visualizzato sul display, che oscilla tra i valori 470V e 486V.

Per poter gestire in modo migliore la funzione di allarme con conseguente attivazione e disattivazione del relè è richiesto che tale valore non sia soggetto a continue oscillazioni. In questo esempio è stato considerato di utilizzare un trasformatore di corrente 500/5A. I parametri del filtro digitale devono essere programmati come segue:

FILTER S: la variabile ha delle fluttuazioni all'interno del valore medio di ampiezza pari a $\pm 1,60\%$ del valore nominale di Fondo Scala di tale variabile (ricavata mediante il calcolo: $(486-470)/2 = \pm 8A$, proseguendo $\pm 8 \cdot 100/500A = \pm 1,60\%$ dove 500A è il valore riferito al primario del trasformatore utilizzato). Il parametro "campo", che rappresenta il campo di azione del filtro digitale, va programmato ad un valore di poco superiore all'ampiezza percentuale della fluttuazione: p.es. 2,0%.

FILTER CO: se il nuovo valore acquisito dallo strumento si trova nel campo di azione del filtro, il nuovo valore visualizzato viene calcolato sommando algebricamente al valore precedente la variazione divisa per il coefficiente di filtraggio. Di conseguenza un valore maggiore di tale coefficiente comporta un tempo di assestamento maggiore e quindi una migliore stabilità. Generalmente si ottiene il risultato ottimale impostando il coefficiente di filtraggio ad un valore pari almeno a 10 volte il valore del parametro campo. Nell'esempio: $2,0 \cdot 10 = 20$. Per migliorare la stabilità si può aumentare il coefficiente di filtraggio, i valori ammessi sono compresi tra 1 e 255.

ESEMPI DI PROGRAMMAZIONE DELLE USCITE ANALOGICHE

Viene richiesta la ritrasmissione della potenza mediante uscita analogica 0-20mA.

E' necessario misurare una potenza consumata fino a 100kW e ritrasmettere tale valore tramite un segnale da 4 a 20 mA: il modulo da utilizzare è MOV2 (2x da 0 a 20mA), lo strumento deve essere programmato come segue:

VARIABLE: W• (potenza attiva di sistema).

MIN OUT: 20,0% per 4mA, il calcolo da eseguire è: $(100 \cdot \text{uscita minima}) / \text{uscita fondoscala} = 100 \cdot 4\text{mA} / 20\text{mA} = 20\%$.

MAX OUT: 100,0% per 20mA, il calcolo da eseguire è: $(100 \cdot \text{uscita massima}) / \text{uscita fondoscala} = 100 \cdot 20\text{mA} / 20\text{mA} = 100$.

MIN INPUT: 0,0k; i multipli k,M,G possono essere selezionati sullo strumento in base ai valori di TV e TA selezionati.

MAX INPUT: 100,0k; i multipli k,M,G possono essere selezionati sullo strumento in base ai valori di TV e TA selezionati.

Viene richiesta la ritrasmissione del FATTORE di POTENZA ($\cos\phi$) mediante uscita analogica 0-20mA.

E' necessario ritrasmettere l'intero range dei valori ammessi per il PF($\cos\phi$) con segnale da 0 a 20mA. Si deve porre attenzione al fatto che la variabile PF ($\cos\phi$) può assumere i valori compresi tra C0,001 e L0,000 (per ciascuna fase) che ritrasmessi assumeranno rispettivamente i valori 0 e 20mA. Quando il PF ($\cos\phi$) assumerà valore uguale ad 1 trovandosi al centro fra C0,001 e L0,000 l'uscita assumerà il valore del suo centro scala cioè 10mA. In conseguenza a ciò lo strumento deve essere programmato come segue:

VARIABLE: PF L1 (o L2 o L3 o PF•).

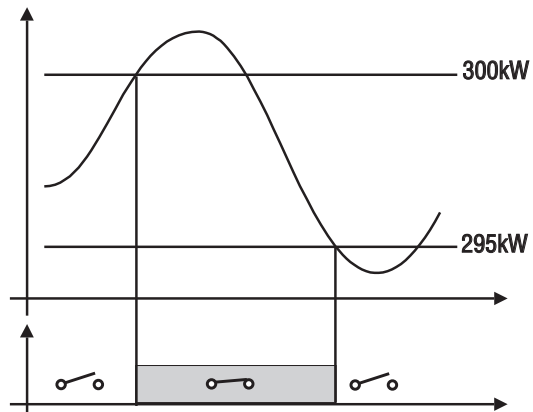
MIN OUT: 0,0%.

MAX OUT: 100,0%.

MIN INPUT: C0,001 (il simbolo C sta' ad indicare che il valore è di tipo CAPACITIVO).

MAX INPUT: L0,001 (il simbolo L sta' ad indicare che il valore è di tipo INDUTTIVO). Si è scelto di limitare come minimo valore impostabile L0,001 per evitare oscillazioni indesiderate delle ripetute.

ESEMPIO DI PROGRAMMAZIONE DI UN'USCITA ALLARME



Viene richiesto lo scollegamento di un carico al superamento di un pre-determinato valore di potenza assorbita, per esempio al superamento dei 300kW l'allarme deve intervenire e scollegare un carico predeterminato. Di seguito è riportata la programmazione consigliata:

ENABLE: YES

VARIABLES: W sistema (W•)

SET POINT 1: 300kW

SET POINT 2: 295kW

ON DELAY: se si desidera avere un ritardo all'attivazione, impostare il numero di secondi desiderato: "5 secondi"



www.gavazzi-automation.com

Control

**Instruction Manual
Base Instrument**

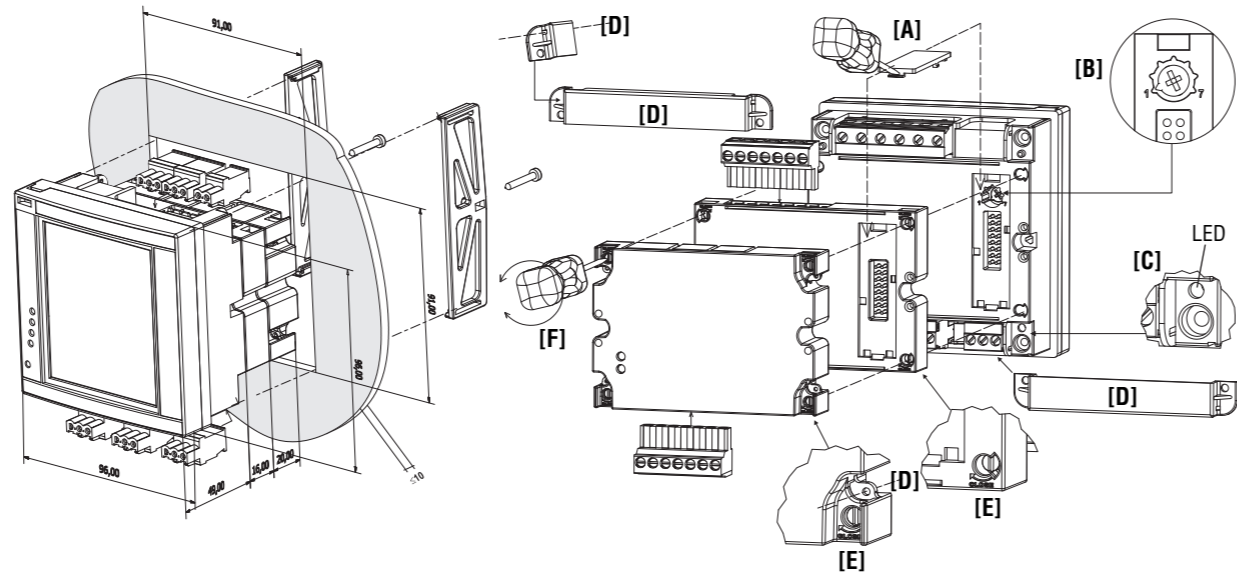
Thank you
for choosing our products.

Grazie
per aver scelto i nostri prodotti.

Wir danken
Ihnen dafür, dass Sie unsere
Produkte gewählt haben.

Gracias
por elegir nuestros productos.

Merci
d'avoir choisi nos produits.



ENGLISH

Read carefully the instruction manual. If the instrument is used in a manner not specified by the producer, the protection provided by the instrument may be impaired. **Maintenance:** make sure that the connections are correctly carried out in order to avoid any malfunctioning or damage to the instrument. To keep the instrument clean, use a slightly damp cloth; do not use any abrasives or solvents. We recommend to disconnect the instrument before cleaning it.



WARNING: to make sure that the screw tightening torque is 0.5Nm. ALL THE MOUNTING AND DISASSEMBLY OPERATIONS OF THE INSTRUMENT AND MODULES HAVE TO OCCUR WHEN POWER SUPPLY AND THE LOADS ARE NOT CONNECTED.

Preliminary operations: if necessary remove the protection cover of the contacts [A], using a properly screwdriver.
Lock the programming and LED of power supply on: to lock the acces to the programming of the instrument turning (clockwise) the rotary switch [B] to position 7. To unlock the programming come-back the rotary switch to the position 1. The green LED [C] on warns that the instrument is power supplied.

The instrument and modules sealing: to lock the modules turning (clockwise) the properly fixing elements on the corners [E], using a properly screw-driver [F]. To seal the instrument use the dedicated covers and holes [D].

- WIRING DIAGRAMS**
- [1] 3-ph, 2-wire, balanced load, 1-CT connection.
 - [2] 3-ph, 2-wire, balanced load, 1-CT and 1-VT/PT connections
 - [3] 3-ph, 4-wire, unbalanced load, 3-CT connection
 - [4] 3-ph, 3-wire, balanced load, 1-CT and 3-VT/PT connections
 - [5] 3-ph, 4-wire, unbalanced load, 3-CT and 3-VT/PT connections
 - [6] 3-ph, 3-wire, unbalanced load, 3-CT connection
 - [7] 3-ph, 3-wire unbalanced load, 3-CT and 2-VT/PT connections
 - [8] 3-ph, 3-wire, balanced load, 1-CT connections
 - [9] 3-ph, 3-wire, unbalanced load, 2-CT connections (ARON)
 - [10] 3-ph, 3-wire, balanced load, 1-CT and 2-VT/PT connections
 - [11] 2-ph, 3-wire, 2-CT connection
 - [12] 2-ph, 3-wire, 2-CT and 2-VT/PT connections
 - [13] 1-ph, 2-wire, 1-CT connection
 - [14] 1-ph, 2-wire, 1-CT and 1-VT connections
 - [15] 3-ph, 3-wire, unbalanced load, 2-CT and 2-VT/PT connections ARON
 - [16] Power supply 90 to 260VAC/DC. F=250V [T] 630mA.
Power supply 18 to 60VAC/DC. F=250V [T] 3.15A.

ITALIANO



Leggere attentamente il manuale di istruzioni. Qualora l'apparecchio venisse adoperato in un modo non specificato dal costruttore, la protezione prevista dall'apparecchio potrebbe essere compromessa. **Manutenzione:** Per mantenerne pulito lo strumento usare un panno inumidito; non usare abrasivi o solventi. Si consiglia di scollegare lo strumento prima di eseguire la pulizia.

ATTENZIONE: assicurarsi che la coppia di serraggio applicata alle viti dei morsetti sia di: 0,5Nm. TUTTE LE OPERAZIONI DI MONTAGGIO E SMONTAGGIO DELLO STRUMENTO E DEI MODULI VANNO ESEGUITE CON ALIMENTAZIONE E CARICO SCOLLEGATI.

Operazione preliminare: smontare, se necessario, la finestra di protezione

dei contatti [A], utilizzando un apposito cacciavite a taglio.
Blocco della programmazione e LED di presenza alimentazione: per bloccare la programmazione dello strumento agire (ruotandolo in senso orario) sul commutatore rotante [B] portandolo nella posizione 7, per sbloccare la programmazione portarlo nella posizione 1. Il LED verde acceso [C] avvisa che lo strumento è alimentato.
Sigillatura dei moduli e dello strumento: per bloccare i moduli agire (ruotandoli in senso orario) sugli appositi elementi di fissaggio posti agli angoli dei moduli stessi [E], utilizzando un adeguato cacciavite a taglio [F]. Il sigillo va apposto utilizzando i fori e i copri morsetti dedicati [D].

- COLLEGAMENTI ELETTRICI**
- [1] 3 fasi, 2 fili, carico equilibrato, connessione con 1 TA
 - [2] 3 fasi, 2 fili, carico equilibrato, connessione con 1TA e 1 VT
 - [3] 3 fasi, 4 fili, carico squilibrato, connessione con 3 TA
 - [4] 3 fasi, 3 fili, carico equilibrato, connessione con 1 TA e 3 VT
 - [5] 3 fasi, 4 fili, carico squilibrato, connessione con 3 TA e 3 VT
 - [6] 3 fasi, 3 fili, carico squilibrato, connessione con 3 TA
 - [7] 3 fasi, 3 fili, carico squilibrato, connessione con 3 TA e 2 VT
 - [8] 3 fasi, 3 fili, carico equilibrato, connessione con 1 TA
 - [9] 3 fasi, 3 fili, carico squilibrato, connessione con 2 TV (ARON)
 - [10] 3 fasi, 3 fili, carico equilibrato, connessione con 1 TA e 2 VT
 - [11] 2 fasi, 3 fili, connessioni con 2 TA
 - [12] 2 fasi, 3 fili, connessioni con 2 TA e 2 VT
 - [13] 1 fase, 2 fili, connessione con 1TA
 - [14] 1 fase, 2 fili, connessione con 1 TA e 1 VT
 - [15] 3 fasi, 3 fili, carico squilibrato, connessione con 2 TA e 2 TV (ARON)
 - [16] Alimentazione da 90 a 260VCA/CC. F=250V [T] 630mA.
Alimentazione da 18 a 60VCA/CC. F=250V [T] 3.15A.

DEUTSCH



Die Betriebsanleitung aufmerksam lesen. Sollte das Gerät nicht gemäss der Herstellerangaben verwendet werden, könnte der vom Gerät vorgesehene Schutz beeinträchtigt werden.

Wartung: Das Gerät mit einem feuchten Tuch reinigen; keine Scheuer- oder Lösemittel verwenden. Das Gerät vor der Reinigung ausschalten

ACHTUNG: Darauf achten, dass das Anzugsmoment der Klemmschrauben 0,5Nm beträgt. SOWOHL BEI DER MONTAGE, ALS AUCH BEIM AUSBAU DES GERÄTES UND DER MODULE MÜSSEN STROMVERSORGUNG UND STROMLAST STETS VORHER ABGETRENNT WERDEN.

Vorbereitung: Gegebenenfalls das Schutzfenster der Kontakte [A] mit einem Schlitzschraubenzieher entfernen.

Programmierungssperre und LED Stromversorgung vorhanden: Um die Programmierung des Gerätes zu sperren, den Drehschalter [B] im Uhrzeigersinn auf Position 7 drehen, für die erneute Freigabe auf Position 1. Das Leuchten der grünen LED [C] zeigt an, dass das Gerät mit Strom versorgt wird.

Versiegelung der Module und des Geräts: Die Befestigung der Module erfolgt (durch Drehen derselben im Uhrzeigersinn) über die an den Ecken vorgesehenen Befestigungselemente [E], mit Hilfe eines passenden Schlitzschraubenziehers [F]. Das Siegel wird über die hierfür vorgesehenen Löcher und Klemmendeckel [D] angebracht.

- ELEKTRISCHE ANSCHLÜSSE**
- [1] 3 Phasen, 2 Adern, symmetrische Last, Anschluss mit 1 TA

- [2] 3 Phasen, 2 Adern, symmetrische Last, Anschluss mit 1 TA und 1 VT
- [3] 3 Phasen, 4 Adern, unsymmetrische Last, Anschluss mit 3 TA
- [4] 3 Phasen, 3 Adern, symmetrische Last, Anschluss mit 1 TA und 3 VT
- [5] 3 Phasen, 4 Adern, unsymmetrische Last, Anschluss mit 3 TA und 3 VT
- [6] 3 Phasen, 3 Adern, unsymmetrische Last, Anschluss mit 3 TA
- [7] 3 Phasen, 3 Adern, unsymmetrische Last, Anschluss mit 3 TA und 2 VT
- [8] 3 Phasen, 3 Adern, symmetrische Last, Anschluss mit 1 TA
- [9] 3 Phasen, 3 Adern, unsymmetrische Last, Anschluss mit 2 TV (ARON)
- [10] 3 Phasen, 3 Adern, symmetrische Last, Anschluss mit 1 TA und 2 TV
- [11] 2 Phasen, 3 Adern, Anschlüsse mit 2 TA
- [12] 2 Phasen, 3 Adern, Anschlüsse mit 2 TA und 2 VT
- [13] 1 Phase, 2 Adern, Anschluss mit 1 TA
- [14] 1 Phase, 2 Adern, Anschluss mit 1 TA und 1 VT
- [15] 3 Phasen, 3 Adern, unsymmetrische Last, Anschluss mit 2 TA und 2 TV (ARON)
- [16] Stromversorgung von 90 bis 260 VAC/DC. F=250V [T] 630mA.
Stromversorgung von 18 bis 60 VAC/DC. F=250V [T] 3.15A.

FRANÇAIS



Lire attentivement le manuel de l'utilisateur. Si l'appareil est utilisé dans des conditions différentes de celles spécifiées par le fabricant, le niveau de protection prévu par l'instrument peut être compromis.

Entretien: Pour nettoyer l'instrument, utiliser un chiffon humide; ne pas utiliser d'abrasifs ou de solvants. Il faut déconnecter le dispositif avant de procéder au nettoyage.

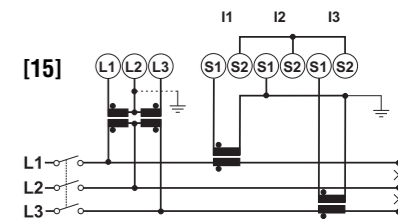
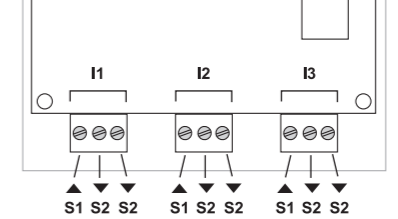
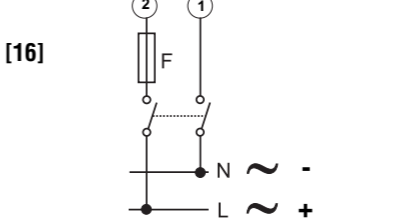
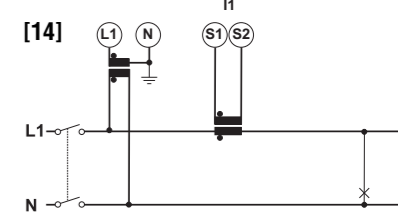
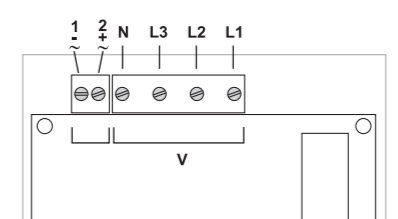
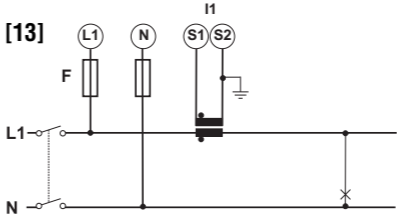
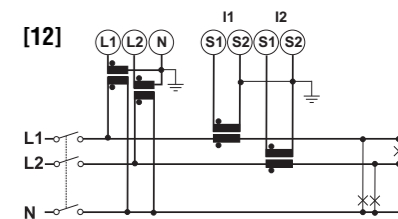
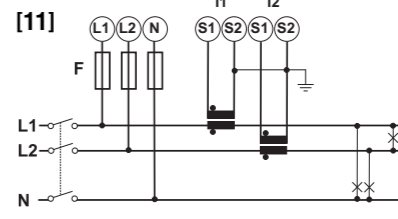
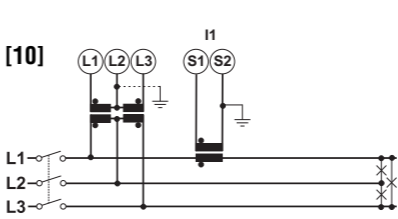
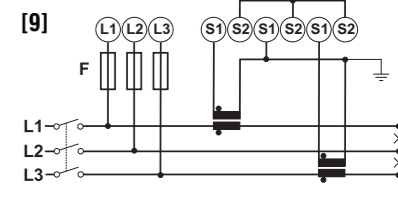
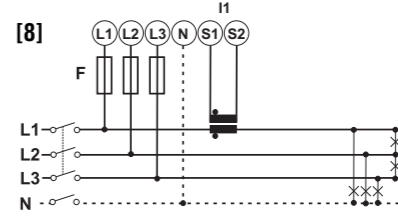
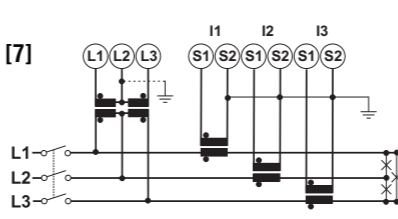
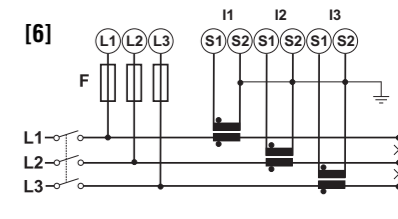
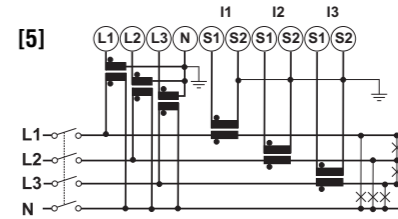
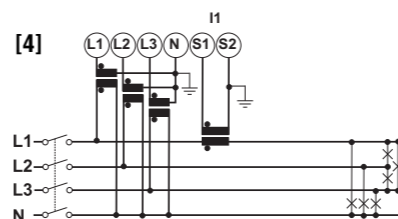
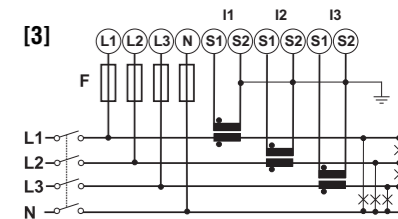
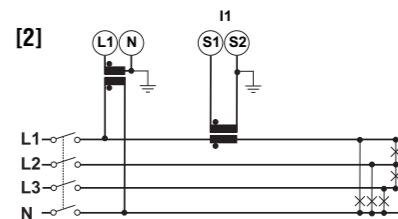
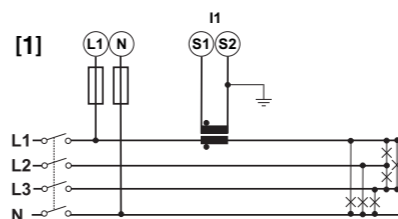
ATTENTION: s'assurer que le couple de serrage appliqué aux vis des bornes soit de : 0,5Nm. POUR TOUTES LES OPERATIONS DE MONTAGE ET DÉMONTAGE DE L'INSTRUMENT ET DES MODULES IL FAUT QUE L'ALIMENTATION ET LA CHARGE SOIENT DÉBRANCHÉES.

Opération préliminaire: démonter, si nécessaire, la fenêtre de protection des contacts [A], en utilisant un tournevis plat approprié.

Bloqueo de la programación y LED para la presencia d'alimentación: pour bloquer la programmation de l'instrument, agir (en le tournant dans le sens des aiguilles d'une montre) sur le commutateur rotatif [B] en le mettant sur la position 7, pour débloquent la programmation, le mettre sur la position 1. Le LED vert allumé [C] signale que l'instrument est alimenté.

Sceller les modules et l'instrument: pour bloquer les modules, agir (en les tournant dans le sens des aiguilles d'une montre) sur les éléments de fixation prévus à cet effet, situés aux angles des modules mêmes [E], en utilisant un tournevis plat adéquat [F]. Le sceau doit être posé en utilisant les trous et les couvre-bornes prévus pour à cet effet [D].

- BRANCHEMENTS ÉLECTRIQUES**
- [1] 3 phases, 2 fils, charge équilibrée, connexion avec 1 TA
 - [2] 3 phases, 2 fils, charge équilibrée, connexion avec 1TA et 1 VT
 - [3] 3 phases, 4 fils, charge déséquilibrée, connexion avec 3 TA
 - [4] 3 phases, 3 fils, charge équilibrée, connexion avec 1 TA et 3 VT
 - [5] 3 phases, 4 fils, charge déséquilibrée, connexion avec 3 TA et 3 VT
 - [6] 3 phases, 3 fils, charge déséquilibrée, connexion avec 3 TA
 - [7] 3 phases, 3 fils, charge déséquilibrée, connexion avec 3 TA et 2 VT
 - [8] 3 phases, 3 fils, charge équilibrée, connexion avec 1 TA
 - [9] 3 phases, 3 fils, charge déséquilibrée, connexion avec 2 TV (ARON)
 - [10] 3 phases, 3 fils, charge équilibrée, connexion avec 1 TA et 2 TV
 - [11] 2 phases, 3 fils, connexions avec 2 TA
 - [12] 2 phases, 3 fils, connexions avec 2 TA et 2 VT



- [13] 1 phase, 2 fils, connexion avec 1TA
- [14] 1 phase, 2 fils, connexion avec 1 TA et 1 VT
- [15] 3 phases, 3 fils, charge déséquilibrée, connexion avec 2 TA et 2 TV (ARON)
- [16] Alimentation de 90 à 260VCA/CC. F=250V [T] 630mA.
Alimentation de 18 à 60VCA/CC. F=250V [T] 3.15A.

ESPAÑOL



Lea atentamente el manual de instrucciones. Si el instrumento se usa de modo distinto al indicado por el fabricante, la protección de seguridad ofrecida por el instrumento podrá resultar dañada. **Mantenimiento:** para limpiar el equipo utilizar siempre un trapo ligeramente humedecido, nunca productos abrasivos o disolventes. Se recomienda desconectar siempre el instrumento antes de limpiarlo.

ATENCIÓN: asegúrese de que el par de apriete aplicado a los tornillos sea de: 0,5Nm. TODAS LAS OPERACIONES DE MONTAJE Y DESMONTAJE DEL INSTRUMENTO Y DE LOS MÓDULOS DEBE REALIZARSE CON LA ALIMENTACIÓN Y LA CARGA DESCONECTADAS.

Operación preliminar: desmonte, si lo necesita, la ventana de protección de los contactos [A], utilizando su propio destornillador de punta plana.

Bloqueo de la programación y LED de alimentación ON: para bloquear la programación del instrumento gire en el sentido de las agujas del reloj el conmutador giratorio [B] llevándolo a la posición 7, para desbloquear la programación llévelo a la posición 1. El LED verde encendido [C] indica que el instrumento está alimentado.

Sellado de los módulos y del instrumento: para bloquear los módulos gire

en el sentido de las agujas del reloj los específicos elementos de fijación de los extremos de los módulos [E], utilizando un adecuado destornillador de punta plana [F]. Para sellar el equipo use las cubiertas y orificios específicos [D].

- CONEXIONES ELÉCTRICAS**
- [1] Trifásico, 2 hilos, carga equilibrada, conexión mediante 1 CT
 - [2] Trifásico, 2 hilos, carga equilibrada, conexión mediante 1 CT y 1 VT/PT
 - [3] Trifásico, 4 hilos, carga desequilibrada, conexión mediante 3 CT
 - [4] Trifásico, 3 hilos, carga equilibrada, conexión mediante 1 CT y 3 VT/PT
 - [5] Trifásico, 4 hilos, carga desequilibrada, conexión mediante 3 CT y 3 VT/PT
 - [6] Trifásico, 3 hilos, carga desequilibrada, conexión mediante 3 CT
 - [7] Trifásico, 3 hilos, carga desequilibrada, conexión mediante 3 CT y 2 VT/PT
 - [8] Trifásico, 3 hilos, carga equilibrada, conexión mediante 1 CT
 - [9] Trifásico, 3 hilos, carga desequilibrada, conexión mediante 2 CT (ARON)
 - [10] Trifásico, 3 hilos, carga equilibrada, conexión mediante 1 CT y 2 VT/PT
 - [11] Bifásico, 3 hilos, conexiones mediante 2 CT
 - [12] Bifásico, 3 hilos, conexiones mediante 2 CT y 2 VT/PT
 - [13] Monofásico, 2 hilos, conexión mediante 1 CT
 - [14] Monofásico, 2 hilos, conexión mediante 1 CT y 1 VT/PT
 - [15] Trifásico, 3 hilos, carga desequilibrada, conexión mediante 2 CT y 2 VT/PT (ARON)
 - [16] Alimentación de 90 a 260VCA/CC. F=250V [T] 630mA.
Alimentación de 18 a 60VCA/CC. F=250V [T] 3.15A.

CT = Trafo de intensidad, VT = Trafo de tensión, PT = Trafo de potencia

ENGLISH

Rated inputs, system type: 1, 2 or 3-phase. Galvanic insulation by means of built-in CT's. Current range (by CT) AV5 and AV6: 5(6)A; AV4 and AV7: 1(2)A. Voltage (by direct connection or VT/PT) AV4, AV5: 400/690VLL; AV6, AV7: 100/208VLL. **Accuracy** (Display + RS485) (@25°C ±5°C, R.H. ≤60%, 48 to 62 Hz). In: see below, Un: see below AV4 model In: 1A, Imax: 2A; Un: 160 to 480VLN (277 to 830VLL). AV5 model In: 5A, Imax: 6A; Un: 160 to 480VLN (277 to 830VLL). AV6 model, In: 5A, Imax: 6A; Un: 40 to 144VLN (70 to 250VLL), AV7 model In: 1A, Imax: 2A; Un: 40 to 144VLN (70 to 250VLL). Current AV4, AV5, AV6, AV7 models from 0.01In to 0.05In: ±(0,5% RDG +2DGT). From 0.05In to Imax: ±(0.2% RDG +2DGT). Phase-neutral voltage: In the range Un: ±(0,2% RDG +1DGT). Phase-phase voltage: In the range Un: ±(0,5% RDG +1DGT). Frequency: ±0.1Hz (45 to 65Hz). Active and Apparent power: 0.01In to 0.05In, PF 1: ±(1%RDG+1DGT) From 0.05In to Imax PF 0.5L, PF1, PF0.8C: ±(0,5%RDG+1DGT). Power Factor ±[0.001+0.5%(1.000 - "PF RDG")]. Reactive power 0.1In to Imax, senφ 0.5L/C: ±(1%RDG+1DGT). 0.05In to 0.1In, senφ 0.5L/C: ±(1,5%RDG+1DGT), 0.05In to Imax, senφ 1: ±(1%RDG+1DGT) 0.02In to 0.05In, senφ 1: ±(1,5%RDG+1DGT). Active energy, class 0.5 according to EN62053-22, ANSI C12.20, class C according to EN50470-3. Reactive energy class 1 according to EN62053-23, ANSI C12.1. Start up current AV5, AV6: 5mA. Start up current AV4, AV7 1mA. **Energy additional errors**: according to EN62053-22, ANSI C12.20. Influence quantities, class B or C according to EN50470-3, EN62053-23, ANSI C12.1. **Total Harmonic Distortion (THD)** ±1% FS (FS: 100%). AV4: Imin: 5mARMS; Imax: 15Ap; Umin: 30VRMS; Umax: 585Vp. AV5: Imin: 5mARMS; Imax: 15Ap; Umin: 30VRMS; Umax: 585Vp. AV6: Imin: 5mARMS; Imax: 15Ap; Umin: 30VRMS; Umax: 585Vp. AV7: Imin: 5mARMS; Imax: 15Ap; Umin: 30VRMS; Umax: 585Vp. **Temperature drift** ≤200ppm/°C. **Sampling rate** 3200 samples/s @ 50Hz, 3840 samples/s @ 60Hz. Method TRMS measurements of distorted wave forms. Coupling type by means of CT's. **Crest factor**, AV5, AV6: ≤3 (15A max. peak), AV4, AV7: ≤3 (3A max. peak). **Current Overloads**, continuous (AV5 and AV6) 6A, @ 50Hz. Continuous (AV4 and AV7) 2A, @ 50Hz. For 500ms (AV5 and AV6) 120A, @ 50Hz. For 500ms (AV4 and AV7) 40A, @ 50Hz. **Voltage Overloads**, continuous 1.2 Un. For 500ms 2 Un. **Input impedance**, 400VL-L (AV4 and AV5) >1,6MΩ; 208VL-L (AV6 and AV7) >1,6MΩ. 5(10)A (AV5 and AV6) <0,2VA. 1(2)A (AV4 and AV7) <0,2VA. **Frequency** 40 to 440 Hz. **Meters**. Total 4 (9+1 digit). Partial 4 (9+1 digit). **Pulse output** connectable to total and/or partial meters. **Energy meter recording**, storage of total and partial energy meters. Energy meter storage format (EEPROM) Min. -9,999,999,999.9 kWh/kvarh, Max. 9,999,999,999.9 kWh/kvarh. **Energy Meters**, total energy meters +kWh, +kvarh, -kWh, -kvarh. Partial energy meters +kWh, +kvarh, -kWh, -kvarh. **Analysis principle** FFT. **Harmonic measurement**. Current up to the 32nd harmonic. Voltage up to the 32nd harmonic. **Type of harmonics** THD (VL1 and VL1-N). The same for the other phases: L2, L3. THD (AL1). The same for the other phases: L2, L3. **System**: the harmonic distortion can be measured in 3-wire or 4-wire systems. Tw: 0.02 sec@50Hz without filter. **Power supply** H: 90 to 260VAC/DC; L: 18 to 60VAC/DC (48 to 62Hz). Power consumption AC: 6 VA; DC: 3.5 W. **Operating temperature** -25°C to +55°C (-13°F to 131°F) (R.H. from 0 to 90% non-condensing @ 40°C) according to EN62053-21, EN50470-1 and EN62053-23. **Storage temperature** -30°C to +70°C (-22°F to 158°F) (R.H. < 90% non-condensing @ 40°C) according to EN62053-21, EN50470-1 and EN62053-23. **Installation category** Cat. III (IEC60664, EN60664). **Dielectric strength** 4000 VRMS for 1 minute. **Noise rejection** CMRR 100 dB, 48 to 62 Hz. **EMC** according to EN62052-11. Electrostatic discharges: 15kV air discharge. Immunity to irradiated: test with current: 10V/m from 80 to 2000MHz. Electromagnetic fields: test without any current: 30V/m from 80 to 2000MHz. Burst: on current and voltage measuring inputs circuit: 4kV. Immunity to conducted disturbances: 10V/m from 150KHz to 80MHz. Surge: on current and voltage measuring inputs circuit: 4kV; on "L" auxiliary power supply input: 1kV. Radio frequency suppression: according to CISPR 22. **Standard compliance**: safety: IEC60664, IEC61010-1 EN60664, EN61010-1 EN62052-11. Metrology EN62053-21, EN62053-23, EN50470-3. Pulse output: DIN43864, IEC62053-31. **Approvals**: CE, cULus "Listed". **Connections**: Screw-type. Screw-type. Cable cross-section area: max. 2.5 mm2. Min./max. Screws tightening torque: 0.4 Nm / 0.8 Nm. Suggested: 0.5 Nm. Module holder: 96x96x50mm. "A" and "B" type modules: 89.5x63x16mm. "C" type module: 89.5x63x20mm. Max. depth behind the panel. With 3 modules (A+B+C): 81.7 mm. Material, ABS, self-extinguishing: UL 94 V-0. **Protection degree**, front: IP65, NEMA4x, NEM12. Screw terminals: IP20.

ITALIANO

Ingressi di misura. Sistema: 1, 2 o 3 fasi. Isolamento galvanico mediante TA integrati. Portata corrente (TA) AV5 e AV6: 5(6)A. AV4 e AV7: 1(2)A. Tensione (connesione diretta o TV) AV4, AV5: 400/690VLL; AV6, AV7: 100/208VLL. **Precisione** (Display + RS485) (@25°C ±5°C, R.H. ≤60%, 48 to 62 Hz) In: vedere sotto, Un: vedere sotto, Modello AV4, In: 1A, Imax: 2A; Un: da 160 a 480VLN (da 277 a 830VLL). Modello AV5, In: 5A, Imax: 6A; Un: da 160 a 480VLN (da 277 a 830VLL). Modello AV6 In: 5A, Imax: 6A; Un: da 40 a 144VLN (da 70 a 250VLL). Modello AV7 In: 1A, Imax: 2A; Un: da 40 a 144VLN (da 70 a 250VLL). Corrente, modelli AV4, AV5, AV6, AV7 Da 0,01In a 0,5In: ±(0,5% RDG +2DGT). Da 0,05In a Imax: ±(0,2% RDG +1DGT). Tensione fase-neutro, nel campo Un: ±(0,2% RDG +1DGT). Tensione fase-fase, nel campo Un: ±(0,5% RDG +1DGT). Freqenza ±0,1Hz (da 45 a 65Hz). Potenza attiva ed apparente: da 0,01In a 0,05In, cosφ 1: ±(1% RDG +1DGT), da 0,05In a Imax, cosφ 0,5L, cosφ 1, cosφ 0,8C: ±(0,5% RDG +1DGT). Fattore di potenza: ±[0.001+0.5%(1.000 - "PF RDG")]. Potenza reattiva, da 0,1In a Imax, senφ 0,5L/C: ±(1%RDG+1DGT), da 0,05In a 0,1In, senφ 0,5L/C: ±(1,5%RDG+1DGT), da 0,05In a Imax, senφ 1: ±(1%RDG+1DGT), da 0,02In a 0,05In, senφ 1: ±(1,5%RDG+1DGT). Energia attiva: Classe 0,5 secondo EN62053-22, ANSI C12.20 Classe C secondo EN50470-3. Energia reattiva Classe 1 secondo EN62053-23, ANSI C12.1. Corrente di avvio AV5, AV6 5mA. Corrente di avvio AV4, AV7 1mA. **Errori addizionali** secondo EN62053-22, ANSI C12.20. Grandezze di influenza Classe B o C secondo EN50470-3, EN62053-23, ANSI C12.1. **Distorsione armonica totale (THD)**: ±1% FS (FS: 100%), AV4: Imin: 5mARMS; Imax: 15Ap; Umin: 30VRMS; Umax: 585Vp, AV5: Imin: 5mARMS; Imax: 15Ap; Umin: 30VRMS; Umax: 585Vp, AV6: Imin: 5mARMS; Imax: 15Ap; Umin: 30VRMS; Umax: 585Vp, AV7: Imin: 5mARMS; Imax: 15Ap; Umin: 30VRMS; Umax: 585Vp. **Deriva termica**: ≤200ppm/°C. **Frequenza di campionamento**: 3200 campionio/s @ 50Hz, 3840 campionio/s @ 60Hz. **Misure**, metodo TRMS misura delle forma d'onda distorte. Tipo di accoppiamento Mediante TA. **Fattore di cresta** AV5, AV6: ≤3 (15A max. picco) AV4, AV7: ≤3 (3A max. picco). **Sovraccarico corrente**: continuo (AV5 e AV6) 6A, @ 50Hz. Continuo (AV4 e AV7) 2A, @ 50Hz. Per 500ms (AV5 e AV6) 120A, @ 50Hz. Per 500ms (AV4 e AV7) 40A, @ 50Hz. **Sovraccarico**: continuo 1,2 Un. Per 500ms 2 Un. **Impedenza d'ingresso**: 400VLL (AV4 e AV5) >1,6MΩ. 208VLL (AV6 e AV7) >1,6MΩ. 5(10)A (AV5 e AV6) <0,2VA. 1(2)A (AV4 e AV7) <0,2VA. **Frequenza** da 40 a 440 Hz. **Cotatori**: totali, 4 (9+1 digit). Parziali, 4 (9+1 digit). **Uscita impuls**: associabile ai contatori parziali e/o totali. **Registrazione dei contatori**: memorizzazione dei contatori parziali e totali. Formato dei contatori memorizzati (EEPROM) Min. -9,999,999,999.9 kWh/kvarh. Max. 9,999,999,999.9 kWh/kvarh. **Contatori di energia**: totali, +kWh, +kvarh, -kWh, -kvarh. Parziali, +kWh, +kvarh, -kWh, -kvarh. **Principio dell'analisi** FFT. **Misura dell'armonica**, corrente, fino alla 32a armonica. Tensione, fino alla 32a armonica. **Tipa di armoniche** THD (VL1 e VL1-N) lo stesso per le altre fasi: L2, L3. THD (AL1) lo stesso per le altre fasi L2, L3. **Sistema**: la distorsione armonica è misurabile sia in un sistema 3 fili che 4 fili. Tw: 0,02 sec@50Hz senza filtro. **Alimentazione**: H: da 90 a 260VAC/DC; L: da 18 a 60VCA/CC (da 48 a 62Hz). Autoconsumo CA: 6VA; CC: 3,5W. **Temperatura di funzionamento** da -25°C a +55°C (da -13°F a 131°F) (U.R. da 0 a 90% senza condensa @ 40°C) secondo EN62053-21 e EN62053-23. **Temperatura di immagazzinamento** da -30°C a +70°C (da -22°F a 140°F) (U.R. <90% senza condensa @ 40°C) secondo EN62053-21 e EN62053-23. **Categoria di installazione**: Cat. III (IEC60664, EN60664). **Isolamento (per 1 minuto)** 4000 VRMS tra ingressi di misura ed alimentazione. 4000 VRMS tra alimentazione e RS485/uscite digitali. **Rigidità dielettrica** 4000 VRMS per 1 minuto. **Reiezione** CMRR 100 dB, da 48 a 62 Hz. **EMC** secondo EN62052-11. Scariche elettrostatiche 15kV scarica in aria; Immunità campi elettromagnetici irradianti, provato con corrente applicata: 10V/m da 80 a 2000MHz; provato senza corrente applicata: 30V/m da 80 a 2000MHz. Immunità ai transitori veloci, sui circuiti degli ingressi di misura in corrente e tensione: 4kV. Immunità ai radiodisturbi condotti: 10V/m da 150KHz a 80MHz. Immunità ad impulso, sui circuiti degli ingressi di misura in corrente e tensione: 4kV; sull'alimentazione "L": 1kV. Emissioni in radiofrequenza: secondo CISPR 22. **Conformità alle norme**: sicurezza IEC60664, IEC61010-1 EN60664, EN61010-1 EN62052-11. Metrologia: EN62053-21, EN50470-3, EN62053-23. Uscita impulsiva DIN43864, IEC62053-31. Approvazioni: CE, cULus listed. **Connessioni**: a vite. Sezione del cavo: max. 2,5 mm2. Coppia min./max serraggio: 0,4 Nm / 0,8 Nm. Consigliata: 0,5 Nm. **Custodia**: dimensioni (LxAxP) modulo base: 96x96x50mm. Moduli tipo "A" e "B": 89,5x63x16mm. Modulo tipo "C": 89,5x63x20mm. Ingombro massimo dietro il pannello Con 3 moduli (A+B+C): 81,7 mm. Materiale: nylon PA66, autoestinguenza: UL 94 V-0. Montaggio a pannello. **Grado di protezione**: frontale: IP65, NEMA4x, NEM12. Morsetti: IP20.

DEUTSCH

Messeingänge: Phasensystem: Systemcode: 1, 2 oder 3. Strommessung: Galvanische Isolation durch integrierte Stromwandler. Strombereich (Stromwandler) AV5 und AV6: 5(6)A. AV4 und AV7: 1(2)A. Spannung (Direktmessung oder Spannungswandler) AV4, AV5: 400/690VLL; AV6, AV7: 100/208VLL. **Genauigkeit** (Anzeige + RS485) (bei 25°C ±5°C, R.F. ≤60%, 48 bis 62 Hz) In: Nennstrom, Un: Nennspannung: Modell AV4, In: 1A, Imax: 2A; Un: 160 bis 480VLN (277 bis 830VLL). Modell AV5, In: 5A, Imax: 6A; Un: 160 bis 480VLN (277 bis 830VLL). Modell AV6, In: 5A, Imax: 6A; Un: 40 bis 144VLN (70 bis 250VLL). Modell AV7, In: 1A, Imax: 2A; Un: 40 bis 144VLN (70 bis 250VLL). Strom Modelle AV4, AV5, AV6, AV7 VON 0,01In bis 0,5In: ±(0,5% RDG +2stellig). Von 0,05In bis Imax: ±(0,2% RDG +2stellig). Spannung Phase - N Bereich Un: ±(0,2% RDG +1stellig). Spannung Phase - Phase Bereich Un: ±(0,5% RDG +1stellig). Frequenz: ±0.1Hz (45 bis 65Hz). Wirk- und Scheinleistung: 0,01In bis 0,05In, PF 1: ±(1%RDG+1stellig). VON 0,05In bis Imax. PF 0.5L, PF1, PF0.8C: ±(0,5%RDG+1stellig). Leistungsfaktor: ±[0,001+0,5%(1,000 - "PF RDG")]. Blindleistung: 0,1In bis Imax, senφ 0,5L/C: ±(1%RDG+1stellig). 0,05In bis 0,1In, senφ 0,5L/C: ±(1,5%RDG+1stellig). 0,05In bis Imax, senφ 1: ±(1%RDG+1stellig). 0,02In bis 0,05In, senφ 1: ±(1,5%RDG+1stellig). Energie: Klasse 0.5 gemäß EN62053-22, ANSI C12.20. Klasse C gemäß EN50470-3. Blindleistung: Klasse 1 gemäß EN62053-23, ANSI C12.1. Startstrom AV5, AV6 5mA. Startstrom AV4, AV7 1mA. **Zusätzlicher Energiefehler**: gemäß EN62053-22, ANSI C12.20, Bereichsüberschreitungs-abhängig: Klasse B oder C gemäß EN50470-3, EN62053-23, ANSI C12.1. **Gesamte Harmonische Verzerrung (THD)**: ±1% BE (BE: 100%). AV4: Imin: 5mARMS; Imax: 15Ap; Umin: 30VRMS; Umax: 585Vp. AV5: Imin: 5mARMS; Imax: 15Ap; Umin: 30VRMS; Umax: 585Vp. AV6: Imin: 5mARMS; Imax: 15Ap; Umin: 30VRMS; Umax: 585Vp. AV7: Imin: 5mARMS; Imax: 15Ap; Umin: 30VRMS; Umax: 585Vp. **Temperaturdrift**: ≤200ppm/°C. **Abtaststrate** 3200 Abtastwertes/s bei 50Hz, 3840 Abtastwertes/s bei 60Hz. Messmethode TRMS-Messungen von verzerrten Wellenformen. Wandleranschluss Durch Stromwandler. **Scheitelwertfaktor**: AV5, AV6: ≤3 (15A Höchstspitze). AV4, AV7: ≤3 (3A Höchstspitze). **Überlaststrom**: Dauer (AV5 und AV6) 6A, bei 50Hz. Dauer (AV4) 2A, bei 50Hz. Für 500ms (AV5 und AV6) 120A, bei 50Hz. Für 500ms (AV4 uund AV7) 40A, bei 50Hz. **Überlastspannung**: Dauer 1,2 Un. Für 500ms 2 Un. **Eingangsimpedanz**: 400VL-L (AV4 und AV5) >1,6MΩ. 208VL-L (AV6 und AV7) >1,6MΩ. 5(10)A (AV5 und AV6) <0,2VA. 1(2)A (AV4 und AV7) <0,2VA. **Frequenz**: 40 bis 440 Hz. **Zähler**: Gesamt 4 (9+1 Ziffern). Partiell 4 (9+1 Ziffern). **Impulsausgang**: Anschließbar an Gesamtund/oder Teilzähler. **Aufzeichnung der Energiemessung**: Aufzeichnung von Gesamt- und Teilenergiemessung. Aufzeichnung der Energiemessung(EEPROM) Min. -9,999,999,999.9 kWh/kvarh. Max. 9,999,999,999.9 kWh/kvarh. **Energiezähler**: Gesamte Energiezähler +kWh, +kvarh, -kWh, -kvarh. Teilenergiezähler +kWh, +kvarh, -kWh, -kvarh. **Analyseprinzip**: FFT. **Wellenmessung**: Strom Bis zur 32. Harmonischen: Spannung Bis zur 32. Harmonischen. **Wellentypen**: THD (VL1 y VL1-N) Dasselbe für andere Phasen: L2, L3. THD (AL1) Dasselbe für andere Phasen: L2, L3. **System**: Die harmonische Verzerrung kann in Systemen mit 3 oder 4 Leiter gemessen werden. Tw: 0,02 sec@50Hz ohne Filter. **Modelle mit Hilfsstromversorgung**: H: 90 bis 260VAC/DC; L: 18 bis 60VAC/DC (48 bis 62Hz). **Leistungsaufnahme**: AC: 6 VA; DC: 3,5 W. **Betriebstemperatur** -25°C bis +55°C (-13°F bis 131°F) (R.F. von 0 bis 90% nicht kondensierend bei 40°C) gemäß EN62053-21, EN50470-1 und EN62053-23. **Lagertemperatur**: -30°C bis +70°C (-22°F bis 158°F) (R.F. < 90% nicht kondensierend bei 40°C) gemäß EN62053-21, EN50470-1 und EN62053-23. **Installationskategorie**: Kat. III (IEC60664, EN60664). **Durchschlagfestigkeit**: 4kVAC RMS für 1 Minute. **Rauschdrückungsverhältnis**: GTUV 100 dB, 48 bis 62 Hz. **EMC**: According to EN62052-11. Elektrostatiche Entladungen: 15kV air discharge; Strahlungsimmunität: Test mit angelegten Strom: 10V/m von 80 bis 2000MHz; Elektromagnetfeld. Test ohne angelegten Strom: 30V/m von 80 bis 2000MHz; Ladungsimpuls: Am Strom- und Eingangsspannungsmesskreis: 4kV. Leiterstörungsimmunität: 10V/m von 150KHz bis 80MHz. Überspannungsfestigkeit: Strom- und Eingangsspannungsmesskreis: 4kV; an „L“ Hilfsstromversorungseingang: 1kV; Störaustrahlung Gemäß CISPR 22. **Standardkonformität**: Sicherheit: IEC60664, IEC61010-1 EN60664, EN61010-1 EN62052-11. Messungen: EN62053-21, EN62053-23, EN50470-3. MID "Anhang MI-003". Impulsausgang: DIN43864, IEC62053-31. Zulassungen: CE, cULus "Listed". **Anschlüsse**: Schraubklemmen, Kabelquerschnitt: 2,5 mm2. Min./Max. Anzugsmoment: 0,4 Nm / 0,8 Nm. Empfohlene Anzugsmoment: 0,5 Nm. **Gehäuse DIN** Abmessungen (LxHxB): 96x96x50mm. Tiefe hinter der DIN-Schiene Mit 3 Modulen (A+B+C): 81,7 mm. Material ABS, selbstlöschend: UL 94 V-0. Montage: DIN-Schiene. **Schutzgrad**: Vorderseite, IP65, NEMA4x, NEM12. Schraubklemmen: IP20.

FRANÇAIS

Entrées nominales. Type de réseau: 1, 2 ou 3-phases. Type de courant: Isolation galvanisée par TC incorporé. Plage de courant (par TC) AV5 et AV6: 5(6)A. AV4 et AV7: 1(2)A. Tension direct ou par TT/TP AV4, AV5: 400/690VLL; AV6, AV7: 100/208VLL. **Précision** (Afficheur + RS485) (@25°C ±5°C, H.R. ≤60%, 48 à 62 Hz) In: voir ci-dessous, Un: voir ci-dessous, Modèle AV4 In: 1A, Imax: 2A; Un: 160 à 480VLN (277 à 830VLL). Modèle AV5 In: 5A, Imax: 6A; Un: 160 à 480VLN (277 à 830VLL). Modèle AV6 In: 5A, Imax: 6A; Un: 40 à 144VLN (70 à 250VLL). Modèle AV7 In: 1A, Imax: 2A; Un: 40 à 144VLN (70 à 250VLL). Courant modèles AV4, AV5, AV6, AV7. De 0,01In à 0,5In: ±(0,5% RDG +2DGT). De 0,05In à Imax: ±(0,2% RDG +2DGT). Tension phase-neutre, Dans l'intervalle Un: ±(0,2% RDG +1DGT). Tension phase-phase, Dans l'intervalle Un: ±(0,5% RDG +1DGT). Fréquence: ±0,1Hz (45 à 65Hz). Puissance active et apparente: 0,01In à 0,05In, PF 1: ±(1%RDG+1DGT). De 0,05In à Imax, PF 0,5L, PF1, PF0,8C: ±(0,5%RDG+1DGT). Facteur de puissance: ±[0,001+0,5%(1,000 - "PF RDG")]. Ruisance réactive: 0,1In à Imax, senφ 0,5L/C: ±(1%RDG+1DGT). 0,05In à 0,1In, senφ 0,5L/C: ±(1,5%RDG+1DGT). 0,05In à Imax, senφ 1: ±(1%RDG+1DGT). 0,02In à 0,05In, senφ 1: ±(1,5%RDG+1DGT). Energie active: Classe 0,5 selon EN62053-22, ANSI C12.20. Classe C selon EN50470-3. Energie réactive: Classe 1 selon EN62053-23, ANSI C12.1. Courant de démarrage AV5, AV6: 5mA. Courant de démarrage AV4, AV7: 1mA. **Erreurs additionnelles énergie**: Selon EN62053-22, ANSI C12.20. Quantités influentes: Classe B ou C selon EN50470-3, EN62053-23, ANSI C12.1. **Distorsion harmonique totale (THD)**: ±1% PE (PE: 100%). AV4: Imin: 5mARMS; Imax: 15Ap; Umin: 30VRMS; Umax: 585Vp. AV5: Imin: 5mARMS; Imax: 15Ap; Umin: 30VRMS; Umax: 585Vp. AV6: Imin: 5mARMS; Imax: 15Ap; Umin: 30VRMS; Umax: 585Vp. AV7: Imin: 5mARMS; Imax: 15Ap; Umin: 30VRMS; Umax: 585Vp. **Dérive de température**: ≤200ppm/°C. **Taux d'échantillonnage**: 3200 échantillons/s @ 50Hz, 3840 échantillons/s @ 60Hz. **Mesures**, méthode: mesures TRMS de formes d'ondes déformées. Type de raccordement: au moyen d'un TC. **Facteur de crête**: AV5, AV6: ≤3 (15A pic max), AV4, AV7: ≤3 (3A pic max). **Surcharges de courant**: continu (AV5 et AV6) 6A, @ 50Hz, Continu (AV4) 2A, @ 50Hz. Pour 500ms (AV5 et AV6) 120A, @ 50Hz. Pour 500ms (AV4 et AV7) 40A, @ 50Hz. **Surcharges de tension**, continu 1,2 Un. Pour 500ms 2 Un. **Impédance d'entrée**: 400VL-L (AV4 et AV5) > 1,6MΩ. 208VL-L (AV6 et AV7) > 1,6MΩ. 5(10)A (AV5 et AV6) < 0,2VA. 1(2)A (AV4 et AV7) <0,2VA. **Fréquence**: 40 à 440 Hz. **Compteurs**: total 4 (9+1 digit). Partiel 4 (9+1 digit). **Sortie impulsions**: raccordement possible aux compteurs d'énergie totale et/ou partielle. **Enregistrement du comptage d'énergie**: enregistrement du comptage d'énergie totale et partielle. Enregistrement du comptage d'énergie (EEPROM). Min. -9,999,999,999.9 kWh/kvarh. Max. 9,999,999,999.9 kWh/kvarh. **Compteurs d'énergie**: compteurs d'énergie totale +kWh, +kvarh, -kWh, -kvarh. Compteurs d'énergie partielle +kWh, +kvarh, -kWh, -kvarh. **Principe d'analyse**: FFT. **Mesure des harmoniques**: courant, jusqu'à la 32^{ème} harmonique. Tension, jusqu'à la 32^{ème} harmonique. **Type d'harmoniques**: THD (VL1 et VL1-N) Identique pour les autres phases: L2, L3. THD (AL1) Identique pour les autres phases: L2, L3. **Réseau**: on peut mesurer la distorsion harmonique dans réseaux 3-phases ou 4-phases. Tw: 0.02 sec@50Hz sans filtres. **Version auto-alimentée**: H: 90 à 260VCA/CC; L: 18 à 60VCA/CC (48 à 62Hz). **Consommation d'énergie**: AC: 6 VA; CC: 3,5 W.

Température de fonctionnement -25°C à +55°C (-13°F à 131°F) (H.R. de 0 à 90% sans condensation @ 40°C) selon EN62053-21, EN50470-1 and EN62053-23. **Température de stockage** -30°C à +70°C (-22°F à 158°F) (H.R. < 90% sans condensation @ 40°C) selon EN62053-21, EN50470-1 and EN62053-23. **Catégorie d'installation** Cat. III (IEC60664, EN60664). **Tension diélectrique**: 4kVCA RMS pour 1 minute. **Émission de bruit** CMRR 100 dB, 48 à 62 Hz. **CEM**: selon EN62052-11. Décharges électrostatiques 15kV décharge atmosphérique. Immunité à l'irradiation: test avec courant: 10V/m de 80 à 2000MHz. Champs électromagnétiques: test sans aucun courant: 30V/m de 80 à 2000MHz. Transitoires: sur circuit d'entrées de mesure courant et tension: 4kV. Immunité aux bruits par conduction 10V/m de 150KHz à 80MHz. Surentension: sur circuit d'entrées de mesure courant et tension: 4kV; sur entrée d'alimentation auxiliaire « L » : 1kV; suppression fréquence radio, selon CISPR 22. **Conformité aux standards**: sécurité IEC60664, IEC61010-1 EN60664, EN61010-1 EN62052-11. Métrologie: EN62053-21, EN62053-23, EN50470-3. MID "annexe MI-003". Sortie impulsion DIN43864, IEC62053-31. **Approbations**: CE, cULus "Listed". **Connexions**: À vis, Section de câbles max. 2,5 mm2. Min./Max. couple de serrage de vis: 0,4 Nm / 0,8 Nm. Couple de serrage de vis recommandé: 0,5Nm. **Boîtier DIN** Dimensions (LxHxD): 96x96x50mm. Profondeur max. derrière le panneau. Avec 3 modules (A+B+C): 81,7 mm Matériau ABS, autoextinguible: UL 94 V-0. Montage: montage sur panneau. **Indice de protection**: face avant IP65, NEMA4x, NEM12. Terminaisons de vis IP20.

ESPAÑOL

Entradas de medida. Tipo de sistema: monofásico, bifásico, trifásico. Tipo de entr. de intensidad: aislamiento galvaníco mediante CT incorporado. Escala de intens. (mediante CT) AV5 y AV6: 5(6)A. AV4 y AV7: 1(2)A. Tensión (conex. directa o con VT/PT) AV4, AV5: 400/690VLL; AV6, AV7: 100/208VLL. **Precisión** (Display + RS485) (a 25°C ±5°C, H.R. ≤60%, 48 a 62 Hz) In: ver abajo, Vn: ver abajo. Modelo AV4 In: 1A, Imax: 2A; Vn: 160 a 480VLN (277 a 830VLL). Modelo AV5 In: 5A, Imax: 6A; Vn: 160 a 480VLN (277 a 830VLL). Modelo AV6 In: 5A, Imax: 6A; Vn: 40 a 144VLN (70 a 250VLL). Modelo AV7 In: 1A, Imax: 2A; Vn: 40 a 144VLN (70 a 250VLL). Intensidad modelos AV4, AV5, AV6, AV7 De 0,01In a 0,05In: ±(0,5% lec. +2dí) De 0,05In a Imax: ±(0,2% lec. +2dí). Tensión fase-neutro, en la escala Vn: ±(0,2% lec. +1dí). Tensión fase-fase En la escala Vn: ±(0,5% lec. +1dí). Frecuencia: ±0,1Hz (45 a 65Hz). Potencia activa y aparente, 0,01In a 0,05In, PF 1: ±(1%lec.+1dí). De 0,05In a Imax PF 0,5L, PF1, PF0,8C: ±(0,5%lec.+1dí). Factor de potencia (PF): ±[0,001+0,5%(1,000 - "PF lec.")]. Potencia reactiva: 0,1In a Imax, senφ 0,5L/C: ±(1%lec. +1dí). 0,05In a 0,1In, senφ 0,5L/C: ±(1,5%lec. +1dí). 0,05In a Imax, senφ 1: ±(1%lec. +1dí). 0,02In a 0,05In, senφ 1: ±(1,5%lec. +1dí). Energía activa: Clase 0,5 según norma EN62053-22, ANSI C12.20. Clase C según norma EN50470-3. Energía reactiva: Clase 1 según norma EN62053-23, ANSI C12.1. Intensidad de arranque: AV5, AV6 5mA. Intensidad de arranque: AV4, AV7 1mA. **Errores adicionales de energía**: según norma EN62053-22, ANSI C12.20. Influencia: Clase B o C según norma EN50470-3, EN62053-23, ANSI C12.1. **Distorsión armónica total (THD)**: ±1% f.e. (f.e.: 100%). AV4: Imin: 5mARMS; Imax: 15Ap; Vmin: 30VRMS; Vmax: 585Vp; AV5: Imin: 5mARMS; Imax: 15Ap; Vmin: 30VRMS; Vmax: 585Vp. AV6: Imin: 5mARMS; Imax: 15Ap; Vmin: 30VRMS; Vmax: 585Vp. AV7: Imin: 5mARMS; Imax: 15Ap; Vmin: 30VRMS; Vmax: 585Vp. **Deriva térmica**: ≤200ppm/°C. **Frecuencia de muestreo**: 3200 lecturas/s a 50Hz, 3840 lecturas/s a 60Hz. **Medidas**, método: medida TRMS de tensión/intensidad de una onda distorsionada. Tipo de conexión: mediante CT. **Factor de cresta**: AV5, AV6: ≤3 (pico máx 15A). AV4, AV7: ≤3 (pico máx 3A). **Protec. contra sobrecargas de intensidad**: Continua (AV5 y AV6) 6A, a 50Hz. Continua (AV4) 2A, a 50Hz. Durante 500ms (AV5 y AV6) 120A, a 50Hz. Durante 500ms (AV4 y AV7) 40A, a 50Hz. **Protec. contra sobrecargas de tensión**: Continua 1,2 Vn. Durante 500ms 2 Vn. **Impedancia de entrada**: 400VL-L (AV4 y AV5) >1,6MΩ. 208VL-L (AV6 y AV7) >1,6MΩ. 5(10)A (AV5 y AV6) <0,2VA 1(2)A (AV4 y AV7) <0,2VA. **Frecuencia** 40 a 440 Hz. **Medidores**. Total 4 (9+1 dí). Parcial 4 (9+1 dí). **Salida de pulsos**: se puede asociar a los medidores de energía totales y parciales. **Registro del medidor**: almacenamiento del los medidores parciales y totales. Formato de almacenamiento del medidor de energía (EEPROM), Min. -9,999,999,999.9 kWh/kvarh. Máx. 9,999,999,999.9 kWh/kvarh. **Medidores de energía**: medidores de energía total +kWh, +kvarh, -kWh, -kvarh. Medidores de energía parcial +kWh, +kvarh, -kWh, -kvarh. **Método de análisis**: FFT. **Medida de armónicos**: Intensidad Hasta armónico nº32. Tensión: Hasta armónico nº32. **Tipo de armónicos**: THD (VL1 y VL1-N) lo mismo para las otras fases: L2, L3. THD (AL1) lo mismo para las otras fases: L2, L3. **Sistema**: la distorsión armónica puede medirse en sistemas de 3 hilos y de 4 hilos. Tw: 0,02s a 50Hz sin filtro. **Alimentación auxiliar**: H: 90 a 260VCA/CC; L: 18 a 60VCA/CC (48 a 62Hz). Consumo de potencia: CA: 6 VA; CC: 3,5 W. **Temperatura de trabajo**: -25

**Instruction Manual
Modules WM30/WM40**

Thank you
for choosing our products.

Grazie
per aver scelto i nostri prodotti.

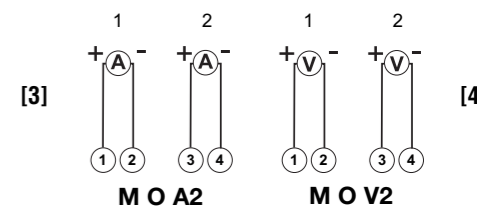
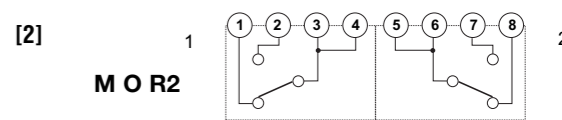
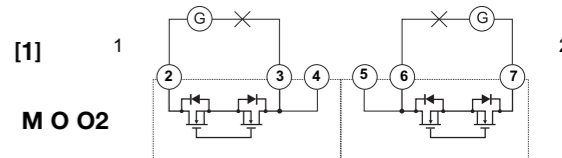
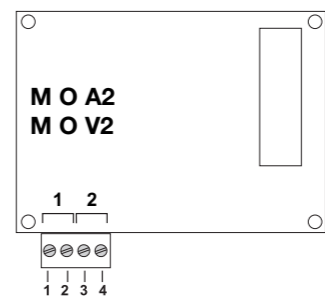
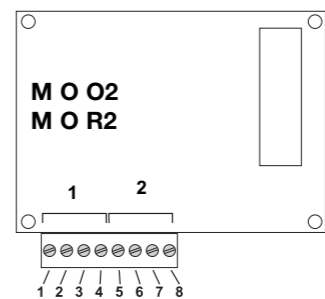
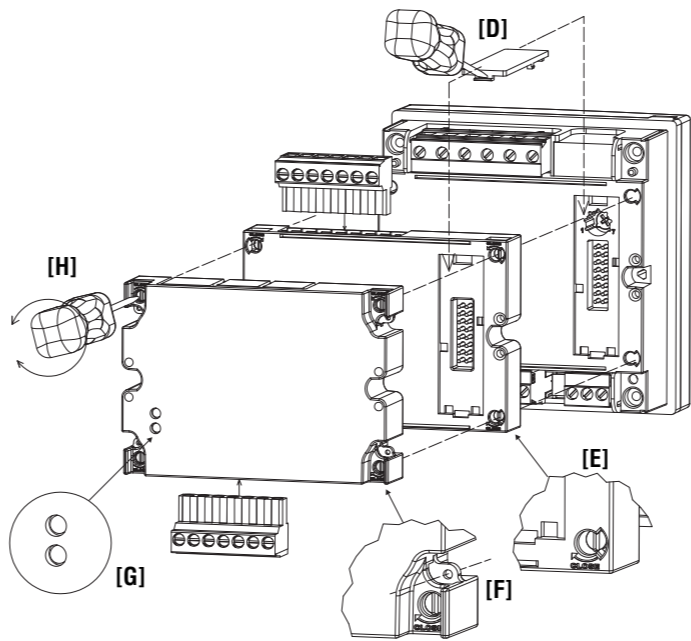
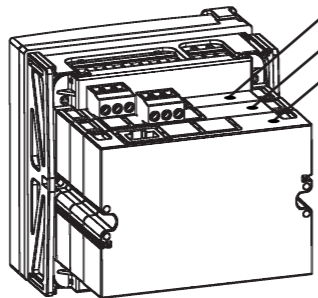
Wir danken
Ihnen dafür, dass Sie unsere
Produkte gewählt haben.

Gracias
por elegir nuestros productos.

Merci
d'avoir choisi nos produits.



Tab.1	A	B	C
M O O2, [1]	X		
M O R2, [2]	X		
M O A2, [3]		X	
M O V2, [4]		X	
M C 485 232, [5], [6]			X
M C ETH			X
M C BACnet-IP			X
MC BAC MS			X



ENGLISH



Read carefully the instruction manual. If the instrument is used in a manner not specified by the producer, the protection provided by the instrument may be impaired. **Maintenance:** make sure that the connections are correctly carried out in order to avoid any malfunctioning or damage to the instrument. To keep the instrument clean, use a slightly damp cloth; do not use any abrasives or solvents. We recommend to disconnect the instrument before cleaning it.

WARNING: it allows to mount only one module per type, for a maximum of 3 modules in total. To avoid any damage respect the position of the modules as shown on table 1. To make sure that the screw tightening torque is 0.5Nm. ALL THE MOUNTING AND DISASSEMBLY OPERATIONS OF THE INSTRUMENT AND MODULES HAVE TO OCCUR WHEN POWER SUPPLY AND THE LOADS ARE NOT CONNECTED.

WIRING DIAGRAMS

- [1] 2 static opto-mosfet outputs.
- [2] 2 relays outputs.
- [3] 2 analogue outputs 20mA DC.
- [4] 2 analogue outputs 10V DC.
- [5] RS485 serial port. **IMPORTANT:** additional devices provided with RS485 are connected in parallel. The termination of the serial output is carried out only on the last instrument of the network, by means of a jumper between B+ and T.
- [6] RS232 serial port. **IMPORTANT:** the termination must be done by means of a jumper between B+ and T.

A: the communication RS232 and RS485 ports **can't be** connected and used simultaneously. **MC BAC MS module is only supplied with RS485.** To connect the ethernet or BACnet-IP modules using the RJ45 connector.

[G] The communication modules are provided with LED indicating the communication status RX or TX.
Preliminary operations: remove the protection cover of the contacts **[D]**, using a properly screwdriver.
Lock and sealing the modules: to lock the modules turning (clockwise) the properly fixing elements on the corners **[E]**, **[F]**, using a properly screwdriver **[H]**. To seal the instrument use the dedicated holes **[F]**.

ITALIANO



Leggere attentamente il manuale di istruzioni. Qualora l'apparecchio venisse adoperato in un modo non specificato dal costruttore, la protezione prevista dall'apparecchio potrebbe essere compromessa. **Manutenzione:** Per mantenere pulito lo strumento usare un panno inumidito; non usare abrasivi o solventi. Si consiglia di scollegare lo strumento prima di eseguire la pulizia. **ATTENZIONE:** è possibile montare un unico modulo per tipo, per un massimo di tre moduli in totale. Per evitare malfunzionamenti rispettare la posizione dei moduli come indicato dalla tabella 1. Porre attenzione alla coppia di serraggio applicata alle viti dei morsetti che sia di: 0,5Nm. **TUTTE LE OPERAZIONI DI MONTAGGIO E SMONTAGGIO DELLO STRUMENTO E DEI MODULI VANNO ESEGUITE CON ALIMENTAZIONE E CARICO SCOLLEGATI.**

COLLEGAMENTI ELETTRICI

- [1] Doppia uscita statica a opto-mosfet.
- [2] Doppia uscita statica a relè.
- [3] Doppia uscita analogica a 20mA CC.
- [4] Doppia uscita analogica a 10V CC.
- [5] Uscita porte seriali RS485. **IMPORTANTE:** ulteriori strumenti provvisti di RS485 sono collegati in parallelo. La terminazione dell'uscita seriale dev'essere eseguita solo sull'ultimo strumento della rete mediante un ponticello tra i morsetti B+ e T.
- [6] Uscita porte seriali RS232. **IMPORTANTE:** eseguire la terminazione mediante un ponticello tra i morsetti B+ e T.

A: le porte di comunicazione RS232 e RS485 **non possono** essere usate e connesse insieme. **Il modulo MC BAC MS è provvisto della sola porta RS485.** Per COLLEGARE i moduli con uscita ethernet o BACnet-IP utilizzare l'apposito conettore RJ45.

[G] Il modulo di comunicazione è provvisto di appositi LED segnalanti lo stato di comunicazione RX o TX.
Operazione preliminare: smontare la finestra di protezione dei contatti **[D]**, utilizzando un apposito cacciavite a taglio.
Bloccaggio e sigillatura dei moduli: per bloccare i moduli agire sugli appositi elementi di fissaggio posti agli angoli dei moduli stessi **[F]**, **[E]**, utilizzando un adeguato cacciavite a taglio **[H]**. Il sigillo va apposto utilizzando i fori dedicati **[F]**.

DEUTSCH



Die Betriebsanleitung aufmerksam lesen. Sollte das Gerät nicht gemäß der Herstellerangaben verwendet werden, könnte der vom Gerät vorgesehene Schutz beeinträchtigt werden.

Wartung: Das Gerät mit einem feuchten Tuch reinigen; keine Scheuer- oder Lösemittel verwenden. Das Gerät vor der Reinigung ausschalten.

ACHTUNG: Pro Typ kann nur ein einziges Modul montiert werden, d.h. insgesamt maximal drei Module. Um Störungen zu vermeiden, sollte die Position der Module gemäß Tabelle 1 eingehalten werden. Außerdem ist darauf zu achten, dass das Anzugsmoment der Klemmschrauben 0,5Nm beträgt. **SOWOHL BEI DER MONTAGE, ALS AUCH BEIM AUSBAU DES GERÄTES UND DER MODULE MÜSSEN STROMVERSORGUNG UND STROMLAST STETS VORHER ABGETRENNT WERDEN.**

ELEKTRISCHE ANSCHLÜSSE

- [1] Doppelter statischer Ausgang Opto-mosfet.
- [2] Doppelter statischer Ausgang Relais.
- [3] Doppelter analoger Ausgang 20mA DC.
- [4] Doppelter analoger Ausgang 10V DC.
- [5] Ausgang serielle RS485-Anschlüsse. **WICHTIG:** Weitere mit RS485 ausgestattete Geräte sind parallel angeschlossen. Der Endverschluss des seriellen Ausgangs darf nur am letzten Gerät des Netzes mit einer Überbrückung zwischen den Klemmen B+ und T durchgeführt werden.
- [6] Ausgang serielle RS232-Anschlüsse. **WICHTIG:** Der Endverschluss muss mit einer Überbrückung zwischen den Klemmen B+ und T durchgeführt werden.

A: Die Kommunikationsanschlüsse RS232 und RS485 können nicht gemeinsam verwendet und angeschlossen werden. **Das MC BAC MS Modul wird nur mit RS485 geliefert.**

Für den ANSCHLUSS der Module an den Ethernet- oder BACnet-IP-Ausgang den dafür vorgesehenen RJ45-Stecker verwenden.

[G] Das Kommunikationsmodul ist mit entsprechenden LED ausgestattet, die den Kommunikationsstatus RX oder TX anzeigen.

Vorbereitung: Das Schutzfenster der Kontakte **[D]** mit einem Schlitzschraubenzieher entfernen.

Befestigung und Versiegelung der Module: Die Befestigung der Module erfolgt über die an den Ecken derselben vorgesehenen Befestigungselemente **[F]**, **[E]**, mit Hilfe eines passenden Schlitzschraubenziehers **[H]**. Das Siegel wird über die hierfür vorgesehenen Löcher **[F]** angebracht.

FRANÇAIS



Lire attentivement le manuel de l'utilisateur. Si l'appareil est utilisé dans des conditions différentes de celles spécifiées par le fabricant, le niveau de protection prévu par l'instrument peut être compromis. **Entretien:** Pour nettoyer l'instrument, utiliser un chiffon humide; ne pas utiliser d'abrasifs ou de solvants. Il faut déconnecter le dispositif avant de procéder au nettoyage.

ATTENTION: il est possible de monter un module unique par type, avec un maximum de trois modules au total. Afin d'éviter les dysfonctionnements, respecter la position des modules comme l'indique le tableau 1. Faire attention à ce que le couple de serrage appliqué aux vis des bornes soit de : 0,5Nm. **POUR TOUTES LES OPÉRATIONS DE MONTAGE ET DÉMONTAGE DE L'INSTRUMENT ET DES MODULES IL FAUT QUE L'ALIMENTATION ET LA CHARGE SOIENT DÉBRANCHÉES.**

BRANCHEMENTS ÉLECTRIQUES

- [1] Double sortie statique à opto-mosfet.
- [2] Double sortie statique à relais.
- [3] Double sortie analogique à 20mA CC.
- [4] Double sortie analogique à 10V CC.
- [5] Sortie ports série RS485. **IMPORTANT:** d'autres instruments pourvus de RS485 sont branchés en parallèle. La terminaison de la sortie série doit se faire uniquement sur le dernier instrument du réseau au moyen d'un cavalier entre les bornes B+ et T.
- [6] Sortie ports série RS232. **IMPORTANT:** procéder à la terminaison au moyen d'un cavalier entre les bornes B+ et T.

A: les ports de communication RS232 et RS485 ne peuvent pas être utilisés et branchés ensemble. **Le module MC BAC MS est fourni uniquement avec RS485.**

Pour BRANCHER les modules avec sortie Ethernet ou BACnet-IP utiliser le connecteur RJ45 prévu à cet effet.

[G] Le module de communication est pourvu de LED spécifiques qui signalent l'état de communication RX ou TX.

Opération préliminaire: démonter la fenêtre de protection des contacts **[D]**, en utilisant un tournevis plat approprié.

Bloquer et sceller les modules: pour bloquer les modules, agir sur les éléments de fixation prévus à cet effet, situés aux angles des modules mêmes **[F]**, **[E]**, en utilisant un tournevis plat approprié **[H]**. Poser le sceau en utilisant les trous spécifiques prévus **[F]**.

ESPAÑOL



Lea atentamente el manual de instrucciones. Si el instrumento se usa de modo distinto al indicado por el fabricante, la protección de seguridad ofrecida por el instrumento podrá resultar dañada. **Mantenimiento:** para limpiar el equipo utilizar siempre un trapo ligeramente humedecido, nunca productos abrasivos o disolventes. Se recomienda desconectar siempre el instrumento antes de limpiarlo.

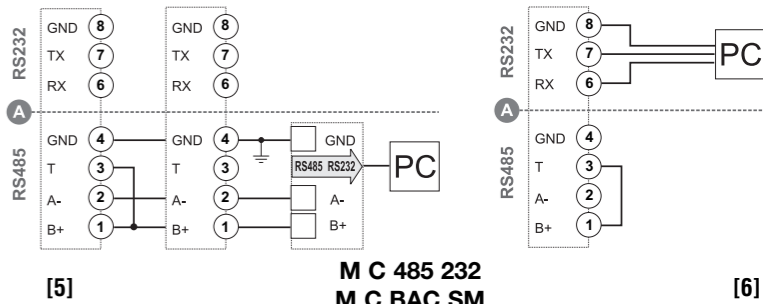
ATENCIÓN: es posible montar un solo módulo por tipo, para un total máximo de tres módulos. Para evitar daños respete la posición de los módulos tal como se indica en la tabla 1. Ponga cuidado en que el par de apriete aplicado sea de: 0,5Nm. **TODAS LAS OPERACIONES DE MONTAJE Y DESMONTAJE DEL INSTRUMENTO Y DE LOS MÓDULOS DEBE REALIZARSE CON LA ALIMENTACIÓN Y LA CARGA DESCONECTADAS.**

CONEXIONES ELÉCTRICAS

- [1] Doble salida estática opto-mosfet.
- [2] Doble salida estática de relé.
- [3] Doble salida analógica de 20mA CC.
- [4] Doble salida analógica de 10V CC.

Tab. 2	A	B	C	D	E	F	G
A	-	4kV	4kV	4kV	4kV	4kV	4kV
B	4kV	2kV	NA	4kV	4kV	4kV	4kV
C	4kV	NA	2kV	4kV	4kV	4kV	4kV
D	4kV	4kV	4kV	-	4kV	4kV	4kV
E	4kV	4kV	4kV	4kV	0kV	4kV	4kV
F	4kV	4kV	4kV	4kV	4kV	-	4kV
G	4kV	4kV	4kV	4kV	4kV	4kV	-

A= Measuring input - Ingressi di misura - Messeingänge - Entrées de mesure - Entr. de medida.
B= Relay outputs - Uscita relè - Relaisausgänge - Sorties à relais - Salidas de relé.
C= Static outputs - Uscita statica - Statische Ausgänge - Sorties statiques - Salidas estáticas.
D= Communication port - Porta di comunicazione - Kommunikations-Schnittstelle - Port de commun - Puerto de comunicación.
E= Analogue outputs - Uscite analogiche - Analoge Ausgänge - Sortie analogiques - Salidas analógicas.
F= Digital inputs - Ingressi digitali - Digitaleingänge - Entrées logiques - Entradas digitales
G= Power supply - Alimentazione - Hilfsstromversorgung - Alimentation auxiliaire - Alimentación auxiliar.



- [5] Salida de puerto serie RS485. **IMPORTANTE:** Instrumentos adicionales dotados de RS485 se conectan en paralelo. La terminación de la salida serie sólo debe realizarse en el último instrumento de la red mediante un puente entre B+ y T.
- [6] Salida de puerto serie RS232. **IMPORTANTE:** realice la terminación mediante un puente entre B+ y T.

A: los puertos de comunicación RS232 y RS485 no pueden utilizarse ni conectarse al mismo tiempo. **El módulo MC BAC MS se suministra sólo con RS485.**

Para CONECTAR los módulos con salida ethernet o BACnet-IP utilice el conector RJ45.

[G] Los módulos de comunicación están dotados de LEDs que señalan el estado de comunicación RX o TX.

Operación preliminar: desmonte la ventana de protección de los contactos **[D]**, utilizando un destornillador de punta plana.

Bloqueo y sellado de los módulos: para bloquear los módulos gire en el sentido de las agujas del reloj los específicos elementos de fijación de los extremos de los módulos **[E]**, **[F]**, utilizando un adecuado destornillador de punta plana **[H]**. Para sellar el equipo use los orificios específicos **[F]**.

ENGLISH

Relay outputs (M O R2). Physical outputs 2 (max. one module per instrument). Purpose for either alarm output or pulse output. Type, relay, SPDT type, AC 1-5A @ 250VAC; AC 15-1.5A @ 250VAC, DC 12-5A @ 24VDC; DC 13-1.5A @ 24VDC. Configuration, by means of the front key-pad. Function, the outputs can work as alarm outputs but also as pulse outputs, remote controlled outputs, or in any other combination. Alarms up alarm and down alarm linked to the virtual alarms. Min. response time ≤200ms, filters excluded. Set-point on-time delay: "0 s". Pulse: signal retransmission: Total: +kWh, -kWh, +kvarh, -kvarh. Partial: +kWh, -kWh, +kvarh, -kvarh. Pulse duration, programmable from 0.001 to 10.00 kWh/kvarh per pulse. ≥100ms <120msec (ON), ≥120ms (OFF), according to EN62052-31. Remote controlled outputs: the activation of the outputs is managed through the serial communication port.

Static outputs (M O O2). Opto-Mosfet type. Physical outputs: 2 (max. one module per instrument). Purpose, for either pulse output or alarm output. Signal: VON:2.5VAC/DC/máx.100mA, VOFF: 260VAC/DC max. Configuration, by means of the front key-pad. Function: the outputs can work as alarm outputs but also as pulse outputs, remote controlled outputs, or in any other combination. Alarms: up alarm and down alarm linked to the virtual alarms. Min. response time ≤200ms, filters excluded. Set-point on-time delay: "0 s". Pulse: signal retransmission: Total: +kWh, -kWh, +kvarh, -kvarh. Partial: +kWh, -kWh, +kvarh, -kvarh. Pulse duration: programmable from 0.001 to 10.00 kWh/kvarh per pulse. ≥100ms < 120msec (ON), ≥120ms (OFF), according to EN62052-31. Remote controlled outputs: the activation of the outputs is managed through the serial communication port.

20mA analogue outputs (M O A2). Number of outputs 2 (max. one module per instrument). Accuracy (@ 25°C ±5°C, R.H. <60%) ±0.2%FS. Range 0 to 20mA. Configuration: by means of the front key-pad. Signal retransmission: the signal output can be connected to any instantaneous variable available. Scaling factor: programmable within the whole range of retransmission; it allows the retransmission management of all values from 0 to 20 mAADC. Response time <400 ms typical (filter excluded). Ripple ≤1% (according to IEC 60688-1, EN 60688-1). Total temperature drift ≤500 ppm/°C. Load ≤600Ω.

10VDC analogue outputs (M O V2). Number of outputs 2 (max. one module per instrument). Accuracy (@ 25°C ±5°C, R.H. ≤60%) ±0.2%FS. Range 0 to 10 VDC. Configuration: by means of the front key-pad. Signal retransmission: the signal output can be connected to any instantaneous variable available. Scaling factor: programmable within the whole range of retransmission; it allows the retransmission management of all values from 0 to 10VDC. Response time: ≤400 ms typical (filter excluded). Ripple: ≤1% (according to IEC 60688-1, EN 60688-1). Total temperature drift: ≤500 ppm/°C. Load: ≥10kΩ.

RS485/RS422 port. Type: multidrop, bidirectional. Connections: 2-wire. Max. distance 1000m, termination directly on the module. Addresses: 247, selectable by means of the front key-pad. Protocols: MODBUS/JBUS (RTU). Protocols: modbus (247 addresses selectable by front key pad); BACnet MS/TP (instance numbers selectable by programming software). Data format: 1 start bit, 8 data bit, no/even/odd parity,1 stop bit. Baud-rate, selectable: 9.6k, 19.2k, 38.4k, 115.2k bit/s. Driver input capability 1/5 unit load. Maximum 160 transceivers on the same bus.

RS232 port (on request). Type: bidirectional. Connections 3 wires. Max. distance

15m. Protocol: MODBUS RTU /JBUS. Data format 1 start bit, 8 data bit, no/even/odd parity,1 stop bit. Baud-rate, selectable: 9.6k, 19.2k, 38.4k, 115.2k bit/s.

Ethernet/Internet port (on request). Protocols: Modbus TCP/IP. IP configuration:

Static IP / Netmask / Default gateway. Port selectable (default 502). Client connections: Max 5 simultaneously. Connections: RJ45 10/100 BaseTX. Max. distance 100m.

BACnet-IP (on request). Protocols: BACnet-IP (for measurement reading) and Modbus TCP/IP (for programming parameter, instance number selectable by programming software). IP configuration Static IP / Netmask / Default gateway.

BACnet-IP Port. Fixed: BAC0h. Modbus Port Selectable (default 502). Client connections: modbus only: max 5 simultaneously. Connections RJ45 10/100 BaseTX Max. distance 100m.

Operating temperature -25°C to +55°C (-13°F to 131°F) (R.H. from 0 to 90% non-condensing @ 40°C) according to EN62053-21, EN50470-1 and EN62053-23. **Storage temperature** -30°C to +70°C (-22°F to 158°F) (R.H. < 90% non-condensing @ 40°C) according to EN62053-21, EN50470-1 and EN62053-23. **Installation category** Cat. III (IEC60664, EN60664). **Dielectric strength** 4000 VRMS for 1 minute. **Noise rejection** CMRR 100 dB, 48 to 62 Hz. **EMC** according to EN62052-11. Electrostatic discharges: 15kV air discharge. Immunity to irradiated: test with current: 10V/m from 80 to 2000MHz. Electromagnetic fields: test without any current: 30V/m from 80 to 2000MHz. Burst: on current and voltage measuring inputs circuit: 4kV. Immunity to conducted disturbances: 10V/m from 150KHz to 80MHz. Surge: on current and voltage measuring inputs circuit: 4kV; on "L" auxiliary power supply input: 1kV. Radio frequency suppression: according to CISPR 22. **Standard compliance**: safety: IEC60664, IEC61010-1 EN60664, EN61010-1 EN62052-11. Metrology EN62053-21, EN62053-23, EN50470-3. Pulse output: DIN43864, IEC62053-31. **Approvals**: CE, cULus "Listed". **Connections**: Screw-type. Cable cross-section area: max. 2.5 mm2. Min./max. Screws tightening torque: 0.4 Nm / 0.8 Nm. Suggested: 0.5 Nm. **Housing** dimension: "A" and "B" type modules: 89,5x63x16mm. "C" type module: 89,5x63x20mm. Max. depth behind the panel. With 3 modules (A+B+C): 81,7 mm. Material, ABS, self-extinguishing: UL 94 V-0.

Protection degree, front: IP65, NEMA4x, NEM12. Screw terminals: IP20.

ITALIANO

Uscite relè (M O R2). Uscite fisiche, 2 (max. un modulo per strumento). Utilizzo, uscite allarmi o impulsì. Relè, tipo SPDT. CA 1-5A @ 250VCA; CA 15-1,5A @ 250VCA CC; 12-5A @ 24VCC; CC 13-1,5A @ 24VCC. Configurazione, mediante tastiera frontale. Funzione, l'uscita può funzionare come uscita allarme ma anche come uscita impulsì, controllo remoto o in qualsiasi altra combinazione. Allarme in salita, allarme in discesa associate agli allarmi virtuali. Tempo min di risposta ≤200ms, filtro escluso. Ritardo all'attivazione: "0 s". Impulsì, ritrasmissione segnale totale: +kWh, -kWh, +kvarh, -kvarh. Parziale: +kWh, -kWh, +kvarh, -kvarh. La lista di variabili può essere associata ad ogni uscita. Durata impulso programmabile da 0,001 a 10,00 kWh/kvarh per impulso. ≥100ms <120msec (ON), ≥120ms (OFF), secondo EN62052-31. Controllo remoto, l'attivazione delle uscite è gestita mediante la porta seriale di comunicazione.

Uscite statiche (M O O2). Tipo Opto-Mosfett. Uscite fisiche 2 (max. un modulo per strumento). Utilizzo, uscita allarme o impulsì. Segnale VON: 2,5VCA/CC/máx.100mA. VOFF: 260VCA/CC max. Configurazione, mediante tastiera frontale. Funzione: l'uscita può funzionare come uscita allarme ma anche come uscita impulsì, controllo remoto o in qualsiasi altra combinazione. Allarme in salita, allarme in discesa associate agli allarmi virtuali. Tempo min risposta: ≤200ms, filtro escluso. Ritardo all'attivazione: "0 s". Impulsì: ritrasmissione segnale totale +kWh, -kWh, +kvarh, -kvarh. Parziale +kWh, -kWh, +kvarh, -kvarh. La lista di variabili può essere associata ad ogni uscita. Durata impulso, programmabile da 0,001 a 10,00 kWh/kvarh per impulso. ≥100ms <120msec (ON), ≥120ms (OFF), secondo EN62052-31. Controllo remoto: l'attivazione delle uscite è gestita mediante la porta seriale di comunicazione.

Uscita analogica 20mA (M O A2). Numero di uscite 2 (max. un modulo per strumento). Precisione (@ 25°C ±5°C, R.H. ≤60%) ±0,2%FS. Campo da 0 a 20mA. Configurazione, mediante tastiera frontale. Ritrasmissione segnale, il segnale d'uscita può essere associato ad ogni variabile istantanea disponibile. Fattore di scala programmabile all'interno di tutto il campo di ritrasmissione; permette la gestione della ritrasmissione di tutti i valori da 0 a 20 mA. Tempo di risposta ≤400 ms tipico (filtro escluso). Ripple ≤1% (secondo IEC 60688-1, EN 60688-1). Deriva termica totale ≤500 ppm/°C. Carico ≥10kΩ.

10VDC analogue outputs (M O V2). Numero di uscite 2 (max. un modulo per strumento). Precisione (@ 25°C ±5°C, R.H. ≤60%) 0,2%FS. Campo da 0 a 10VCC. Configurazione mediante tastiera frontale. Ritrasmissione segnale: il segnale d'uscita può essere associato ad ogni variabile istantanea disponibile. Fattore di scala programmabile all'interno di tutto il campo di ritrasmissione; permette la gestione della ritrasmissione di tutti i valori da 0 a 10VCC. Tempo di risposta ≤400 ms tipico (filtro escluso). Ripple ≤1% (secondo IEC 60688-1, EN 60688-1). Deriva termica totale ≤500 ppm/°C. Carico ≥10kΩ.

Porta RS485/RS422 (a richiesta). Tipo: Multidrop, bidirezionale. Connessione 2 fili. Distanza massima 1000m, terminazione direttamente sullo strumento. Protocolli: MODBUS (247 indirizzi selezionabili dalla tastiera frontale); BACnet MS/TP (numero istanza selezionabile mediante software). Formato dati: 1 bit di start, 8 bit di dati, nessuna parità, 1 bit di stop. Velocità di comunicazione selezionabile: 9,6k, 19,2k, 38,4k, 115,2k bit/s. Dispositivi in rete 1/5 unit load. Massimo 160 dispositivi nella stessa rete.

Porta RS232 (a richiesta). Tipo: bidirezionale. Connessioni 3 fili. Distanza max. 15m. Protocollo MODBUS RTU /JBUS. Formato dati: 1 bit di start, 8 bit di dati, nessuna parità, 1 bit di stop. Velocità di comunicazione selezionabile: 9,6k, 19,2k, 38,4k, 115,2k bit/s. Dispositivi in rete 1/5 unit load. Massimo 160 dispositivi nella stessa rete.

Porta Ethernet/Internet (a richiesta). Protocollo Modbus TCP/IP. Configurazione IP: IP statico / Netmask / Gateway di default. Porta selezionabile (default 502). Connessioni utente Max 5 simultanei. Connessioni RJ45 10/100 BaseTX. Distanza max 100m.

BACnet-IP (a richiesta). Protocollo BACnet-IP (per la lettura delle misure) e Modbus TCP/IP (per la programmazione dei parametri, numero istanza selezionabile mediante software). Configurazione IP: IP statico / Netmask / Gateway di default: Porta BACnet-IP. Fisso: BAC0h. Porta Modbus selezionabile (default 502). Connessioni utenti, solo Modbus: max 5 simultanei. Connessioni: RJ45 10/100 BaseTX. Distanza max 100m.

Temperatura di funzionamento da -25°C a +55°C (da -13°F a 131°F) (U.R. da 0 a 90% senza condensa @ 40°C) secondo EN62053-21 e EN62053-23. **Temperatura di immagazzinamento** da -30°C a +70°C (da -22°F a 140°F) (U.R. < 90% senza condensa @ 40°C) secondo EN62053-21 e EN62053-23. **Categoria di installazione**: Cat. III (IEC60664, EN60664). **Isolamento (per 1 minuto)** 4000 VRMS tra ingressi di misura ed alimentazione. 4000 VRMS tra alimentazione e RS485/uscita digitali. **Rigidità dielettrica** 4000 VRMS per 1 minuto. **Reiezione** CMRR 100 dB, da 48 a 62 Hz. **EMC** secondo EN62052-11. Scariche elettrostatiche 15kV scarica in aria; Immunità campi elettromagnetici irradianti, provato con corrente applicata: 10V/m da 80 a 2000MHz; provato senza corrente applicata: 30V/m da 80 a 2000MHz. Immunità ai transistori veloci, sui circuiti degli ingressi di misura in corrente e tensione: 4kV. Immunità ai radiodisturbi condotti: 10V/m da 150KHz a 80MHz. Immunità ad impulso, sui circuiti degli ingressi di misura in corrente e tensione: 4kV; sull'alimentazione "L": 1kV. Emissioni in radiofrequenza: secondo CISPR 22. **Conformità alle norme**: sicurezza IEC60664, IEC61010-1 EN60664, EN61010-1 EN62052-11. Metrologia: EN62053-21, EN50470-3, EN62053-23. Uscita impulsiva DIN43864, IEC62053-31. Approvazioni: CE, cULus listed. **Connessioni**: a vite. Sezione del cavo: max. 2,5 mm2. Coppia min./max serraggio: 0,4 Nm / 0,8 Nm. Consigliata: 0,5 Nm. **Custodia**: dimensioni (LxAxP). Moduli tipo "A" e "B": 89,5x63x16mm. Modulo tipo "C": 89,5x63x20mm. Ingombro massimo dietro il pannello Con 3 moduli (A+B+C): 81,7 mm. Materiale: nylon PA66, autoestinguenza: UL 94 V-0. Montaggio a pannello. **Grado di protezione**: frontale: IP65, NEMA4x, NEM12. Morsetti: IP20.

DEUTSCH

Relaisausgängen (M O R2). Physisch Ausgänge 2 (max. 1 Modul pro Netzwerk). Funktionsbereich: für Alarm- oder Impulsausgang. Typ Relais, SPDT Typ AC 1-5A bei 250VAC; AC 15-1,5A bei 250VAC DC 12-5A bei 24VDC; DC 13-1,5A bei 24VDC. Konfiguration: Durch die vordere Tastatur: Funktion Die Ausgänge können als Alarmausgänge benutzt werden, aber auch als Impulsausgänge, ferngesteuerte Ausgänge oder in jeder anderen beliebigen Kombination. Alarm: Überschreitung, Unterschreitung verbunden mit virtuellem Alarm, für weitere Einzelheiten siehe Virtuelle Alarme. Min. Ansprechzeit: ≤200ms, (ohne Filter) und Einstellung der Einschalt-zeitverzögerung: "0 s". Impuls Signalweiterübertragung, Gesamt: +kWh, -kWh, +kvarh, -kvarh. Partiiell : +kWh, -kWh, +kvarh, -kvarh. Impulstyp, Die oben aufgelisteten Variablen können mit jedem beliebigen Ausgang verbunden werden. Impulsdauer Programmierbar von 0.001 bis 10,00 kWh/kvarh per Impuls. ≥100ms <120msec (ON), ≥120ms (OFF), gemäß EN62052-31. Ausgägngefernsteuerung Die Aktivierung der Ausgänge wird gehandhabt durch serielle schnittstelle.

Statikausgänge (M O O2). Typ: Opto-Mos. Physisch Ausgänge 2 (max. 1 Modul pro Netzwerk). Funktionsbereich, Für Alarm- oder Impulsausgang. Signal, VON:2.5VAC/DC/máx.100mA. VOFF: 260VAC/DC max. Konfiguration au moyen de clavier avant. Fonction: Die Ausgänge können als Alarmausgänge benutzt werden, aber auch als Impulsausgänge, ferngesteuerte Ausgänge oder in jeder anderen beliebigen Kombination. Alarm: Überschreitung, Unterschreitung verbunden mit virtuellem Alarm, für weitere Einzelheiten siehe Virtuelle Alarme. Min. Ansprechzeit ≤200ms, (ohne Filter) und Einstellung der Einschalt-zeitverzögerung: "0 s". Impuls: Signalweiterübertragung. Gesamt: +kWh, -kWh, +kvarh, -kvarh. Partiiell: +kWh, -kWh, +kvarh, -kvarh. Impulstyp: Die oben aufgelisteten Variablen können mit jedem beliebigen Ausgang verbunden werden. Impulsdauer: Programmierbar von 0,001 bis 10,00 kWh/kvarh per Impuls. ≥100ms < 120msec (ON), ≥120ms (OFF), gemäß EN62052-31. Ausgägngefernsteuerung, Die Aktivierung der Ausgänge wird gehandhabt durch serielle schnittstelle.

20mA Analogue Ausgänge (M O A2). Anzahl der Ausgänge 2 (max. 1 Modul pro Netzwerk). Genauigkeit (bei 25°C ±5°C, R.F. ≤60%) ±0,2%BE. Bereich: 0 bis 20mA. Konfiguration, Durch die vordere Tastatur. Signalweiterübertragung: Der Signalausgang kann mit einer beliebigen unmittelbaren Variable. Skalierungsfaktor: Programmierbar innerhalb des gesamten Bereichs der Weiterübertragung; gestattet die Verwaltung der Weiterübertragung aller Werte von 0 bis 20 mAADC. Ansprechzeit ≤400 ms typisch (ohne Filter). Wellenstrom: ≤1% (gemäß IEC 60688-1, EN 60688-1). Temperaturdrift insgesamt: ≤500 ppm/°C. Last: ≤600Ω.

10VDC Analogue Ausgänge (M O V2). Anzahl der Ausgänge 2 (max. 1 Modul pro Netzwerk). Genauigkeit (bei 25°C ±5°C, R.F. ≤60%): ±0,2%BE. Bereich: 0 bis 10 VDC. Konfiguration: Durch die vordere Tastatur. Signalweiterübertragung: Der Signalausgang kann mit einer beliebigen unmittelbaren Variable. Skalierungsfaktor: Programmierbar innerhalb des gesamten Bereichs der Weiterübertragung; gestattet die Verwaltung der Weiterübertragung aller Werte von 0 bis 10VDC. Ansprechzeit: ≤400 ms typisch (ohne Filter). Welligkeit (Rippel): ≤1% (gemäß IEC 60688-1, EN 60688-1). Temperaturdrift insgesamt: ≤500 ppm/°C. Last: ≥10kΩ.

Schnittstelle RS485/RS422 (auf Anfrage). Typ: Multidrop, Bidirektional . Anschlüsse: 2-Leiter. Max. Entfernung 1000m, Abschluss direkt am Modul. Protokolle: MODBUS/JBUS (RTU). Protokolle: MODBUS (247 wählbar über die vordere Tastatur); BACnet MS/TP (Instanz-Anzahl wählbar über die Programmiersoftware). Datenformat: 1-Startbit, 8-Datenbits, keine Parität/gerade Parität, ungerade Parität, 1 Stopppbit, Übertragungsgeschwindigkeitk. Wählbar: 9,6k, 19,2k, 38,4k, 115,2k bit/s. Treiber Eingangsimpetanz 1/5 Leistungsaufnahme Maximal Geräte 160 am gleichen Bus.

Schnittstelle RS232 (auf Anfrage). Typ: Bidirektional. Anschlüsse: 3-Leiter. Max. Entfernung 15m. Protokoll: MODBUS RTU /JBUS. Datenformat: 1-Startbit, 8-Datenbits, keine Parität/gerade Parität, ungerade Parität, 1 Stopppbit, Übertragungsgeschwindigkeit. Wählbar: 9,6k, 19,2k, 38,4k, 115,2k bit/s.

Ethernet/Internet Schnittstelle (auf Anfrage). Protokoll: Modbus TCP/IP. IP Konfiguration: Statisch IP / Netzmaske / Standard-Gateway. Schnittstelle: Wählbar (Standard 502). Client Verbindung: Max 5 gleichzeitig. Anschlüsse: RJ45 10/100 BaseTX. Max. Entfernung 100m.

BACnet-IP (auf Anfrage). Protokoll: BACnet-IP (für Messunganzeige) und Modbus TCP/IP (für Parameterprogrammierung, Instanz-Anzahl wählbar über die Programmiersoftware). IP Konfiguration: Statisch IP / Netzmaske / Standard-Gateway. Schnittstelle: BACnet-IP. Fest: BAC0h. Modbus Schnittstelle: Wählbar (Standard 502). Client Verbindung: nur Modbus: Max 5 gleichzeitig. Anschlüsse: RJ45 10/100 BaseTX. Max. Entfernung 100m.

Betriebstemperatur -25°C bis +55°C (-13°F bis 131°F) (R.F. von 0 bis 90% nicht kondensierend bei 40°C) gemäß EN62053-21, EN50470-1 und EN62053-23. **Lagertemperatur**: -30°C bis +70°C (-22°F bis 158°F) (R.F. < 90% nicht kondensierend bei 40°C) gemäß EN62053-21, EN50470-1 und EN62053-23. **Installationskategorie**: Kat. III (IEC60664, EN60664). **Durchschlagfestigkeit**: 4kVAC RMS für 1 Minute. **Rauschdrückungsverhältnis**: GTUUV 100 dB, 48 bis 62 Hz. **EMC**: According to EN62052-11. Elektrostatische Entladungen: 15kV air discharge; Strahlungsimmunität: Test mit angelegten Strom: 10V/m von 80 bis 2000MHz; Elektromagnetfeld. Test ohne angelegten Strom: 30V/m von 80 bis 2000MHz; Ladungsimpuls: Am Strom- und Eingangsspannungsmesskreis: 4kV. Leiterstörungsimmunität: 10V/m von 150KHz bis 80MHz. Überspannungsfestigkeit: Strom- und Eingangsspannungsmesskreis: 4kV; an „L“ Hilfsstromversorgungseingang: 1kV; Störausstrahlung Gemäß CISPR 22. **Standardkonformität**: Sicherheit: IEC60664, IEC61010-1 EN60664, EN61010-1 EN62052-11. Messungen: EN62053-21, EN62053-23, EN50470-3. MID "Anhang MI-003". Impulsausgang: DIN43864, IEC62053-31. Zulassungen: CE, cULus "Listed". **Anschlüsse**: Schraubklemmen, Kabelquerschnitt: 2,5 mm2. Min./Max. Anzungsmoment: 0,4 Nm / 0,8 Nm. Empfohlene Anzungsmoment: 0,5 Nm. **Gehäuse DIN** Abmessungen (LxHxB): "A" und "B" Module: 89,5x63x16mm. "C" Module: 89,5x63x20mm. Max. Tiefe hinter der DIN-Schiene Mit 3 Modulen (A+B+C): 81,7 mm. Material ABS, selbstlöschend: UL 94 V-0. Montage: DIN-Schiene. **Schutzgrad**: Vorderseite, IP65, NEMA4x, NEM12. Schraubklemmen: IP20.

FRANÇAIS

Sortie relais (M O R2). Sorties physiques: 2 (max. un module par instrument). Objectif: pour sortie d'alarme ou sortie à impulsions. Type: Relais, type SPDT CA 1-5A @ 250VCA; CA 15-1,5A @ 250VAC. CC 12-5A @ 24VCC; CC 13-1,5A @ 24VCC. Configuration au moyen de clavier avant. Fonction: les sorties peuvent aussi fonctionner en tant que sorties d'alarme, sorties d'impulsion, sorties de contrôle à distance, ou d'autres combinaisons. Alarme: alarme max, alarme min relié aux alarmes virtuelles, d'autres détails voir Alarme virtuelles. Temps de réponse min. ≤200ms, filtre exclu. Point de réglage du délai on-time: "0 s". Impulsion: signal de retransmission Total: +kWh, -kWh, +kvarh, -kvarh. Partiel: +kWh, -kWh, +kvarh, -kvarh. Type d'impulsion: les variables mentionnées ci-dessus peuvent être connectées à n'importe quelle sortie. Durée d'impulsion: programmable de 0,001 à 10,00 kWh/kvarh par impulsion. ≥100ms <120msec (ON), ≥120ms (OFF), selon EN62052-31. Contrôle à distance: l'activation des sorties est gérée à travers le port série de communication.

Sortie statique (M O O2). Type Opto-Mos. Sorties physiques 2 (max. un module par instrument). Objectif: pour sortie d'alarme ou sortie à impulsions. Signal: VON: 2,5VCA/CC/máx.100mA. VOFF: 260VCA/CC max. Configuration au moyen de clavier avant. Fonction: les sorties peuvent aussi fonctionner en tant que sorties d'alarme, sorties d'impulsion, sorties de contrôle à distance, ou d'autres combinaisons. Alarme: alarme max, alarme min relié aux alarmes virtuelles, d'autres détails voir Alarme virtuelles. Temps de réponse min. ≤200ms, filtre exclu. Point de réglage du délai on-time: "0 s". Impulsion: signal de retransmission, Total: +kWh, -kWh, +kvarh, -kvarh. Partiel: +kWh, -kWh, +kvarh, -kvarh. Type d'impulsion: les variables mentionnées ci-dessus peuvent être connectées à n'importe quelle sortie. Durée d'impulsion: programmable de 0,001 à 10,00 kWh/kvarh par impulsion. ≥100ms < 120msec (ON), ≥120ms (OFF), selon EN62052-31. Contrôle à distance L'activation des sorties est gérée à travers le port série de communication.

Sorties analogiques 20mA (M O A2). Nombre de sorties 2 (max. un module par instrument). Précision (@ 25°C ±5°C, H.R. ≤60%): ±0,2% PE. Intervalle 0 à 20mA. Configuration au moyen de clavier avant. Signal de retransmission: la sortie du signal peut être connectée à n'importe quelle variable disponible. Facteur d'échelle: programmable dans toute la plage de retransmission ; il permet de gérer la retransmission de toute valeur à partir de 0 à 20 mAACC. Temps de réponse: ≤400 ms typique (filtre exclu). Ondulation: ≤1% (selon IEC 60688-1, EN 60688-1). Dérive de température totale ≤500 ppm/°C. Charge: ≤600Ω.

Sorties analogiques 10VCC (M O V2). Nombre de sorties: 2 (max. un module par instrument). Précision (@ 25°C ±5°C, H.R. ≤60%): ±0,2% PE. Intervalle 0 à 10 VDC. Configuration au moyen de clavier avant. Signal de retransmission: la sortie du signal peut être connectée à n'importe quelle variable disponible. Facteur d'échelle: programmable dans toute la plage de retransmission; il permet de gérer la retransmission de toute valeur à partir de 0 à 10VCC. Temps de réponse ≤400 ms typique (filtre exclu). Ripple (ondulation): ≤1% (selon IEC 60688-1, EN 60688-1). Dérive de température totale ≤500 ppm/°C. Charge: ≥10kΩ.

Port RS485/RS422 (sur demande). Type, circuit multipoints, bidirectionnel. Connexions: 2 câbles, Distance max 1000m, Raccordement directement sur le module. Protocoles: MODBUS/JBUS (RTU). Protocoles: MODBUS (247 à sélectionner au moyen du clavier avant); BACnet MS/TP (nombre d'instance sélectionnable par logiciel de programmation). Format de données: 1 bit de départ, 8 bits de données,pas de parité, parité paire, parité impaire, 1 bit de stop. Baud-rate: à sélectionner: 9,6k, 19,2k, 38,4k, 115,2k bit/s. Capacité entrée driver: 1/5 unités en charge. Maximum 160 emetteurs/ récepteurs sur le même bus.

Port RS232 (sur demande). Type bidirectionnel. Connexions: 3 câbles, distance max 15m. Protocole: MODBUS RTU/ JBUS. Format de données: 1 bit de départ, 8 bits de données,pas de parité, parité paire, parité impaire, 1 bit de stop. Baud-rate: à sélectionner: 9,6k, 19,2k, 38,4k, 115,2k bit/s.

Port Ethernet/Internet (sur demande). Protocole: Modbus TCP/IP. Configuration IP: IP statique / Netmask / Portail implicite. Port: à sélectionner (implicite 502). Connexions client Max. 5 simultanément. Connexions: RJ45 10/100 BaseTX. Distance max 100m.

BACnet-IP (sur demande). Protocole: BACnet-IP (pour la lecture de mesure) et Modbus TCP/IP (pour paramètre de programmation, nombre d'instance sélectionnable par logiciel de programmation). Configuration IP: IP statique / Netmask / Portail implicite Port BACnet-IP. Fixe: BAC0h. Port Modbus à sélectionner (implicite 502). Connexions client, seul. Modbus: Max. 5 simultanément. Connexions RJ45 10/100 BaseTX. Distance max.100m.

Température de fonctionnement -25°C à +55°C (-13°F à 131°F) (H.R. de 0 à 90% sans condensation @ 40°C) selon EN62053-21, EN50470-1 and EN62053-23. **Température de stockage** -30°C à +70°C (-22°F à 158°F) (H.R. < 90% sans condensation @ 40°C) selon EN62053-21, EN50470-1 and EN62053-23. **Catégorie d'installation** Cat. III (IEC60664, EN60664). **Tension diélectrique**: 4kVCA RMS pour 1 minute. **Émission de bruit** CMRR 100 dB, 48 à 62 Hz. **CEM**: selon EN62052-11. Décharges électrostatiques 15kV décharge atmosphérique. Immunité à l'irradiation: test avec courant: 10V/m de 80 à 2000MHz. Champs électromagnétiques: test sans aucun courant: 30V/m de 80 à 2000MHz. Transitoires: sur circuit d'entrées de mesure courant et tension: 4kV. Immunité aux bruits par conduction 10V/m de 150KHz à 80MHz. Surtestion: sur circuit d'entrées de mesure courant et tension: 4kV; sur entrée d'alimentation auxiliaire « L » : 1kV; suppression fréquence radio, selon CISPR 22. **Conformité aux standards**: sécurité IEC60664, IEC61010-1 EN60664, EN61010-1 EN62052-11. Métrologie: EN62053-21, EN62053-23, EN50470-3. MID "annexe MI-003". Sortie impulsion DIN43864, IEC62053-31. **Approbations**: CE, cULus "Listed". **Connexions**: À vis, Section de câbles max. 2,5 mm2. Min./Max. couple de serrage de vis: 0,4 Nm / 0,8 Nm. Couple de serrage de vis recommandé: 0,5Nm. **Boîtier DIN** Dimensions (LxHxD). Modules "A" et "B": 89,5x63x16mm.Modules"C": 89,5x63x20mm. Profondeur max. derrière le panneau. Avec 3 modules (A+B+C): 81,7 mm Matériau ABS, autoextinguible: UL 94 V-0. Montage: montage sur panneau. **Indice de protection**: face avant IP65, NEMA4x, NEM12. Terminaisons de vis IP20.

Salidas de relé (M O R2). Salidas físicas: 2 (máx. un módulo por equipo). Finalidad: Para salida de alarma o de pulso. Tipo: Relé, tipo SPDT CA 1-5A @ 250VCA; CA 15-1,5A @ 250VAC. CC 12-5A @ 24VCC; CC 13-1,5A @ 24VCC. Configuración: mediante teclado frontal. Función: las salidas pueden funcionar como salidas de alarma,pero también como salidas de pulso, salidas de control remoto o en cualquier otra combinación. Alarmas: alarma de máx., alarma de mín., vinculadas con alarmas virtuales, para más detalles véase: alarmas virtuales. Tiempo mín. respuesta: ≤200ms, filtro excluido. Retardo de activ. punto de consigna: "0s". Pulso: retransmisión de señal, Total: +kWh, -kWh, +kvarh, -kvarh. Parcial: +kWh, -kWh, +kvarh, -kvarh. Salidas de pulso: las anteriores variables pueden conectarse a cualquier salida. Duración del pulso: programable de 0,001 a 10,00 kWh/kvarh por pulso. ≥100ms <120ms (ON), ≥120ms (OFF), según norma EN62052-31. Control remoto: la activación de las salidas se gestiona mediante el puerto de comunicacón.

Salidas estáticas (M O O2). Tipo Opto-Mos. Salidas físicas: 2 (máx. un módulo por equipo). Finalidad: para salida de alarma o de pulso. Señal: VON: 2.5VCA/CC/máx.100mA. VOFF: 260VCA/CC máx. Configuración: mediante teclado frontal. Función: las salidas pueden funcionar también como salidas de alarma, como salidas de pulso, como salidas de control remoto, o en cualquier otra combinación. Alarmas: alarma de máx., alarma de mín., vinculadas con alarmas virtuales, para más detalles véase Alarmas virtuales. Tiempo mín. de respuesta: ≤200ms, filtro excluido. Retardo de activ. punto de consigna: "0s". Pulso: Retransmisión de señal: Total: +kWh, -kWh, +kvarh, -kvarh. Parcial: +kWh, -kWh, +kvarh, -kvarh. Salidas de pulso: las anteriores variables pueden conectarse a cualquier salida. Duración del pulso: programable de 0,001 a 10,00 kWh/kvarh por pulso. ≥100ms < 120ms (ON), ≥120ms (OFF), según norma EN62052-31. Control remoto: la activación de las salidas se gestiona mediante el puerto de comunicación.

Salidas analógicas 20mA (M O A2). Numero de salidas: 2 (máx. un módulo por equipo). Precisión (a 25°C ±5°C, H.R. ≤60%): ±0,2%f.e. Escala: 0 a 20mA. Configuración: mediante teclado frontal. Retransmisión de señal: la salida de la señal puede conectarse a cualquier variable instantánea disponible. Factor de escala: programable en toda la escala de retransmisión; permite controlar la retransmisión de todos los valores desde 0 a 20 mAACC. Tiempo de respuesta: ≤400 ms típico (filtro excluido). Ondulación: ≤1% (según normas IEC 60688-1, EN 60688-1). Variación total de temperatura: ≤500 ppm/°C. Carga: ≤600Ω.

Salidas analógicas 10VCC (M O V2). Numero de salidas: 2 (máx. un módulo por equipo). Precisión (a 25°C ±5°C, H.R. ≤60%): ±0,2%f.e. Escala: 0 a 10 VCC. Configuración: mediante el teclado frontal. Retransmisión de señal: la salida de la señal puede conectarse a cualquier variable instantánea disponible. Factor de escala: programable en toda la escala de retransmisión; permite controlar la retransmisión de todos los valores desde 0 a 10VCC. Tiempo de respuesta: ≤400 ms típico (filtro excluido). Rizado: ≤1% (según normas IEC 60688-1, EN 60688-1). Variación total de temperatura: ≤500 ppm/°C. Carga: ≥10kΩ.

Puerto RS485/RS422 (opcional). Tipo: multiterminal, bidireccional. Conexiones: 2 hilos. Distancia máx: 1000m, terminación directamente en el módulo. Protocoles: MODBUS/JBUS (RTU). Protocoles: MODBUS (247 seleccionable a través del teclado frontal); BACnet MS/TP (número de instancia seleccionable por software de programación). Formato de datos: 1 bit de arranque, 8 bit de datos, sin paridad, paridad par, paridad impar,1 bit de parada. Velocidad en baudios: seleccionable: 9,6k, 19,2k, 38,4k, 115,2k bit/s. Capacidad de entrada del driver; Carga unitaria, 1/5. Máximo:



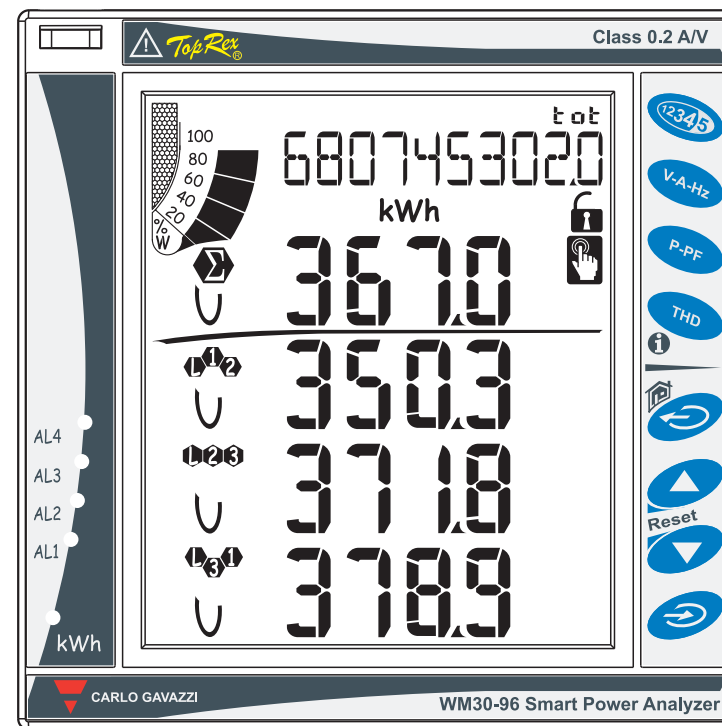
Manual de Instrucciones



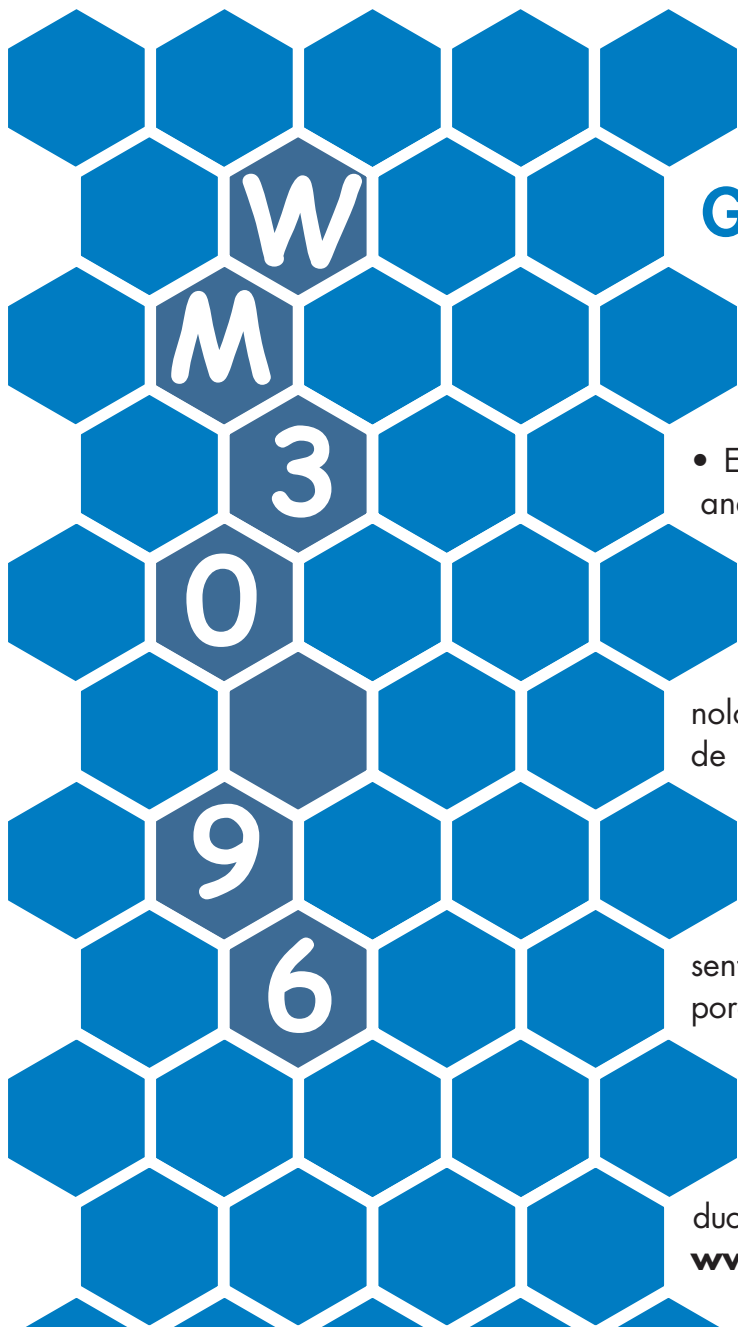
Display, Programación

Sistema Modular

Clase 0,2 A/V



Control



Gracias por elegir nuestros productos

WM30 96:

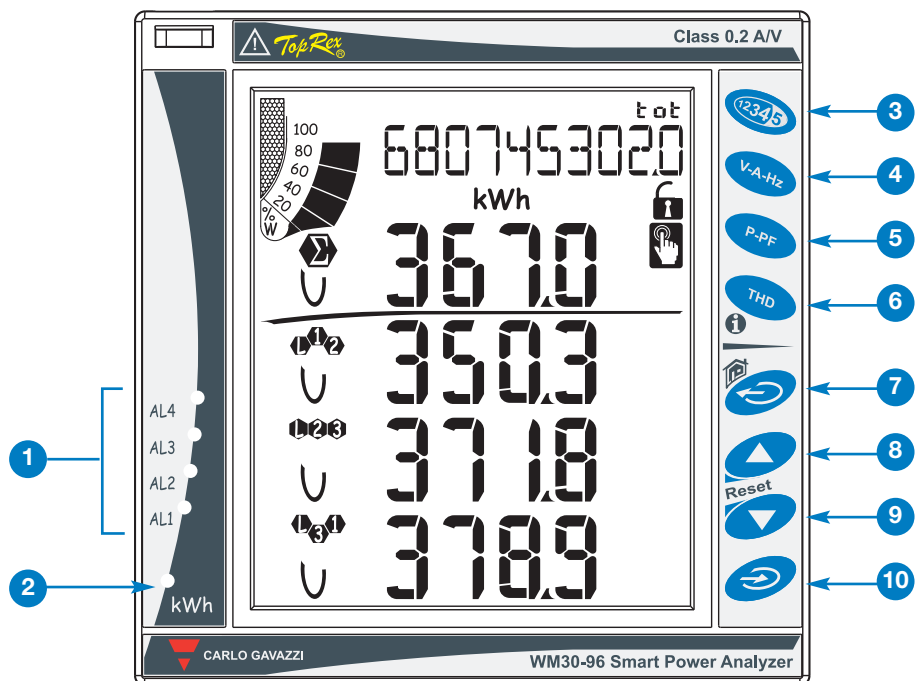
- Alta precisión (clase 0,2 A/V);
- Excelente capacidad de cálculo para un rápido análisis de las señales (análisis FFT de distorsión armónica, hasta armónico nº 32);
- Óptima capacidad de conexión.

El equipo WM30 96 es la última respuesta tecnológica a sus necesidades de análisis de calidad de la red.

Además, nuestra compañía cuenta con la certificación ISO9001/VISION 2000, una dilatada experiencia en este campo y una amplia representación en Europa y en todo el mundo. Todo esto porque deseamos ofrecer a nuestros clientes el mejor servicio y los mejores productos del mercado.

Bienvenido a Carlo Gavazzi. Le felicitamos por su acertada elección. Consulte nuestra gama de productos en la página web de CARLO GAVAZZI:

www.gavazzi-automation.com



DESCRIPCIÓN DEL INSTRUMENTO

- 1 Avisadores de alarmas virtuales activas.
- 2 Indicador de consumo de energía (kWh) en curso mediante destello proporcional a la energía medida (cuanto más alta es la frecuencia del destello, mayor es la energía consumida. Frecuencia máxima de 16Hz según la normativa EN5047-1).

El teclado está dividido en dos áreas, el área superior está dedicada a las medidas con acceso directo a las específicas páginas de visualización.

- 3 Visualización de las páginas de los contadores: a cada presión de la tecla corresponde la visualización de una página de los contadores de energía diferente (véase a continuación la tabla con las páginas de medida).
- 4 Visualización de la tensión, intensidad y frecuencia (véase a continuación la tabla con las páginas de medida).
- 5 Visualización del cosφ y de las potencias instantáneas (véase a continuación la tabla con las páginas de medida).
- 6 Visualización de armónicos (véase a continuación la tabla con las páginas de medida).

El teclado del área inferior está dirigido sobre todo a la programación del instrumento.

- 7 Salida de los submenús, salida de la programación.
- 8 Tecla “arriba”, permite el desplazamiento de los menús y el incremento de los valores a configurar.
- 9 Tecla “abajo”, permite el desplazamiento de los menús y la disminución de los valores a configurar.
- 10 Acceso al menú de programación: **mantenga pulsado al menos 2 segundos para acceder al menú de programación.**

En el modo de medida, las teclas 8 y 9 permiten la visualización de los valores MAX y dmd de las variables visualizadas.

Las teclas son sensibles al tacto. Para verificar su efectivo accionamiento a cada presión de cualquier tecla se enciende un icono en el display.

FUNCIONES ADICIONALES DE LAS TECLAS

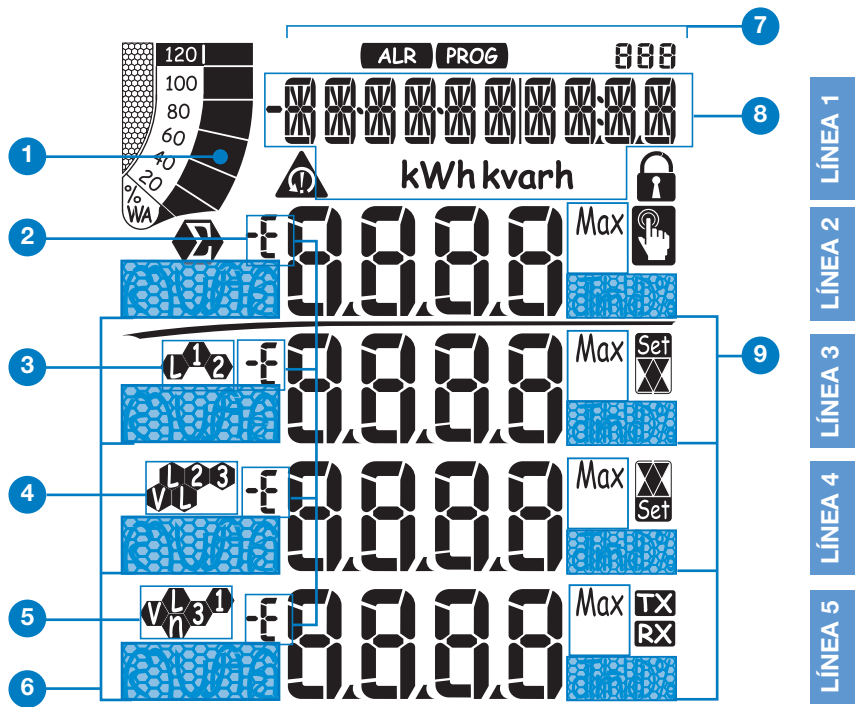
Las teclas marcadas por un doble icono tienen una doble función, para acceder a la función secundaria mantenga pulsada un largo rato la tecla correspondiente a la función deseada.

Acceso a las páginas de información del instrumento: normativas de referencia, versión del firmware, año de producción.

Tecla “Home” desde cualquier página de medida, desde cualquier menú se vuelve a la pantalla de inicio (que el usuario puede personalizar). **Si se está en el menú de programación no se guardarán los datos que eventualmente se han insertado.**

Manteniendo pulsada la tecla 8 se accede a la puesta a cero de los valores MAX de las variables visualizadas.
Manteniendo pulsada la tecla 9 se accede a puesta a cero de los valores dmd de las variables visualizadas.
La puesta a cero ha de confirmarse con la tecla 10.

Se recomienda activar las teclas con el dedo índice.



DESCRIPCIÓN DEL DISPLAY

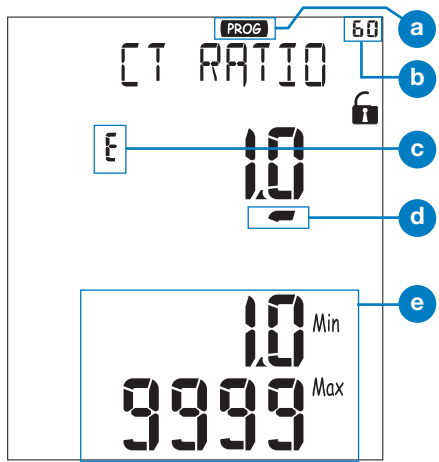
- 1** Barra gráfica que muestra la potencia activa y aparente consumida en relación con la potencia instalada.
- 2** Indicaciones de desfase inductivo L, -L, o capacitivo C, -C de la fase.
- 3** Indicación de la medida fase-neutro L1 o fase-fase L12.
- 4** Indicación de la medida fase-neutro L2 o fase-fase L23 o de la asimetría fase-fase VLL.
- 5** Indicación de la medida fase-neutro L3 o fase-fase L31 o de la asimetría fase-neutro VLn.
- 6** Indicación de la unidad de ingeniería y del multiplicador: k, M, V, W, A, var (VAr), PF (P_f), Hz, An.
- 7** ALR: está activada la función de visualización de las alarmas. PROG: está activada la función de programación.
- 8** Área dedicada a la visualización de los contadores y de los mensajes de texto, fecha y hora (formato: dd.mm.aa/hh:mm). Contadores de energía (véase la tabla de la página a continuación).
- 9** Indicación de: dmd, THD% o Máx.
- 10** Indica que todos los valores instantáneos visualizados son del sistema.
- 11** Alarma de error de secuencia de fase.
- 12** Programación del instrumento habilitada.
- 13** Programación del instrumento deshabilitada.
- 14** Transmisión (TX) y recepción (RX) de datos, a través de la comunicación de red, en curso.

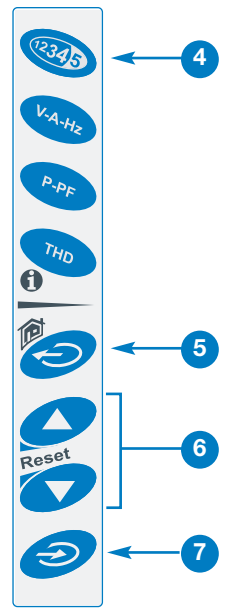
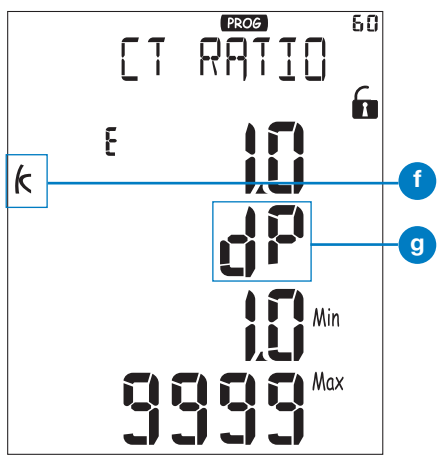
LOS ICONOS DEL DISPLAY



PUNTOS DE CONSIGNA DE ALARMA	
Alarma máx.	Alarma mín.

Nota: el visualizador está dotado de retroiluminación con tiempo de iluminación programable de 0 minutos (siempre encendido) a 255 minutos.

01

02

03

CÓMO AJUSTAR LOS VALORES

Con el WM30 el ajuste de los valores es todavía más sencillo, pudiendo aumentar o reducir cada uno de los dígitos y pudiendo obtener fácilmente el valor deseado o cambiarlo directamente de un múltiplo a otro. Ejemplo: uso del menú referente al ajuste de valores.

01 Durante la fase de programación el instrumento proporciona información de gran utilidad:

- a** reconocimiento del modo de programación;
- b** número de identificación del menú (ver también diagrama de flujo de programación);
- c** editar e identificar la línea que se va a ajustar;
- d** cursor que identifica el dígito que se va a ajustar;
- e** límite máximo y mínimo de la variable seleccionable.

02 Utilizar la tecla **6** para aumentar o reducir el dígito detectado por el cursor (**d**). Para ajustar otro dígito mover el cursor hasta el dígito deseado mediante la tecla **4**, cada pulsación de la tecla corresponde a un desplazamiento del cursor (**d**) hacia la izquierda.

03 Cuando se llega con el cursor (**d**) al último dígito a la izquierda, si se pulsa de nuevo la tecla **4** se puede cambiar el punto decimal y el multiplicador (**f**) (k o M), el texto "dP" (punto decimal) (**g**) parpadeando indica que el instrumento puede realizar esta función. Para modificar la posición del punto decimal y el multiplicador utilizar la tecla **6** para obtener el valor deseado.

Para confirmar el valor establecido pulsar la tecla **7**.
 Para cancelar la operación en curso y volver al estado inicial pulsar la tecla **5**.
 Para cancelar la operación en curso y volver a la página "Inicial" pulsar la tecla **5** manteniéndola pulsada como mínimo 2 segundos.

Selección	Descripción	Notas
A	Asignación de costes	Medición de energía consumida
B	Control de costes	Medición de energía consumida y parcial
C	Asignación compleja de costes	Medición de energía consumida y generada (total y parcial)
D	Solar	Medición de energía consumida y generada con funciones básicas de analizador de redes
E	Análisis complejo de costes y calidad de la red	Medición de energía consumida y generada (total y parcial) y analizadores de Red
F	Análisis de costes y calidad de la red	Energía consumida y analizadores de calidad de la Red
G	Análisis avanzado de energía y calidad de la red para generación de potencia	Análisis completo de contadores y de calidad de la red

NOTAS

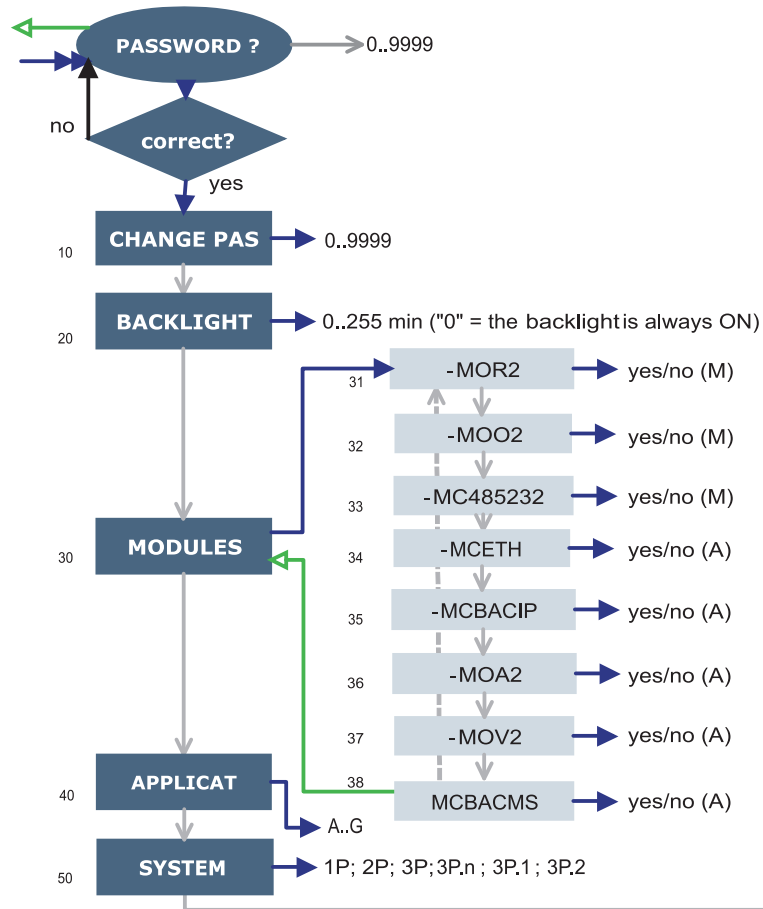
WM30-96 está dotado de la función “Easy-prog” que permite la inmediata visualización de manera sencilla, rápida y clara de las mediciones del instrumento poniendo disponibles sólo determinadas variables según sea la aplicación a la que el instrumento está dirigido. Las aplicaciones disponibles se mencionan arriba.

Para disfrutar de todo el potencial del instrumento seleccione la aplicación G, la cual le permitirá un completo y detallado análisis de la energía eléctrica.

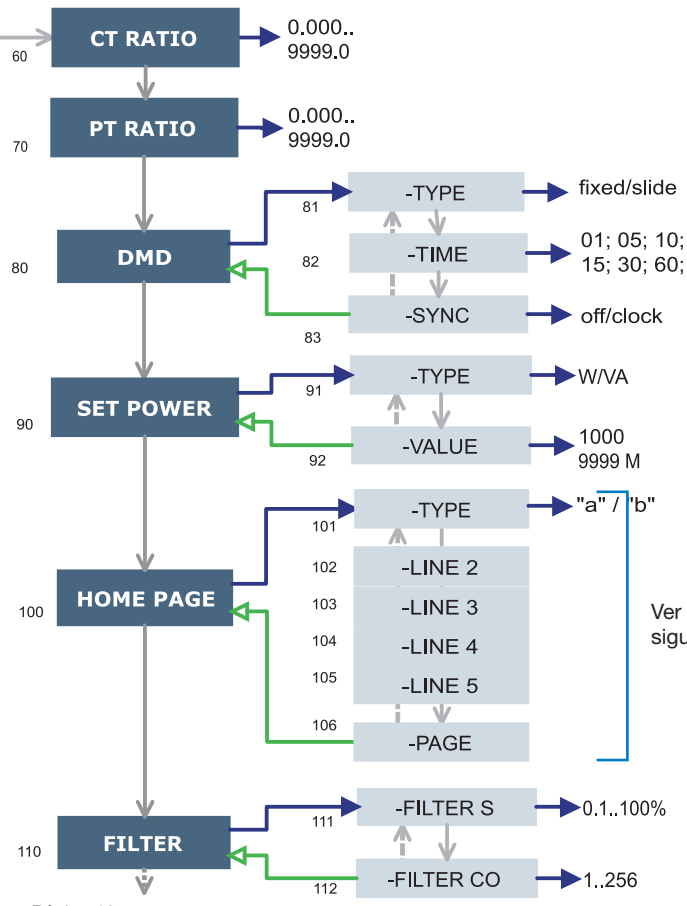
	N°	Línea 1	Línea 2	Línea 3	Línea 4	Línea 5	Nota	Aplicaciones											
								A	B	C	D	E	F	G					
	0	Pantalla de inicio	Programable						x	x	x	x	x	x	x	x			
	1	Total kWh (+)	Según la última página visualizada de variables instantáneas						x	x	x	x	x	x	x				
	2	Total kvarh (+)								x	x	x	x	x	x	x			
	3	Total kWh (-)										x	x	x			x		
	4	Total kvarh (-)										x	x	x			x		
	5	kWh (+) parc.											x	x		x	x	x	
	6	kvarh (+) parc.											x	x		x	x	x	
	7	kWh (-) parc.													x			x	
	8	kvarh (-) parc.													x		x		x
	9	Horas de funcionamiento (99999999.99)													x	x	x	x	x
	10	Sec. fase	VLN Σ	VL1	VL2	VL3					x	x	x	x					
	11	Sec. fase	VLN Σ	VL1-2	VL2-3	VL3-1					x	x	x	x					
	12	Sec. fase	An	AL1	AL2	AL3					x	x	x	x					
	13	Sec. fase	Hz	"ASY"	VLL sys (% asy)	VLL sys (% asy)					x	x	x	x					
	14	Sec. fase	VA Σ	VA L1	VA L2	VA L3						x	x	x					
	15	Sec. fase	var Σ	var L1	var L2	var L3						x	x	x					
	16	Sec. fase	W Σ	WL1	WL2	WL3					x	x	x	x					
	17	Sec. fase	PF Σ	PF L1	PF L2	PF L3						x	x	x					
	18	Sec. fase		THD V1	THD V2	THD V3							x	x					
	19	Sec. fase		THD V12	THD V23	THD V31							x	x					
	20	Sec. fase		THD A1	THD A2	THD A3						x	x						

No	Línea 1	Línea 2	Línea 3	Línea 4	Línea 5	Nota	Aplicaciones						
							A	B	C	D	E	F	G
1	Lot n. xxxx	Yr.xx (año)	rEL	A.01	1...60 (min) "dmd"		x	x	x	x	x	x	x
2	Conn. xxx.x (3ph.n/3ph/3ph./3ph.2/1ph/2ph)	CT.rA	1.0 ... 99.99k	Pt.rA	1.0...9999		x	x	x	x	x	x	x
3	LED PULSE kWh	0,001 a 1000 kWh por pulso					x	x	x	x	x	x	x
4	PULSE OUT1 kWh/kvarh	0,001 a 1000 kWh/kvarh por pulso	+/- tot/PAr				x	x	x	x	x	x	x
5	PULSE OUT2 kWh/kvarh	xxxx kWh/kvarh por pulso	+/- tot/PAr				x	x	x	x	x	x	x
6	REMOTE OUT	out1	on/oFF	Out2	on/oFF		x	x	x	x	x	x	x
i 7	AL1	variable	Set 1 (ajustar)	Set 2 (ajustar)	(measurement)				x	x	x	x	
8	AL2	variable	Set 1 (ajustar)	Set 2 (ajustar)	(measurement)				x	x	x	x	
9	AL3	variable	Set 1 (ajustar)	Set 2 (ajustar)	(measurement)				x	x	x	x	
10	AL4	variable	Set 1 (ajustar)	Set 2 (ajustar)	(measurement)				x	x	x	x	
11	ANALOGUE 1	Hi.E	0.0 ... 9999k	Hi.A	0.0 ... 100.0%				x	x	x	x	
12	ANALOGUE 2	Hi.E	0.0 ... 9999k	Hi.A	0.0 ... 100.0%				x	x	x	x	
13	COM PORT	Add XXX (añadir)	1...247	bdr	9.6/19.2/ 38.4/115.2		x	x	x	x	x	x	x
14	IP ADDRESS	XXX	XXX	XXX	XXX		x	x	x	x	x	x	x
15	XX•XX•XX XX:XX	dAtE (fecha)	tiME (hora)				x	x	x	x	x	x	x

Modo de medida



ATENCIÓN
Inserte o quite los módulos SÓLO si el WM30 NO está alimentado.



Teclado



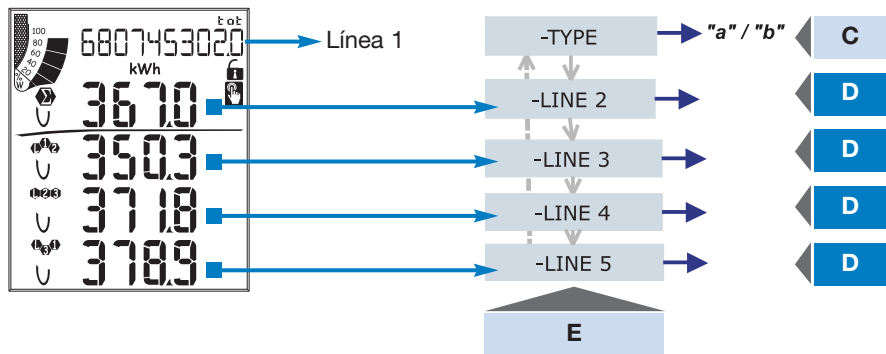
Ver detalles en la página siguiente.

NOTAS

10 CHANGE PAS: Esta función permite al usuario cambiar la clave por otra nueva (un código numérico de 0 a 9999).
20 BACKLIGHT: tiempo de duración de la retroiluminación de 0 (siempre encendido) a 255 minutos.
30 MODULES: el WM30 96 reconoce automática (A) y manualmente (M) los módulos instalados, en función del tipo de módulo.
40 APPLICAT: esta función permite la inmediata visualización de manera sencilla, rápida y clara de las mediciones del instrumento poniendo disponibles sólo determinadas variables (página 4/5) según sea la aplicación a la que el instrumento está dirigido.
50 SYSTEM: Esta función le permitirá seleccionar el tipo de sistema eléctrico.
60 CT RATIO: Esta función le permitirá seleccionar el valor de la relación del transformador de intensidad (CT) (relación primario/secundario del trafo de intensidad utilizado). Ejemplo: si el primario del transformador de intensidad utilizado tiene una intensidad de 300 A y el secundario una intensidad de 5 A, la relación del CT será 60 (valor resultante de: 300/5).
70 PT RATIO: Esta función le permitirá seleccionar el valor de la relación

VT-PT (relación primario/secundario del transformador de tensión utilizado). Ejemplo: si el primario del VT conectado (trafo de tensión/trafo de potencia) es 20 kV y el secundario 100 V, la relación del VT-PT será 200 (valor resultante de: 20000/100).
80 DMD: Esta función permite seleccionar el método de cálculo del valor medio de la variable seleccionada. 81 TYPE: seleccione el método de cálculo que vaya a utilizarse para calcular la Media (DMD/AVG), FIXED: por ejemplo, si se ajusta el intervalo de tiempo en 15 minutos, el instrumento calcula y actualiza el valor medio de la variable medida cada 15 minutos, después se pone a cero y comienza un nuevo cálculo. SLIDE: por ejemplo, si se ajusta el intervalo de tiempo en 15 minutos, el instrumento calcula el valor medio de la variable en los primeros 15 minutos y luego lo actualiza cada minuto, creando así una ventana de 15 minutos que luego se actualizará cada minuto. 82 TIME: seleccione el intervalo de tiempo para el cálculo de la MEDIA. 83 SYNC: Seleccione el modo de sincronización, que controla el cálculo de la MEDIA según el período de tiempo seleccionado.

90 SET POWER: Este menú le permitirá ajustar un valor de potencia (potencia instalada) que, en la fase de medida, representará el 100% del indicador gráfico. **100 HOME PAGE:** Esta función permite seleccionar las variables que serán visualizadas en la pantalla de inicio. 101 TYPE: A, se puede seleccionar una variable para cada línea. B, se puede seleccionar una combinación de variables preajustadas (más información en la siguiente página). 106 PAGE: seleccionar una combinación de variables preajustadas (más información en la siguiente página). **110 FILTER:** El filtro digital permite estabilizar aquellas medidas que sean muy inestables cuando se visualizan los valores medidos. 111 FILTER S: seleccione la escala operativa (intervalo) del filtro digital. El valor se expresa en forma de porcentaje % (filtro a 0.0 significa filtro excluido). 112 FILTER CO: seleccione el coeficiente de filtrado de las medidas instantáneas. Cuanto mayor sea su valor, mayor será la estabilidad y el tiempo de establecimiento de las medidas.
Algunos menús específicos se muestran sólo si los módulos a los que



Cómo personalizar la pantalla de inicio (home page) del WM30-96

Menú "101 TYPE":

"a", se puede seleccionar una variable del "sistema" por cada línea.

"b", se puede seleccionar una combinación de variables preajustadas que se muestra en la línea 2 (variable del sistema) y en las líneas 3 a 5 (variables de cada fase).

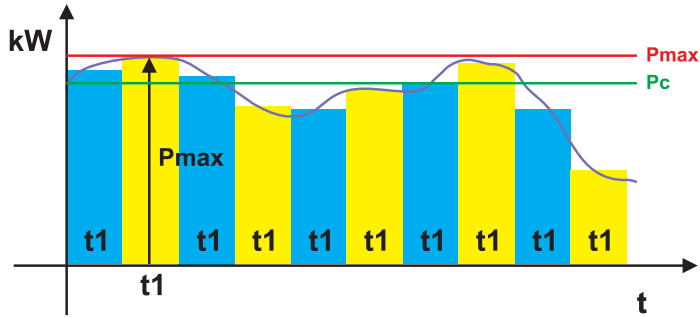
Además, las variables seleccionadas dependen del sistema eléctrico seleccionado. Si se ha seleccionado el sistema 1P (una fase), las variables disponibles son diferentes.

Nota: cuando se selecciona el tipo B, todas las selecciones A de la línea 3, 4 y 5 son irrelevantes.

E	C	D											
	Selección del Modelo	0	1	2	3	4	5	6	7	8	9	10	11
Línea 2	Tipo "a"	An	WΣ	varΣ	VAΣ	PFΣ	Hz	An	An	An	An	An	An
	Tipo "a" con Sistema 1P	V	A	W	var	VA	PF	Hz	V	V	V	V	V
	Tipo "b"	Seleccionar una de las combinaciones de variables preajustadas											
	Tipo "b" con Sistema 1P	Seleccionar una de las combinaciones de variables preajustadas											
Línea 3	Tipo "a"	An	WΣ	varΣ	VAΣ	PFΣ	Hz	An	An	An	An	An	An
	Tipo "a" con Sistema 1P	V	A	W	var	VA	PF	-	-	-	-	-	-
Línea 4	Tipo "a"	VL-LΣ	An	WΣ	varΣ	VAΣ	PFΣ	Hz	-	-	-	-	-
	Tipo "a" con Sistema 1P	V	A	W	var	VA	PF	Hz	-	-	-	-	-
Línea 5	Tipo "a"	VL-LΣ	An	WΣ	varΣ	VAΣ	PFΣ	Hz	-	-	-	-	-
	Tipo a con Sistema 1P	V	A	W	var	VA	PF	Hz	-	-	-	-	-

E	D											
	0	1	2	3	4	5	6	7	8	9	10	11
Línea 2	-	V LN Σ	V LN Σ	An	Hz	VA Σ	var Σ	W Σ	PF Σ	-	-	-
Línea 3	-	V L1	V L1-2	A L1	"ASY"	VA L1	var L1	W L1	PF L1	THD V1	THD V12	THD A1
Línea 4	-	V L2	V L2-3	A L2	VLL sys (% asy)	VA L2	var L2	W L2	PF L2	THD V2	THD V23	THD A2
Línea 5	-	V L3	V L3-1	A L3	VLL sys (% asy)	VA L3	var L3	W L3	PF L3	THD V3	THD V31	THD A3

E	D											
	0	1	2	3	4	5	6	7	8	9	10	11
Línea 2			V				VA				THD_V	
Línea 3			A				VAR				THD_A	
Línea 4			Hz				W				-	
Línea 5			-				PF				-	



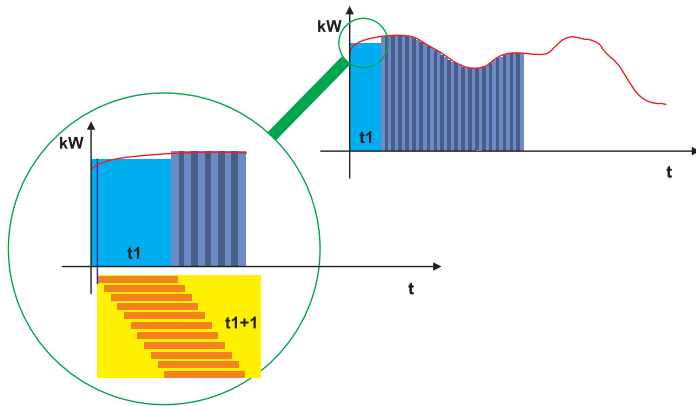
Donde:

Pmax es la potencia máxima

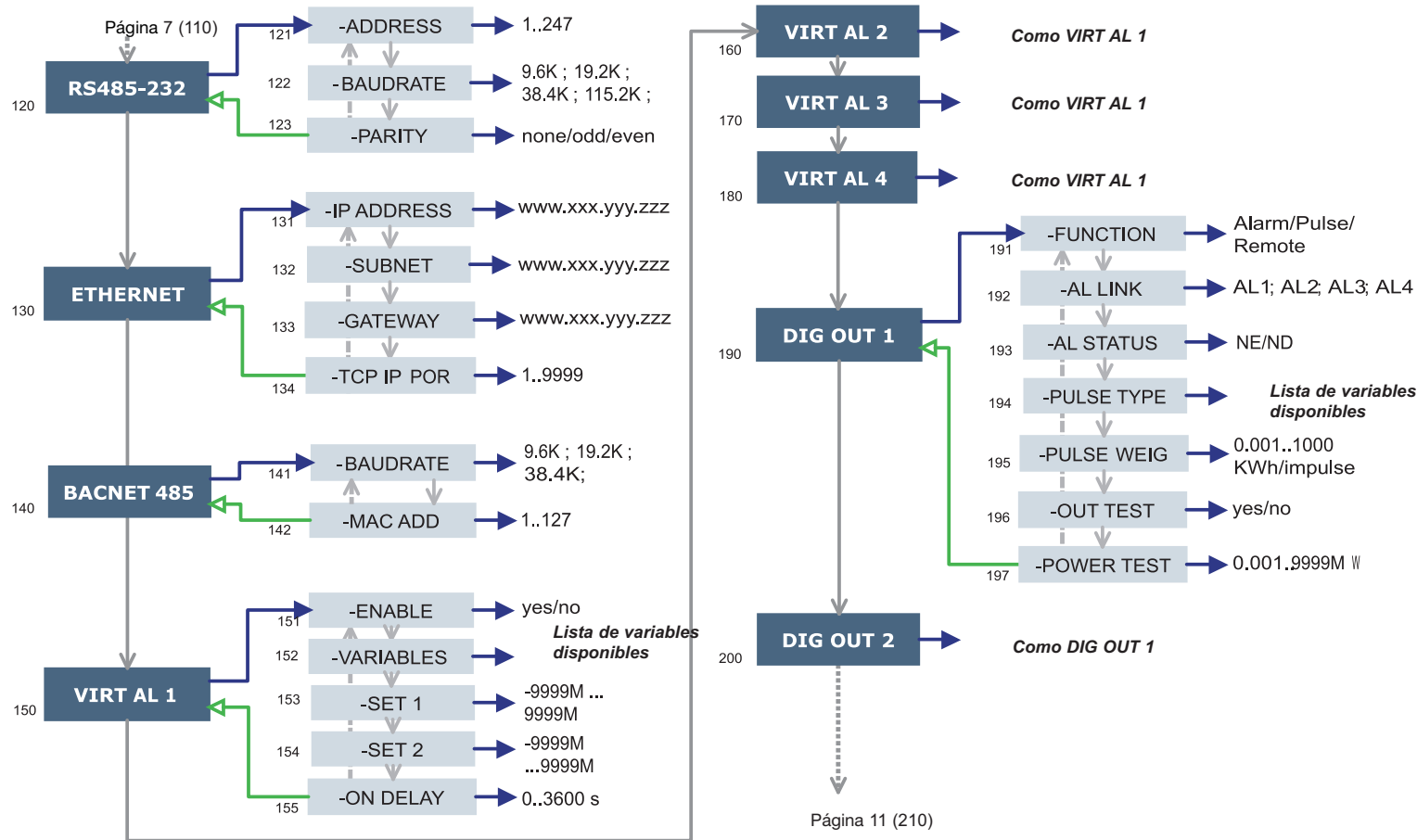
Pc es la potencia contratada

t1 es el período de tiempo seleccionado para calcular la Potencia Media

CÁLCULO DE LA POTENCIA MEDIA POR EL MÉTODO "FIXED" (referenciado): por ejemplo, si se ajusta el intervalo de tiempo en 15 minutos, el instrumento calcula y actualiza el valor medio de la variable medida cada 15 minutos, después se pone a cero y comienza un nuevo cálculo.



CÁLCULO DE LA POTENCIA MEDIA POR EL MÉTODO "SLIDE" (flotante): por ejemplo, si se ajusta el intervalo de tiempo en 15 minutos, el instrumento calcula el valor medio de la variable en los primeros 15 minutos y luego lo actualiza cada minuto, creando así una ventana de 15 minutos que luego se actualizará cada minuto.



Teclado



NOTAS

120 RS232-485: esta función permite al usuario ajustar los puertos de comunicación serie RS232 y RS485 (módulo MC232485).

130 ETHERNET: esta función permite al usuario ajustar el puerto de comunicación Ethernet. En el caso de puerto BACnet IP, el número de instancia BACnet se puede programar sólo mediante el software de programación WM3040Soft.

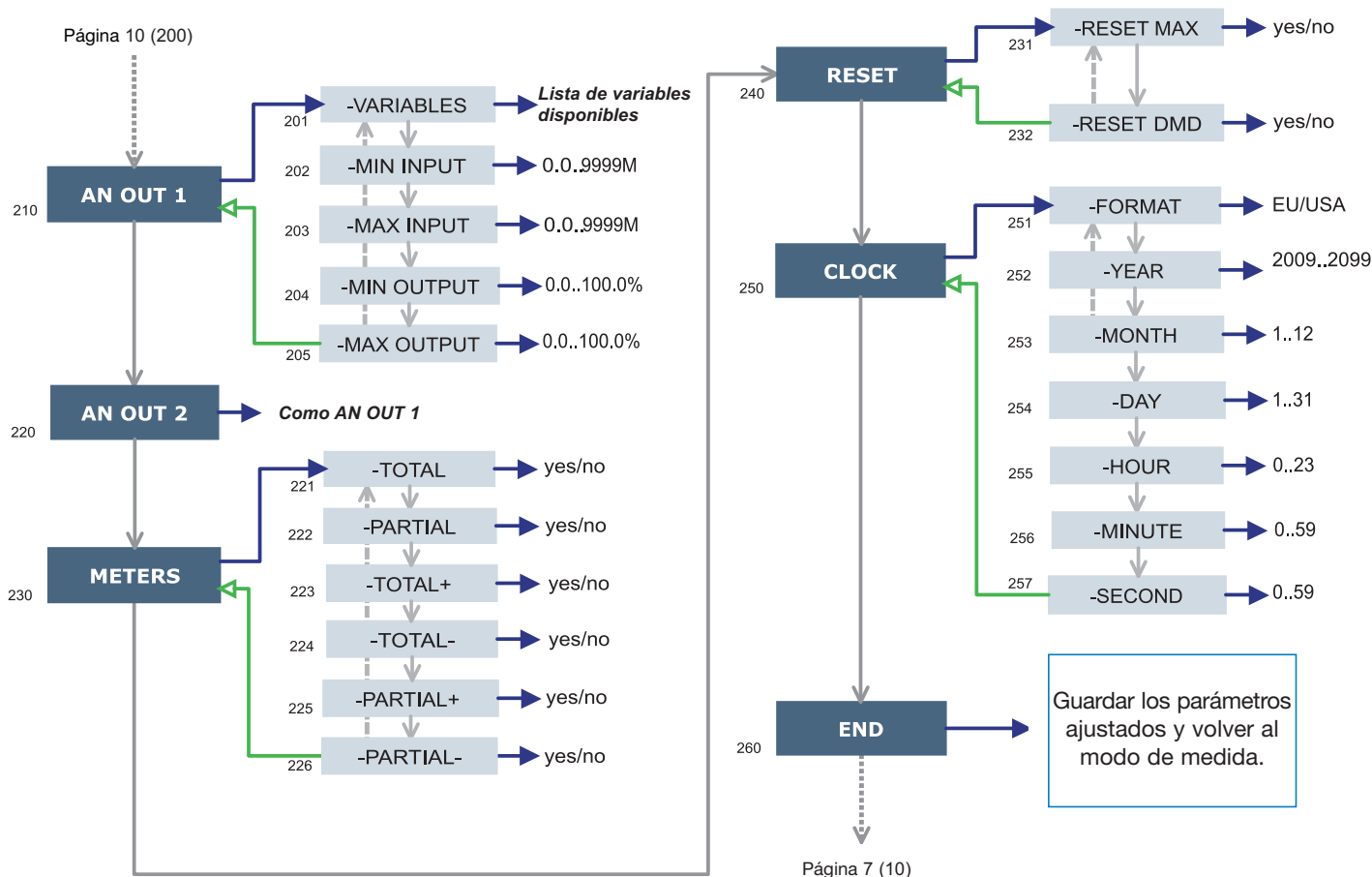
140 BACNET 485: esta función permite al usuario ajustar los parámetros BACnet MS/TP. El número de instancia BACnet se puede programar sólo mediante el software de programación WM3040Soft.

150 VIRT AL 1: Esta función permite ajustar los parámetros de alarma. 151 ENABLE: activa (YES) o desactiva (NO) la alarma. 152 VARIABLES: permite seleccionar la variable que estará conectada con la alarma. 153 SET 1: activa la alarma al alcanzar el punto de consigna de la variable. 154 SET 2: desactiva la alarma al alcanzar el punto de consigna de la variable. 155 ON DELAY: permite ajustar el retardo de activación de la alarma.

190 DIG OUT 1: Esta función permite conectar una alarma virtual a la salida digital y a sus parámetros en funcionamiento. 191 FUNCTION: *Alarm*,

la salida digital sólo se activará cuando se produzca el estado de alarma previsto. *Pulse*, la energía medida es transmitida a través de la salida digital por medio de pulsos. *Remote*, la salida digital puede ser activada mediante una orden enviada a través de un puerto de comunicación serie. 192 AL LINK: seleccione la alarma virtual a la que debe conectarse. 193 AL STATUS: seleccione luego "ND" (relé normalmente desactivado) o "NE" (relé normalmente activado). 194 PULSE TYPE: lista de variables disponibles. 195 PULSE WEIG: seleccione el valor del pulso (kWh por pulso). 196 OUT TEST: activar el TEST (YES), desactivar el TEST (NO). 197 POWER TEST: el valor de potencia simulado (kW) se corresponde a una secuencia de pulsos proporcional y basado en "PULSE WEIG": esta función está activa mientras se permanezca en este menú y se usa cuando la salida está conectada a un PLC.

Algunos menús específicos se muestran sólo si los módulos a los que pertenecen están instalados.


Teclado


Pulsar durante al menos 2s



Cambio de campo numérico

NOTAS

210 AN OUT 1: Este submenú permite programar las salidas analógicas (0-20mA, 0-10V). 211 VARIABLES: seleccione la variable que va a ser transmitida a través de la salida analógica. 212 MIN INPUT: valor mínimo de la escala de entrada de la variable al que se asociará el valor "MIN OUTPUT", transmitido por la salida analógica. 213 MAX INPUT: valor máximo de la escala de entrada de la variable al que se asociará el valor "MAX OUTPUT", transmitido por la salida analógica. 214 MIN OUTPUT: seleccione el valor expresado en % de la escala de salida (0-20mA, 0-10V) que será asociado al valor mínimo medido. 215 MAX OUTPUT: seleccione el valor expresado en % de la escala de salida (0-20mA, 0-10V) que será asociado al valor máximo medido.

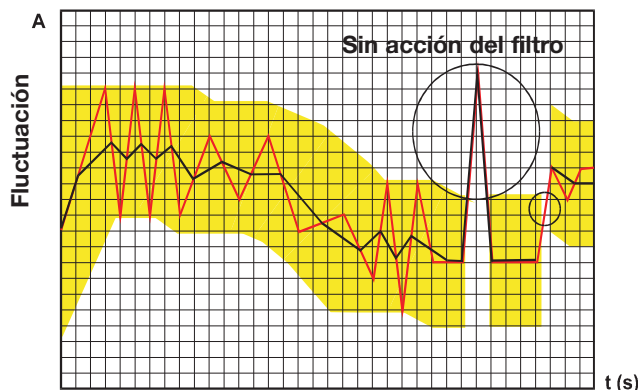
230 METERS: permite poner a cero los CONTADORES, pudiendo elegir entre las siguientes opciones: TOTAL, PARTIAL: pone a cero todos los contadores de energía, totales y parciales. TOTAL +: pone a cero los con-

tadores de energía total consumida. TOTAL -: pone a cero los contadores de energía total generada. PARTIAL +: pone a cero los contadores de energía parcial consumida. PARTIAL -: pone a cero los contadores de energía parcial generada.

240 RESET: pone a cero los valores MAX o dmd almacenados.

250 CLOCK, 251 FORMAT: UE, permite ajustar la hora en formato europeo de 24h (00:00) y USA para ajustar la hora en formato americano de 12 h (12:00 AM/PM). 252 YEAR: para ajustar el año actual. 253 MONTH: para ajustar el mes actual. 254 DAY: para ajustar el día actual. 255 HOUR: para ajustar la hora actual. 256 minute: para ajustar los minutos actuales. 257 SECOND: para ajustar los segundos actuales

Algunos menús específicos se muestran sólo si los módulos a los que pertenecen están instalados.



EJEMPLOS DE PROGRAMACIÓN DEL FILTRO DIGITAL

Ejemplo 1

Se quiere estabilizar el valor de la variable visualizada VL-N, que fluctúa entre 222V y 228V.

Los parámetros del filtro digital deberán ser programados del modo siguiente:

FILTER S: la variable fluctúa en torno al valor medio, con una oscilación igual a $\pm 0,75\%$ del valor nominal del fondo de escala de la variable (obtenido mediante el siguiente cálculo: $(228-222)/2 = \pm 3V$, luego $\pm 3 \cdot 100/400V = \pm 0,75\%$, donde 400V es el valor nominal fase-neutro de una entrada AV5). El parámetro "escala" (range), que representa la escala operativa del filtro digital, deberá ajustarse en un valor ligeramente más alto que el porcentaje de oscilación permitido: por ej. 1,0%.

FILTER CO: si el nuevo valor obtenido por el instrumento está dentro de la escala operativa del filtro, el nuevo valor visualizado se obtendrá sumando algebraicamente el valor previo a la variación dividida por el coeficiente de filtrado. Por tanto, al aumentar el valor de este coeficiente, se incrementará también el tiempo de establecimiento y la estabilidad. Para conseguir unos resultados óptimos, ajustar el coeficiente de filtrado en un valor igual a 10 veces el valor del parámetro de la escala. En el ejemplo siguiente: $1,0 \cdot 10 = 10$, para aumentar la estabilidad del coeficiente de filtrado, incrementar el coeficiente de filtrado (valores permitidos: los comprendidos entre 1 y 255).

¿CÓMO AFECTA A LA MEDICIÓN LOS PARÁMETROS DEL FILTRO DIGITAL?

El primer parámetro del filtro es FILTER S y define la escala operativa del filtro. Esta escala está representada con una banda amarilla en el diagrama de la izquierda (cada cuadrado representa un dígito). El filtro está activo hasta que el valor medido (curva roja en el diagrama) esté dentro de esta banda. En cuanto el valor está fuera de la banda, el filtro se desactiva y otra banda se activará en torno al valor nuevo.

Se sugiere consultar el valor de la fluctuación (en dígitos) y usar este valor para ajustar este parámetro.

El segundo parámetro es FILTER CO y representa el coeficiente de filtrado. Cuanto mayor es FILTER CO, más suave es la curva de los valores visualizados (curva negra en el diagrama). No hay una regla teórica para definir este parámetro, debe ajustarse en campo: sin embargo, una sugerencia podría ser comenzar con el mismo valor del coeficiente de FILTER S e ir incrementándolo hasta que se alcance la estabilidad deseada.

El filtro digital afecta a los valores transmitidos a través del puerto de comunicación serie y a través de la salida analógica.

Ejemplo 2

Se quiere estabilizar el valor de la Potencia Activa del Sistema (W_{Σ}), que oscila entre 300kW y 320kW (la carga se conecta al instrumento mediante un trafo de intensidad de 300/5A y una medida directa de la tensión).

Los parámetros del filtro digital deberán ser programados del modo siguiente:

FILTER S: la variable fluctúa en torno al valor medio, con una oscilación igual a $\pm 2,78\%$ del valor nominal del fondo de escala de esta variable. Este valor resulta del siguiente cálculo: $(320-300)/2 = \pm 10kW$, luego $\pm 10 \cdot 100/360kW = \pm 2,78\%$, donde 360kW es el valor nominal de la Potencia Activa del Sistema de una entrada AV5, con las relaciones arriba indicadas del Trafo de intensidad (CT) y del Trafo de tensión (VT), y que resultan del siguiente cálculo: " $V_{LN} \cdot V_T \cdot I_N \cdot CT \cdot 3$ " donde V_{LN} = tensión nominal de entrada (400V para la entrada AV5), V_T = relación primario/secundario del trafo de tensión utilizado, I_N = intensidad nominal (5A para el tipo de entrada AV5), CT = relación primario/secundario del trafo de intensidad utilizado (en este ejemplo " $400 \cdot 1 \cdot 5 \cdot 60 \cdot 3 = 360kW$).

El parámetro (RANGE), que representa la escala operativa del filtro digital deberá ser ajustado en un valor ligeramente más alto que el porcentaje de oscilación permitido: por ej. 3,0%.

FILTER CO: si el nuevo valor obtenido por el instrumento está dentro de la escala operativa del filtro, el nuevo valor visualizado se obtendrá sumando algebraicamente el valor previo a la variación dividida por el coeficiente de filtrado. Por tanto, al aumentar el valor de este coeficiente, se incrementará también el tiempo de establecimiento y la estabilidad. Para conseguir unos resultados óptimos, ajustar el coeficiente de filtrado en un valor igual a 10 veces el valor del parámetro de la escala. En este ejemplo: $3,0 \cdot 10 = 30$, para aumentar la estabilidad del coeficiente de filtrado, incrementar el coeficiente de filtrado (valores permitidos: los comprendidos entre 1 y 255).

Ejemplo 3

Se quiere estabilizar el valor de la variable visualizada AL 1 (intensidad de fase 1), que fluctúa entre 470A y 486A.

Para poder gestionar el funcionamiento de la alarma y la consiguiente activación y desactivación del relé, este valor no deberá estar sujeto a continuas fluctuaciones. En este ejemplo, hemos considerado el uso de un Trafo de intensidad de 500/5A.

Los parámetros del filtro digital se programarán del modo siguiente:

FILTER S: la variable fluctúa en torno al valor medio, con una oscilación igual a $\pm 1,60\%$ del valor nominal del fondo de escala de esta variable (obtenido mediante el siguiente cálculo: $(486-470)/2 = \pm 8A$, luego $\pm 8 \cdot 100/500A = \pm 1,60\%$, donde 500A es el valor correspondiente al primario del Trafo utilizado). El parámetro "escala" (range), que representa la escala operativa del filtro digital, deberá ajustarse en un valor ligeramente más alto que el porcentaje de oscilación permitido: por ej. 2,0%.

FILTER CO: si el nuevo valor obtenido por el instrumento está dentro de la escala operativa del filtro, el nuevo valor visualizado se obtendrá sumando algebraicamente el valor previo a la variación dividida por el coeficiente de filtrado. Por tanto, al aumentar el valor de este coeficiente, se incrementará también el tiempo de establecimiento y la estabilidad. Para conseguir unos resultados óptimos, ajustar el coeficiente de filtrado en un valor igual a 10 veces el valor del parámetro de la escala. En este ejemplo: $2,0 \cdot 10 = 20$, para aumentar la estabilidad del coeficiente de filtrado, incrementar el coeficiente de filtrado (valores permitidos: los comprendidos entre 1 y 255).

EJEMPLOS DE PROGRAMACIÓN DE SALIDAS ANALÓGICAS**Transmisión de la energía a través de una salida analógica de 0-20 mA.**

Se quiere medir una potencia consumida de hasta 100kW y transmitir este valor a través de una señal de 4 a 20 mA: se utilizará el módulo MOV2 (2 de 0 a 20 mA) y el instrumento se programará del modo siguiente:

VARIABLE: W_{Σ} (potencia activa del sistema)

MIN OUT: (salida mínima): 20,0% equivale a 4 mA, el cálculo se realizará así: $(100 \times \text{salida mínima}) / \text{salida fondo escala} = 100 \times 4 \text{ mA} / 20 \text{ mA} = 20\%$.

MAX OUT: (salida máxima): 100,0% equivale a 20 mA, el cálculo se realizará así: $(100 \times \text{salida máxima}) / \text{salida fondo escala} = 100 \times 20 \text{ mA} / 20 \text{ mA} = 100\%$.

MIN INPUT: (entrada mínima): 0,0k; los múltiplos k, M, G pueden ser seleccionados en el instrumento según los valores seleccionados de VT y CT.

MAX INPUT: (entrada máxima): 100,0k; los múltiplos k, M, G pueden ser seleccionados en el instrumento según los valores seleccionados de VT y CT.

Transmisión del FACTOR DE POTENCIA (PF) a través de una salida analógica de 0-20 mA

Se quiere transmitir la escala completa de los valores permitidos para el PF con una señal de 0 a 20 mA. Tenga en cuenta que el valor de la variable puede variar entre C0,001 y L0,000 (en cada fase): estos valores, al ser transmitidos, se convierten en señales de 0 a 20 mA. Cuando el PF tiene un valor igual a 1, que está en el medio entre los valores C0,001 y L0,000, el valor de la salida corresponderá al centro de la escala, o sea a 10 mA. Por consiguiente, el instrumento se programará del modo siguiente:

VARIABLE: PF L1 (o L2 o L3 o PF_{Σ}).

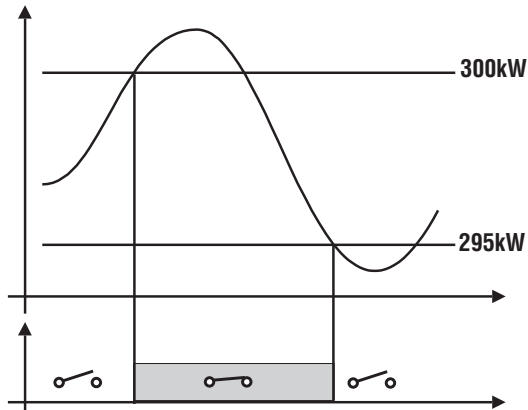
MIN OUT: 0,0%.

MAX OUT: 100,0%.

MIN INPUT: C0,001 (el símbolo C indica un valor CAPACITIVO).

MAX INPUT: L0,001 (el símbolo L indica un valor INDUCTIVO). L0,001 ha sido elegido como el valor mínimo para evitar activaciones no deseadas en la salida.

EJEMPLOS DE PROGRAMACIÓN DE PARÁMETROS DE ALARMA



Para desconectar una carga cuando se requiere una potencia preseleccionada. Por ejemplo, si se quiere que al superar los 300kW se produzca una alarma y se desconecte la carga a la potencia preseleccionada, se debe seleccionar una alarma de máximo (UP). Esta sería la programación recomendada:

ENABLE: Sí

VARIABLES: W del sistema (W·)

SET POINT 1: 300kW

SET POINT 2: 295kW

ON DELAY: Si se requiere un Retardo de activación de la alarma, ajustar el retardo en segundos: "5 segundos".



W

M

3

0

9

6

www.gavazzi-automation.com

Control

**Instruction Manual
Base Instrument**

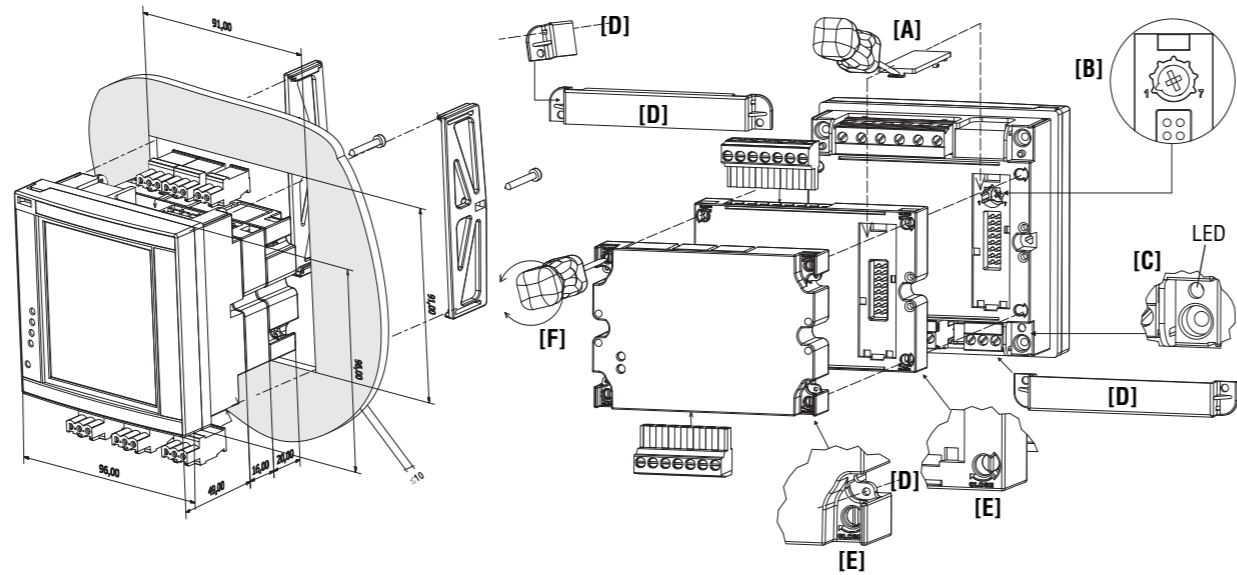
Thank you
for choosing our products.

Grazie
per aver scelto i nostri prodotti.

Wir danken
Ihnen dafür, dass Sie unsere
Produkte gewählt haben.

Gracias
por elegir nuestros productos.

Merci
d'avoir choisi nos produits.



ENGLISH

Read carefully the instruction manual. If the instrument is used in a manner not specified by the producer, the protection provided by the instrument may be impaired. **Maintenance:** make sure that the connections are correctly carried out in order to avoid any malfunctioning or damage to the instrument. To keep the instrument clean, use a slightly damp cloth; do not use any abrasives or solvents. We recommend to disconnect the instrument before cleaning it.



WARNING: to make sure that the screw tightening torque is 0.5Nm. ALL THE MOUNTING AND DISASSEMBLY OPERATIONS OF THE INSTRUMENT AND MODULES HAVE TO OCCUR WHEN POWER SUPPLY AND THE LOADS ARE NOT CONNECTED.

Preliminary operations: if necessary remove the protection cover of the contacts [A], using a properly screwdriver.

Lock the programming and LED of power supply on: to lock the acces to the programming of the instrument turning (clockwise) the rotary switch [B] to position 7. To unlock the programming come-back the rotary switch to the position 1. The green LED [C] on warns that the instrument is power supplied.

The instrument and modules sealing: to lock the modules turning (clockwise) the properly fixing elements on the corners [E], using a properly screw-driver [F]. To seal the instrument use the dedicated covers and holes [D].

WIRING DIAGRAMS

- [1] 3-ph, 2-wire, balanced load, 1-CT connection.
- [2] 3-ph, 2-wire, balanced load, 1-CT and 1-VT/PT connections
- [3] 3-ph, 4-wire, unbalanced load, 3-CT connection
- [4] 3-ph, 3-wire, balanced load, 1-CT and 3-VT/PT connections
- [5] 3-ph, 4-wire, unbalanced load, 3-CT and 3-VT/PT connections
- [6] 3-ph, 3-wire, unbalanced load, 3-CT connection
- [7] 3-ph, 3-wire unbalanced load, 3-CT and 2-VT/PT connections
- [8] 3-ph, 3-wire, balanced load, 1-CT connections
- [9] 3-ph, 3-wire, unbalanced load, 2-CT connections (ARON)
- [10] 3-ph, 3-wire, balanced load, 1-CT and 2-VT/PT connections
- [11] 2-ph, 3-wire, 2-CT connection
- [12] 2-ph, 3-wire, 2-CT and 2-VT/PT connections
- [13] 1-ph, 2-wire, 1-CT connection
- [14] 1-ph, 2-wire, 1-CT and 1-VT connections
- [15] 3-ph, 3-wire, unbalanced load, 2-CT and 2-VT/PT connections ARON
- [16] Power supply 90 to 260VAC/DC. F=250V [T] 630mA.
Power supply 18 to 60VAC/DC. F=250V [T] 3.15A.

ITALIANO

Leggere attentamente il manuale di istruzioni. Qualora l'apparecchio venisse adoperato in un modo non specificato dal costruttore, la protezione prevista dall'apparecchio potrebbe essere compromessa. **Manutenzione:** Per mantenerne pulito lo strumento usare un panno inumidito; non usare abrasivi o solventi. Si consiglia di scollegare lo strumento prima di eseguire la pulizia.



ATTENZIONE: assicurarsi che la coppia di serraggio applicata alle viti dei morsetti sia di: 0,5Nm. TUTTE LE OPERAZIONI DI MONTAGGIO E SMONTAGGIO DELLO STRUMENTO E DEI MODULI VANNO ESEGUITE CON ALIMENTAZIONE E CARICO SCOLLEGATI.

Operazione preliminare: smontare, se necessario, la finestra di protezione

dei contatti [A], utilizzando un apposito cacciavite a taglio.
Blocco della programmazione e LED di presenza alimentazione: per bloccare la programmazione dello strumento agire (ruotandolo in senso orario) sul commutatore rotante [B] portandolo nella posizione 7, per sbloccare la programmazione portarlo nella posizione 1. Il LED verde acceso [C] avvisa che lo strumento è alimentato.
Sigillatura dei moduli e dello strumento: per bloccare i moduli agire (ruotandoli in senso orario) sugli appositi elementi di fissaggio posti agli angoli dei moduli stessi [E], utilizzando un adeguato cacciavite a taglio [F]. Il sigillo va apposto utilizzando i fori e i copri morsetti dedicati [D].

COLLEGAMENTI ELETTRICI

- [1] 3 fasi, 2 fili, carico equilibrato, connessione con 1 TA
- [2] 3 fasi, 2 fili, carico equilibrato, connessione con 1TA e 1 VT
- [3] 3 fasi, 4 fili, carico squilibrato, connessione con 3 TA
- [4] 3 fasi, 3 fili, carico equilibrato, connessione con 1 TA e 3 VT
- [5] 3 fasi, 4 fili, carico squilibrato, connessione con 3 TA e 3 VT
- [6] 3 fasi, 3 fili, carico squilibrato, connessione con 3 TA
- [7] 3 fasi, 3 fili, carico squilibrato, connessione con 3 TA e 2 VT
- [8] 3 fasi, 3 fili, carico equilibrato, connessione con 1 TA
- [9] 3 fasi, 3 fili, carico squilibrato, connessione con 2 TV (ARON)
- [10] 3 fasi, 3 fili, carico equilibrato, connessione con 1 TA e 2 VT
- [11] 2 fasi, 3 fili, connessioni con 2 TA
- [12] 2 fasi, 3 fili, connessioni con 2 TA e 2 VT
- [13] 1 fase, 2 fili, connessione con 1TA
- [14] 1 fase, 2 fili, connessione con 1 TA e 1 VT
- [15] 3 fasi, 3 fili, carico squilibrato, connessione con 2 TA e 2 TV (ARON)
- [16] Alimentazione da 90 a 260VCA/CC. F=250V [T] 630mA.
Alimentazione da 18 a 60VCA/CC. F=250V [T] 3.15A.

DEUTSCH



Die Betriebsanleitung aufmerksam lesen. Sollte das Gerät nicht gemäss der Herstellerangaben verwendet werden, könnte der vom Gerät vorgesehene Schutz beeinträchtigt werden.

Wartung: Das Gerät mit einem feuchten Tuch reinigen; keine Scheuer- oder Lösemittel verwenden. Das Gerät vor der Reinigung ausschalten

ACHTUNG: Darauf achten, dass das Anzugsmoment der Klemmschrauben 0,5Nm beträgt. SOWOHL BEI DER MONTAGE, ALS AUCH BEIM AUSBAU DES GERÄTES UND DER MODULE MÜSSEN STROMVERSORGUNG UND STROMLAST STETS VORHER ABGETRENNT WERDEN.

Vorbereitung: Gegebenenfalls das Schutzfenster der Kontakte [A] mit einem Schlitzschraubenzieher entfernen.

Programmierungssperre und LED Stromversorgung vorhanden: Um die Programmierung des Gerätes zu sperren, den Drehschalter [B] im Uhrzeigersinn auf Position 7 drehen, für die erneute Freigabe auf Position 1. Das Leuchten der grünen LED [C] zeigt an, dass das Gerät mit Strom versorgt wird.

Versiegelung der Module und des Geräts: Die Befestigung der Module erfolgt (durch Drehen derselben im Uhrzeigersinn) über die an den Ecken vorgesehenen Befestigungselemente [E], mit Hilfe eines passenden Schlitzschraubenziehers [F]. Das Siegel wird über die hierfür vorgesehenen Löcher und Klemmendeckel [D] angebracht.

ELEKTRISCHE ANSCHLÜSSE

- [1] 3 Phasen, 2 Adern, symmetrische Last, Anschluss mit 1 TA

- [2] 3 Phasen, 2 Adern, symmetrische Last, Anschluss mit 1 TA und 1 VT
- [3] 3 Phasen, 4 Adern, unsymmetrische Last, Anschluss mit 3 TA
- [4] 3 Phasen, 3 Adern, symmetrische Last, Anschluss mit 1 TA und 3 VT
- [5] 3 Phasen, 4 Adern, unsymmetrische Last, Anschluss mit 3 TA und 3 VT
- [6] 3 Phasen, 3 Adern, unsymmetrische Last, Anschluss mit 3 TA
- [7] 3 Phasen, 3 Adern, unsymmetrische Last, Anschluss mit 3 TA und 2 VT
- [8] 3 Phasen, 3 Adern, symmetrische Last, Anschluss mit 1 TA
- [9] 3 Phasen, 3 Adern, unsymmetrische Last, Anschluss mit 2 TV (ARON)
- [10] 3 Phasen, 3 Adern, symmetrische Last, Anschluss mit 1 TA und 2 VT
- [11] 2 Phasen, 3 Adern, Anschlüsse mit 2 TA
- [12] 2 Phasen, 3 Adern, Anschlüsse mit 2 TA und 2 VT
- [13] 1 Phase, 2 Adern, Anschluss mit 1 TA
- [14] 1 Phase, 2 Adern, Anschluss mit 1 TA und 1 VT
- [15] 3 Phasen, 3 Adern, unsymmetrische Last, Anschluss mit 2 TA und 2 TV (ARON)
- [16] Stromversorgung von 90 bis 260 VAC/DC. F=250V [T] 630mA.
Stromversorgung von 18 bis 60 VAC/DC. F=250V [T] 3.15A.

FRANÇAIS



Lire attentivement le manuel de l'utilisateur. Si l'appareil est utilisé dans des conditions différentes de celles spécifiées par le fabricant, le niveau de protection prévu par l'instrument peut être compromis.

Entretien: Pour nettoyer l'instrument, utiliser un chiffon humide; ne pas utiliser d'abrasifs ou de solvants. Il faut déconnecter le dispositif avant de procéder au nettoyage.

ATTENTION: s'assurer que le couple de serrage appliqué aux vis des bornes soit de : 0,5Nm. POUR TOUTES LES OPERATIONS DE MONTAGE ET DÉMONTAGE DE L'INSTRUMENT ET DES MODULES IL FAUT QUE L'ALIMENTATION ET LA CHARGE SOIENT DÉBRANCHÉES.

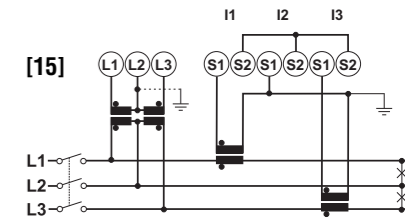
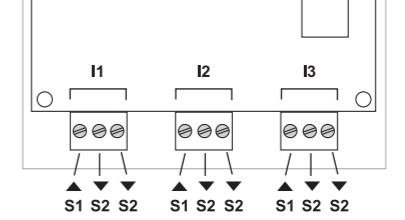
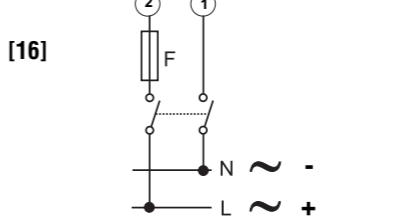
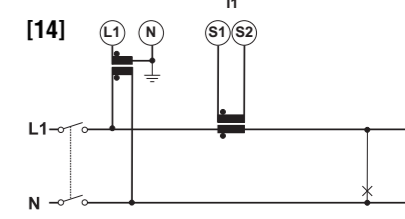
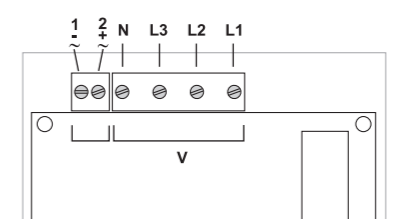
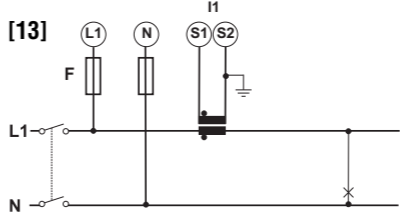
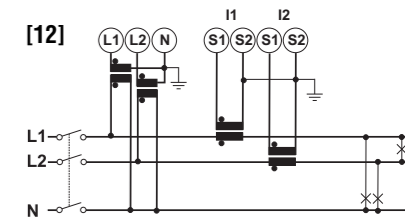
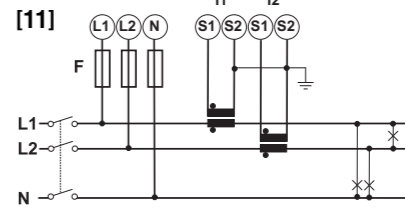
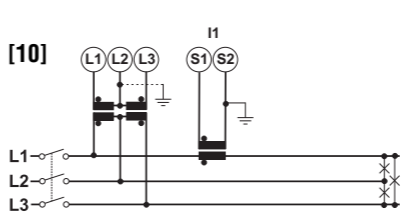
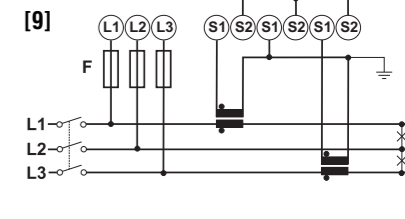
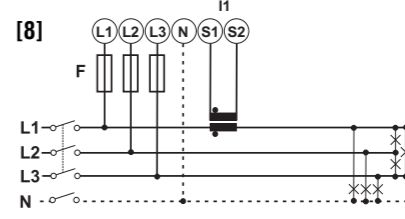
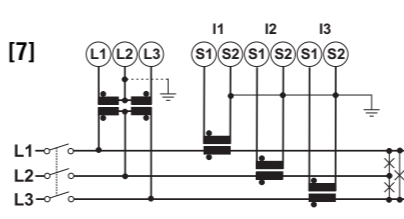
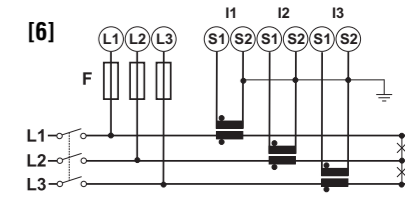
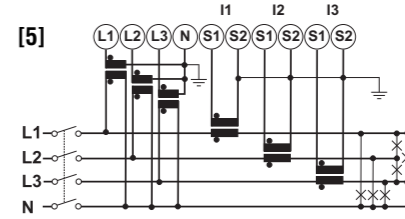
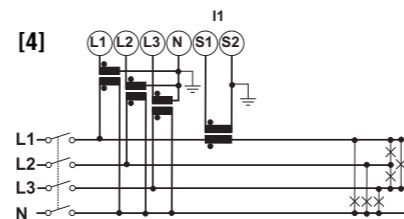
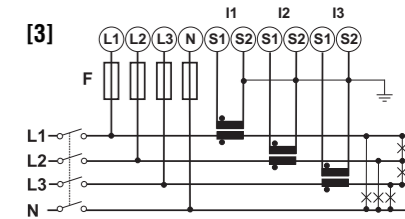
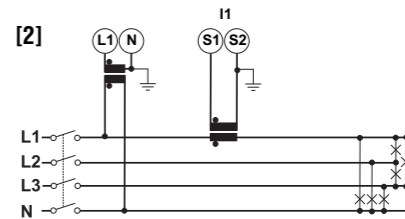
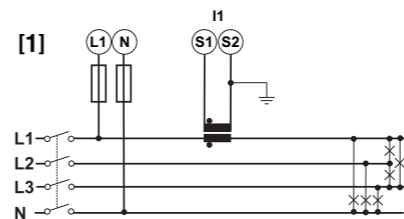
Opération préliminaire: démonter, si nécessaire, la fenêtre de protection des contacts [A], en utilisant un tournevis plat approprié.

Bloqueo de la programación y LED para la presencia d'alimentación: pour bloquer la programmation de l'instrument, agir (en le tournant dans le sens des aiguilles d'une montre) sur le commutateur rotatif [B] en le mettant sur la position 7, pour débloquent la programmation, le mettre sur la position 1. Le LED vert allumé [C] signale que l'instrument est alimenté.

Sceller les modules et l'instrument: pour bloquer les modules, agir (en les tournant dans le sens des aiguilles d'une montre) sur les éléments de fixation prévus à cet effet, situés aux angles des modules mêmes [E], en utilisant un tournevis plat adéquat [F]. Le sceau doit être posé en utilisant les trous et les couvre-bornes prévus pour à cet effet [D].

BRANCHEMENTS ÉLECTRIQUES

- [1] 3 phases, 2 fils, charge équilibrée, connexion avec 1 TA
- [2] 3 phases, 2 fils, charge équilibrée, connexion avec 1TA et 1 VT
- [3] 3 phases, 4 fils, charge déséquilibrée, connexion avec 3 TA
- [4] 3 phases, 3 fils, charge équilibrée, connexion avec 1 TA et 3 VT
- [5] 3 phases, 4 fils, charge déséquilibrée, connexion avec 3 TA et 3 VT
- [6] 3 phases, 3 fils, charge déséquilibrée, connexion avec 3 TA
- [7] 3 phases, 3 fils, charge déséquilibrée, connexion avec 3 TA et 2 VT
- [8] 3 phases, 3 fils, charge équilibrée, connexion avec 1 TA
- [9] 3 phases, 3 fils, charge déséquilibrée, connexion avec 2 TV (ARON)
- [10] 3 phases, 3 fils, charge équilibrée, connexion avec 1 TA et 2 VT
- [11] 2 phases, 3 fils, connexions avec 2 TA
- [12] 2 phases, 3 fils, connexions avec 2 TA et 2 VT



ESPAÑOL



Lea atentamente el manual de instrucciones. Si el instrumento se usa de modo distinto al indicado por el fabricante, la protección de seguridad ofrecida por el instrumento podrá resultar dañada. **Mantenimiento:** para limpiar el equipo utilizar siempre un trapo ligeramente humedecido, nunca productos abrasivos o disolventes. Se recomienda desconectar siempre el instrumento antes de limpiarlo.

ATENCIÓN: asegúrese de que el par de apriete aplicado a los tornillos sea de: 0,5Nm. TODAS LAS OPERACIONES DE MONTAJE Y DESMONTAJE DEL INSTRUMENTO Y DE LOS MÓDULOS DEBE REALIZARSE CON LA ALIMENTACIÓN Y LA CARGA DESCONECTADAS.

Operación preliminar: desmonte, si lo necesita, la ventana de protección de los contactos [A], utilizando su propio destornillador de punta plana.

Bloqueo de la programación y LED de alimentación ON: para bloquear la programación del instrumento gire en el sentido de las agujas del reloj el conmutador giratorio [B] llevándolo a la posición 7, para desbloquear la programación llévelo a la posición 1. El LED verde encendido [C] indica que el instrumento está alimentado.

Sellado de los módulos y del instrumento: para bloquear los módulos gire

en el sentido de las agujas del reloj los específicos elementos de fijación de los extremos de los módulos [E], utilizando un adecuado destornillador de punta plana [F]. Para sellar el equipo use las cubiertas y orificios específicos [D].

CONEXIONES ELÉCTRICAS

- [1] Trifásico, 2 hilos, carga equilibrada, conexión mediante 1 CT
- [2] Trifásico, 2 hilos, carga equilibrada, conexión mediante 1 CT y 1 VT/PT
- [3] Trifásico, 4 hilos, carga desequilibrada, conexión mediante 3 CT
- [4] Trifásico, 3 hilos, carga equilibrada, conexión mediante 1 CT y 3 VT/PT
- [5] Trifásico, 4 hilos, carga desequilibrada, conexión mediante 3 CT y 3 VT/PT
- [6] Trifásico, 3 hilos, carga desequilibrada, conexión mediante 3 CT
- [7] Trifásico, 3 hilos, carga desequilibrada, conexión mediante 3 CT y 2 VT/PT
- [8] Trifásico, 3 hilos, carga equilibrada, conexión mediante 1 CT
- [9] Trifásico, 3 hilos, carga desequilibrada, conexión mediante 2 CT (ARON)
- [10] Trifásico, 3 hilos, carga equilibrada, conexión mediante 1 CT y 2 VT/PT
- [11] Bifásico, 3 hilos, conexiones mediante 2 CT
- [12] Bifásico, 3 hilos, conexiones mediante 2 CT y 2 VT/PT
- [13] Monofásico, 2 hilos, conexión mediante 1 CT
- [14] Monofásico, 2 hilos, conexión mediante 1 CT y 1 VT/PT
- [15] Trifásico, 3 hilos, carga desequilibrada, conexión mediante 2 CT y 2 VT/PT (ARON)
- [16] Alimentación de 90 a 260VCA/CC. F=250V [T] 630mA.
Alimentación de 18 a 60VCA/CC. F=250V [T] 3.15A.

CT = Trafo de intensidad, VT = Trafo de tensión, PT = Trafo de potencia

ENGLISH — 297

Rated inputs, system type: 1, 2 or 3-phase. Galvanic insulation by means of built-in CT's. Current range (by CT) AV5 and AV6: 5(6)A; AV4 and AV7: 1(2)A. Voltage (by direct connection or VT/PT) AV4, AV5: 400/690VLL; AV6, AV7: 100/208VLL. **Accuracy** (Display + RS485) (@25°C ±5°C, R.H. ≤60%, 48 to 62 Hz). In: see below, Un: see below AV4 model In: 1A, Imax: 2A; Un: 160 to 480VLN (277 to 830VLL). AV5 model In: 5A, Imax: 6A; Un: 160 to 480VLN (277 to 830VLL). AV6 model, In: 5A, Imax: 6A; Un: 40 to 144VLN (70 to 250VLL), AV7 model In: 1A, Imax: 2A; Un: 40 to 144VLN (70 to 250VLL). Current AV4, AV5, AV6, AV7 models from 0.01In to 0.05In: ±(0,5% RDG +2DGT). From 0.05In to Imax: ±(0,2% RDG +2DGT). Phase-neutral voltage: In the range Un: ±(0,2% RDG +1DGT). Phase-phase voltage: In the range Un: ±(0,5% RDG +1DGT). Frequency: ±0.1Hz (45 to 65Hz). Active and Apparent power: 0.01In to 0.05In, PF 1: ±(1%RDG+1DGT) From 0.05In to Imax PF 0.5L, PF1, PF0.8C: ±(0,5%RDG+1DGT). Power Factor ±[0.001+0.5%(1.000 - “PF RDG”)]. Reactive power 0.1In to Imax, senφ 0.5L/C: ±(1%RDG+1DGT). 0.05In to 0.1In, senφ 0.5L/C: ±(1,5%RDG+1DGT), 0.05In to Imax, senφ 1: ±(1%RDG+1DGT) 0.02In to 0.05In, senφ 1: ±(1,5%RDG+1DGT). Active energy, class 0.5 according to EN62053-22, ANSI C12.20, class C according to EN50470-3. Reactive energy class 1 according to EN62053-23, ANSI C12.1. Start up current AV5, AV6: 5mA. Start up current AV4, AV7 1mA. **Energy additional errors**: according to EN62053-22, ANSI C12.20. Influence quantities, class B or C according to EN50470-3, EN62053-23, ANSI C12.1. **Total Harmonic Distortion (THD)** ±1% FS (FS: 100%). AV4: Imin: 5mARMS; Imax: 15Ap; Umin: 30VRMS; Umax: 585Vp. AV5: Imin: 5mARMS; Imax: 15Ap; Umin: 30VRMS; Umax: 585Vp. AV6: Imin: 5mARMS; Imax: 15Ap; Umin: 30VRMS; Umax: 585Vp. AV7: Imin: 5mARMS; Imax: 15Ap; Umin: 30VRMS; Umax: 585Vp. **Temperature drift** ≤200ppm/°C. **Sampling rate** 3200 samples/s @ 50Hz, 3840 samples/s @ 60Hz. Method TRMS measurements of distorted wave forms. Coupling type by means of CT's. **Crest factor**, AV5, AV6: ≤3 (15A max. peak), AV4, AV7: ≤3 (3A max. peak). **Current Overloads**, continuous (AV5 and AV6) 6A, @ 50Hz. Continuous (AV4 and AV7) 2A, @ 50Hz. For 500ms (AV5 and AV6) 120A, @ 50Hz. For 500ms (AV4 and AV7) 40A, @ 50Hz. **Voltage Overloads**, continuous 1.2 Un. For 500ms 2 Un. **Input impedance**, 400VL-L (AV4 and AV5) >1,6MΩ; 208VL-L (AV6 and AV7) >1,6MΩ. 5(10)A (AV5 and AV6) <0.2VA. 1(2)A (AV4 and AV7) <0.2VA. **Frequency** 40 to 440 Hz. **Meters**. Total 4 (9+1 digit). Partial 4 (9+1 digit). **Pulse output** connectable to total and/or partial meters. **Energy meter recording**, storage of total and partial energy meters. Energy meter storage format (EEPROM) Min. -9,999,999,999.9 kWh/kvarh, Max. 9,999,999,999.9 kWh/kvarh. **Energy Meters**, total energy meters +kWh, +kvarh, -kWh, -kvarh. Partial energy meters +kWh, +kvarh, -kWh, -kvarh. **Analysis principle** FFT. **Harmonic measurement**. Current up to the 32nd harmonic. Voltage up to the 32nd harmonic. **Type of harmonics** THD (VL1 and VL1-N). The same for the other phases: L2, L3. THD (AL1). The same for the other phases: L2, L3. **System**: the harmonic distortion can be measured in 3-wire or 4-wire systems. Tw: 0.02 sec@50Hz without filter. **Power supply** H: 90 to 260VAC/DC; L: 18 to 60VAC/DC (48 to 62Hz). Power consumption AC: 6 VA; DC: 3.5 W.

Operating temperature -25°C to +55°C (-13°F to 131°F) (R.H. from 0 to 90% non-condensing @ 40°C) according to EN62053-21, EN50470-1 and EN62053-23. **Storage temperature** -30°C to +70°C (-22°F to 158°F) (R.H. < 90% non-condensing @ 40°C) according to EN62053-21, EN50470-1 and EN62053-23. **Installation category** Cat. III (IEC60664, EN60664). **Dielectric strength** 4000 VRMS for 1 minute. **Noise rejection** CMRR 100 dB, 48 to 62 Hz. **EMC** according to EN62052-11. Electrostatic discharges: 15kV air discharge. Immunity to irradiated: test with current: 10V/m from 80 to 2000MHz. Electromagnetic fields: test without any current: 30V/m from 80 to 2000MHz. Burst: on current and voltage measuring inputs circuit: 4kV. Immunity to conducted disturbances: 10V/m from 150KHz to 80MHz. Surge: on current and voltage measuring inputs circuit: 4kV; on “L” auxiliary power supply input: 1kV. Radio frequency suppression: according to CISPR 22. **Standard compliance**: safety: IEC60664, IEC61010-1 EN60664, EN61010-1 EN62052-11. Metrology EN62053-21, EN62053-23, EN50470-3. Pulse output: DIN43864, IEC62053-31. **Approvals**: CE, cULus “Listed”. **Connections**: Screw-type. Screw-type. Cable cross-section area: max. 2.5 mm2. Min./max. Screws tightening torque: 0.4 Nm / 0.8 Nm. Suggested: 0.5 Nm. Module holder: 96x96x50mm. “A” and “B” type modules: 89.5x63x16mm. “C” type module: 89.5x63x20mm. Max. depth behind the panel. With 3 modules (A+B+C): 81.7 mm. Material, ABS, self-extinguishing: UL 94 V-0. **Protection degree**, front: IP65, NEMA4x, NEM12. Screw terminals: IP20.

ITALIANO — 297

Ingressi di misura. Sistema: 1, 2 o 3 fasi. Isolamento galvanico mediante TA integrati. Portata corrente (TA) AV5 e AV6: 5(6)A. AV4 e AV7: 1(2)A. Tensione (connesione diretta o TV) AV4, AV5: 400/690VLL; AV6, AV7: 100/208VLL. **Precisione** (Display + RS485) (@25°C ±5°C, R.H. ≤60%, 48 to 62 Hz) In: vedere sotto, Un: vedere sotto, Modello AV4, In: 1A, Imax: 2A; Un: da 160 a 480VLN (da 277 a 830VLL). Modello AV5, In: 5A, Imax: 6A; Un: da 160 a 480VLN (da 277 a 830VLL). Modello AV6 In: 5A, Imax: 6A; Un: da 40 a 144VLN (da 70 a 250VLL). Modello AV7 In: 1A, Imax: 2A; Un: da 40 a 144VLN (da 70 a 250VLL). Corrente, modelli AV4, AV5, AV6, AV7 Da 0,01In a 0,5In: ±(0,5% RDG +2DGT). Da 0,05In a Imax: ±(0,2% RDG +1DGT). Tensione fase-neutro, nel campo Un: ±(0,2% RDG +1DGT). Tensione fase-fase, nel campo Un: ±(0,5% RDG +1DGT). Frequenza ±0,1Hz (da 45 a 65Hz). Potenza attiva ed apparente: da 0,01In a 0,05In, cosφ 1: ±(1% RDG +1DGT), da 0,05In a Imax, cosφ 0,5L, cosφ 1, cosφ 0.8C: ±(0,5% RDG +1DGT). Fattore di potenza: ±[0.001+0.5%(1.000 - “PF RDG”)]. Potenza reattiva, da 0,1In a Imax, senφ 0,5L/C: ±(1%RDG+1DGT), da 0,05In a 0.1In, senφ 0,5L/C: ±(1,5%rRDG+1DGT), da 0.05In a Imax, senφ 1: ±(1%RDG+1DGT), da 0,02In a 0,05In, senφ 1: ±(1,5%RDG+1DGT). Energia attiva: Classe 0,5 secondo EN62053-22, ANSI C12.20 Classe C secondo EN50470-3. Energia reattiva Classe 1 secondo EN62053-23, ANSI C12.1. Corrente di avvio AV5, AV6 5mA. Corrente di avvio AV4, AV7 1mA. **Errori addizionali** secondo EN62053-22, ANSI C12.20. Grandezze di influenza Classe B o C secondo EN50470-3, EN62053-23, ANSI C12.1. **Distorsione armonica totale (THD)**: ±1% FS (FS: 100%), AV4: Imin: 5mARMS; Imax: 15Ap; Umin: 30VRMS; Umax: 585Vp, AV5: Imin: 5mARMS; Imax: 15Ap; Umin: 30VRMS; Umax: 585Vp, AV6: Imin: 5mARMS; Imax: 15Ap; Umin: 30VRMS; Umax: 585Vp, AV7: Imin: 5mARMS; Imax: 15Ap; Umin: 30VRMS; Umax: 585Vp. **Deriva termica**: ≤200ppm/°C. **Frequenza di campionamento**: 3200 campionio/s @ 50Hz, 3840 campionio/s @ 60Hz. **Misure**, metodo TRMS misura delle forma d’onda distorte. Tipo di accoppiamento Mediante TA. **Fattore di cresta** AV5, AV6: ≤3 (15A max. picco) AV4, AV7: ≤3 (3A max. picco). **Sovraccarico corrente**: continuo (AV5 e AV6) 6A, @ 50Hz. Continuo (AV4 e AV7) 2A, @ 50Hz. Per 500ms (AV5 e AV6) 120A, @ 50Hz. Per 500ms (AV4 e AV7) 40A, @ 50Hz. **Sovraccarico**: continuo 1,2 Un. Per 500ms 2 Un. **Impedenza d’ingresso**: 400VLL (AV4 e AV5) >1,6MΩ. 208VLL (AV6 e AV7) >1,6MΩ. 5(10)A (AV5 e AV6) <0,2VA. 1(2)A (AV4 e AV7) <0,2VA. **Frequenza** da 40 a 440 Hz. **Cotatori**: totali, 4 (9+1 digit). Parziali, 4 (9+1 digit). **Uscita impuls**i: associabile ai contatori parziali e/o totali. **Registrazione dei contatori**: memorizzazione dei contatori parziali e totali. Formato dei contatori memorizzati (EEPROM) Min. -9,999,999,999.9 kWh/kvarh. Max. 9,999,999,999.9 kWh/kvarh. **Contatori di energia**: totali, +kWh, +kvarh, -kWh, -kvarh. Parziali, +kWh, +kvarh, -kWh, -kvarh. **Principio dell’analisi** FFT. **Misura dell’armonica**, corrente, fino alla 32a armonica. Tensione, fino alla 32a armonica. **Tip**o di armoniche THD (VL1 e VL1-N) lo stesso per le altre fasi: L2, L3. THD (AL1) lo stesso per le altre fasi L2, L3. **Sistema**: la distorsione armonica è misurabile sia in un sistema 3 fili che 4 fili. Tw: 0,02 sec@50Hz senza filtro. **Alimentazione**: H: da 90 a 260VAC/DC; L: da 18 a 60VCA/CC (da 48 a 62Hz). Autoconsumo CA: 6VA; CC: 3,5W.

Temperatura di funzionamento da -25°C a +55°C (da -13°F a 131°F) (U.R. da 0 a 90% senza condensa @ 40°C) secondo EN62053-21 e EN62053-23. **Temperatura di immagazzinamento** da -30°C a +70°C (da -22°F a 140°F) (U.R. <90% senza condensa @ 40°C) secondo EN62053-21 e EN62053-23. **Categoria di installazione**: Cat. III (IEC60664, EN60664). **Isolamento (per 1 minuto)** 4000 VRMS tra ingressi di misura ed alimentazione. 4000 VRMS tra alimentazione e RS485/uscite digitali. **Rigidità dielettrica** 4000 VRMS per 1 minuto. **Reiezione** CMRR 100 dB, da 48 a 62 Hz. **EMC** secondo EN62052-11. Scariche elettrostatiche 15kV scarica in aria; Immunità campi elettromagnetici irradianti, provato con corrente applicata: 10V/m da 80 a 2000MHz; provato senza corrente applicata: 30V/m da 80 a 2000MHz. Immunità ai transitori veloci, sui circuiti degli ingressi di misura in corrente e tensione: 4kV. Immunità ai radiodisturbi condotti: 10V/m da 150KHz a 80MHz. Immunità ad impulso, sui circuiti degli ingressi di misura in corrente e tensione: 4kV; sull'alimentazione “L”: 1kV. Emissioni in radiofrequenza: secondo CISPR 22. **Conformità alle norme**: sicurezza IEC60664, IEC61010-1 EN60664, EN61010-1 EN62052-11. Metrologia: EN62053-21, EN50470-3, EN62053-23. Uscita impulsiva DIN43864, IEC62053-31. Approvazioni: CE, cULus listed. **Connessioni**: a vite. Sezione del cavo: max. 2,5 mm2. Coppia min./max serraggio: 0,4 Nm / 0,8 Nm. Consigliata: 0,5 Nm. **Custodia**: dimensioni (LxAxP) modulo base: 96x96x50mm. Moduli tipo “A” e “B”: 89,5x63x16mm. Modulo tipo “C”: 89,5x63x20mm. Ingombro massimo dietro il pannello Con 3 moduli (A+B+C): 81,7 mm. Materiale: nylon PA66, autoestinguenza: UL 94 V-0. Montaggio a pannello. **Grado di protezione**: frontale: IP65, NEMA4x, NEM12. Morsetti: IP20.

DEUTSCH — 297

Messeingänge: Phasensystem: Systemcode: 1, 2 oder 3. Strommessung: Galvanische Isolation durch integrierte Stromwandler. Strombereich (Stromwandler) AV5 und AV6: 5(6)A. AV4 und AV7: 1(2)A. Spannung (Direktmessung oder Spannungswandler) AV4, AV5: 400/690VLL; AV6, AV7: 100/208VLL. **Genauigkeit** (Anzeige + RS485) (bei 25°C ±5°C, R.F. ≤60%, 48 bis 62 Hz) In: Nennstrom, Un: Nennspannung: Modell AV4, In: 1A, Imax: 2A; Un: 160 bis 480VLN (277 bis 830VLL). Modell AV5, In: 5A, Imax: 6A; Un: 160 bis 480VLN (277 bis 830VLL). Modell AV6, In: 5A, Imax: 6A; Un: 40 bis 144VLN (70 bis 250VLL). Modell AV7, In: 1A, Imax: 2A; Un: 40 bis 144VLN (70 bis 250VLL). Strom Modelle AV4, AV5, AV6, AV7 VON 0,01In bis 0,5In: ±(0,5% RDG +2stellig). Von 0,05In bis Imax: ±(0,2% RDG +2stellig). Spannung Phase - N Bereich Un: ±(0,2% RDG +1stellig). Spannung Phase - Phase Bereich Un: ±(0,5% RDG +1stellig). Frequenz: ±0.1Hz (45 bis 65Hz). Wirk- und Scheinleistung: 0,01In bis 0,05In, PF 1: ±(1%RDG+1stellig). VON 0,05In bis Imax. PF 0.5L, PF1, PF0.8C: ±(0,5%RDG+1stellig). Leistungsfaktor: ±[0,001+0,5%(1,000 - “PF RDG”)]. Blindleistung: 0,1In bis Imax, senφ 0,5L/C: ±(1%RDG+1stellig). 0,05In bis 0,1In, senφ 0,5L/C: ±(1,5%RDG+1stellig). 0,05In bis Imax, senφ 1: ±(1%RDG+1stellig). 0,02In bis 0,05In, senφ 1: ±(1,5%RDG+1stellig). Energie: Klasse 0,5 gemäß EN62053-22, ANSI C12.20. Klasse C gemäß EN50470-3. Blindleistung: Klasse 1 gemäß EN62053-23, ANSI C12.1. Startstrom AV5, AV6 5mA. Startstrom AV4, AV7 1mA. **Zusätzlicher Energiefehler**: gemäß EN62053-22, ANSI C12.20, Bereichsüberschreitungs-abhängig: Klasse B oder C gemäß EN50470-3, EN62053-23, ANSI C12.1. **Gesamte Harmonische Verzerrung (THD)**: ±1% BE (BE: 100%). AV4: Imin: 5mARMS; Imax: 15Ap; Umin: 30VRMS; Umax: 585Vp. AV5: Imin: 5mARMS; Imax: 15Ap; Umin: 30VRMS; Umax: 585Vp. AV6: Imin: 5mARMS; Imax: 15Ap; Umin: 30VRMS; Umax: 585Vp. AV7: Imin: 5mARMS; Imax: 15Ap; Umin: 30VRMS; Umax: 585Vp. **Temperaturdrift**: ≤200ppm/°C. **Abtastrate** 3200 Abtastwertes/s bei 50Hz, 3840 Abtastwertes/s bei 60Hz. Messmethode TRMS-Messungen von verzerrten Wellenformen. Wandleranschluss Durch Stromwandler. **Scheitelwertfaktor**: AV5, AV6: ≤3 (15A Höchstspitze). AV4, AV7: ≤3 (3A Höchstspitze). **Überlaststrom**: Dauer (AV5 und AV6) 6A, bei 50Hz. Dauer (AV4) 2A, bei 50Hz. Für 500ms (AV5 und AV6) 120A, bei 50Hz. Für 500ms (AV4 uund AV7) 40A, bei 50Hz. **Überlastspannung**: Dauer 1,2 Un. Für 500ms 2 Un. **Eingangsimpedanz**: 400VL-L (AV4 und AV5) >1,6MΩ. 208VL-L (AV6 und AV7) >1,6MΩ. 5(10)A (AV5 und AV6) <0,2VA. 1(2)A (AV4 und AV7) <0,2VA. **Frequenz**: 40 bis 440 Hz. **Zähler**: Gesamt 4 (9+1 Ziffern). Partiell 4 (9+1 Ziffern). **Impulsausgang**: Anschließbar an Gesamtund/oder Teilzähler. **Aufzeichnung der Energiemessung**: Aufzeichnung von Gesamt- und Teilenergiemessung. Aufzeichnung der Energiemessung(EEPROM) Min. -9,999,999,999.9 kWh/kvarh. Max. 9,999,999,999.9 kWh/kvarh. **Energiezähler**: Gesamte Energiezähler +kWh, +kvarh, -kWh, -kvarh. Teilenergiezähler +kWh, +kvarh, -kWh, -kvarh. **Analyseprinzip**: FFT. **Wellenmessung**: Strom Bis zur 32. Harmonischen: Spannung Bis zur 32. Harmonischen. **Wellentypen**: THD (VL1 y VL1-N) Dasselbe für andere Phasen: L2, L3. THD (AL1) Dasselbe für andere Phasen: L2, L3. **System**: Die harmonische Verzerrung kann in Systemen mit 3 oder 4 Leiter gemessen werden. Tw: 0,02 sec@50Hz ohne Filter. **Modelle mit Hilfsstromversorgung**: H: 90 bis 260VAC/DC; L: 18 bis 60VAC/DC (48 bis 62Hz). **Leistungsaufnahme**: AC: 6 VA; DC: 3,5 W. **Betriebstemperatur** -25°C bis +55°C (-13°F bis 131°F) (R.F. von 0 bis 90% nicht kondensierend bei 40°C) gemäß EN62053-21, EN50470-1 und EN62053-23. **Lagertemperatur**: -30°C bis +70°C (-22°F bis 158°F) (R.F. < 90% nicht kondensierend bei 40°C) gemäß EN62053-21, EN50470-1 und EN62053-23. **Installationskategorie**: Kat. III (IEC60664, EN60664). **Durchschlagfestigkeit**: 4kVAC RMS für 1 Minute. **Rauschdrückungsverhältnis**: GTUV 100 dB, 48 bis 62 Hz. **EMC**: According to EN62052-11. Elektrostatische Entladungen: 15kV air discharge; Strahlungsimmunität: Test mit angelegten Strom: 10V/m von 80 bis 2000MHz; Elektromagnetfeld. Test ohne angelegten Strom: 30V/m von 80 bis 2000MHz; Ladungsimpuls: Am Strom- und Eingangsspannungsmesskreis: 4kV. Leiterstörungsimmunität: 10V/m von 150KHz bis 80MHz. Überspannungsfestigkeit: Strom- und Eingangsspannungsmesskreis: 4kV; an „L“ Hilfsstromversorgungseingang: 1kV; Störausstrahlung Gemäß CISPR 22. **Standardkonformität**: Sicherheit: IEC60664, IEC61010-1 EN60664, EN61010-1 EN62052-11. Messungen: EN62053-21, EN62053-23, EN50470-3. MID “Anhang MI-003”. Impulsausgang: DIN43864, IEC62053-31. Zulassungen: CE, cULus “Listed”. **Anschlüsse**: Schraubklemmen, Kabelquerschnitt: 2,5 mm2. Min./Max. Anzungsmoment: 0,4 Nm / 0,8 Nm. Empfohlene Anzungsmoment: 0,5 Nm. **Gehäuse DIN** Abmessungen (LxHxB): 96x96x50mm. Tiefe hinter der DIN-Schiene Mit 3 Modulen (A+B+C): 81,7 mm. Material ABS, selbstlöschend: UL 94 V-0. Montage: DIN-Schiene. **Schutzgrad**: Vorderseite, IP65, NEMA4x, NEM12. Schraubklemmen: IP20.

FRANÇAIS — 297

Entrées nominales. Type de réseau: 1, 2 ou 3-phases. Type de courant: Isolation galvanisée par TC incorporé. Plage de courant (par TC) AV5 et AV6: 5(6)A. AV4 et AV7: 1(2)A. Tension direct ou par TT/TP AV4, AV5: 400/690VLL; AV6, AV7: 100/208VLL. **Précision** (Afficheur + RS485) (@25°C ±5°C, H.R. ≤60%, 48 à 62 Hz) In: voir ci-dessous, Un: voir ci-dessous, Modèle AV4 In: 1A, Imax: 2A; Un: 160 à 480VLN (277 à 830VLL). Modèle AV5 In: 5A, Imax: 6A; Un: 160 à 480VLN (277 à 830VLL). Modèle AV6 In: 5A, Imax: 6A; Un: 40 à 144VLN (70 à 250VLL). Modèle AV7 In: 1A, Imax: 2A; Un: 40 à 144VLN (70 à 250VLL). Courant modèles AV4, AV5, AV6, AV7. De 0,01In à 0,5In: ±(0,5% RDG +2DGT). De 0,05In à Imax: ±(0,2% RDG +2DGT). Tension phase-neutre, Dans l’intervalle Un: ±(0,2% RDG +1DGT). Tension phase-phase, Dans l’intervalle Un: ±(0,5% RDG +1DGT). Fréquence: ±0,1Hz (45 à 65Hz). Puissance active et apparente: 0,01In à 0,05In, PF 1: ±(1%RDG+1DGT). De 0,05In à Imax, PF 0,5L, PF1, PF0,8C: ±(0,5%RDG+1DGT). Facteur de puissance: ±[0,001+0,5%(1,000 - “PF RDG”)]. Ruisssance réactive: 0,1In à Imax, senφ 0,5L/C: ±(1%RDG+1DGT). 0,05In à 0,1In, senφ 0,5L/C: ±(1,5%RDG+1DGT). 0,05In à Imax, senφ 1: ±(1%RDG+1DGT). 0,02In à 0,05In, senφ 1: ±(1,5%RDG+1DGT). Energie active: Classe 0,5 selon EN62053-22, ANSI C12.20. Classe C selon EN50470-3. Energie réactive: Classe 1 según norma EN62053-23, ANSI C12.1. Courant de démarrage AV5, AV6: 5mA. Courant de démarrage AV4, AV7: 1mA. **Erreurs additionnelles énergie**: Selon EN62053-22, ANSI C12.20. Quantités influentes: Classe B ou C selon EN50470-3, EN62053-23, ANSI C12.1. **Distorsion harmonique totale (THD)**: ±1% PE (PE: 100%). AV4: Imin: 5mARMS; Imax: 15Ap; Umin: 30VRMS; Umax: 585Vp. AV5: Imin: 5mARMS; Imax: 15Ap; Umin: 30VRMS; Umax: 585Vp. AV6: Imin: 5mARMS; Imax: 15Ap; Umin: 30VRMS; Umax: 585Vp. AV7: Imin: 5mARMS; Imax: 15Ap; Umin: 30VRMS; Umax: 585Vp. **Dérive de température**: ≤200ppm/°C. **Taux d'échantillonnage**: 3200 échantillons/s @ 50Hz, 3840 échantillons/s @ 60Hz. **Mesures**, méthode: mesures TRMS de formes d’ondes déformées. Type de raccordement: au moyen d’un TC. **Facteur de crête**: AV5, AV6: ≤3 (15A pic max), AV4, AV7: ≤3 (3A pic max). **Surcharges de courant**: continu (AV5 et AV6) 6A, @ 50Hz, Continu (AV4) 2A, @ 50Hz. Pour 500ms (AV5 et AV6) 120A, @ 50Hz. Pour 500ms (AV4 et AV7) 40A, @ 50Hz. **Surcharges de tension**, continu 1,2 Un. Pour 500ms 2 Un. **Impédance d’entrée**: 400VL-L (AV4 et AV5) > 1,6MΩ. 208VL-L (AV6 et AV7) > 1,6MΩ. 5(10)A (AV5 et AV6) < 0,2VA. 1(2)A (AV4 et AV7) <0,2VA. **Fréquence**: 40 à 440 Hz. **Compteurs**: total 4 (9+1 digit). Partiel 4 (9+1 digit). **Sortie impulsions**: raccordement possible aux compteurs d’énergie totale et/ou partielle. **Enregistrement du comptage d’énergie**: enregistrement du comptage d’énergie totale et partielle. Enregistrement du comptage d’énergie (EEPROM). Min. -9,999,999,999.9 kWh/kvarh. Max. 9,999,999,999.9 kWh/kvarh. **Compteurs d’énergie**: compteurs d’énergie totale +kWh, +kvarh, -kWh, -kvarh. Compteurs d’énergie partielle +kWh, +kvarh, -kWh, -kvarh. **Principe d’analyse**: FFT. **Mesure des harmoniques**: courant, jusqu’à la 32^{ème} harmonique. Tension, jusqu’à la 32^{ème} harmonique. **Type d’harmoniques**: THD (VL1 et VL1-N) Identique pour les autres phases: L2, L3. THD (AL1) Identique pour les autres phases: L2, L3. **Réseau**: on peut mesurer la distorsion harmonique dans réseaux 3-phases ou 4-phases. Tw: 0.02 sec@50Hz sans filtres. **Versio**n auto-alimentée: H: 90 à 260VCA/CC; L: 18 à 60VCA/CC (48 à 62Hz). **Consommation d’énergie**: AC: 6 VA; CC: 3,5 W.

Température de fonctionnement -25°C à +55°C (-13°F à 131°F) (H.R. de 0 à 90% sans condensation @ 40°C) selon EN62053-21, EN50470-1 and EN62053-23. **Température de stockage** -30°C à +70°C (-22°F à 158°F) (H.R. < 90% sans condensation @ 40°C) selon EN62053-21, EN50470-1 and EN62053-23. **Catégorie d’installation** Cat. III (IEC60664, EN60664). **Tension diélectrique**: 4kVCA RMS pour 1 minute. **Émission de bruit** CMRR 100 dB, 48 à 62 Hz. **CEM**: selon EN62052-11. Décharges électrostatiques 15kV décharge atmosphérique. Immunité à l’irradiation: test avec courant: 10V/m de 80 à 2000MHz. Champs électromagnétiques: test sans aucun courant: 30V/m de 80 à 2000MHz. Transitoires: sur circuit d’entrées de mesure courant et tension: 4kV. Immunité aux bruits par conduction 10V/m de 150KHz à 80MHz. Surtenstion: sur circuit d’entrées de mesure courant et tension: 4kV; sur entrée d’alimentation auxiliaire « L »: 1kV; suppression fréquence radio, selon CISPR 22. **Conformité aux standards**: sécurité IEC60664, IEC61010-1 EN60664, EN61010-1 EN62052-11. Métrologie: EN62053-21, EN62053-23, EN50470-3. MID “annexe MI-003”. Sortie impulsion DIN43864, IEC62053-31. **Approbations**: CE, cULus “Listed”. **Connexions**: À vis, Section de câbles max. 2,5 mm2. Min./Max. couple de serrage de vis: 0,4 Nm / 0,8 Nm. Couple de serrage de vis recommandé: 0,5Nm. **Boîtier DIN** Dimensions (LxHxD): 96x96x50mm. Profondeur max. derrière le panneau. Avec 3 modules (A+B+C): 81,7 mm Matériau ABS, autoextinguible: UL 94 V-0. Montage: montage sur panneau. **Indice de protection**: face avant IP65, NEMA4x, NEM12. Terminaisons de vis IP20.

ESPAÑOL — 297

Entradas de medida. Tipo de sistema: monofásico, bifásico, trifásico. Tipo de entr. de intensidad: aislamiento galvánico mediante CT incorporado. Escala de intens. (mediante CT) AV5 y AV6: 5(6)A. AV4 y AV7: 1(2)A. Tensión (conex. directa o con VT/PT) AV4, AV5: 400/690VLL; AV6, AV7: 100/208VLL. **Precisión** (Display + RS485) (a 25°C ±5°C, H.R. ≤60%, 48 a 62 Hz) In: ver abajo, Vn: ver abajo. Modelo AV4 In: 1A, Imax: 2A; Vn: 160 a 480VLN (277 a 830VLL). Modelo AV5 In: 5A, Imax: 6A; Vn: 160 a 480VLN (277 a 830VLL). Modelo AV6 In: 5A, Imax: 6A; Vn: 40 a 144VLN (70 a 250VLL). Modelo AV7 In: 1A, Imax: 2A; Vn: 40 a 144VLN (70 a 250VLL). Intensidad modelos AV4, AV5, AV6, AV7 De 0,01In a 0,05In: ±(0,5% lec. +2díg) De 0,05In a Imax: ±(0,2% lec. +2díg). Tensión fase-neutro, en la escala Vn: ±(0,2% lec. +1díg). Tensión fase-fase En la escala Vn: ±(0,5% lec. +1díg). Frecuencia: ±0,1Hz (45 a 65Hz). Potencia activa y aparente, 0,01In a 0,05In, PF 1: ±(1%lec.+1díg). De 0,05In a Imax PF 0,5L, PF1, PF0,8C: ±(0,5%lec.+1díg). Factor de potencia (PF): ±[0,001+0,5%(1,000 - “PF lec.”)]. Potencia reactiva: 0,1In a Imax, senφ 0,5L/C: ±(1%lec. +1díg). 0,05In a 0,1In, senφ 0,5L/C: ±(1,5%lec. +1díg). 0,05In a Imax, senφ 1: ±(1%lec. +1díg). 0,02In a 0,05In, senφ 1: ±(1,5%lec. +1díg). Energía activa: Clase 0,5 según norma EN62053-22, ANSI C12.20. Clase C según norma EN50470-3. Energía reactiva: Clase 1 según norma EN62053-23, ANSI C12.1. Intensidad de arranque: AV5, AV6 5mA. Intensidad de arranque: AV4, AV7 1mA. **Errores adicionales de energía**: según norma EN62053-22, ANSI C12.20. Influencia: Clase B o C según norma EN50470-3, EN62053-23, ANSI C12.1. **Distorsión armónica total (THD)**: ±1% f.e. (f.e.: 100%). AV4: Imin: 5mARMS; Imax: 15Ap; Vmin: 30VRMS; Vmax: 585Vp; AV5: Imin: 5mARMS; Imax: 15Ap; Vmin: 30VRMS; Vmax: 585Vp. AV6: Imin: 5mARMS; Imax: 15Ap; Vmin: 30VRMS; Vmax: 585Vp. AV7: Imin: 5mARMS; Imax: 15Ap; Vmin: 30VRMS; Vmax: 585Vp. **Deriva térmica**: ≤200ppm/°C. **Frecuencia de muestreo**: 3200 lecturas/s a 50Hz, 3840 lecturas/s a 60Hz. **Medidas**, método: medida TRMS de tensión/intensidad de una onda distorsionada. Tipo de conexión: mediante CT. **Factor de cresta**: AV5, AV6: ≤3 (pico máx 15A). AV4, AV7: ≤3 (pico máx 3A). **Protec. contra sobrecargas de intensidad**: Continua (AV5 y AV6) 6A, a 50Hz. Continua (AV4) 2A, a 50Hz. Durante 500ms (AV5 y AV6) 120A, a 50Hz. Durante 500ms (AV4 y AV7) 40A, a 50Hz. **Protec. contra sobrecargas de tensión**: Continua 1,2 Vn. Durante 500ms 2 Vn. **Impedancia de entrada**: 400VL-L (AV4 y AV5) >1,6MΩ. 208VL-L (AV6 y AV7) >1,6MΩ. 5(10)A (AV5 y AV6) <0,2VA 1(2)A (AV4 y AV7) <0,2VA. **Frecuencia** 40 a 440 Hz. **Medidores**. Total 4 (9+1 díg.). Parcial 4 (9+1 díg.). **Salida de pulsos**: se puede asociar a los medidores de energía totales y parciales. **Registro del medidor**: almacenamiento del los medidores parciales y totales. Formato de almacenamiento del medidor de energía (EEPROM), Min. -9,999,999,999.9 kWh/kvarh. Máx. 9,999,999,999.9 kWh/kvarh. **Medidores de energía**: medidores de energía total +kWh, +kvarh, -kWh, -kvarh. Medidores de energía parcial +kWh, +kvarh, -kWh, -kvarh. **Método de análisis**: FFT. **Medida de armónicos**: Intensidad Hasta armónico nº32. Tensión: Hasta armónico nº32. **Tip**o de armónicos: THD (VL1 y VL1-N) lo mismo para las otras fases: L2, L3. THD (AL1) lo mismo para las otras fases: L2, L3. **Sistema**: la distorsión armónica puede medirse en sistemas de 3 hilos y de 4 hilos

**Instruction Manual
Modules WM30/WM40**

Thank you
for choosing our products.

Grazie
per aver scelto i nostri prodotti.

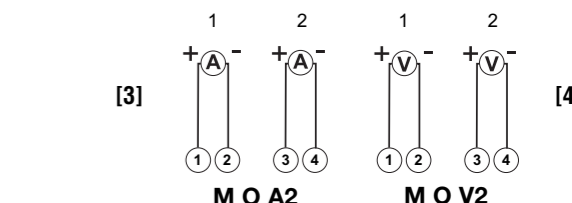
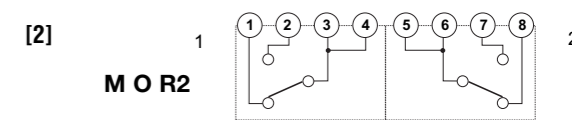
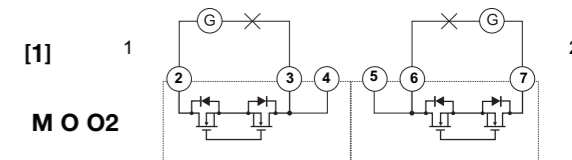
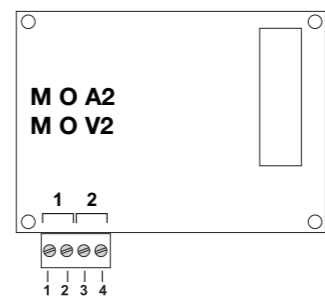
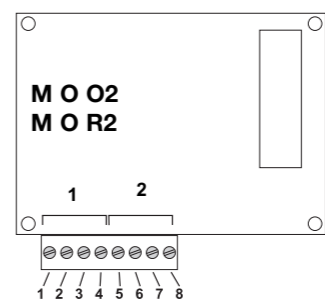
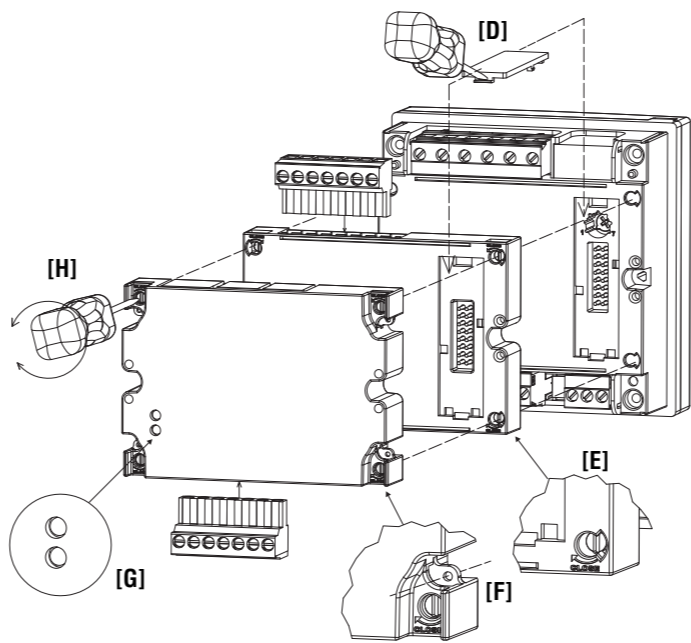
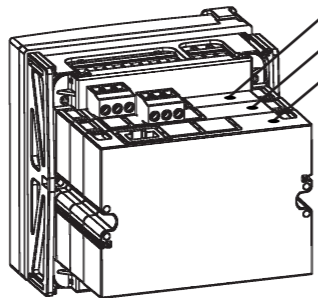
Wir danken
Ihnen dafür, dass Sie unsere
Produkte gewählt haben.

Gracias
por elegir nuestros productos.

Merci
d'avoir choisi nos produits.



Tab.1	A	B	C
M O O2, [1]	X		
M O R2, [2]	X		
M O A2, [3]		X	
M O V2, [4]		X	
M C 485 232, [5], [6]			X
M C ETH			X
M C BACnet-IP			X
MC BAC MS			X



ENGLISH

Read carefully the instruction manual. If the instrument is used in a manner not specified by the producer, the protection provided by the instrument may be impaired. **Maintenance:** make sure that the connections are correctly carried out in order to avoid any malfunctioning or damage to the instrument. To keep the instrument clean, use a slightly damp cloth; do not use any abrasives or solvents. We recommend to disconnect the instrument before cleaning it.

WARNING: it allows to mount only one module per type, for a maximum of 3 modules in total. To avoid any damage respect the position of the modules as shown on table 1. To make sure that the screw tightening torque is 0.5Nm. ALL THE MOUNTING AND DISASSEMBLY OPERATIONS OF THE INSTRUMENT AND MODULES HAVE TO OCCUR WHEN POWER SUPPLY AND THE LOADS ARE NOT CONNECTED.

WIRING DIAGRAMS

- [1] 2 static opto-mosfet outputs.
- [2] 2 relays outputs.
- [3] 2 analogue outputs 20mA DC.
- [4] 2 analogue outputs 10V DC.
- [5] RS485 serial port. **IMPORTANT:** additional devices provided with RS485 are connected in parallel. The termination of the serial output is carried out only on the last instrument of the network, by means of a jumper between B+ and T.
- [6] RS232 serial port. **IMPORTANT:** the termination must be done by means of a jumper between B+ and T.

A: the communication RS232 and RS485 ports **can't be** connected and used simultaneously. **MC BAC MS module is only supplied with RS485.** To connect the ethernet or BACnet-IP modules using the RJ45 connector.

[G] The communication modules are provided with LED indicating the communication status RX or TX.
Preliminary operations: remove the protection cover of the contacts **[D]**, using a properly screwdriver.
Lock and sealing the modules: to lock the modules turning (clockwise) the properly fixing elements on the corners **[E]**, **[F]**, using a properly screwdriver **[H]**. To seal the instrument use the dedicated holes **[F]**.

ITALIANO

Leggere attentamente il manuale di istruzioni. Qualora l'apparecchio venisse adoperato in un modo non specificato dal costruttore, la protezione prevista dall'apparecchio potrebbe essere compromessa. **Manutenzione:** Per mantenere pulito lo strumento usare un panno inumidito; non usare abrasivi o solventi. Si consiglia di scollegare lo strumento prima di eseguire la pulizia.

ATTENZIONE: è possibile montare un unico modulo per tipo, per un massimo di tre moduli in totale. Per evitare malfunzionamenti rispettare la posizione dei moduli come indicato dalla tabella 1. Porre attenzione alla coppia di serraggio applicata alle viti dei morsetti che sia di: 0,5Nm. TUTTE LE OPERAZIONI DI MONTAGGIO E SMONTAGGIO DELLO STRUMENTO E DEI MODULI VANNO ESEGUITE CON ALIMENTAZIONE E CARICO SCOLLEGATI.

COLLEGAMENTI ELETTRICI

- [1] Doppia uscita statica a opto-mosfet.
- [2] Doppia uscita statica a relè.
- [3] Doppia uscita analogica a 20mA CC.
- [4] Doppia uscita analogica a 10V CC.
- [5] Uscita porte seriali RS485. **IMPORTANTE:** ulteriori strumenti provvisti di RS485 sono collegati in parallelo. La terminazione dell'uscita seriale dev'essere eseguita solo sull'ultimo strumento della rete mediante un ponticello tra i morsetti B+ e T.
- [6] Uscita porte seriali RS232. **IMPORTANTE:** eseguire la terminazione mediante un ponticello tra i morsetti B+ e T.

A: le porte di comunicazione RS232 e RS485 **non possono** essere usate e connesse insieme. **Il modulo MC BAC MS è provvisto della sola porta RS485.** Per COLLEGARE i moduli con uscita ethernet o BACnet-IP utilizzare l'apposito conettore RJ45.

[G] Il modulo di comunicazione è provvisto di appositi LED segnalanti lo stato di comunicazione RX o TX.
Operazione preliminare: smontare la finestra di protezione dei contatti **[D]**, utilizzando un apposito cacciavite a taglio.
Bloccaggio e sigillatura dei moduli: per bloccare i moduli agire sugli appositi elementi di fissaggio posti agli angoli dei moduli stessi **[F]**, **[E]**, utilizzando un adeguato cacciavite a taglio **[H]**. Il sigillo va apposto utilizzando i fori dedicati **[F]**.

DEUTSCH

Die Betriebsanleitung aufmerksam lesen. Sollte das Gerät nicht gemäß der Herstellerangaben verwendet werden, könnte der vom Gerät vorgesehene Schutz beeinträchtigt werden.

Wartung: Das Gerät mit einem feuchten Tuch reinigen; keine Scheuer- oder Lösemittel verwenden. Das Gerät vor der Reinigung ausschalten.

ACHTUNG: Pro Typ kann nur ein einziges Modul montiert werden, d.h. insgesamt maximal drei Module. Um Störungen zu vermeiden, sollte die Position der Module gemäß Tabelle 1 eingehalten werden. Außerdem ist darauf zu achten, dass das Anzugsmoment der Klemmschrauben 0,5Nm beträgt. SOWOHL BEI DER MONTAGE, ALS AUCH BEIM AUSBAU DES GERÄTES UND DER MODULE MÜSSEN STROMVERSORGUNG UND STROMLAST STETS VORHER ABGETRENNT WERDEN.

ELEKTRISCHE ANSCHLÜSSE

- [1] Doppelter statischer Ausgang Opto-mosfet.
- [2] Doppelter statischer Ausgang Relais.
- [3] Doppelter analoger Ausgang 20mA DC.
- [4] Doppelter analoger Ausgang 10V DC.
- [5] Ausgang serielle RS485-Anschlüsse. WICHTIG: Weitere mit RS485 ausgestattete Geräte sind parallel angeschlossen. Der Endverschluss des seriellen Ausgangs darf nur am letzten Gerät des Netzes mit einer Überbrückung zwischen den Klemmen B+ und T durchgeführt werden.
- [6] Ausgang serielle RS232-Anschlüsse. WICHTIG: Der Endverschluss muss mit einer Überbrückung zwischen den Klemmen B+ und T durchgeführt werden.

A: Die Kommunikationsanschlüsse RS232 und RS485 können nicht gemeinsam verwendet und angeschlossen werden. **Das MC BAC MS Modul wird nur mit RS485 geliefert.**

Für den ANSCHLUSS der Module an den Ethernet- oder BACnet-IP-Ausgang den dafür vorgesehenen RJ45-Stecker verwenden.
[G] Das Kommunikationsmodul ist mit entsprechenden LED ausgestattet, die den Kommunikationsstatus RX oder TX anzeigen.
Vorbereitung: Das Schutzfenster der Kontakte **[D]** mit einem Schlitzschraubenzieher entfernen.
Befestigung und Versiegelung der Module: Die Befestigung der Module erfolgt über die an den Ecken derselben vorgesehenen Befestigungselemente **[F]**, **[E]**, mit Hilfe eines passenden Schlitzschraubenziehers **[H]**. Das Siegel wird über die hierfür vorgesehenen Löcher **[F]** angebracht.

FRANÇAIS

Lire attentivement le manuel de l'utilisateur. Si l'appareil est utilisé dans des conditions différentes de celles spécifiées par le fabricant, le niveau de protection prévu par l'instrument peut être compromis. **Entretien:** Pour nettoyer l'instrument, utiliser un chiffon humide; ne pas utiliser d'abrasifs ou de solvants. Il faut déconnecter le dispositif avant de procéder au nettoyage.

ATTENTION: il est possible de monter un module unique par type, avec un maximum de trois modules au total. Afin d'éviter les dysfonctionnements, respecter la position des modules comme l'indique le tableau 1. Faire attention à ce que le couple de serrage appliqué aux vis des bornes soit de : 0,5Nm. POUR TOUTES LES OPÉRATIONS DE MONTAGE ET DÉMONTAGE DE L'INSTRUMENT ET DES MODULES IL FAUT QUE L'ALIMENTATION ET LA CHARGE SOIENT DÉBRANCHÉES.

BRANCHEMENTS ÉLECTRIQUES

- [1] Double sortie statique à opto-mosfet.
- [2] Double sortie statique à relais.
- [3] Double sortie analogique à 20mA CC.
- [4] Double sortie analogique à 10V CC.
- [5] Sortie ports série RS485. IMPORTANT: d'autres instruments pourvus de RS485 sont branchés en parallèle. La terminaison de la sortie série doit se faire uniquement sur le dernier instrument du réseau au moyen d'un cavalier entre les bornes B+ et T.
- [6] Sortie ports série RS232. IMPORTANT: procéder à la terminaison au moyen d'un cavalier entre les bornes B+ et T.

A: les ports de communication RS232 et RS485 ne peuvent pas être utilisés et branchés ensemble. **Le module MC BAC MS est fourni uniquement avec RS485.**

Pour BRANCHER les modules avec sortie Ethernet ou BACnet-IP utiliser le connecteur RJ45 prévu à cet effet.
[G] Le module de communication est pourvu de LED spécifiques qui signalent l'état de communication RX ou TX.
Opération préliminaire: démonter la fenêtre de protection des contacts **[D]**, en utilisant un tournevis plat approprié.
Bloquer et sceller les modules: pour bloquer les modules, agir sur les éléments de fixation prévus à cet effet, situés aux angles des modules mêmes **[F]**, **[E]**, en utilisant un tournevis plat approprié **[H]**. Poser le sceau en utilisant les trous spécifiques prévus **[F]**.

ESPAÑOL

Lea atentamente el manual de instrucciones. Si el instrumento se usa de modo distinto al indicado por el fabricante, la protección de seguridad ofrecida por el instrumento podrá resultar dañada. **Mantenimiento:** para limpiar el equipo utilizar siempre un trapo ligeramente humedecido, nunca productos abrasivos o disolventes. Se recomienda desconectar siempre el instrumento antes de limpiarlo.

ATENCIÓN: es posible montar un solo módulo por tipo, para un total máximo de tres módulos. Para evitar daños respete la posición de los módulos tal como se indica en la tabla 1. Ponga cuidado en que el par de apriete aplicado sea de: 0,5Nm. TODAS LAS OPERACIONES DE MONTAJE Y DESMONTAJE DEL INSTRUMENTO Y DE LOS MÓDULOS DEBE REALIZARSE CON LA ALIMENTACIÓN Y LA CARGA DESCONECTADAS.

CONEXIONES ELÉCTRICAS

- [1] Doble salida estática opto-mosfet.
- [2] Doble salida estática de relé.
- [3] Doble salida analógica de 20mA CC.
- [4] Doble salida analógica de 10V CC.

Tab. 2	A	B	C	D	E	F	G
A	-	4kV	4kV	4kV	4kV	4kV	4kV
B	4kV	2kV	NA	4kV	4kV	4kV	4kV
C	4kV	NA	2kV	4kV	4kV	4kV	4kV
D	4kV	4kV	4kV	-	4kV	4kV	4kV
E	4kV	4kV	4kV	4kV	0kV	4kV	4kV
F	4kV	4kV	4kV	4kV	4kV	-	4kV
G	4kV	4kV	4kV	4kV	4kV	4kV	-

- A=** Measuring input - Ingressi di misura - Messeingänge - Entrées de mesure - Entr. de medida.
- B=** Relay outputs - Uscita relè - Relaisausgänge - Sorties à relais - Salidas de relé.
- C=** Static outputs - Uscita statica - Statische Ausgänge - Sorties statiques - Salidas estáticas.
- D=** Communication port - Porta di comunicazione - Kommunikations-Schnittstelle - Port de commun - Puerto de comunicación.
- E=** Analogue outputs - Uscite analogiche - Analoge Ausgänge - Sortie analogiques - Salidas analógicas.
- F=** Digital inputs - Ingressi digitali - Digitaleingänge - Entrées logiques - Entradas digitales
- G=** Power supply - Alimentazione - Hilfsstromversorgung - Alimentation auxiliaire - Alimentación auxiliar.

[5] Salida de puerto serie RS485. **IMPORTANTE:** Instrumentos adicionales dotados de RS485 se conectan en paralelo. La terminación de la salida serie sólo debe realizarse en el último instrumento de la red mediante un puente entre B+ y T.
[6] Salida de puerto serie RS232. **IMPORTANTE:** realice la terminación mediante un puente entre B+ y T.

A: los puertos de comunicación RS232 y RS485 no pueden utilizarse ni conectarse al mismo tiempo. **El módulo MC BAC MS se suministra sólo con RS485.**

Para CONECTAR los módulos con salida ethernet o BACnet-IP utilice el conector RJ45.

[G] Los módulos de comunicación están dotados de LEDs que señalan el estado de comunicación RX o TX.

Operación preliminar: desmonte la ventana de protección de los contactos **[D]**, utilizando un destornillador de punta plana.

Bloqueo y sellado de los módulos: para bloquear los módulos gire en el sentido de las agujas del reloj los específicos elementos de fijación de los extremos de los módulos **[E]**, **[F]**, utilizando un adecuado destornillador de punta plana **[H]**. Para sellar el equipo use los orificios específicos **[F]**.

ENGLISH

Relay outputs (M O R2). Physical outputs 2 (max. one module per instrument). Purpose for either alarm output or pulse output. Type, relay, SPDT type, AC 1-5A @ 250VAC; AC 15-1.5A @ 250VAC, DC 12-5A @ 24VDC; DC 13-1.5A @ 24VDC. Configuration, by means of the front key-pad. Function, the outputs can work as alarm outputs but also as pulse outputs, remote controlled outputs, or in any other combination. Alarms up alarm and down alarm linked to the virtual alarms. Min. response time ≤200ms, filters excluded. Set-point on-time delay: "0 s". Pulse: signal retransmission: Total: +kWh, -kWh, +kvarh, -kvarh. Partial: +kWh, -kWh, +kvarh, -kvarh. Pulse duration, programmable from 0.001 to 10.00 kWh/kvarh per pulse. ≥100ms <120msec (ON), ≥120ms (OFF), according to EN62052-31. Remote controlled outputs: the activation of the outputs is managed through the serial communication port.

Static outputs (M O O2). Opto-Mosfet type. Physical outputs: 2 (max. one module per instrument). Purpose, for either pulse output or alarm output. Signal: VON:2.5VAC/DC/max.100mA, VOFF: 260VAC/DC max. Configuration, by means of the front key-pad. Function: the outputs can work as alarm outputs but also as pulse outputs, remote controlled outputs, or in any other combination. Alarms: up alarm and down alarm linked to the virtual alarms. Min. response time ≤200ms, filters excluded. Set-point on-time delay: "0 s". Pulse: signal retransmission: Total: +kWh, -kWh, +kvarh, -kvarh. Partial: +kWh, -kWh, +kvarh, -kvarh. Pulse duration: programmable from 0.001 to 10.00 kWh/kvarh per pulse. ≥100ms < 120msec (ON), ≥120ms (OFF), according to EN62052-31. Remote controlled outputs: the activation of the outputs is managed through the serial communication port.

20mA analogue outputs (M O A2). Number of outputs 2 (max. one module per instrument). Accuracy (@ 25°C ±5°C, R.H. <60%) ±0.2%FS. Range 0 to 20mA. Configuration: by means of the front key-pad. Signal retransmission: the signal output can be connected to any instantaneous variable available. Scaling factor: programmable within the whole range of retransmission; it allows the retransmission management of all values from 0 to 20 mADC. Response time <400 ms typical (filter excluded). Ripple ≤1% (according to IEC 60688-1, EN 60688-1). Total temperature drift ≤500 ppm/°C. Load ≤600Ω.

10VDC analogue outputs (M O V2). Number of outputs 2 (max. one module per instrument). Accuracy (@ 25°C ±5°C, R.H. ≤60%) ±0.2%FS. Range 0 to 10 VDC. Configuration: by means of the front key-pad. Signal retransmission: the signal output can be connected to any instantaneous variable available. Scaling factor: programmable within the whole range of retransmission; it allows the retransmission management of all values from 0 to 10VDC. Response time: ≤400 ms typical (filter excluded). Ripple: ≤1% (according to IEC 60688-1, EN 60688-1). Total temperature drift: ≤500 ppm/°C. Load: ≥10kΩ.

RS485/RS422 port. Type: multidrop, bidirectional. Connections: 2-wire. Max. distance 1000m, termination directly on the module. Addresses: 247, selectable by means of the front key-pad. Protocols: MODBUS/JBUS (RTU). Protocols: modbus (247 addresses selectable by front key pad); BACnet MS/TP (instance numbers selectable by programming software). Data format: 1 start bit, 8 data bit, no/even/odd parity,1 stop bit. Baud-rate, selectable: 9.6k, 19.2k, 38.4k, 115.2k bit/s. Driver input capability 1/5 unit load. Maximum 160 transceivers on the same bus.

RS232 port (on request). Type: bidirectional. Connections 3 wires. Max. distance 15m. Protocol: MODBUS RTU /JBUS. Data format 1 start bit, 8 data bit, no/even/odd parity,1 stop bit. Baud-rate, selectable: 9.6k, 19.2k, 38.4k, 115.2k bit/s.

Ethernet/Internet port (on request). Protocols: Modbus TCP/IP. IP configuration: Static IP / Netmask / Default gateway. Port selectable (default 502). Client connections: Max 5 simultaneously. Connections: RJ45 10/100 BaseTX. Max. distance 100m.

BACnet-IP (on request). Protocols: BACnet-IP (for measurement reading) and Modbus TCP/IP (for programming parameter, instance number selectable by programming software). IP configuration Static IP / Netmask / Default gateway. BACnet-IP Port. Fixed: BAC0h. Modbus Port Selectable (default 502). Client connections: modbus only: max 5 simultaneously. Connections RJ45 10/100 BaseTX Max. distance 100m.

Operating temperature -25°C to +55°C (-13°F to 131°F) (R.H. from 0 to 90% non-condensing @ 40°C) according to EN62053-21, EN50470-1 and EN62053-23. **Storage temperature** -30°C to +70°C (-22°F to 158°F) (R.H. < 90% non-condensing @ 40°C) according to EN62053-21, EN50470-1 and EN62053-23. **Installation category** Cat. III (IEC60664, EN60664). **Dielectric strength** 4000 VRMS for 1 minute. **Noise rejection** CMRR 100 dB, 48 to 62 Hz. **EMC** according to EN62052-11. Electrostatic discharges: 15kV air discharge. Immunity to irradiated: test with current: 10V/m from 80 to 2000MHz. Electromagnetic fields: test without any current: 30V/m from 80 to 2000MHz. Burst: on current and voltage measuring inputs circuit: 4kV. Immunity to conducted disturbances: 10V/m from 150KHz to 80MHz. Surge: on current and voltage measuring inputs circuit: 4kV; on "L" auxiliary power supply input: 1kV. Radio frequency suppression: according to CISPR 22. **Standard compliance:** safety: IEC60664, IEC61010-1 EN60664, EN61010-1 EN62052-11. Metrology EN62053-21, EN62053-23, EN50470-3. Pulse output: DIN43864, IEC62053-31. **Approvals:** CE, cULus "Listed". **Connections:** Screw-type. Cable cross-section area: max. 2.5 mm2. Min./max. Screws tightening torque: 0.4 Nm / 0.8 Nm. Suggested: 0.5 Nm. **Housing** dimension: "A" and "B" type modules: 89.5x63x16mm. "C" type module: 89.5x63x20mm. Max. depth behind the panel. With 3 modules (A+B+C): 81.7 mm. Material, ABS, self-extinguishing: UL 94 V-0.

Protection degree, front: IP65, NEMA4x, NEM12. Screw terminals: IP20.

ITALIANO

Uscite relè (M O R2). Uscite fisiche, 2 (max. un modulo per strumento). Utilizzo, uscite allarmi o impulsì. Relè, tipo SPDT. CA 1-5A @ 250VCA; CA 15-1.5A @ 250VCA CC; 12-5A @ 24VCC; CC 13-1.5A @ 24VCC. Configurazione, mediante tastiera frontale. Funzione, l'uscita può funzionare come uscita allarme ma anche come uscita impulsì, controllo remoto o in qualsiasi altra combinazione. Allarme in salita, allarme in discesa associate agli allarmi virtuali. Tempo min di risposta ≤200ms, filtro escluso. Ritardo all'attivazione: "0 s". Impulsì, ritrasmissione segnale totale: +kWh, -kWh, +kvarh, -kvarh. Parziale: +kWh, -kWh, +kvarh, -kvarh. La lista di variabili può essere associata ad ogni uscita. Durata impulso programmabile da 0,001 a 10,00 kWh/kvarh per impulso. ≥100ms <120msec (ON), ≥120ms (OFF), secondo EN62052-31. Controllo remoto, l'attivazione delle uscite è gestita mediante la porta seriale di comunicazione.

Uscite statiche (M O O2). Tipo Opto-Mosfett. Uscite fisiche 2 (max. un modulo per strumento). Utilizzo, uscita allarme o impulsì. Segnale VON: 2,5VCA/CC/max.100mA. VOFF: 260VCA/CC max. Configurazione, mediante tastiera frontale. Funzione: l'uscita può funzionare come uscita allarme ma anche come uscita impulsì, controllo remoto o in qualsiasi altra combinazione. Allarme in salita, allarme in discesa associate agli allarmi virtuali. Tempo min risposta: ≤200ms, filtro escluso. Ritardo all'attivazione: "0 s". Impulsì: ritrasmissione segnale totale +kWh, -kWh, +kvarh, -kvarh. Parziale +kWh, -kWh, +kvarh, -kvarh. La lista di variabili può essere associata ad ogni uscita. Durata impulso, programmabile da 0,001 a 10,00 kWh/kvarh per impulso. ≥100ms <120msec (ON), ≥120ms (OFF), secondo EN62052-31. Controllo remoto: l'attivazione delle uscite è gestita mediante la porta seriale di comunicazione.

Uscita analogica 20mA (M O A2). Numero di uscite 2 (max. un modulo per strumento). Precisione (@ 25°C ±5°C, R.H. ≤60%) ±0,2%FS. Campo da 0 a 20mA. Configurazione, mediante tastiera frontale. Ritrasmissione segnale, il segnale d'uscita può essere associato ad ogni variabile istantanea disponibile. Fattore di scala programmabile all'interno di tutto il campo di ritrasmissione; permette la gestione della ritrasmissione di tutti i valori da 0 a 20 mA. Tempo di risposta ≤400 ms tipico (filtro escluso). Ripple ≤1% (secondo IEC 60688-1, EN 60688-1). Deriva termica totale ≤500 ppm/°C. Carico ≥10kΩ.

10VDC analogue outputs (M O V2). Numero di uscite 2 (max. un modulo per strumento). Precisione (@ 25°C ±5°C, R.H. ≤60%) 0,2%FS. Campo da 0 a 10VCC. Configurazione mediante tastiera frontale. Ritrasmissione segnale: il segnale d'uscita può essere associato ad ogni variabile istantanea disponibile. Fattore di scala programmabile all'interno di tutto il campo di ritrasmissione; permette la gestione della ritrasmissione di tutti i valori da 0 a 10VCC. Tempo di risposta ≤400 ms tipico (filtro escluso). Ripple ≤1% (secondo IEC 60688-1, EN 60688-1). Deriva termica totale ≤500 ppm/°C. Carico ≥10kΩ.

Porta RS485/RS422 (a richiesta). Tipo: Multidrop, bidirezionale. Connessione 2 fili. Distanza massima 1000m, terminazione direttamente sullo strumento. Protocolli: MODBUS (247 indirizzi selezionabili dalla tastiera frontale); BACnet MS/TP (numero istanza selezionabile mediante software). Formato dati: 1 bit di start, 8 bit di dati, nessuna parità, 1 bit di stop. Velocità di comunicazione selezionabile: 9,6k, 19,2k, 38,4k, 115,2k bit/s. Dispositivi in rete 1/5 unit load. Massimo 160 dispositivi nella stessa rete.

Porta RS232 (a richiesta). Tipo: bidirezionale. Connessioni 3 fili. Distanza max. 15m. Protocollo MODBUS RTU /JBUS. Formato dati: 1 bit di start, 8 bit di dati, nessuna parità, 1 bit di stop. Velocità di comunicazione selezionabile: 9,6k, 19,2k, 38,4k, 115,2k bit/s. Dispositivi in rete 1/5 unit load. Massimo 160 dispositivi nella stessa rete.

Porta Ethernet/Internet (a richiesta). Protocollo Modbus TCP/IP. Configurazione IP: IP statico / Netmask / Gateway di default. Porta selezionabile (default 502). Connessioni utente Max 5 simultanei. Connessioni RJ45 10/100 BaseTX. Distanza max 100m.

BACnet-IP (a richiesta). Protocollo BACnet-IP (per la lettura delle misure) e Modbus TCP/IP (per la programmazione dei parametri, numero istanza selezionabile mediante software). Configurazione IP: IP statico / Netmask / Gateway di default: Porta BACnet-IP. Fisso: BAC0h. Porta Modbus selezionabile (default 502). Connessioni utenti, solo Modbus: max 5 simultanei. Connessioni: RJ45 10/100 BaseTX. Distanza max 100m.

Temperatura di funzionamento da -25°C a +55°C (da -13°F a 131°F) (U.R. da 0 a 90% senza condensa @ 40°C) secondo EN62053-21 e EN62053-23. **Temperatura di immagazzinamento** da -30°C a +70°C (da -22°F a 140°F) (U.R. < 90% senza condensa @ 40°C) secondo EN62053-21 e EN62053-23. **Categoria di installazione:** Cat. III (IEC60664, EN60664). **Isolamento (per 1 minuto)** 4000 VRMS tra ingressi di misura ed alimentazione. 4000 VRMS tra alimentazione e RS485/uscite digitali. **Rigidità dielettrica** 4000 VRMS per 1 minuto. **Reiezione** CMRR 100 dB, da 48 a 62 Hz. **EMC** secondo EN62052-11. Scariche elettrostatiche 15kV scarica in aria; Immunità campi elettromagnetici irradianti, provato con corrente applicata: 10V/m da 80 a 2000MHz; provato senza corrente applicata: 30V/m da 80 a 2000MHz. Immunità ai transistori veloci, sui circuiti degli ingressi di misura in corrente e tensione: 4kV. Immunità ai radiodisturbi condotti: 10V/m da 150KHz a 80MHz. Immunità ad impulso, sui circuiti degli ingressi di misura in corrente e tensione: 4kV; sull'alimentazione "L": 1kV. Emissioni in radiofrequenza: secondo CISPR 22. **Conformità alle norme:** sicurezza IEC60664, IEC61010-1 EN60664, EN61010-1 EN62052-11. Metrologia: EN62053-21, EN50470-3, EN62053-23. Uscita impulsiva DIN43864, IEC62053-31. Approvazioni: CE, cULus listed. **Connessioni:** a vite. Sezione del cavo: max. 2,5 mm2. Coppia min./max serraggio: 0,4 Nm / 0,8 Nm. Consigliata: 0,5 Nm. **Custodia:** dimensioni (LxAxP). Moduli tipo "A" e "B": 89,5x63x16mm. Modulo tipo "C": 89,5x63x20mm. Ingombro massimo dietro il pannello Con 3 moduli (A+B+C): 81,7 mm. Materiale: nylon PA66, autoestinguenza: UL 94 V-0. Montaggio a pannello. **Grado di protezione:** frontale: IP65, NEMA4x, NEM12. Morsetti: IP20.

DEUTSCH

Relaisausgängen (M O R2). Physisch Ausgänge 2 (max. 1 Modul pro Netzwerk). Funktionsbereich: für Alarm- oder Impulsausgang. Typ Relais, SPDT Typ AC 1-5A bei 250VAC; AC 15-1.5A bei 250VAC DC 12-5A bei 24VDC; DC 13-1.5A bei 24VDC. Konfiguration: Durch die vordere Tastatur: Funktion Die Ausgänge können als Alarmausgänge benutzt werden, aber auch als Impulsausgänge, ferngesteuerte Ausgänge oder in jeder anderen beliebigen Kombination. Alarm: Überschreitung, Unterschreitung verbunden mit virtuellem Alarm, für weitere Einzelheiten siehe Virtuelle Alarme. Min. Ansprechzeit: ≤200ms, (ohne Filter) und Einstellung der Einschalt-zeitverzögerung: "0 s". Impuls Signalweiterübertragung, Gesamt: +kWh, -kWh, +kvarh, -kvarh. Partiiell : +kWh, -kWh, +kvarh, -kvarh. Impulstyp, Die oben aufgelisteten Variablen können mit jedem beliebigen Ausgang verbunden werden. Impulsdauer Programmierbar von 0.001 bis 10,00 kWh/kvarh per Impuls. ≥100ms <120msec (ON), ≥120ms (OFF), gemäß EN62052-31. Ausgägngefernsteuerung Die Aktivierung der Ausgänge wird gehandhabt durch serielle schnittstelle.

Statikausgänge (M O O2). Typ: Opto-Mos. Physisch Ausgänge 2 (max. 1 Modul pro Netzwerk). Funktionsbereich, Für Alarm- oder Impulsausgang. Signal, VON:2.5VAC/DC/max.100mA. VOFF: 260VAC/DC max. Konfiguration au moyen de clavier avant. Fonction: Die Ausgänge können als Alarmausgänge benutzt werden, aber auch als Impulsausgänge, ferngesteuerte Ausgänge oder in jeder anderen beliebigen Kombination. Alarm: Überschreitung, Unterschreitung verbunden mit virtuellem Alarm, für weitere Einzelheiten siehe Virtuelle Alarme. Min. Ansprechzeit ≤200ms, (ohne Filter) und Einstellung der Einschalt-zeitverzögerung: "0 s". Impuls: Signalweiterübertragung. Gesamt: +kWh, -kWh, +kvarh, -kvarh. Partiiell: +kWh, -kWh, +kvarh, -kvarh. Impulstyp: Die oben aufgelisteten Variablen können mit jedem beliebigen Ausgang verbunden werden. Impulsdauer: Programmierbar von 0,001 bis 10,00 kWh/kvarh per Impuls. ≥100ms < 120msec (ON), ≥120ms (OFF), gemäß EN62052-31. Ausgägngefernsteuerung, Die Aktivierung der Ausgänge wird gehandhabt durch serielle schnittstelle.

20mA Analogue Ausgänge (M O A2). Anzahl der Ausgänge 2 (max. 1 Modul pro Netzwerk). Genauigkeit (bei 25°C ±5°C, R.F. ≤60%) ±0,2%BE. Bereich: 0 bis 20mA. Konfiguration, Durch die vordere Tastatur. Signalweiterübertragung: Der Signalausgang kann mit einer beliebigen unmittelbaren Variable. Skalierungsfaktor: Programmierbar innerhalb des gesamten Bereichs der Weiterübertragung: gestattet die Verwaltung der Weiterübertragung aller Werte von 0 bis 20 mADC. Ansprechzeit ≤400 ms typisch (ohne Filter). Wellenstrom: ≤1% (gemäß IEC 60688-1, EN 60688-1). Temperaturdrift insgesamt: ≤500 ppm/°C. Last: ≤600Ω.

10VDC Analogue Ausgänge (M O V2). Anzahl der Ausgänge 2 (max. 1 Modul pro Netzwerk). Genauigkeit (bei 25°C ±5°C, R.F. ≤60%): ±0,2%BE. Bereich: 0 bis 10 VDC. Konfiguration: Durch die vordere Tastatur. Signalweiterübertragung: Der Signalausgang kann mit einer beliebigen unmittelbaren Variable. Skalierungsfaktor: Programmierbar innerhalb des gesamten Bereichs der Weiterübertragung: gestattet die Verwaltung der Weiterübertragung aller Werte von 0 bis 10VDC. Ansprechzeit: ≤400 ms typisch (ohne Filter). Welligkeit (Rippel): ≤1% (gemäß IEC 60688-1, EN 60688-1). Temperaturdrift insgesamt: ≤500 ppm/°C. Last: ≥10kΩ.

Schnittstelle RS485/RS422 (auf Anfrage). Typ: Multidrop, Bidirektional . Anschlüsse: 2-Leiter. Max. Entfernung 1000m, Abschluss direkt am Modul. Protokolle: MODBUS/JBUS (RTU). Protokolle: MODBUS (247 wählbar über die vordere Tastatur); BACnet MS/TP (Instanz-Anzahl wählbar über die Programmiersoftware). Datenformat: 1-Startbit, 8-Datenbits, keine Parität/gerade Parität, ungerade Parität, 1 Stopppbit, Übertragungsgeschwindigkeitk: Wählbar: 9,6k, 19,2k, 38,4k, 115,2k bit/s. Treiber Eingangsimpetanz 1/5 Leistungsaufnahme Maximal Geräte 160 am gleichen Bus.

Schnittstelle RS232 (auf Anfrage). Typ: Bidirektional. Anschlüsse: 3-Leiter. Max. Entfernung 15m. Protokoll: MODBUS RTU /JBUS. Datenformat: 1-Startbit, 8-Datenbits, keine Parität/gerade Parität, ungerade Parität, 1 Stopppbit, Übertragungsgeschwindigkeit. Wählbar: 9,6k, 19,2k, 38,4k, 115,2k bit/s.

Ethernet/Internet Schnittstelle (auf Anfrage). Protokoll: Modbus TCP/IP. IP Konfiguration: Statisch IP / Netzmaske / Standard-Gateway. Schnittstelle: Wählbar (Standard 502). Client Verbindung: Max 5 gleichzeitig. Anschlüsse: RJ45 10/100 BaseTX. Max. Entfernung 100m.

BACnet-IP (auf Anfrage). Protokoll: BACnet-IP (für Messunganzeige) und Modbus TCP/IP (für Parameterprogrammierung, Instanz-Anzahl wählbar über die Programmiersoftware). IP Konfiguration: Statisch IP / Netzmaske / Standard-Gateway. Schnittstelle: BACnet-IP. Fest: BAC0h. Modbus Schnittstelle: Wählbar (Standard 502). Client Verbindung: nur Modbus: Max 5 gleichzeitig. Anschlüsse: RJ45 10/100 BaseTX. Max. Entfernung 100m.

Betriebstemperatur -25°C bis +55°C (-13°F bis 131°F) (R.F. von 0 bis 90% nicht kondensierend bei 40°C) gemäß EN62053-21, EN50470-1 und EN62053-23.

Legertemperatur: -30°C bis +70°C (-22°F bis 158°F) (R.F. < 90% nicht kondensierend bei 40°C) gemäß EN62053-21, EN50470-1 und EN62053-23.

Installationskategorie: Kat. III (IEC60664, EN60664). **Durchschlagfestigkeit:** 4kVAC RMS für 1 Minute. **Rauschdrückungsverhältnis:** GTUV 100 dB, 48 bis 62 Hz. **EMC:** According to EN62052-11. Elektrostatische Entladungen: 15kV air discharge; Strahlungsimmunität: Test mit angelegten Strom: 10V/m von 80 bis 2000MHz; Elektromagnetfeld. Test ohne angelegten Strom: 30V/m von 80 bis 2000MHz; Ladungsimpuls: Am Strom- und Eingangsspannungsmesskreis: 4kV. Leiterstörungsimmunität: 10V/m von 150KHz bis 80MHz. Überspannungsfestigkeit: Strom- und Eingangsspannungsmesskreis: 4kV; an „L“ Hilfsstromversorgungseingang: 1kV; Störausstrahlung Gemäß CISPR 22. **Standardkonformität:** Sicherheit: IEC60664, IEC61010-1 EN60664, EN61010-1 EN62052-11. Messungen: EN62053-21, EN62053-23, EN50470-3. MID "Anhang MI-003". Impulsausgang: DIN43864, IEC62053-31. Zulassungen: CE, cULus "Listed". **Anschlüsse:** Schraubklemmen, Kabelquerschnitt: 2,5 mm2. Min./Max. Anzungsmoment: 0,4 Nm / 0,8 Nm. Empfohlene Anzungsmoment: 0,5 Nm. **Gehäuse DIN** Abmessungen (LxHxB): "A" und "B" Module: 89,5x63x16mm. "C" Module: 89,5x63x20mm. Max. Tiefe hinter der DIN-Schiene Mit 3 Modulen (A+B+C): 81,7 mm. Material ABS, selbstlöschend: UL 94 V-0. Montage: DIN-Schiene. **Schutzgrad:** Vorderseite, IP65, NEMA4x, NEM12. Schraubklemmen: IP20.

FRANÇAIS

Sortie relais (M O R2). Sorties physiques: 2 (max. un module par instrument). Objectif: pour sortie d'alarme ou sortie à impulsions. Type: Relais, type SPDT CA 1-5A @ 250VCA; CA 15-1.5A @ 250VAC. CC 12-5A @ 24VCC; CC 13-1.5A @ 24VCC. Configuration au moyen de clavier avant. Fonction: les sorties peuvent aussi fonctionner en tant que sorties d'alarme, sorties d'impulsion, sorties de contrôle à distance, ou d'autres combinaisons. Alarme: alarme max, alarme min relié aux alarmes virtuelles, d'autres détails voir Alarme virtuelles. Temps de réponse min. ≤200ms, filtre exclu. Point de réglage du délai on-time: "0 s". Impulsion: signal de retransmission Total: +kWh, -kWh, +kvarh, -kvarh. Partiel: +kWh, -kWh, +kvarh, -kvarh. Type d'impulsion: les variables mentionnées ci-dessus peuvent être connectées à n'importe quelle sortie. Durée d'impulsion: programmable de 0,001 à 10,00 kWh/kvarh par impulsion. ≥100ms <120msec (ON), ≥120ms (OFF), selon EN62052-31. Contrôle à distance: l'activation des sorties est gérée à travers le port série de communication.

Sortie statique (M O O2). Type Opto-Mos. Sorties physiques 2 (max. un module par instrument). Objectif: pour sortie d'alarme ou sortie à impulsions. Signal: VON: 2,5VCA/CC/max.100mA. VOFF: 260VCA/CC max. Configuration au moyen de clavier avant. Fonction: les sorties peuvent aussi fonctionner en tant que sorties d'alarme, sorties d'impulsion, sorties de contrôle à distance, ou d'autres combinaisons. Alarme: alarme max, alarme min relié aux alarmes virtuelles, d'autres détails voir Alarme virtuelles. Temps de réponse min. ≤200ms, filtre exclu. Point de réglage du délai on-time: "0 s". Impulsion: signal de retransmission, Total: +kWh, -kWh, +kvarh, -kvarh. Partiel: +kWh, -kWh, +kvarh, -kvarh. Type d'impulsion: les variables mentionnées ci-dessus peuvent être connectées à n'importe quelle sortie. Durée d'impulsion: programmable de 0,001 à 10,00 kWh/kvarh par impulsion. ≥100ms < 120msec (ON), ≥120ms (OFF), selon EN62052-31. Contrôle à distance L'activation des sorties est gérée à travers le port série de communication.

Sorties analogiques 20mA (M O A2). Nombre de sorties 2 (max. un module par instrument). Précision (@ 25°C ±5°C, H.R. ≤60%): ±0,2% PE. Intervalle 0 à 20mA. Configuration au moyen de clavier avant. Signal de retransmission: la sortie du signal peut être connectée à n'importe quelle variable disponible. Facteur d'échelle: programmable dans toute la plage de retransmission ; il permet de gérer la retransmission de toute valeur à partir de 0 à 20 mACC. Temps de réponse: ≤400 ms typique (filtre exclu). Ondulation: ≤1% (selon IEC 60688-1, EN 60688-1). Dérive de température totale ≤500 ppm/°C. Charge: ≤600Ω.

Sorties analogiques 10VCC (M O V2). Nombre de sorties: 2 (max. un module par instrument). Précision (@ 25°C ±5°C, H.R. ≤60%): ±0,2% PE. Intervalle 0 à 10 VDC. Configuration au moyen de clavier avant. Signal de retransmission: la sortie du signal peut être connectée à n'importe quelle variable disponible. Facteur d'échelle: programmable dans toute la plage de retransmission; il permet de gérer la retransmission de toute valeur à partir de 0 à 10VCC. Temps de réponse ≤400 ms typique (filtre exclu). Ripple (ondulation): ≤1% (selon IEC 60688-1, EN 60688-1). Dérive de température totale ≤500 ppm/°C. Charge: ≥10kΩ.

Port RS485/RS422 (sur demande). Type, circuit multipoints, bidirectionnel. Connexions: 2 câbles, Distance max 1000m, Raccordement directement sur le module. Protocoles: MODBUS/JBUS (RTU). Protocoles: MODBUS (247 à sélectionner au moyen du clavier avant); BACnet MS/TP (nombre d'instance sélectionnable par logiciel de programmation). Format de données: 1 bit de départ, 8 bits de données,pas de parité, parité paire, parité impaire, 1 bit de stop. Baud-rate: à sélectionner: 9,6k, 19,2k, 38,4k, 115,2k bit/s. Capacité entrée driver: 1/5 unités en charge. Maximum 160 emetteurs/ récepteurs sur le même bus.

Port RS232 (sur demande). Type bidirectionnel. Connexions: 3 câbles, distance max 15m. Protocole: MODBUS RTU/ JBUS. Format de données: 1 bit de départ, 8 bits de données,pas de parité, parité paire, parité impaire, 1 bit de stop. Baud-rate: à sélectionner: 9,6k, 19,2k, 38,4k, 115,2k bit/s.

Port Ethernet/Internet (sur demande). Protocole: Modbus TCP/IP. Configuration IP: IP statique / Netmask / Portail implicite. Port: à sélectionner (implicite 502). Connexions client Max. 5 simultanément. Connexions: RJ45 10/100 BaseTX. Distance max 100m.

BACnet-IP (sur demande). Protocole: BACnet-IP (pour la lecture de mesure) et Modbus TCP/IP (pour paramètre de programmation, nombre d'instance sélectionnable par logiciel de programmation). Configuration IP: IP statique / Netmask / Portail implicite Port BACnet-IP. Fixe: BAC0h. Port Modbus à sélectionner (implicite 502). Connexions client, seul. Modbus: Max. 5 simultanément. Connexions RJ45 10/100 BaseTX. Distance max.100m.

Température de fonctionnement -25°C à +55°C (-13°F à 131°F) (H.R. de 0 à 90% sans condensation @ 40°C) selon EN62053-21, EN50470-1 and EN62053-23.

Température de stockage -30°C à +70°C (-22°F à 158°F) (H.R. < 90% sans condensation @ 40°C) selon EN62053-21, EN50470-1 and EN62053-23.

Catégorie d'installation Cat. III (IEC60664, EN60664). **Tension diélectrique:** 4kVCA RMS pour 1 minute. **Émission de bruit** CMRR 100 dB, 48 à 62 Hz. **CEM:** selon EN62052-11. Décharges électrostatiques 15kV décharge atmosphérique. Immunité à l'irradiation: test avec courant: 10V/m de 80 à 2000MHz. Champs électromagnétiques: test sans aucun courant: 30V/m de 80 à 2000MHz. Transitoires: sur circuit d'entrées de mesure courant et tension: 4kV. Immunité aux bruits par conduction 10V/m de 150KHz à 80MHz. Surtesion: sur circuit d'entrées de mesure courant et tension: 4kV; sur entrée d'alimentation auxiliaire « L » : 1kV; suppression fréquence radio, selon CISPR 22. **Conformité aux standards:** sécurité IEC60664, IEC61010-1 EN60664, EN61010-1 EN62052-11. Métrologie: EN62053-21, EN62053-23, EN50470-3. MID "annexe MI-003". Sortie impulsion DIN43864, IEC62053-31. **Approbations:** CE, cULus "Listed". **Connexions:** À vis, Section de câbles max. 2,5 mm2. Min./Max. couple de serrage de vis: 0,4 Nm / 0,8 Nm. Couple de serrage de vis recommandé: 0,5Nm. **Boîtier DIN** Dimensions (LxHxD). Modules "A" et "B": 89,5x63x16mm.Modules"C": 89,5x63x20mm. Profondeur max. derrière le panneau. Avec 3 modules (A+B+C): 81,7 mm Matériau ABS, autoextinguible: UL 94 V-0. Montage: montage sur panneau.

Indice de protection: face avant IP65, NEMA4x, NEM12. Terminaisons de vis IP20.

ESPAÑOL

Salidas de relé (M O R2). Salidas físicas: 2 (máx. un módulo por equipo). Finalidad: Para salida de alarma o de pulso. Tipo: Relé, tipo SPDT CA 1-5A a 250VCA; CA 15-1.5A a 250VCA. DC 12-5A a 24VCC; DC 13-1.5A a 24VCC. Configuración: mediante teclado frontal. Función: las salidas pueden funcionar como salidas de alarma,pero también como salidas de pulso, salidas de control remoto o en cualquier otra combinación. Alarmas: alarma de máx., alarma de mín., vinculadas con alarmas virtuales, para más detalles véase: alarmas virtuales. Tiempo mín. respuesta: ≤200ms, filtro excluido. Retardo de activ. punto de consigna: "0s". Pulso: retransmisión de señal, Total: +kWh, -kWh, +kvarh, -kvarh. Parcial: +kWh, -kWh, +kvarh, -kvarh. Salidas de pulso: las anteriores variables pueden conectarse a cualquier salida. Duración del pulso: programable de 0,001 a 10,00 kWh/kvarh por pulso. ≥100ms <120ms (ON), ≥120ms (OFF), según norma EN62052-31. Control remoto: la activación de las salidas se gestiona mediante el puerto de comunicacón.

Salidas estáticas (M O O2). Tipo Opto-Mos. Salidas físicas: 2 (máx. un módulo por equipo). Finalidad: para salida de alarma o de pulso. Señal: VON: 2.5VCA/CC/máx.100mA. VOFF: 260VCA/CC máx. Configuración: mediante teclado frontal. Función: las salidas pueden funcionar también como salidas de alarma, como salidas de pulso, como salidas de control remoto, o en cualquier otra combinación. Alarmas: alarma de máx., alarma de mín., vinculadas con alarmas virtuales, para más detalles véase Alarmas virtuales. Tiempo mín. de respuesta: ≤200ms, filtro excluido. Retardo de activ. punto de consigna: "0s". Pulso: Retransmisión de señal: Total: +kWh, -kWh, +kvarh, -kvarh. Parcial: +kWh, -kWh, +kvarh, -kvarh. Salidas de pulso: las anteriores variables pueden conectarse a cualquier salida. Duración del pulso: programable de 0,001 a 10,00 kWh/kvarh por pulso. ≥100ms < 120ms (ON), ≥120ms (OFF), según norma EN62052-31. Control remoto: la activación de las salidas se gestiona mediante el puerto de comunicación.

Salidas analógicas 20mA (M O A2). Numero de salidas: 2 (máx. un módulo por equipo). Precisión (a 25°C ±5°C, H.R. ≤60%): ±0,2%f.e. Escala: 0 a 20mA. Configuración: mediante teclado frontal. Retransmisión de señal: la salida de la señal puede conectarse a cualquier variable instantánea disponible. Factor de escala: programable en toda la escala de retransmisión; permite controlar la retransmisión de todos los valores desde 0 a 20 mACC. Tiempo de respuesta: ≤400 ms típico (filtro excluido). Ondulación: ≤1% (según normas IEC 60688-1, EN 60688-1). Variación total de temperatura: ≤500 ppm/°C. Carga: ≤600Ω.

Salidas analógicas 10VCC (M O V2). Numero de salidas: 2 (máx. un módulo por equipo). Precisión (a 25°C ±5°C, H.R. ≤60%): ±0,2%f.e. Escala: 0 a 10 VCC. Configuración: mediante el teclado frontal. Retransmisión de señal: la salida de la señal puede conectarse a cualquier variable instantánea disponible. Factor de escala: programable en toda la escala de retransmisión; permite controlar la retransmisión de todos los valores desde 0 a 10VCC. Tiempo de respuesta: ≤400 ms típico (filtro excluido). Rizado: ≤1% (según normas IEC 60688-1, EN 60688-1). Variación total de temperatura: ≤500 ppm/°C. Carga: ≥10kΩ.

Puerto RS485/RS422 (opcional). Tipo: multiterminal, bidireccional. Conexiones: 2 hilos. Distancia máx: 1000m, terminación directamente en el módulo. Protocoles: MODBUS/JBUS (RTU). Protocoles: MODBUS (247 seleccionable a través del teclado frontal); BACnet MS/TP (número de instancia seleccion

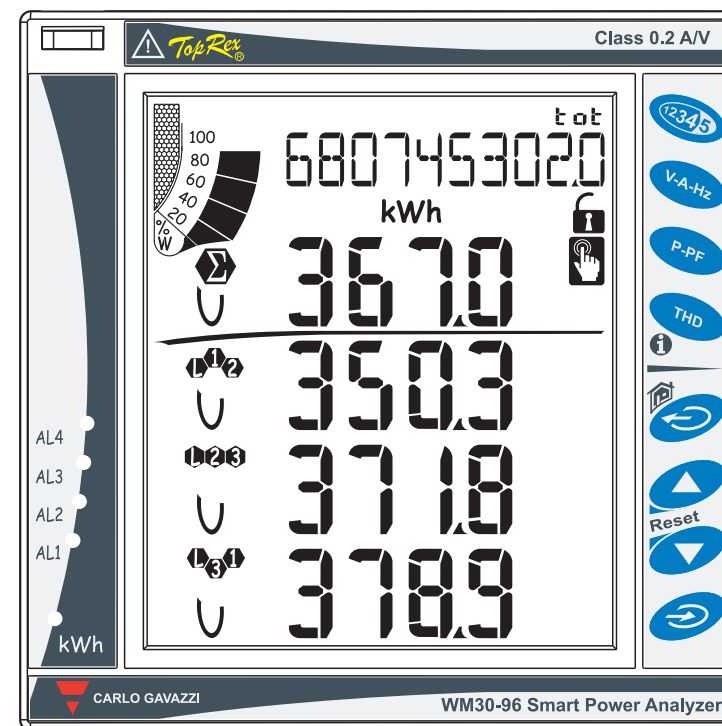


Manuel de l'utilisateur

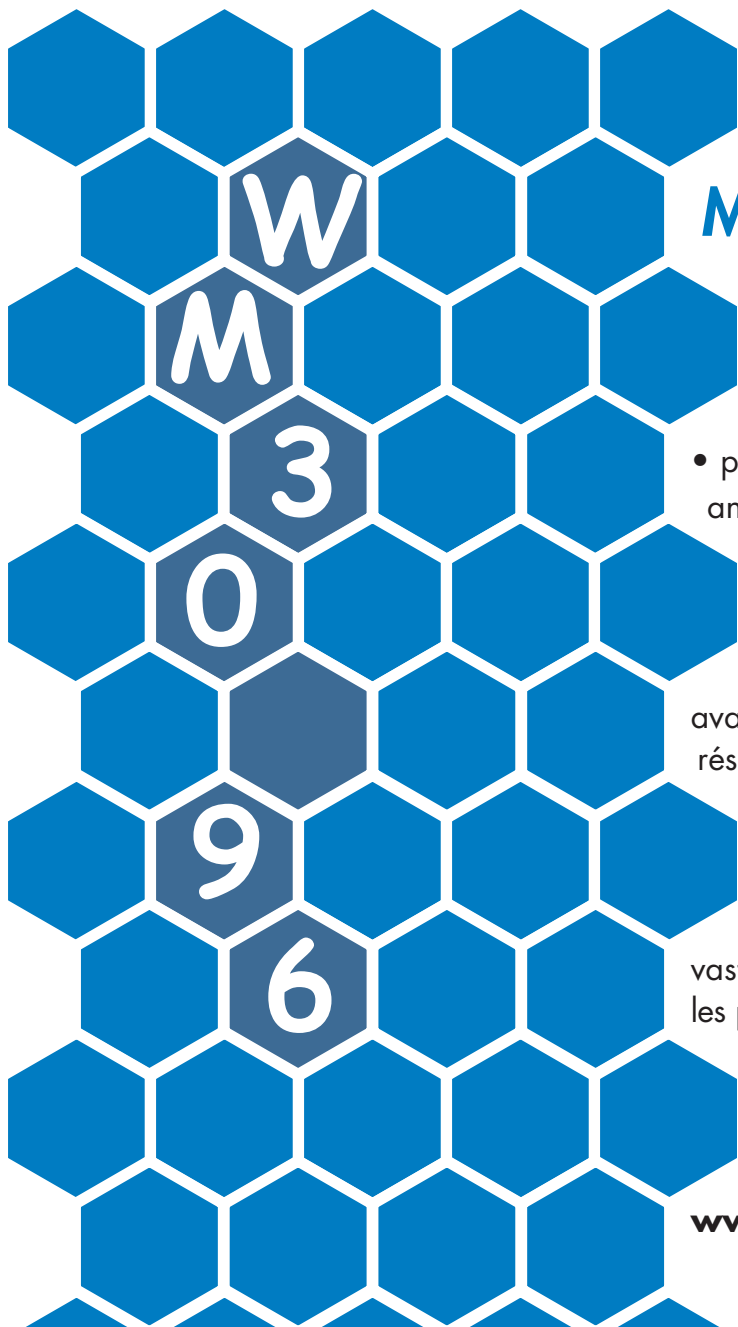
Affichage, Programmation.

Système Modulaire

Classe 0,2 A/V



Control



Merci d'avoir choisi nos produits

WM30 96:

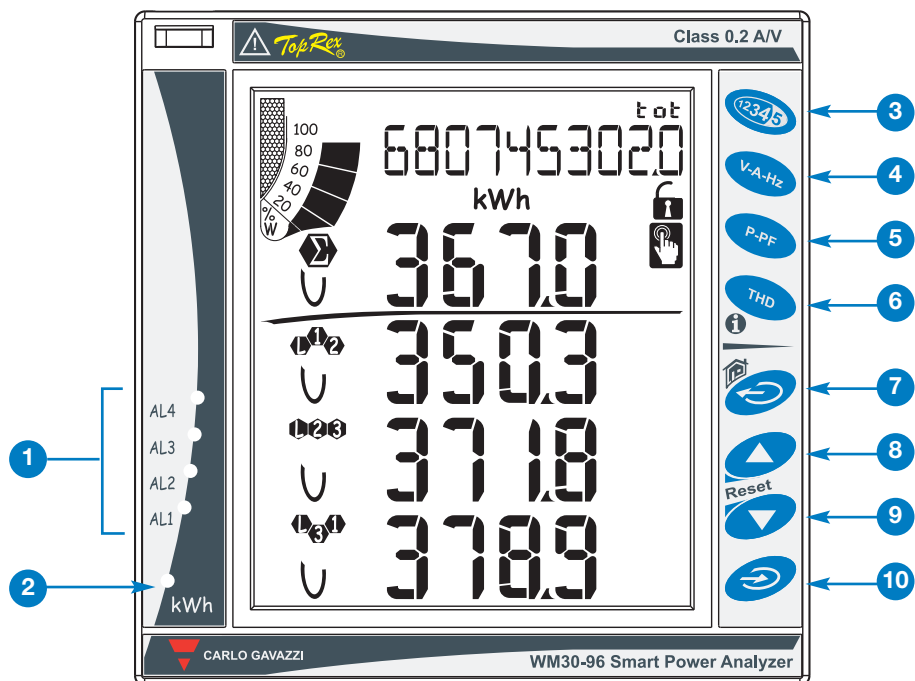
- précision élevée (classe 0,2 A/V);
- prestations de calcul élevées pour une analyse rapide du signal (FFT jusqu'à la 32^{ème} harmonique);
- amples possibilités de connectivité.

WM30-96 est la réponse technologiquement avancée à vos exigences d'analyse de la qualité du réseau.

En outre, vous pouvez compter sur une structure d'entreprise certifiée ISO9001/VISION2000, une expérience de plusieurs décennies et une vaste présence sur le territoire. Tout pour vous offrir les produits et le **service de la meilleure qualité**.

Bienvenus dans le Monde Carlo Gavazzi, en vous remerciant pour votre choix, nous vous invitons à évaluer tous nos produits sur le site:

www.gavazzi-automation.com



DESCRIPTION DE L'INSTRUMENT

- 1 Avertisseurs alarmes virtuelles actifs.
- 2 Indicateur consommation d'énergie (kWh) en cours par l'intermédiaire de clignotement proportionnel à l'énergie mesurée (plus la fréquence de clignotement est haute plus l'énergie consommée est élevée. Fréquence maximale 16Hz selon la réglementation EN5047-1).

Le clavier est divisé en deux zones, la zone supérieure dédiée aux mesures avec accès direct à des pages d'affichage spécifiques.

- 3 Affichage des pages des compteurs: à chaque pression de la touche correspond l'affichage d'une page des compteurs d'énergie différente (voir le tableau avec les pages de mesure reporté ci-après).
- 4 Affichage des tensions courantes et fréquence (voir le tableau avec les pages de mesure reporté ci-après).
- 5 Affichage du $\cos\phi$ et des puissances instantanées (voir le tableau avec les pages de mesure reporté ci-après).
- 6 Affichage des harmoniques, voir le tableau avec les pages de mesure reporté ci-après.

Le clavier de la zone inférieure est dédié spécialement à la programmation de l'instrument.

- 7 Sortie des sous-menus, sortie de la programmation.
- 8 Touche "haut" permet le défilement des menus et l'incrément des valeurs à configurer.
- 9 Touche "bas" permet le défilement des menus et le décrétement des valeurs à configurer.
- 10 Accès au menu de programmation: **presser pendant au moins 2 secondes pour accéder au menu de programmation.**

En mode mesure les touches 8 et 9 permettent l'affichage des valeurs MAX et dmd des variables affichées.

FONCTIONS SUPPLEMENTAIRES DES TOUCHES

Les touches caractérisées par une double icône ont une double fonction, pour accéder à la fonction secondaire presser longuement la touche correspondante à la fonction secondaire désirée.

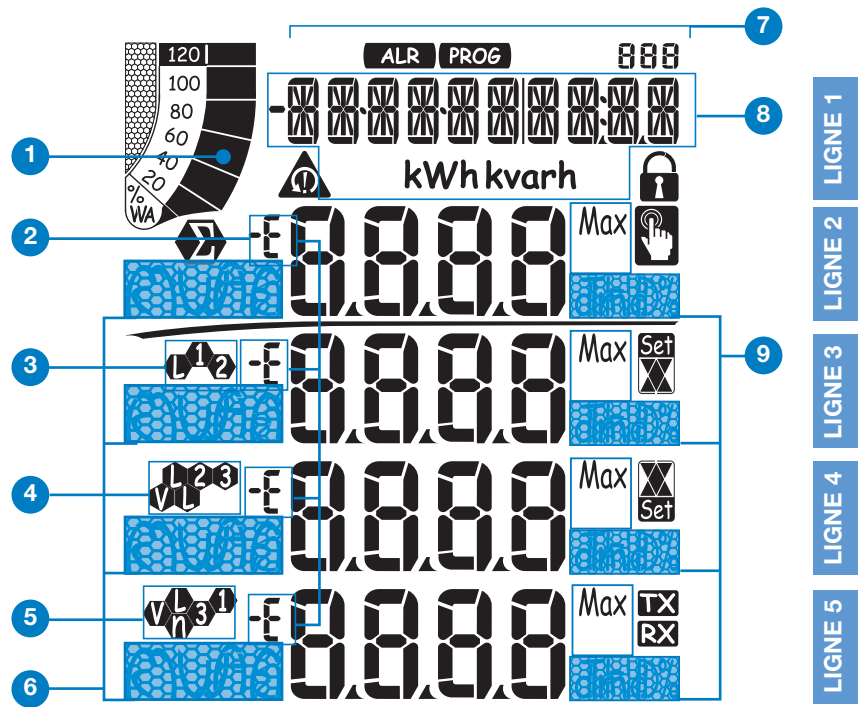
Accès aux pages d'information de l'instrument: réglementations de référence, version du firmware, année de fabrication.

Touche "Home" à partir de n'importe quelle page de mesure, on revient à la page de mesure principale à partir de n'importe quel menu (personnalisable par l'utilisateur). **Si l'on est dans le menu de programmation les données éventuellement insérées ne seront pas sauvegardées.**

En maintenant la touche 8 pressée on accède à la réinitialisation des MAX des variables affichées.
En maintenant la touche 9 pressée on accède à la réinitialisation des dmd des variables affichées.
La réinitialisation doit être confirmée par la touche 10.

Les touches sont de type évolué à effleurement, pour en vérifier l'actionnement effectif une icône spécifique s'allume sur l'afficheur à chaque pression exercée sur une touche quelconque.

Nous vous conseillons d'activer les touches à l'aide de votre index.



DESCRIPTION DE L’AFFICHEUR

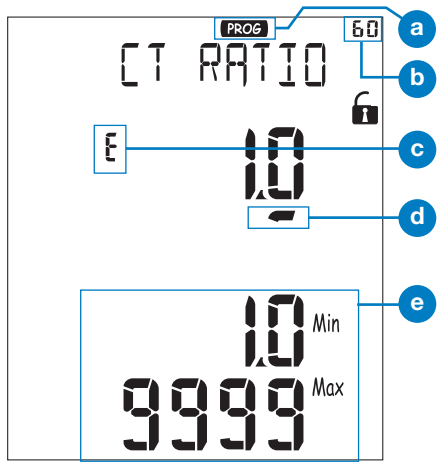
- 1** Barre graphique d’affichage de la puissance active et apparente consommée par rapport à la puissance installée.
- 2** Indications de déphasage inductif L, -L, ou capacitif C, -C de la phase.
- 3** Indication de la mesure phase-neutre L1 ou phase-phase L12.
- 4** Indication de la mesure phase-neutre L2 ou phase-phase L23 ou de l’asymétrie phase-phase VLL.
- 5** Indication de la mesure phase-neutre L3 ou phase-phase L31 ou de l’asymétrie phase-neutre VLn.
- 6** Indication de l’unité d’ingénierie et du multiplicateur: k, M, V, W, A, var (VAr), PF (Pf), Hz, An.
- 7** ALR: le mode d’affichage des alarmes est actif PROG: le mode de programmation est actif.
- 8** Zone dédiée à l’affichage des compteurs et des messages de texte, date et heure (format: jj.mm.aa/hh:mm). Compteurs d’énergie (voir tableau à la page suivante).
- 9** Indication de: dmd, THD%, TDD%, Min ou Max.
- 10** Indique que toutes les valeurs instantanées affichées appartiennent au système.
- 11** Alarme d’erreur séquence phases.
- 12** Programmation instrument activée.
- 13** Programmation instrument bloquée.
- 14** Transmission (TX) et réception (RX) de données, via communication de réseau, en cours.

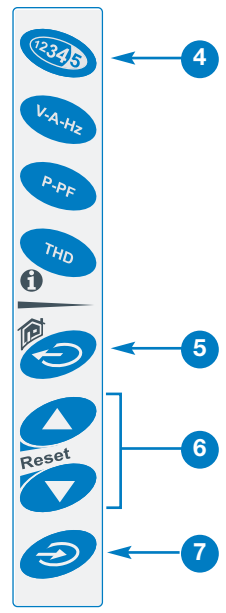
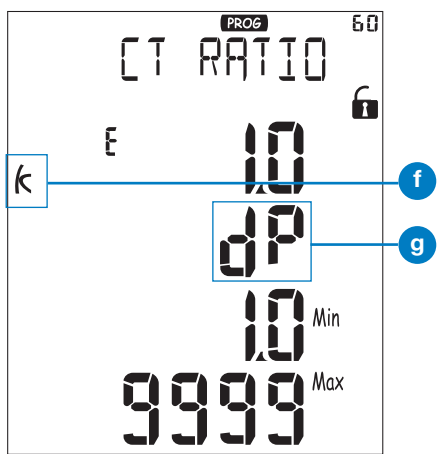
LES ICÔNES DE L’AFFICHEUR



SEUILS D’ALARME	
Alarme haut.	Alarme bas.

Notes: l’afficheur est doté de rétro-éclairage avec temps d’éclairage programmable de 0 minutes (toujours allumé) à 255 minutes.

01

02

03

COMMENT REGLER LES VALEURS

Avec WM30, le réglage des valeurs est encore plus simple, il est possible d'augmenter ou de baisser chaque chiffre, il est possible d'obtenir la valeur désirée ou de passer directement d'un multiplicateur à un autre. Exemple : utilisation du menu relatif au rapport du courant.

- 01** Pendant la phase de programmation, l'instrument fournit des informations utiles:
- a** reconnaissance du mode de programmation;
 - b** numéro d'identification du menu (voir également l'organigramme de programmation);
 - c** modifier, identification de la ligne sujette au réglage;
 - d** curseur qui identifie le chiffre sujet au réglage;
 - e** limite maximum et minimum de la variable sélectionnable.
- 02** Utiliser les touches **6** pour augmenter et diminuer le chiffre détecté par le curseur (**d**). Pour configurer un autre chiffre, déplacer le curseur pour le faire aller sur le chiffre désiré à l'aide de la touche **4**, chaque touche enfoncée correspond à un déplacement vers la gauche du curseur (**d**).
- 03** Quand le dernier chiffre sur la gauche est atteint par le curseur (**d**), une autre pression de la touche **4** permet de changer le point décimal et le multiplicateur (**f**) (k o M), le texte clignotant "dP" (point décimal) (**g**) identifie l'instrument qui est en mesure d'activer cette fonction. Pour modifier la position du point décimal et le multiplicateur, utiliser les touches **6** pour obtenir la valeur souhaitée.
- Pour confirmer la valeur configurée, appuyer sur la touche **7**.
 Pour annuler l'opération en cours et revenir à la condition de départ, appuyer sur la touche **5**.
 Pour annuler l'opération en cours et revenir à la page d'"Accueil" de mesure, appuyer et maintenir enfoncée la touche **5** pendant au moins 2 secondes.

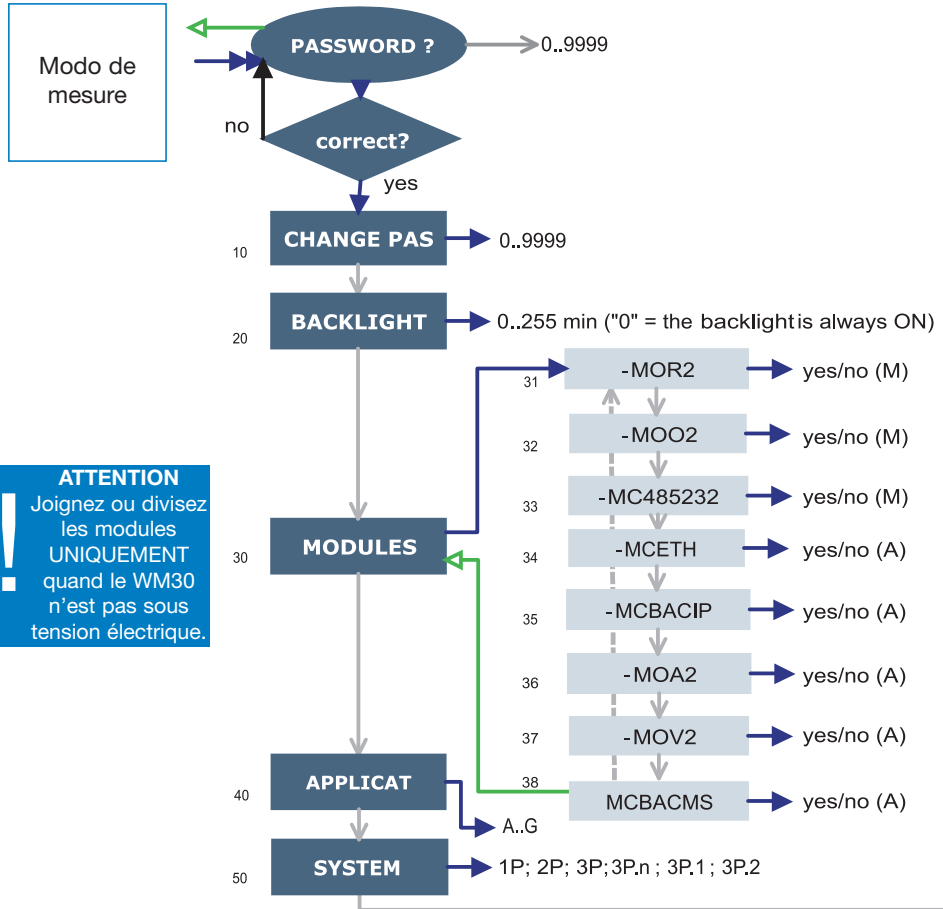
Sélection	Application	Note
A	Répartition des coûts	Compteur d'énergie importée
B	Contrôle des coûts	Compteur d'énergie importée et partielle
C	Répartition des coûts complexe	Énergie importé/exportée (totale et partielle)
D	Solaire	Compteur d'énergie importée et exportée avec quelques fonctions de base de l'analyse de puissance
E	Analyse complexe de coûts et puissance	Énergie importé/exportée (totale et partielle) et analyse de puissance
F	Analyse de qualité puissance et des coûts	Énergie importé et et analyse de qualité de puissance
G	Analyseur avancé énergie et puissance pour génération de puissance	Compteur d'énergie et analyse de qualité de puissance complets

NOTE

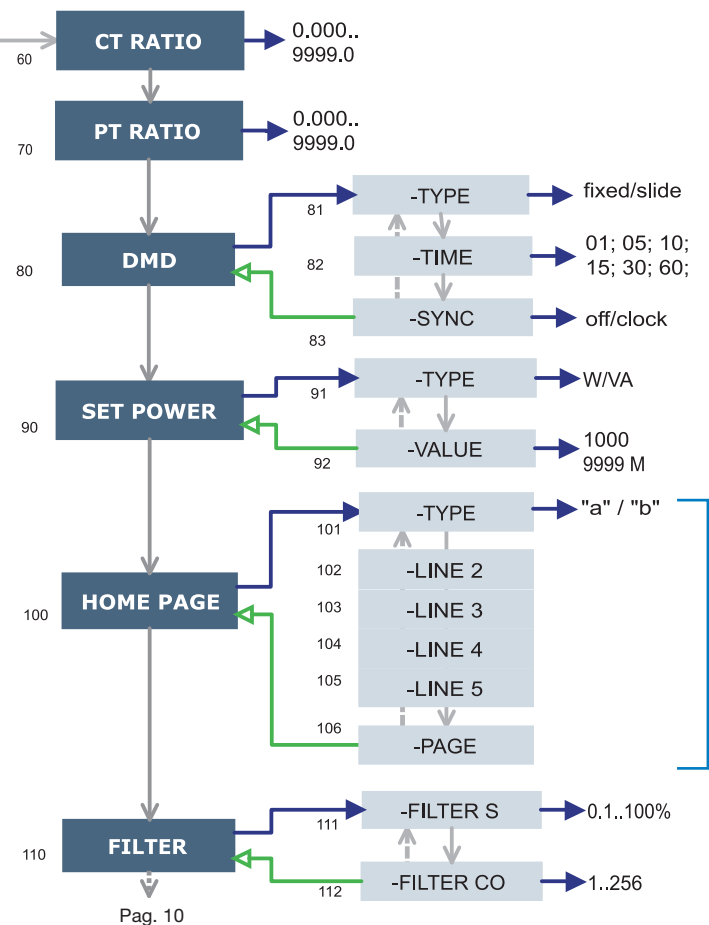
WM30-96 est doté de la fonction "Easy-prog" grâce à laquelle il est possible, de façon simple et rapide, de rendre plus claire et immédiate la lecture des valeurs de l'instrument en rendant disponibles uniquement des variables particulières selon l'application à laquelle l'instrument sera destiné. Les applications disponibles sont décrites ci-dessus. Pour exploiter toutes les capacités de l'instrument sélectionner l'application G qui permettra une analyse de l'énergie électrique complète et détaillée.

	No	Ligne 1	Ligne 2	Ligne 3	Ligne 4	Ligne 5	Note	Applications						
								A	B	C	D	E	F	G
	0	Page d'accueil	Programmable					x	x	x	x	x	x	x
	1	Total kWh (+)	En fonction de la dernière page affichée des variables instantanées.					x	x	x	x	x	x	x
	2	Total kvarh (+)						x	x	x	x	x		
	3	Total kWh (-)							x	x	x		x	
	4	Total kvarh (-)							x	x	x		x	
	5	kWh (+) part.						x	x		x	x	x	
	6	kvarh (+) part.						x	x		x	x	x	
	7	kWh (-) part.							x		x		x	
	8	kvarh (-) part.							x		x		x	
	9	Heures de fonct. (99999999.99)							x	x	x	x	x	
	10	Séq. phase	VLN Σ	VL1	VL2	VL3				x	x	x	x	
	11	Séq. phase	VLN Σ	VL1-2	VL2-3	VL3-1				x	x	x	x	
	12	Séq. phase	An	AL1	AL2	AL3				x	x	x	x	
	13	Séq. phase	Hz	"ASY"	VLL sys (% asy)	VLL sys (% asy)				x	x	x	x	
	14	Séq. phase	VA Σ	VA L1	VA L2	VA L3					x	x	x	
	15	Séq. phase	var Σ	var L1	var L2	var L3					x	x	x	
	16	Séq. phase	W Σ	WL1	WL2	WL3				x	x	x	x	
	17	Séq. phase	PF Σ	PF L1	PF L2	PF L3					x	x	x	
	18	Séq. phase		THD V1	THD V2	THD V3					x	x		
	19	Séq. phase		THD V12	THD V23	THD V31					x	x		
	20	Séq. phase		THD A1	THD A2	THD A3					x	x		

No	Ligne 1	Ligne 2	Ligne 3	Ligne 4	Ligne 5	Note	Applications						
							A	B	C	D	E	F	G
1	Lot n. xxxx	Yr. xx	rEL	A.01	1...60 (min) "dmd"		x	x	x	x	x	x	x
2	Conn. xxx.x (3ph.n/3ph/3ph./3ph.2/1ph/2ph)	CT.rA	1,0 ... 99,99k	Pt.rA	1,0...9999		x	x	x	x	x	x	x
3	LED PULSE kWh	0,001 à 1000 kWh par impulsion					x	x	x	x	x	x	x
4	PULSE OUT1 kWh/kvarh	0,001 à 1000 kWh/kvarh par impulsion	+/- tot/PAr				x	x	x	x	x	x	x
5	PULSE OUT2 kWh/kvarh	xxxx kWh/kvarh par impulsion	+/- tot/PAr				x	x	x	x	x	x	x
6	REMOTE OUT	out1	on/oFF	out2	on/oFF		x	x	x	x	x	x	x
7	AL1	variable	Set 1	Set 2	(mesure)				x	x	x	x	
8	AL2	variable	Set 1	Set 2	(mesure)				x	x	x	x	
9	AL3	variable	Set 1	Set 2	(mesure)				x	x	x	x	
10	AL4	variable	Set 1	Set 2	(mesure)				x	x	x	x	
11	ANALOGUE 1	Hi:E	0,,0 ... 9999k	Hi.A	0,0 ... 100,0%				x	x	x	x	
12	ANALOGUE 2	Hi:E	0,0 ... 9999k	Hi.A	0,0 ... 100,0%				x	x	x	x	
13	COM PORT	Add XXX	...247	bdr	9,6/19,2/ 38,4/115,2		x	x	x	x	x	x	x
14	ADRESSE IP	XXX	XXX	XXX	XXX		x	x	x	x	x	x	x
15	XX•XX•XXIXX:XX	dAtE	tiME				x	x	x	x	x	x	x



ATTENTION
Joignez ou divisez les modules UNIQUEMENT quand le WM30 n'est pas sous tension électrique.



Voir les détails sur la page suivante.



NOTE

10 CHANGE PAS: Cette fonction permet de modifier la valeur de mot de passe avec la nouvelle valeur souhaitée (de 0 à 9999).

20 BACKLIGHT: temps d'extinction du rétro-éclairage de 0 (toujours allumé) à 255 minutes.

30 MODULES: Le WM30 96 supporte la reconnaissance automatique (A) ou manuelle (M) des modules installés, en fonction du type de module.

40 APPLICAT.: cette fonction grâce à laquelle il est possible, de façon simple et rapide, de rendre plus claire et immédiate la lecture des valeurs de l'instrument en rendant disponibles uniquement des variables particulières (page 4/5) selon l'application à laquelle l'instrument sera destiné.

50 SYSTEM: cette fonction permet de sélectionner le type de réseau électrique.

60 CT RATIO: Cette fonction permet de sélectionner la valeur du ratio du TI (ratio primaire/secondaire du transformateur de courant utilisé). Exemple: si le primaire du TI (transformateur ampèremètre) a un courant de 300A, et le secondaire de 5A, le ratio TI correspond à 60 (obtenu par le calcul suivant: 300/5).

70 PT RATIO: Cette fonction permet de sélectionner la valeur du ratio du TT

(ratio primaire/secondaire du transformateur de tension utilisé). Exemple: si le primaire du TT (transformateur de tension/transformateur potentiel) branché est de 20kV et le secondaire de 100V, le ratio TT correspond à 200 (obtenu par le calcul suivant: 20000/100).

80 DMD: Cette fonction permet de sélectionner la méthode de calcul de la valeur moyenne de la variable sélectionnée. 81 TYPE: sélectionne le type de modalité à adopter pour le calcul de la moyenne FIXED: si par exemple un intervalle de temps de 15 minutes est sélectionné, l'instrument calcule la moyenne de la variable mesurée et en actualise la valeur toutes les 15 minutes, après cela, un nouveau calcul est réinitialisé et commence. SLIDE: si par exemple un intervalle de temps de 15 minutes est sélectionné, l'instrument calcule la moyenne et en actualise la valeur initialement après les 15 premières minutes, puis toutes les minutes en générant une fenêtre de 15 minutes de largeur qui avance d'1 minute à la fois. 82 TIME: sélectionne l'intervalle de temps pour le calcul de la moyenne. 83 SYNC: sélectionner la modalité de synchronisation, ou plutôt sélectionner la méthode qui contrôle la modalité de calcul de la moyenne en fonction du temps sélectionné.

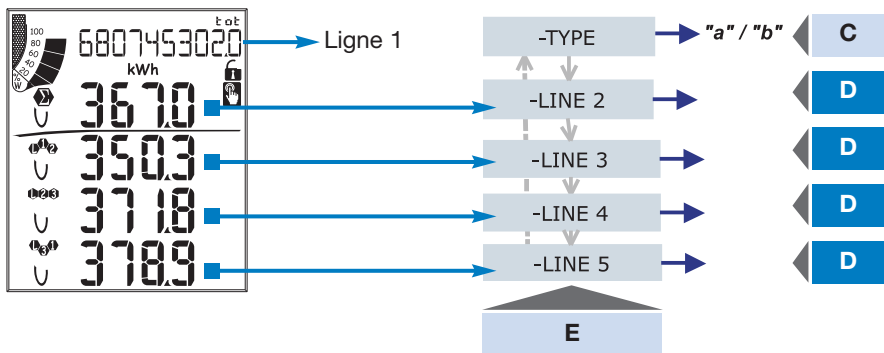
90 SET POWER: Ce menu permet de configurer une valeur de puissance

(puissance installée) qui représentera en phase de mesure 100% de l'indicateur graphique.

100 HOME PAGE: Cette fonction permet de sélectionner les variables à mesurer à la page 00. 101 TYPE: A, seules des variables phase-neutre seront affichées. B, sélectionner une série de variables prédéfinie (voir chapitre correspondant à la page suivante). 106 PAGE: sélectionner une série de variables prédéfinie (voir chapitre correspondant à la page suivante).

110 FILTER: Grâce au filtre numérique, il est possible de stabiliser les mesures qui sont trop inconstantes dans l'affichage de la valeur relative. 111 FILTER S: configurer la gamme d'intervention (spam) du filtre numérique. La valeur est exprimée en % (filtre sur 0.0 signifie filtre exclu). 112 FILTER CO: configurer le coefficient de filtrage des mesures instantanées. Augmenter la valeur permet d'augmenter aussi bien la stabilité que le temps de stabilisation des mesures mêmes.

Certains menus spécifiques apparaissent uniquement dans le cas où les modules correspondants d'appartenance sont installés.



Comment personnaliser la page d'accueil du WM30-96

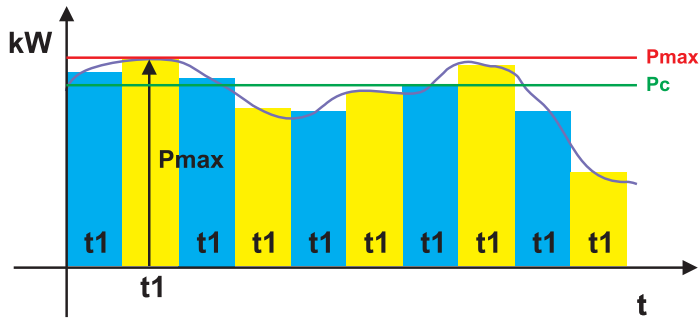
Menu "101 TYPE":
 "a", Vous pouvez sélectionner une variable "système" pour chaque ligne.
 "b", Vous pouvez sélectionner une combinaison de variables présélectionnées en ligne 2 (variables système) et ligne 3 à 5 (variables par phase). De plus, les variables sélectionnées dépendent du système électrique sélectionné, si 1P (une phase) système est sélectionné, les variables disponibles sont différentes.

Note: lorsque le type B est sélectionné toutes les sélections A sur la ligne 3, 4 et 5 ne sont pas applicables.

E	C	D											
	Tableau de sélection	0	1	2	3	4	5	6	7	8	9	10	11
Ligne 2	Type "a"	An	WΣ	varΣ	VAΣ	PFΣ	Hz	An	An	An	An	An	An
	Type "a" avec système 1P	V	A	W	var	VA	PF	Hz	V	V	V	V	V
	Type "b"	Sélectionner une combinaison de variables présélectionnées											
	Type "b" avec système 1P	Sélectionner une combinaison de variables présélectionnées											
Ligne 3	Type "a"	An	WΣ	varΣ	VAΣ	PFΣ	Hz	An	An	An	An	An	An
	Type "a" avec système 1P	V	A	W	var	VA	PF	-	-	-	-	-	-
Ligne 4	Type "a"	VL-LΣ	An	WΣ	varΣ	VAΣ	PFΣ	Hz	-	-	-	-	-
	Type "a" avec système 1P	V	A	W	var	VA	PF	Hz	-	-	-	-	-
Ligne 5	Type "a"	VL-LΣ	An	WΣ	varΣ	VAΣ	PFΣ	Hz	-	-	-	-	-
	Type a avec système 1P	V	A	W	var	VA	PF	Hz	-	-	-	-	-

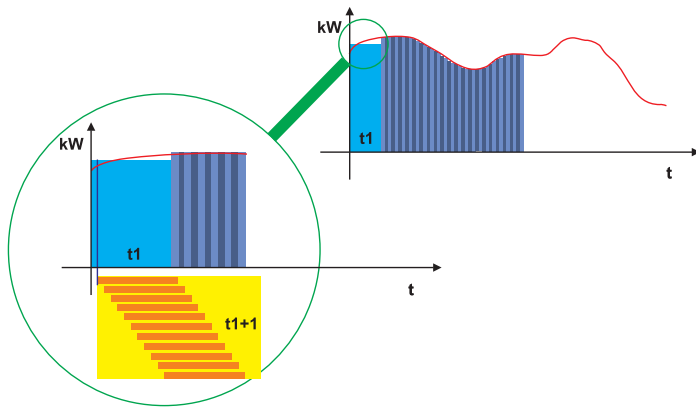
E	D											
	0	1	2	3	4	5	6	7	8	9	10	11
Ligne 2	-	V LN Σ	V LN Σ	An	Hz	VA Σ	var Σ	W Σ	PF Σ	-	-	-
Ligne 3	-	V L1	V L1-2	A L1	"ASY"	VA L1	var L1	W L1	PF L1	THD V1	THD V12	THD A1
Ligne 4	-	V L2	V L2-3	A L2	VLL sys (% asy)	VA L2	var L2	W L2	PF L2	THD V2	THD V23	THD A2
Ligne 5	-	V L3	V L3-1	A L3	VLL sys (% asy)	VA L3	var L3	W L3	PF L3	THD V3	THD V31	THD A3

E	D											
	0	1	2	3	4	5	6	7	8	9	10	11
Ligne 2			V					VA				THD_V
Ligne 3			A					VAR				THD_A
Ligne 4			Hz					W				-
Ligne 5			-					PF				-

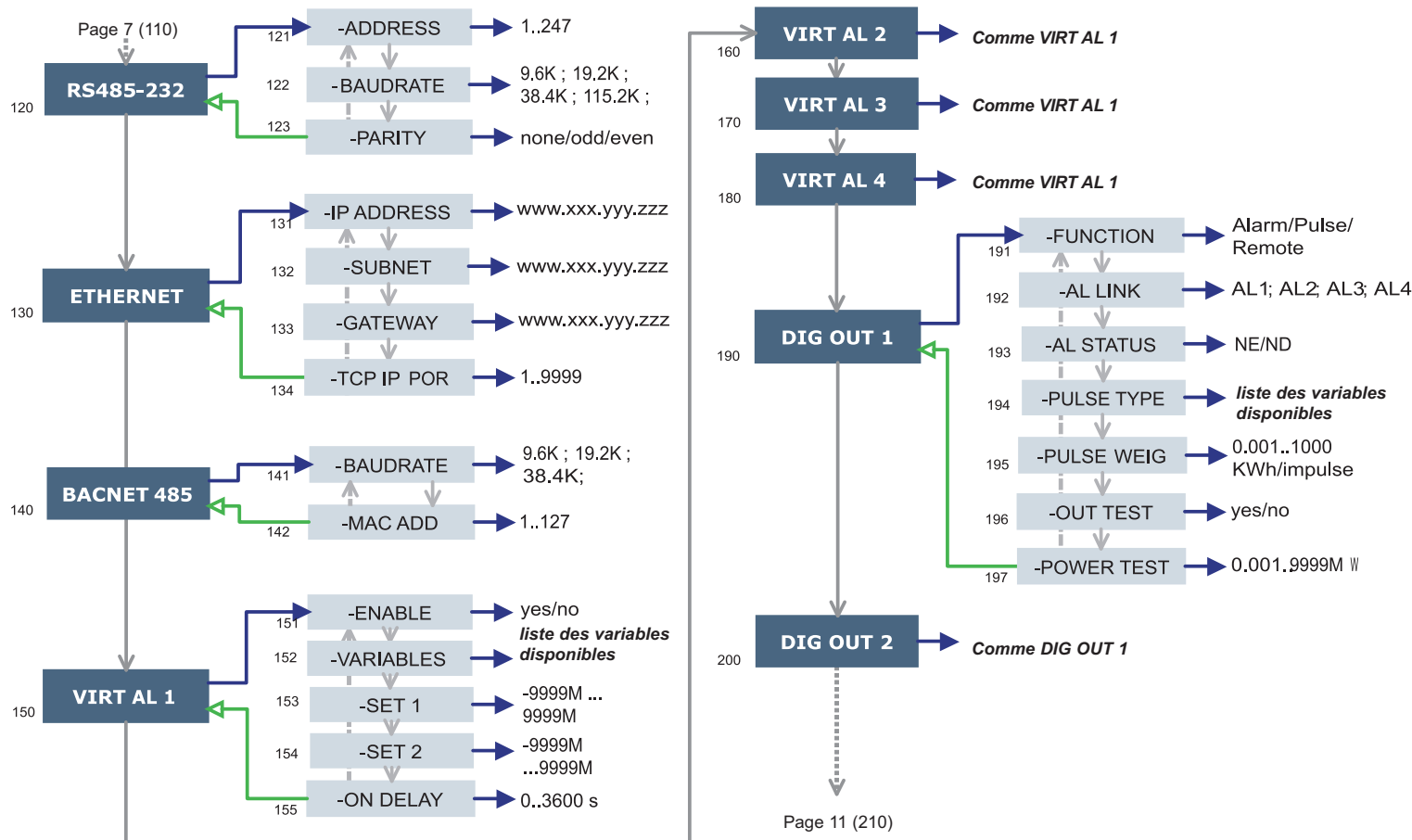


Où:
Pmax est la puissance maximum,
Pc est l'énergie contractuelle,
t1 est la période de temps sélectionné pour le calcul de la valeur moyenne

SÉLECTION FIXE: si par exemple un intervalle de temps de 15 minutes est sélectionné, l'instrument calcule la moyenne de la variable mesurée et en actualise la valeur toutes les 15 minutes.



SÉLECTION MOBILE: si par exemple un intervalle de temps de 15 minutes est sélectionné, l'instrument calcule la moyenne et en actualise la valeur initialement après les 15 premières minutes, puis toutes les minutes en générant une fenêtre de 15 minutes de largeur qui avance d'1 minute à la fois.



Clavier



NOTE

120 RS232-485: Cette fonction permet de configurer les ports de communication série RS232 et RS485 (module MC232485).

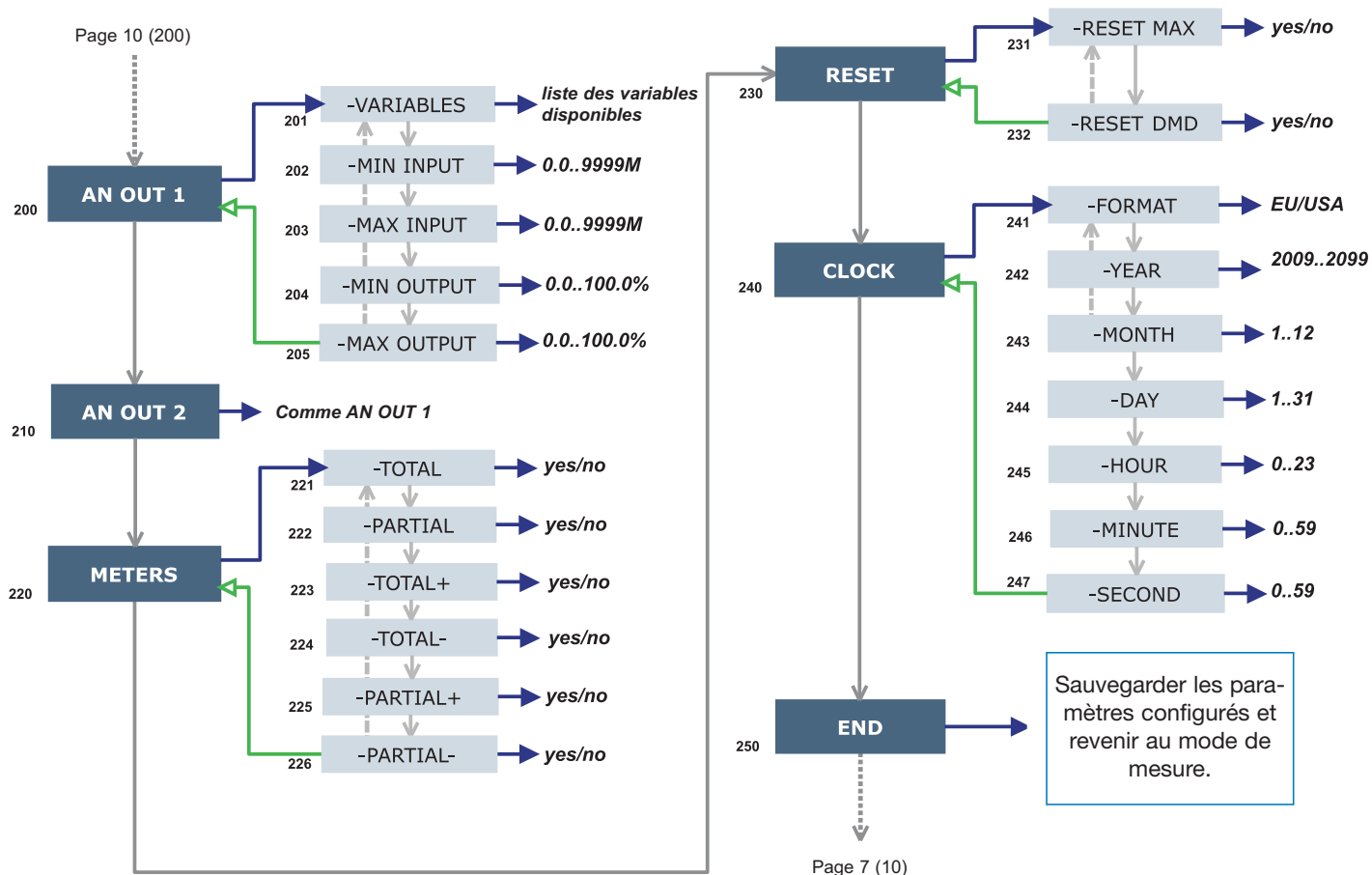
130 ETHERNET: Cette fonction permet la configuration du port de communication ETHERNET. En cas de port BACnet IP, le numéro d'instance BACnet peut être programmé par le logiciel de programmation WM3040Soft seulement.

140 BACNET 485: Cette fonction permet la configuration des paramètres BACnet MS/TP. Le numéro d'instance BACnet peut être programmé par le logiciel de programmation WM3040Soft seulement.

150 VIRT AL 1: Cette fonction permet de configurer les paramètres d'alarme. 151 ENABLE: active (YES) ou désactive (NO) l'alarme. 152 VARIABLES: configurer la variable à associer à l'alarme. 153 SET POINT 1: configurer le premier seuil d'alarme ON de la variable. 154 SET POINT 2: configurer le deuxième seuil d'alarme OFF de la variable. 155 ON DELAY: configurer un retard d'activation de l'alarme.

190 DIG OUT 1: Cette fonction permet de lier une alarme virtuelle à une sortie numérique et à ses paramètres de fonctionnement. 191 FUNCTION: Alarm, la sortie numérique s'active si l'état d'alarme prévu se produit. Pulse, l'énergie mesurée est retransmise par la sortie numérique au moyen d'impulsions. Remote, la sortie numérique peut être activée au moyen d'une commande envoyée par communication série. 192 AL LINK: sélectionner l'alarme virtuelle à laquelle elle doit être liée. 193 AL STATUS: "ND" (relais normalement désactivé) ou "NA" (relais normalement activé). 195 PULSE WEIG: sélectionne le poids de l'impulsion (kWh par impulsion). 196 OUT TEST: activer le TEST (YES), désactiver le TEST (NO). 197 POWER TEST: configure la valeur de puissance (kW) simulée à laquelle correspondra une fréquence des impulsions proportionnelle à cette dernière en fonction du "PULSE WEIG". la fonction est activée jusqu'à ce qu'on reste dans le menu et est utilisée quand la sortie est connectée à un PLC.

Certains menus spécifiques apparaissent uniquement dans le cas où les modules correspondants d'appartenance sont installés.



Clavier



NOTE

210 AN OUT 1: Ce sous-menu permet la programmation des sorties analogiques (0-20mA, 0-10V). 211 VARIABLES: sélectionner la variable à retransmettre au moyen de la sortie analogique. 212 MIN INPUT 202 : valeur minimum de la plage d'entrée de la variable à laquelle la valeur de "MIN OUTPUT" retransmise par la sortie analogique, sera liée. 213 MAX INPUT: valeur maximum de la plage d'entrée de la variable à laquelle la valeur "MAX OUTPUT" retransmise par la sortie analogique, sera liée. 214 MIN OUTPUT: réglez la valeur exprimée en % de la plage de sortie (0-20mA, 0-10V) à lier à la valeur minimum qui a été mesurée. 215 MAX OUTPUT: sélectionnez la valeur exprimée en % de la plage de sortie (0-20mA, 0-10V) à lier à la valeur maximum qui a été mesurée.

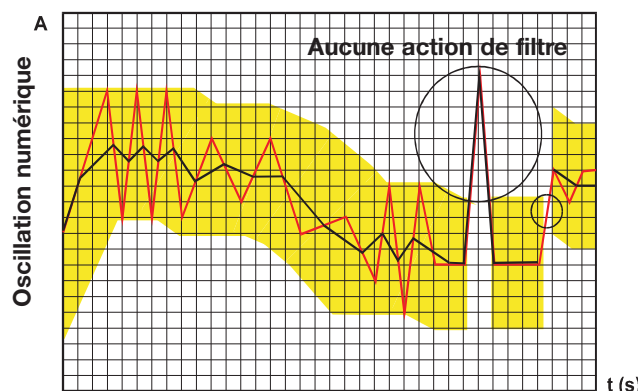
230 METERS: réinitialise les compteurs d'énergie en choisissant entre: TOTALE, PARTIELLE: réinitialise tous les compteurs d'énergie totale et partielle. TOTALE +: réinitialise les compteurs d'énergie totale de l'énergie importée. TOTALE -: réinitialise les compteurs d'énergie totale de l'énergie

exportée. PARTIELLE +: réinitialise les compteurs d'énergie partielle de l'énergie importée. PARTIELLE -: réinitialise les compteurs d'énergie partielle de l'énergie exportée.

240 RESET: remettre à zéro les valeurs MAX ou dmd stockés.

250 CLOCK, 251 FORMAT: UE, règle le format de l'heure européenne par 24h (00:00) ou aux USA, réglez le format de l'heure américaine par 12 h (12:00 AM/PM). 252 YEAR: réglez l'année en cours . 253 MONTH: réglez le mois en cours. 254 DAY: réglez le jour actuel. 255 HOUR: réglez l'heure actuelle. 256 MINUTE : réglez la minute actuelle. 257 SECOND: réglez la seconde actuelle.

Certains menus spécifiques apparaissent uniquement dans le cas où les modules correspondants d'appartenance sont installés.



EXEMPLE DE PROGRAMMATION DU FILTRE NUMÉRIQUE

Exemple 1

Il faut stabiliser la valeur de la variable VL-N visualisée sur l'afficheur, qui oscille entre 222V et 228V.

Les paramètres du filtre numérique doivent être programmés ainsi:

FILTER S: la variable a des fluctuations à l'intérieur de la valeur moyenne d'ampleur équivalente à $\pm 0,75\%$ de la valeur nominale de l'échelle de cette variable (obtenue par le calcul: $(228-222)/2 = \pm 3V$, puis $\pm 3 \cdot 100/400V = \pm 0,75\%$ où 400V est la valeur nominale phase-neutre d'une entrée AV5). Programmer le paramètre "gamme", qui représente le champ d'action du filtre numérique, à une valeur légèrement supérieure à l'ampleur en pourcentage de la fluctuation: p.ex. 1,0%.

FILTER CO: si la nouvelle valeur acquise par l'instrument se trouve dans le champ d'action du filtre, la nouvelle valeur affichée est calculée en additionnant de façon algébrique à la valeur précédente, la variation divisée par le coefficient de filtrage. Par conséquent une valeur supérieure à ce coefficient comporte un temps de stabilisation supérieur et donc une meilleure stabilité. Généralement, pour obtenir un résultat optimal, régler le coefficient de filtrage à une valeur équivalente au moins à 10 fois la valeur du paramètre gamme. Dans l'exemple: $1,0 \cdot 10 = 10$. Pour améliorer la stabilité on peut augmenter le coefficient de filtrage, les valeurs admises sont comprises entre 1 et 255.

QUELLE EST L'INFLUENCE DES PARAMÈTRES DU FILTRE NUMÉRIQUE SUR LA MESURE ?

Le premier paramètre du filtre est **FILTER S** et définit la plage de fonctionnement du filtre. Cette plage de fonctionnement est représentée dans la figure sous la forme d'une bande jaune sur la gauche (chaque petit carré est une valeur numérique). Jusqu'à ce que la valeur mesurée (courbe rouge dans la figure) est à l'intérieur de cette bande, le filtre est actif; dès que la valeur est externe, le filtre est désactivé et une nouvelle bande sera active autour de la nouvelle valeur.

Le conseil pour régler ce paramètre est de regarder la grandeur de l'oscillation (en chiffre) et d'utiliser cette valeur.

Le second paramètre est **FILTER CO** et représente le coefficient de filtrage. Plus le **FILTER CO** est élevé, plus la courbe des valeurs affichées est douce (noire dans la figure). Il n'existe pas de règle théorique pour définir ce paramètre, il doit être réglé sur place: cependant, une suggestion approximative pourrait être celle de commencer avec la même valeur que le coefficient du **FILTER S** et puis de l'augmenter jusqu'à ce que la stabilité désirée soit atteinte.

Le filtre numérique affecte les valeurs retransmises par communication série et sortie analogique.

Exemple 2

Il faut stabiliser la valeur de la Puissance Active de système (W) visualisée sur l'afficheur, qui oscille entre 300kW et 320kW (la charge est connectée à l'instrument par un TI 300/5A et mesure directe de tension).

Les paramètres du filtre numérique doivent être programmés ainsi:

FILTER S: la variable a des fluctuations à l'intérieur de la valeur moyenne d'ampleur équivalente à $\pm 2,78\%$ de la valeur nominale de l'échelle de cette variable. Cette valeur est obtenue par le calcul: $(320-300)/2 = \pm 10kW$, puis $\pm 10 \cdot 100/360kW = \pm 2,78\%$, où 360kW est la valeur nominale de la Puissance Active de système d'une entrée AV5 aux conditions susdites (ratio TI et ratio TT) et obtenu avec la formule suivante: " $VLN \cdot TT \cdot IN \cdot TI \cdot 3$ " où VLN = Tension d'entrée nominale (400V pour l'entrée type AV5), TT= ratio primaire/secondaire du transf. de tension utilisé, IN = Courant nominal (5A pour l'entrée type AV5), TI = ratio primaire/secondaire du transf. ampèremètre utilisé (dans cet exemple $400 \cdot 1 \cdot 5 \cdot 60 \cdot 3 = 360kW$).

Le paramètre "GAMME", qui représente le champ d'action du filtre numérique doit être programmé à une valeur légèrement supérieure à l'ampleur en pourcentage de la fluctuation: p.ex. 3,0%.

FILTER CO: si la nouvelle valeur acquise par l'instrument se trouve dans le champ d'action du filtre, la nouvelle valeur affichée est calculée en additionnant de façon algébrique à la valeur précédente, la variation divisée par le coefficient de filtrage. Par conséquent une valeur supérieure à ce coefficient comporte un temps de stabilisation supérieur et donc une meilleure stabilité. Généralement, pour obtenir un résultat optimal, régler le coefficient de filtrage à une valeur équivalente au moins à 10 fois la valeur du paramètre gamme. Dans l'exemple: $3,0 \cdot 10 = 30$. Pour améliorer la stabilité on peut augmenter le coefficient de filtrage, les valeurs admises sont comprises entre 1 et 255.

Exemple 3.

Il faut stabiliser la valeur de la variable AL1 (courant de phase 1) visualisée sur l'afficheur, qui oscille entre les valeurs 470V et 486V.

Pour pouvoir gérer de la meilleure façon la fonction d'alarme avec consé- quente activation et désactivation du relais, il faut que cette valeur ne soit pas sujette à des oscillations continues. Cet exemple a considéré l'emploi d'un transformateur de courant 500/5A. Les paramètres du filtre numérique doivent être programmés ainsi:

FILTER S: la variable a des fluctuations à l'intérieur de la valeur moyenne d'ampleur d'environ $\pm 1,60\%$ de la valeur nominale d'échelle de cette variable (obtenue par le calcul: $(486-470)/2 = \pm 8A$, puis $\pm 8 \cdot 100/500V = \pm 1,60\%$ où 500A est la valeur référée au primaire du transformateur utilisé). Le paramètre "gamme", qui représente le champ d'action du filtre numérique, doit être programmé à une valeur légèrement supérieure à l'ampleur en pourcentage de la fluctuation: p.ex. 2,0%.

FILTER CO: si la nouvelle valeur acquise par l'instrument se trouve dans le champ d'action du filtre, la nouvelle valeur affichée est calculée en additionnant de façon algébrique à la valeur précédente, la variation divisée par le coefficient de filtrage. Par conséquent une valeur supérieure à ce coefficient comporte un temps de stabilisation supérieur et donc une meilleure stabilité. Généralement, pour obtenir un résultat optimal, régler le coefficient de filtrage à une valeur équivalente au moins à 10 fois la valeur du paramètre gamme. Dans l'exemple: $2,0 \cdot 10 = 20$. Pour améliorer la stabilité on peut augmenter le coefficient de filtrage, les valeurs admises sont comprises entre 1 et 255.

EXEMPLES DE PROGRAMMATION DES SORTIES ANALOGIQUES**La retransmission de la puissance par la sortie analogique 0-20mA est demandée**

Il faut mesurer une puissance consommée jusqu'à 100kW et retransmettre cette valeur par un signal de 4 à 20 mA: le module à utiliser est MOV2 (2x de 0 à 20mA), l'instrument doit être programmé de la façon suivante:

VARIABLE: W_{Σ} (puissance active de système).

MIN OUT: 20,0% pour 4mA, le calcul à faire est: $(100 \cdot \text{sortie minimum}) / \text{sortie de l'échelle totale} = 100 \cdot 4\text{mA} / 20\text{mA} = 20\%$.

MAX OUT: 100,0% pour 20mA, le calcul à faire est: $(100 \cdot \text{sortie maximum}) / \text{sortie de l'échelle totale} = 100 \cdot 20\text{mA} / 20\text{mA} = 100$.

MIN INPUT: 0,0k; les multiples k,M,G peuvent être sélectionnés sur l'instrument selon les valeurs TT et TI sélectionnées.

MAX INPUT: 100,0k; les multiples k,M,G peuvent être sélectionnés sur l'instrument selon les valeurs TT et TI sélectionnées.

La retransmission du FACTEUR de PUISSANCE est demandée (cosφ) à travers la sortie analogique 0-20mA.

Il faut retransmettre l'intervalle entier des valeurs admises par le PF(cosφ) avec signal de 0 à 20mA. Il faut faire attention au fait que la variable PF (cosφ) peut prendre les valeurs comprises entre 0,001 et 1,000 (pour chaque phase) qui, une fois retransmises, prendront respectivement les valeurs 0 et 20mA. Quand le PF (cosφ) prendra une valeur égale à 1 se trouvant au centre entre 0,001 et 1,000 la sortie prendra la valeur de son centre d'échelle, soit 10mA. Par conséquent, programmer l'instrument ainsi:

VARIABLE: PF L1 (ou L2 ou L3 ou PF_{Σ}).

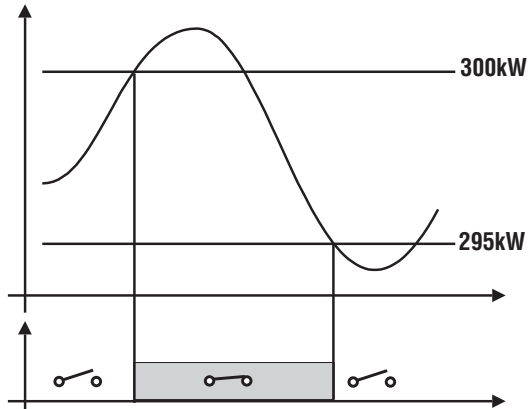
MIN OUT: 0,0%.

MAX OUT: 100,0%.

MIN INPUT: 0,001 (le symbole C indique que la valeur est de type CAPACITIF).

MAX INPUT: 1,001 (le symbole L indique que la valeur est de type INDUCTIF). Il a été choisi de limiter comme minimum de valeur réglable 0,001 pour éviter les oscillations indésirables des répétitions.

EXEMPLES DE PROGRAMMATION DES PARAMÈTRES D'ALARME



La déconnexion d'une charge est demandée une fois dépassée la valeur prédéterminée de puissance absorbée, par exemple, en dépassant les 300kW l'alarme doit intervenir et déconnecter une charge prédéterminée. Sélectionner une alarme de maximum. La programmation conseillée est reportée ci-dessous:

- ACTIVER:** YES
- VARIABLES:** W système (W_{Σ})
- SET POINT 1:** 300kW
- SET POINT 2:** 295kW
- ON DELAY:** régler le nombre de secondes souhaité: "5 secondes".



W

M

3

0

9

6

www.gavazzi-automation.com

Control

**Instruction Manual
Base Instrument**

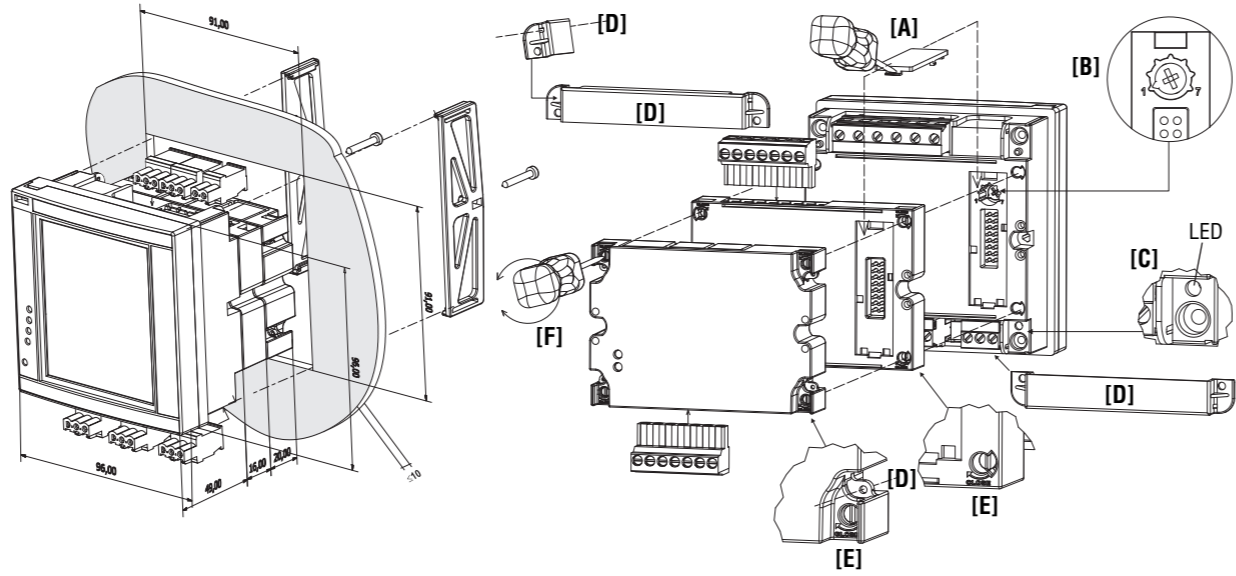
Thank you
for choosing our products.

Grazie
per aver scelto i nostri prodotti.

Wir danken
Ihnen dafür, dass Sie unsere
Produkte gewählt haben.

Gracias
por elegir nuestros productos.

Merci
d'avoir choisi nos produits.



ENGLISH



Read carefully the instruction manual. If the instrument is used in a manner not specified by the producer, the protection provided by the instrument may be impaired. **Maintenance:** make sure that the connections are correctly carried out in order to avoid any malfunctioning or damage to the instrument. To keep the instrument clean, use a slightly damp cloth; do not use any abrasives or solvents. We recommend to disconnect the instrument before cleaning it.

WARNING: to make sure that the screw tightening torque is 0.5Nm. ALL THE MOUNTING AND DISASSEMBLY OPERATIONS OF THE INSTRUMENT AND MODULES HAVE TO OCCUR WHEN POWER SUPPLY AND THE LOADS ARE NOT CONNECTED.

Preliminary operations: if necessary remove the protection cover of the contacts **[A]**, using a properly screwdriver.

Lock the programming and LED of power supply on: to lock the acces to the programming of the instrument turning (clockwise) the rotary switch **[B]** to position 7. To unlock the programming come-back the rotary switch to the position 1. The green LED **[C]** on warns that the instrument is power supplied.

The instrument and modules sealing: to lock the modules turning (clockwise) the properly fixing elements on the corners **[E]**, using a properly screw-driver **[F]**. To seal the instrument use the dedicated covers and holes **[D]**.

WIRING DIAGRAMS

- [1] 3-ph, 2-wire, balanced load, 1-CT connection.
- [2] 3-ph, 2-wire, balanced load, 1-CT and 1-VT/PT connections
- [3] 3-ph, 4-wire, unbalanced load, 3-CT connection
- [4] 3-ph, 3-wire, balanced load, 1-CT and 3-VT/PT connections
- [5] 3-ph, 4-wire, unbalanced load, 3-CT and 3-VT/PT connections
- [6] 3-ph, 3-wire, unbalanced load, 3-CT connection
- [7] 3-ph, 3-wire unbalanced load, 3-CT and 2-VT/PT connections
- [8] 3-ph, 3-wire, balanced load, 1-CT connections
- [9] 3-ph, 3-wire, unbalanced load, 2-CT connections (ARON)
- [10] 3-ph, 3-wire, balanced load, 1-CT and 2-VT/PT connections
- [11] 2-ph, 3-wire, 2-CT connection
- [12] 2-ph, 3-wire, 2-CT and 2-VT/PT connections
- [13] 1-ph, 2-wire, 1-CT connection
- [14] 1-ph, 2-wire, 1-CT and 1-VT connections
- [15] 3-ph, 3-wire, unbalanced load, 2-CT and 2-VT/PT connections ARON
- [16] Power supply 90 to 260VAC/DC. F=250V [T] 630mA.
Power supply 18 to 60VAC/DC. F=250V [T] 3.15A.

ITALIANO



Leggere attentamente il manuale di istruzioni. Qualora l'apparecchio venisse adoperato in un modo non specificato dal costruttore, la protezione prevista dall'apparecchio potrebbe essere compromessa. **Manutenzione:** Per mantenere pulito lo strumento usare un panno inumidito; non usare abrasivi o solventi. Si consiglia di scollegare lo strumento prima di eseguire la pulizia.

ATTENZIONE: assicurarsi che la coppia di serraggio applicata alle viti dei morsetti sia di: 0,5Nm. TUTTE LE OPERAZIONI DI MONTAGGIO E SMONTAGGIO DELLO STRUMENTO E DEI MODULI VANNO ESEGUITE CON ALIMENTAZIONE E CARICO SCOLLEGATI.

Operazione preliminare: smontare, se necessario, la finestra di protezione

dei contatti **[A]**, utilizzando un apposito cacciavite a taglio. **Blocco della programmazione e LED di presenza alimentazione:** per bloccare la programmazione dello strumento agire (ruotandolo in senso orario) sul commutatore rotante **[B]** portandolo nella posizione 7, per sbloccare la programmazione portarlo nella posizione 1. Il LED verde acceso **[C]** avvisa che lo strumento è alimentato. **Sigillatura dei moduli e dello strumento:** per bloccare i moduli agire (ruotandoli in senso orario) sugli appositi elementi di fissaggio posti agli angoli dei moduli stessi **[E]**, utilizzando un adeguato cacciavite a taglio **[F]**. Il sigillo va apposto utilizzando i fori e i copri morsetti dedicati **[D]**.

COLLEGAMENTI ELETTRICI

- [1] 3 fasi, 2 fili, carico equilibrato, connessione con 1 TA
- [2] 3 fasi, 2 fili, carico equilibrato, connessione con 1TA e 1 VT
- [3] 3 fasi, 4 fili, carico squilibrato, connessione con 3 TA
- [4] 3 fasi, 3 fili, carico equilibrato, connessione con 1 TA e 3 VT
- [5] 3 fasi, 4 fili, carico squilibrato, connessione con 3 TA e 3 VT
- [6] 3 fasi, 3 fili, carico squilibrato, connessione con 3 TA
- [7] 3 fasi, 3 fili, carico squilibrato, connessione con 3 TA e 2 VT
- [8] 3 fasi, 3 fili, carico equilibrato, connessione con 1 TA
- [9] 3 fasi, 3 fili, carico squilibrato, connessione con 2 TV (ARON)
- [10] 3 fasi, 3 fili, carico equilibrato, connessione con 1 TA e 2 VT
- [11] 2 fasi, 3 fili, connessioni con 2 TA
- [12] 2 fasi, 3 fili, connessioni con 2 TA e 2 VT
- [13] 1 fase, 2 fili, connessione con 1TA
- [14] 1 fase, 2 fili, connessione con 1 TA e 1 VT
- [15] 3 fasi, 3 fili, carico squilibrato, connessione con 2 TA e 2 TV (ARON)
- [16] Alimentazione da 90 a 260VCA/CC. F=250V [T] 630mA.
Alimentazione da 18 a 60VCA/CC. F=250V [T] 3.15A.

DEUTSCH



Die Betriebsanleitung aufmerksam lesen. Sollte das Gerät nicht gemäss der Herstellerangaben verwendet werden, könnte der vom Gerät vorgesehene Schutz beeinträchtigt werden.

Wartung: Das Gerät mit einem feuchten Tuch reinigen; keine Scheuer- oder Lösemittel verwenden. Das Gerät vor der Reinigung ausschalten

ACHTUNG: Darauf achten, dass das Anzugsmoment der Klemmschrauben 0,5Nm beträgt. SOWOHL BEI DER MONTAGE, ALS AUCH BEIM AUSBAU DES GERÄTES UND DER MODULE MÜSSEN STROMVERSORGUNG UND STROMLAST STETS VORHER ABGETRENNT WERDEN.

Vorbereitung: Gegebenenfalls das Schutzfenster der Kontakte **[A]** mit einem Schlitzschraubenzieher entfernen.

Programmierungssperre und LED Stromversorgung vorhanden: Um die Programmierung des Gerätes zu sperren, den Drehschalter **[B]** im Uhrzeigersinn auf Position 7 drehen, für die erneute Freigabe auf Position 1. Das Leuchten der grünen LED **[C]** zeigt an, dass das Gerät mit Strom versorgt wird.

Versiegelung der Module und des Geräts: Die Befestigung der Module erfolgt (durch Drehen derselben im Uhrzeigersinn) über die an den Ecken vorgesehenen Befestigungselemente **[E]**, mit Hilfe eines passenden Schlitzschraubenziehers **[F]**. Das Siegel wird über die hierfür vorgesehenen Löcher und Klemmendeckel **[D]** angebracht.

ELEKTRISCHE ANSCHLÜSSE

- [1] 3 Phasen, 2 Adern, symmetrische Last, Anschluss mit 1 TA

- [2] 3 Phasen, 2 Adern, symmetrische Last, Anschluss mit 1 TA und 1 VT
- [3] 3 Phasen, 4 Adern, unsymmetrische Last, Anschluss mit 3 TA
- [4] 3 Phasen, 3 Adern, symmetrische Last, Anschluss mit 1 TA und 3 VT
- [5] 3 Phasen, 4 Adern, unsymmetrische Last, Anschluss mit 3 TA und 3 VT
- [6] 3 Phasen, 3 Adern, unsymmetrische Last, Anschluss mit 3 TA
- [7] 3 Phasen, 3 Adern, unsymmetrische Last, Anschluss mit 3 TA und 2 VT
- [8] 3 Phasen, 3 Adern, symmetrische Last, Anschluss mit 1 TA
- [9] 3 Phasen, 3 Adern, unsymmetrische Last, Anschluss mit 2 TV (ARON)
- [10] 3 Phasen, 3 Adern, symmetrische Last, Anschluss mit 1 TA und 2 VT
- [11] 2 Phasen, 3 Adern, Anschlüsse mit 2 TA
- [12] 2 Phasen, 3 Adern, Anschlüsse mit 2 TA und 2 VT
- [13] 1 Phase, 2 Adern, Anschluss mit 1 TA
- [14] 1 Phase, 2 Adern, Anschluss mit 1 TA und 1 VT
- [15] 3 Phasen, 3 Adern, unsymmetrische Last, Anschluss mit 2 TA und 2 TV (ARON)
- [16] Stromversorgung von 90 bis 260 VAC/DC. F=250V [T] 630mA.
Stromversorgung von 18 bis 60 VAC/DC. F=250V [T] 3.15A.

FRANÇAIS



Lire attentivement le manuel de l'utilisateur. Si l'appareil est utilisé dans des conditions différentes de celles spécifiées par le fabricant, le niveau de protection prévu par l'instrument peut être compromis.

Entretien: Pour nettoyer l'instrument, utiliser un chiffon humide; ne pas utiliser d'abrasifs ou de solvants. Il faut déconnecter le dispositif avant de procéder au nettoyage.

ATTENTION: s'assurer que le couple de serrage appliqué aux vis des bornes soit de : 0,5Nm. POUR TOUTES LES OPERATIONS DE MONTAGE ET DÉMONTAGE DE L'INSTRUMENT ET DES MODULES IL FAUT QUE L'ALIMENTATION ET LA CHARGE SOIENT DÉBRANCHÉES.

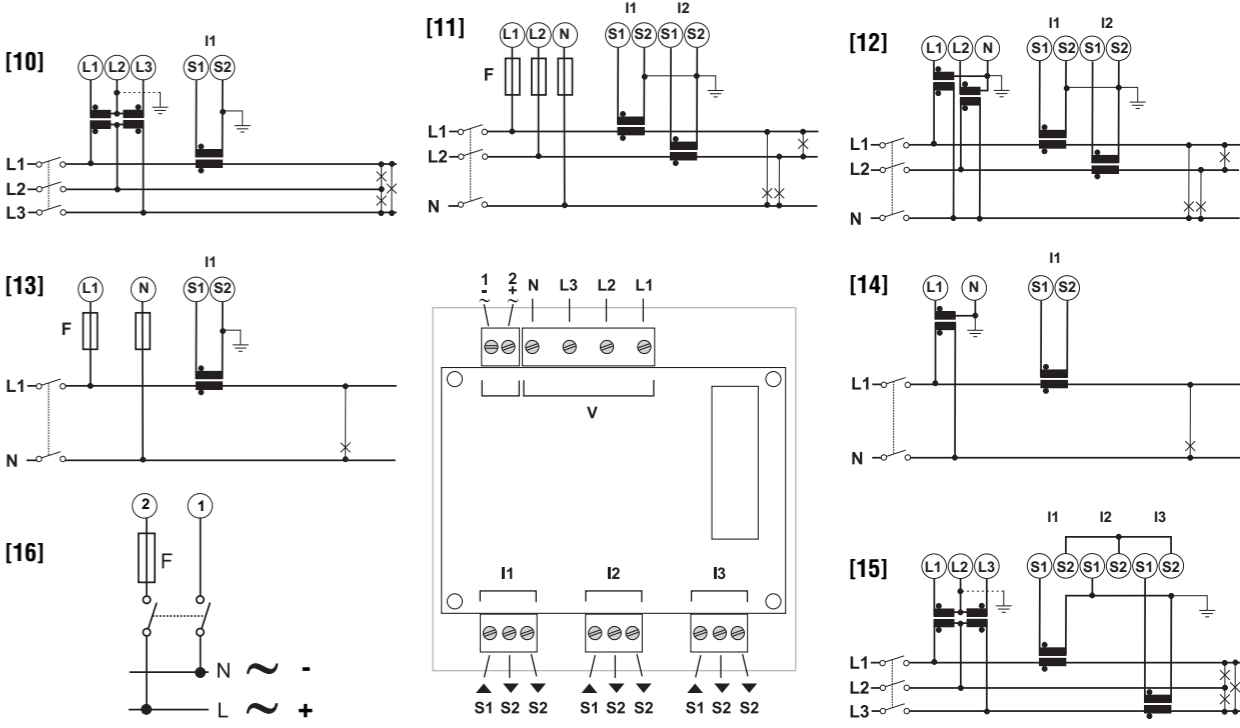
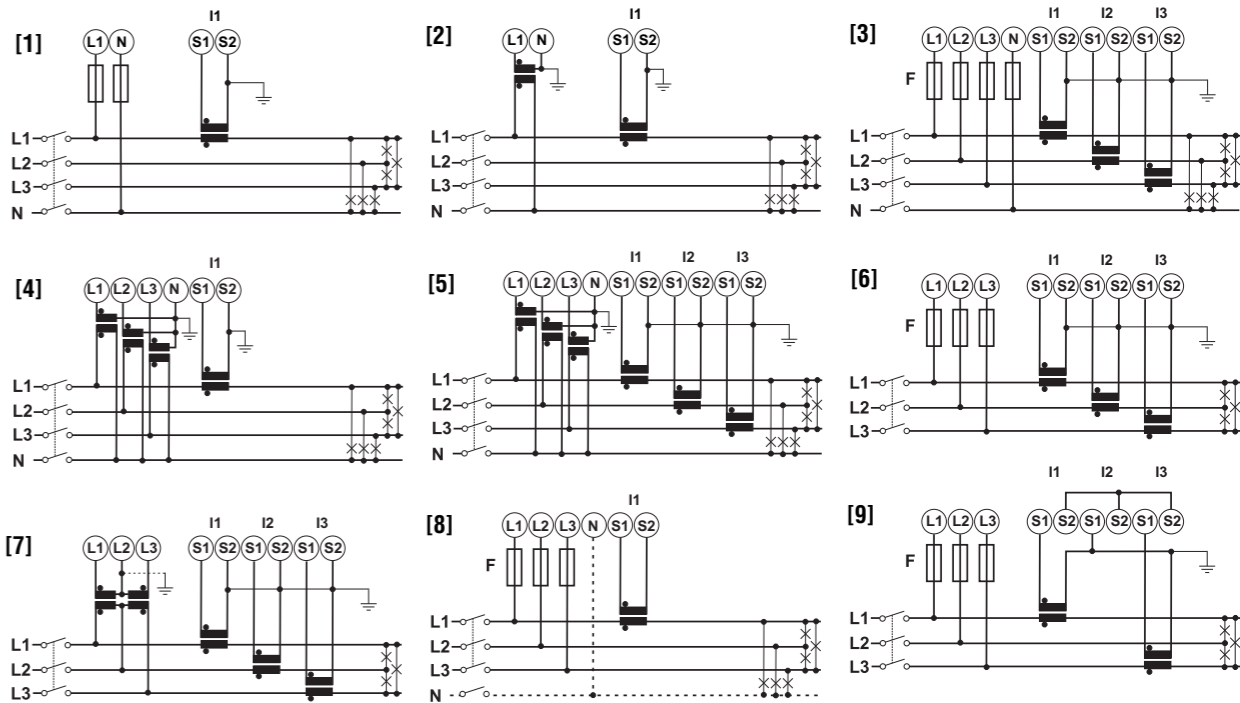
Opération préliminaire: démonter, si nécessaire, la fenêtre de protection des contacts **[A]**, en utilisant un tournevis plat approprié.

Bloqueo de la programación y LED para la presencia d'alimentación: pour bloquer la programmation de l'instrument, agir (en le tournant dans le sens des aiguilles d'une montre) sur le commutateur rotatif **[B]** en le mettant sur la position 7, pour débloquer la programmation, le mettre sur la position 1. Le LED vert allumé **[C]** signale que l'instrument est alimenté.

Sceller les modules et l'instrument: pour bloquer les modules, agir (en les tournant dans le sens des aiguilles d'une montre) sur les éléments de fixation prévus à cet effet, situés aux angles des modules mêmes **[E]**, en utilisant un tournevis plat adéquat **[F]**. Le sceau doit être posé en utilisant les trous et les couvre-bornes prévus pour à cet effet **[D]**.

BRANCHEMENTS ÉLECTRIQUES

- [1] 3 phases, 2 fils, charge équilibrée, connexion avec 1 TA
- [2] 3 phases, 2 fils, charge équilibrée, connexion avec 1TA et 1 VT
- [3] 3 phases, 4 fils, charge déséquilibrée, connexion avec 3 TA
- [4] 3 phases, 3 fils, charge équilibrée, connexion avec 1 TA et 3 VT
- [5] 3 phases, 4 fils, charge déséquilibrée, connexion avec 3 TA et 3 VT
- [6] 3 phases, 3 fils, charge déséquilibrée, connexion avec 3 TA
- [7] 3 phases, 3 fils, charge déséquilibrée, connexion avec 3 TA et 2 VT
- [8] 3 phases, 3 fils, charge équilibrée, connexion avec 1 TA
- [9] 3 phases, 3 fils, charge déséquilibrée, connexion avec 2 TV (ARON)
- [10] 3 phases, 3 fils, charge équilibrée, connexion avec 1 TA et 2 VT
- [11] 2 phases, 3 fils, connexions avec 2 TA
- [12] 2 phases, 3 fils, connexions avec 2 TA et 2 VT



- [13] 1 phase, 2 fils, connexion avec 1TA
- [14] 1 phase, 2 fils, connexion avec 1 TA et 1 VT
- [15] 3 phases, 3 fils, charge déséquilibrée, connexion avec 2 TA et 2 TV (ARON)
- [16] Alimentation de 90 à 260VCA/CC. F=250V [T] 630mA.
Alimentation de 18 à 60VCA/CC. F=250V [T] 3.15A.

ESPAÑOL



Lea atentamente el manual de instrucciones. Si el instrumento se usa de modo distinto al indicado por el fabricante, la protección de seguridad ofrecida por el instrumento podrá resultar dañada. **Mantenimiento:** para limpiar el equipo utilizar siempre un trapo ligeramente humedecido, nunca productos abrasivos o disolventes. Se recomienda desconectar siempre el instrumento antes de limpiarlo.

ATENCIÓN: asegúrese de que el par de apriete aplicado a los tornillos sea de: 0,5Nm. TODAS LAS OPERACIONES DE MONTAJE Y DESMONTAJE DEL INSTRUMENTO Y DE LOS MÓDULOS DEBE REALIZARSE CON LA ALIMENTACIÓN Y LA CARGA DESCONECTADAS.

Operación preliminar: desmonte, si lo necesita, la ventana de protección de los contactos **[A]**, utilizando su propio destornillador de punta plana.

Bloqueo de la programación y LED de alimentación ON: para bloquear la programación del instrumento gire en el sentido de las agujas del reloj el conmutador giratorio **[B]** llevándolo a la posición 7, para desbloquear la programación llévelo a la posición 1. El LED verde encendido **[C]** indica que el instrumento está alimentado.

Sellado de los módulos y del instrumento: para bloquear los módulos gire

en el sentido de las agujas del reloj los específicos elementos de fijación de los extremos de los módulos **[E]**, utilizando un adecuado destornillador de punta plana **[F]**. Para sellar el equipo use las cubiertas y orificios específicos **[D]**.

CONEXIONES ELÉCTRICAS

- [1] Trifásico, 2 hilos, carga equilibrada, conexión mediante 1 CT
- [2] Trifásico, 2 hilos, carga equilibrada, conexión mediante 1 CT y 1 VT/PT
- [3] Trifásico, 4 hilos, carga desequilibrada, conexión mediante 3 CT
- [4] Trifásico, 3 hilos, carga equilibrada, conexión mediante 1 CT y 3 VT/PT
- [5] Trifásico, 4 hilos, carga desequilibrada, conexión mediante 3 CT y 3 VT/PT
- [6] Trifásico, 3 hilos, carga desequilibrada, conexión mediante 3 CT
- [7] Trifásico, 3 hilos, carga desequilibrada, conexión mediante 3 CT y 2 VT/PT
- [8] Trifásico, 3 hilos, carga equilibrada, conexión mediante 1 CT
- [9] Trifásico, 3 hilos, carga desequilibrada, conexión mediante 2 CT (ARON)
- [10] Trifásico, 3 hilos, carga equilibrada, conexión mediante 1 CT y 2 VT/PT
- [11] Bifásico, 3 hilos, conexiones mediante 2 CT
- [12] Bifásico, 3 hilos, conexiones mediante 2 CT y 2 VT/PT
- [13] Monofásico, 2 hilos, conexión mediante 1 CT
- [14] Monofásico, 2 hilos, conexión mediante 1 CT y 1 VT/PT
- [15] Trifásico, 3 hilos, carga desequilibrada, conexión mediante 2 CT y 2 VT/PT (ARON)
- [16] Alimentación de 90 a 260VCA/CC. F=250V [T] 630mA.
Alimentación de 18 a 60VCA/CC. F=250V [T] 3.15A.

CT = Trafo de intensidad, VT = Trafo de tensión, PT = Trafo de potencia

ENGLISH

Rated inputs, system type: 1, 2 or 3-phase. Galvanic insulation by means of built-in CT's. Current range (by CT) AV5 and AV6: 5(6)A; AV4 and AV7: 1(2)A. Voltage (by direct connection or VT/PT) AV4, AV5: 400/690VLL; AV6, AV7: 100/208VLL. **Accuracy** (Display + RS485) (@25°C ±5°C, R.H. ≤60%, 48 to 62 Hz). In: see below, Un: see below AV4 model In: 1A, Imax: 2A; Un: 160 to 480VLN (277 to 830VLL). AV5 model In: 5A, Imax: 6A; Un: 160 to 480VLN (277 to 830VLL). AV6 model, In: 5A, Imax: 6A; Un: 40 to 144VLN (70 to 250VLL), AV7 model In: 1A, Imax: 2A; Un: 40 to 144VLN (70 to 250VLL). Current AV4, AV5, AV6, AV7 models from 0.01In to 0.05In: ±(0,5% RDG +2DGT). From 0.05In to Imax: ±(0,2% RDG +2DGT). Phase-neutral voltage: In the range Un: ±(0,2% RDG +1DGT). Phase-phase voltage: In the range Un: ±(0,5% RDG +1DGT). Frequency: ±0.1Hz (45 to 65Hz). Active and Apparent power: 0.01In to 0.05In, PF 1: ±(1%RDG+1DGT) From 0.05In to Imax PF 0.5L, PF1, PF0.8C: ±(0,5%RDG+1DGT). Power Factor ±[0.001+0.5%(1.000 - “PF RDG”)]. Reactive power 0.1In to Imax, senφ 0.5L/C: ±(1%RDG+1DGT). 0.05In to 0.1In, senφ 0.5L/C: ±(1,5%RDG+1DGT). 0.05In to Imax, senφ 1: ±(1%RDG+1DGT) 0.02In to 0.05In, senφ 1: ±(1,5%RDG+1DGT). Active energy, class 0.5 according to EN62053-22, ANSI C12.20, class C according to EN50470-3. Reactive energy class 1 according to EN62053-23, ANSI C12.1. Start up current AV5, AV6: 5mA. Start up current AV4, AV7 1mA. **Energy additional errors**: according to EN62053-22, ANSI C12.20. Influence quantities, class B or C according to EN50470-3, EN62053-23, ANSI C12.1. **Total Harmonic Distortion (THD)** ±1% FS (FS: 100%). AV4: Imin: 5mARMS; Imax: 15Ap; Umin: 30VRMS; Umax: 585Vp. AV5: Imin: 5mARMS; Imax: 15Ap; Umin: 30VRMS; Umax: 585Vp. AV6: Imin: 5mARMS; Imax: 15Ap; Umin: 30VRMS; Umax: 585Vp. AV7: Imin: 5mARMS; Imax: 15Ap; Umin: 30VRMS; Umax: 585Vp. **Temperature drift** ≤200ppm/°C. **Sampling rate** 3200 samples/s @ 50Hz, 3840 samples/s @ 60Hz. Method TRMS measurements of distorted wave forms. Coupling type by means of CT's. **Crest factor**, AV5, AV6: ≤3 (15A max. peak), AV4, AV7: ≤3 (3A max. peak). **Current Overloads**, continuous (AV5 and AV6) 6A, @ 50Hz. Continuous (AV4 and AV7) 2A, @ 50Hz. For 500ms (AV5 and AV6) 120A, @ 50Hz. For 500ms (AV4 and AV7) 40A, @ 50Hz. **Voltage Overloads**, continuous 1.2 Un. For 500ms 2 Un. **Input impedance**, 400VL-L (AV4 and AV5) >1.6MΩ; 208VL-L (AV6 and AV7) >1.6MΩ. 5(10)A (AV5 and AV6) <0.2VA. 1(2)A (AV4 and AV7) <0.2VA. **Frequency** 40 to 440 Hz. **Meters**. Total 4 (9+1 digit). Partial 4 (9+1 digit). **Pulse output** connectable to total and/or partial meters. **Energy meter recording**, storage of total and partial energy meters. Energy meter storage format (EEPROM) Min. -9,999,999,999.9 kWh/kvarh, Max. 9,999,999,999.9 kWh/kvarh. **Energy Meters**, total energy meters +kWh, +kvarh, -kWh, -kvarh. Partial energy meters +kWh, +kvarh, -kWh, -kvarh. **Analysis principle** FFT. **Harmonic measurement**. Current up to the 32nd harmonic. Voltage up to the 32nd harmonic. **Type of harmonics** THD (VL1 and VL1-N). The same for the other phases: L2, L3. THD (AL1). The same for the other phases: L2, L3. **System**: the harmonic distortion can be measured in 3-wire or 4-wire systems. Tw: 0.02 sec@50Hz without filter. **Power supply** H: 90 to 260VAC/DC; L: 18 to 60VAC/DC (48 to 62Hz). Power consumption AC: 6 VA; DC: 3.5 W.

Operating temperature -25°C to +55°C (-13°F to 131°F) (R.H. from 0 to 90% non-condensing @ 40°C) according to EN62053-21, EN50470-1 and EN62053-23. **Storage temperature** -30°C to +70°C (-22°F to 158°F) (R.H. < 90% non-condensing @ 40°C) according to EN62053-21, EN50470-1 and EN62053-23. **Installation category** Cat. III (IEC60664, EN60664). **Dielectric strength** 4000 VRMS for 1 minute. **Noise rejection** CMRR 100 dB, 48 to 62 Hz. **EMC** according to EN62052-11. Electrostatic discharges: 15kV air discharge. Immunity to irradiated: test with current: 10V/m from 80 to 2000MHz. Electromagnetic fields: test without any current: 30V/m from 80 to 2000MHz. Burst: on current and voltage measuring inputs circuit: 4kV. Immunity to conducted disturbances: 10V/m from 150KHz to 80MHz. Surge: on current and voltage measuring inputs circuit: 4kV; on “L” auxiliary power supply input: 1kV. Radio frequency suppression: according to CISPR 22. **Standard compliance**: safety: IEC60664, IEC61010-1 EN60664, EN61010-1 EN62052-11. Metrology EN62053-21, EN62053-23, EN50470-3. Pulse output: DIN43864, IEC62053-31. **Approvals**: CE, cULus “Listed”. **Connections**: Screw-type. Screw-type. Cable cross-section area: max. 2.5 mm2. Min./max. Screws tightening torque: 0.4 Nm / 0.8 Nm. Suggested: 0.5 Nm. Module holder: 96x96x50mm. “A” and “B” type modules: 89.5x63x16mm. “C” type module: 89.5x63x20mm. Max. depth behind the panel. With 3 modules (A+B+C): 81.7 mm. Material, ABS, self-extinguishing: UL 94 V-0. **Protection degree**, front: IP65, NEMA4x, NEM12. Screw terminals: IP20.

ITALIANO

Ingressi di misura. Sistema: 1, 2 o 3 fasi. Isolamento galvanico median-te TA integrati. Portata corrente (TA) AV5 e AV6: 5(6)A. AV4 e AV7: 1(2)A. Tensione (connesione diretta o TV) AV4, AV5: 400/690VLL; AV6, AV7: 100/208VLL. **Precisione** (Display + RS485) (@25°C ±5°C, R.H. ≤60%, 48 to 62 Hz) In: vedere sotto, Un: vedere sotto, Modello AV4, In: 1A, Imax: 2A; Un: da 160 a 480VLN (da 277 a 830VLL). Modello AV5, In: 5A, Imax: 6A; Un: da 160 a 480VLN (da 277 a 830VLL). Modello AV6 In: 5A, Imax: 6A; Un: da 40 a 144VLN (da 70 a 250VLL). Modello AV7 In: 1A, Imax: 2A; Un: da 40 a 144VLN (da 70 a 250VLL). Corrente, modelli AV4, AV5, AV6, AV7 Da 0,01In a 0,5In: ±(0,5% RDG +2DGT). Da 0,05In a Imax: ±(0,2% RDG +1DGT). Tensione fase-neutro, nel campo Un: ±(0,2% RDG +1DGT). Tensione fase-fase, nel campo Un: ±(0,5% RDG +1DGT). Frequenza ±0,1Hz (da 45 a 65Hz). Potenza attiva ed apparente: da 0,01In a 0,05In, cosφ 1: ±(1% RDG +1DGT), da 0,05In a Imax, cosφ 0,5L, cosφ 1, cosφ 0.8C: ±(0,5% RDG +1DGT). Fattore di potenza: ±[0.001+0.5%(1.000 - “PF RDG”)]. Potenza reattiva, da 0,1In a Imax, senφ 0,5L/C: ±(1%RDG+1DGT), da 0,05In a 0.1In, senφ 0,5L/C: ±(1,5%rRDG+1DGT), da 0.05In a Imax, senφ 1: ±(1%RDG+1DGT), da 0,02In a 0,05In, senφ 1: ±(1,5%RDG+1DGT). Energia attiva: Classe 0,5 secondo EN62053-22, ANSI C12.20 Classe C secondo EN50470-3. Energia reattiva Classe 1 secondo EN62053-23, ANSI C12.1. Corrente di avvio AV5, AV6 5mA. Corrente di avvio AV4, AV7 1mA. **Errori addizionali** secondo EN62053-22, ANSI C12.20. Grandezze di influenza Classe B o C secondo EN50470-3, EN62053-23, ANSI C12.1. **Distorsione armonica totale (THD)**: ±1% FS (FS: 100%), AV4: Imin: 5mARMS; Imax: 15Ap; Umin: 30VRMS; Umax: 585Vp, AV5: Imin: 5mARMS; Imax: 15Ap; Umin: 30VRMS; Umax: 585Vp, AV6: Imin: 5mARMS; Imax: 15Ap; Umin: 30VRMS; Umax: 585Vp, AV7: Imin: 5mARMS; Imax: 15Ap; Umin: 30VRMS; Umax: 585Vp. **Deriva termica**: ≤200ppm/°C. **Frequenza di campionamento**: 3200 campionio/s @ 50Hz, 3840 campionio/s @ 60Hz. **Misure**, metodo TRMS misura delle forma d’onda distorte. Tipo di accoppiamento Mediante TA. **Fattore di cresta** AV5, AV6: ≤3 (15A max. picco) AV4, AV7: ≤3 (3A max. picco). **Sovraccarico corrente**: continuo (AV5 e AV6) 6A, @ 50Hz. Continuo (AV4 e AV7) 2A, @ 50Hz. Per 500ms (AV5 e AV6) 120A, @ 50Hz. Per 500ms (AV4 e AV7) 40A, @ 50Hz. **Sovraccarico**: continuo 1,2 Un. Per 500ms 2 Un. **Impedenza d’ingresso**: 400VLL (AV4 e AV5) >1,6MΩ. 208VLL (AV6 e AV7) >1,6MΩ. 5(10)A (AV5 e AV6) <0.2VA. 1(2)A (AV4 e AV7) <0.2VA. **Frequenza** da 40 a 440 Hz. **Cotatori**: totali, 4 (9+1 digit). Parziali, 4 (9+1 digit). **Uscita impuls**i: associabile ai contatori parziali e/o totali. **Registrazione dei contatori**: memorizzazione dei contatori parziali e totali. Formato dei contatori memorizzati (EEPROM) Min. -9,999,999,999.9 kWh/kvarh. Max. 9,999,999,999.9 kWh/kvarh. **Contatori di energia**: totali, +kWh, +kvarh, -kWh, -kvarh. Parziali, +kWh, +kvarh, -kWh, -kvarh. **Principio dell’analisi** FFT. **Misura dell’armonica**, corrente, fino alla 32a armonica. Tensione, fino alla 32a armonica. **Tip**o di **armoniche** THD (VL1 e VL1-N) lo stesso per le altre fasi: L2, L3. THD (AL1) lo stesso per le altre fasi L2, L3. **Sistema**: la distorsione armonica è misurabile sia in un sistema 3 fili che 4 fili. Tw: 0,02 sec@50Hz senza filtro. **Alimentazione**: H: da 90 a 260VAC/DC; L: da 18 a 60VCA/CC (da 48 a 62Hz). Autoconsumo CA: 6VA; CC: 3,5W.

Temperatura di funzionamento da -25°C a +55°C (da -13°F a 131°F) (U.R. da 0 a 90% senza condensa @ 40°C) secondo EN62053-21 e EN62053-23. **Temperatura di immagazzinamento** da -30°C a +70°C (da -22°F a 140°F) (U.R. <90% senza condensa @ 40°C) secondo EN62053-21 e EN62053-23. **Categoria di installazione**: Cat. III (IEC60664, EN60664). **Isolamento (per 1 minuto)** 4000 VRMS tra ingressi di misura ed alimentazione. 4000 VRMS tra alimentazione e RS485/uscite digitali. **Rigidità dielettrica** 4000 VRMS per 1 minuto. **Reiezione** CMRR 100 dB, da 48 a 62 Hz. **EMC** secondo EN62052-11. Scariche elettrostatiche 15kV scarica in aria; Immunità campi elettromagnetici irradianti, provato con corrente applicata: 10V/m da 80 a 2000MHz; provato senza corrente applicata: 30V/m da 80 a 2000MHz. Immunità ai transistori veloci, sui circuiti degli ingressi di misura in corrente e tensione: 4kV. Immunità ai radiodisturbi condotti: 10V/m da 150KHz a 80MHz. Immunità ad impulso, sui circuiti degli ingressi di misura in corrente e tensione: 4kV; sull'alimentazione “L”: 1kV. Emissioni in radiofrequenza: secondo CISPR 22. **Conformità alle norme**: sicurezza IEC60664, IEC61010-1 EN60664, EN61010-1 EN62052-11. Metrologia: EN62053-21, EN50470-3, EN62053-23. Uscita impulsiva DIN43864, IEC62053-31. Approvazioni: CE, cULus listed. **Connessioni**: a vite. Sezione del cavo: max. 2,5 mm2. Coppia min./max serraggio: 0,4 Nm / 0,8 Nm. Consigliata: 0,5 Nm. **Custodia**: dimensioni (LxAxP) modulo base: 96x96x50mm. Moduli tipo “A” e “B”: 89,5x63x16mm. Modulo tipo “C”: 89,5x63x20mm. Ingombro massimo dietro il pannello Con 3 moduli (A+B+C): 81,7 mm. Materiale: nylon PA66, autoestinguenza: UL 94 V-0. Montaggio a pannello. **Grado di protezione**: frontale: IP65, NEMA4x, NEM12. Morsetti: IP20.

DEUTSCH

Messeingänge: Phasensystem: Systemcode: 1, 2 oder 3. Strommessung: Galvanische Isolation durch integrierte Stromwandler. Strombereich (Stromwandler) AV5 und AV6: 5(6)A. AV4 und AV7: 1(2)A. Spannung (Direktmessung oder Spannungswandler) AV4, AV5: 400/690VLL; AV6, AV7: 100/208VLL. **Genauigkeit** (Anzeige + RS485) (bei 25°C ±5°C, R.F. ≤60%, 48 bis 62 Hz) In: Nennstrom, Un: Nennspannung: Modell AV4, In: 5A, Imax: 2A; Un: 160 bis 480VLN (277 bis 830VLL). Modell AV5, In: 5A, Imax: 6A; Un: 160 bis 480VLN (277 bis 830VLL). Modell AV6, In: 5A, Imax: 6A; Un: 40 bis 144VLN (70 bis 250VLL). Modell AV7, In: 1A, Imax: 2A; Un: 40 bis 144VLN (70 bis 250VLL). Strom Modelle AV4, AV5, AV6, AV7 VON 0,01In bis 0,5In: ±(0,5% RDG +2stellig). Von 0,05In bis Imax: ±(0,2% RDG +2stellig). Spannung Phase - N Bereich Un: ±(0,2% RDG +1stellig). Spannung Phase - Phase Bereich Un: ±(0,5% RDG +1stellig). Frequenz: ±0.1Hz (45 bis 65Hz). Wirk- und Scheinleistung: 0,01In bis 0,05In, PF 1: ±(1%RDG+1stellig). VON 0,05In bis Imax. PF 0.5L, PF1, PF0.8C: ±(0,5%RDG+1stellig). Leistungsfaktor: ±[0,001+0,5%(1,000 - “PF RDG”)]. Blindleistung: 0,1In bis Imax, senφ 0,5L/C: ±(1%RDG+1stellig). 0,05In bis 0,1In, senφ 0,5L/C: ±(1,5%RDG+1stellig). 0,05In bis Imax, senφ 1: ±(1%RDG+1stellig). 0,02In bis 0,05In, senφ 1: ±(1,5%RDG+1stellig). Energie: Klasse 0,5 gemäß EN62053-22, ANSI C12.20. Klasse C gemäß EN50470-3. Blindleistung: Klasse 1 gemäß EN62053-23, ANSI C12.1. Startstrom AV5, AV6 5mA. Startstrom AV4, AV7 1mA. **Zusätzlicher Energiefehler**: gemäß EN62053-22, ANSI C12.20, Bereichsüberschreitungs-abhängig: Klasse B oder C gemäß EN50470-3, EN62053-23, ANSI C12.1. **Gesamte Harmonische Verzerrung (THD)**: ±1% BE (BE: 100%). AV4: Imin: 5mARMS; Imax: 15Ap; Umin: 30VRMS; Umax: 585Vp. AV5: Imin: 5mARMS; Imax: 15Ap; Umin: 30VRMS; Umax: 585Vp. AV6: Imin: 5mARMS; Imax: 15Ap; Umin: 30VRMS; Umax: 585Vp. AV7: Imin: 5mARMS; Imax: 15Ap; Umin: 30VRMS; Umax: 585Vp. **Temperaturdrift**: ≤200ppm/°C. **Abtastrate** 3200 Abtastwertes/s bei 50Hz, 3840 Abtastwertes/s bei 60Hz. Messmethode TRMS-Messungen von verzerrten Wellenformen. Wandleranschluss Durch Stromwandler. **Scheitelwertfaktor**: AV5, AV6: ≤3 (15A Höchstspitze). AV4, AV7: ≤3 (3A Höchstspitze). **Überlaststrom**: Dauer (AV5 und AV6) 6A, bei 50Hz. Dauer (AV4) 2A, bei 50Hz. Für 500ms (AV5 und AV6) 120A, bei 50Hz. Für 500ms (AV4 uund AV7) 40A, bei 50Hz. **Überlastspannung**: Dauer 1,2 Un. Für 500ms 2 Un. **Eingangsimpedanz**: 400VL-L (AV4 und AV5) >1,6MΩ. 208VL-L (AV6 und AV7) >1,6MΩ. 5(10)A (AV5 und AV6) <0,2VA. 1(2)A (AV4 und AV7) <0,2VA. **Frequenz**: 40 bis 440 Hz. **Zähler**: Gesamt 4 (9+1 Ziffern). Partiell 4 (9+1 Ziffern). **Impulsausgang**: Anschließbar an Gesamtund/oder Teilzähler. **Aufzeichnung der Energiemessung**: Aufzeichnung von Gesamt- und Teilenergiemessung. Aufzeichnung von der Energiemessung(EEPROM) Min. -9,999,999,999.9 kWh/kvarh. Max. 9,999,999,999.9 kWh/kvarh. **Energiezähler**: Gesamte Energiezähler +kWh, +kvarh, -kWh, -kvarh. Teilenergiezähler +kWh, +kvarh, -kWh, -kvarh. **Analyseprinzip**: FFT. **Wellenmessung**: Strom Bis zur 32. Harmonischen: Spannung Bis zur 32. Harmonischen. **Wellentypen**: THD (VL1 y VL1-N) Dasselbe für andere Phasen: L2, L3. THD (AL1) Dasselbe für andere Phasen: L2, L3. **System**: Die harmonische Verzerrung kann in Systemen mit 3 oder 4 Leiter gemessen werden. Tw: 0,02 sec@50Hz ohne Filter. **Modelle mit Hilfsstromversorgung**: H: 90 bis 260VAC/DC; L: 18 bis 60VAC/DC (48 bis 62Hz). **Leistungsaufnahme**: AC: 6 VA; DC: 3,5 W. **Betriebstemperatur** -25°C bis +55°C (-13°F bis 131°F) (R.F. von 0 bis 90% nicht kondensierend bei 40°C) gemäß EN62053-21, EN50470-1 und EN62053-23. **Lagertemperatur**: -30°C bis +70°C (-22°F bis 158°F) (R.F. < 90% nicht kondensierend bei 40°C) gemäß EN62053-21, EN50470-1 und EN62053-23. **Installationskategorie**: Kat. III (IEC60664, EN60664). **Durchschlagfestigkeit**: 4kVAC RMS für 1 Minute. **Rauschdrückungsverhältnis**: GTUV 100 dB, 48 bis 62 Hz. **EMC**: According to EN62052-11. Elektrostatische Entladungen: 15kV air discharge; Strahlungsimmunität: Test mit angelegten Strom: 10V/m von 80 bis 2000MHz; Elektromagnetfeld. Test ohne angelegten Strom: 30V/m von 80 bis 2000MHz; Ladungsimpuls: Am Strom- und Eingangsspannungsmesskreis: 4kV. Leiterstörungsimmunität: 10V/m von 150KHz bis 80MHz. Überspannungsfestigkeit: Strom- und Eingangsspannungsmesskreis: 4kV; an „L“ Hilfsstromversorungseingang: 1kV; Störaustrahlung Gemäß CISPR 22. **Standardkonformität**: Sicherheit: IEC60664, IEC61010-1 EN60664, EN61010-1 EN62052-11. Messungen: EN62053-21, EN62053-23, EN50470-3. MID “Anhang MI-003”. Impulsausgang: DIN43864, IEC62053-31. Zulassungen: CE, cULus “Listed”. **Anschlüsse**: Schraubklemmen, Kabelquerschnitt: 2,5 mm2. Min./Max. Anzungsmoment: 0,4 Nm / 0,8 Nm. Empfohlene Anzungsmoment: 0,5 Nm. **Gehäuse DIN** Abmessungen (LxHxB): 96x96x50mm. Tiefe hinter der DIN-Schiene Mit 3 Modulen (A+B+C): 81,7 mm. Material ABS, selbstlöschend: UL 94 V-0. Montage: DIN-Schiene. **Schutzgrad**: Vorderseite, IP65, NEMA4x, NEM12. Schraubklemmen: IP20.

FRAANÇAIS

Entrées nominales. Type de réseau: 1, 2 ou 3-phases. Type de courant: Isolation galvanisée par TC incorporé. Plage de courant (par TC) AV5 et AV6: 5(6)A. AV4 et AV7: 1(2)A. Tension direct ou par TT/TP AV4, AV5: 400/690VLL; AV6, AV7: 100/208VLL. **Précision** (Afficheur + RS485) (@25°C ±5°C, H.R. ≤60%, 48 à 62 Hz) In: voir ci-dessous, Un: voir ci-dessous, Modèle AV4 In: 1A, Imax: 2A; Un: 160 à 480VLN (277 à 830VLL). Modèle AV5 In: 5A, Imax: 6A; Un: 160 à 480VLN (277 à 830VLL). Modèle AV6 In: 5A, Imax: 6A; Un: 40 à 144VLN (70 à 250VLL). Modèle AV7 In: 1A, Imax: 2A; Un: 40 à 144VLN (70 à 250VLL). Courant modèles AV4, AV5, AV6, AV7. De 0,01In à 0,5In: ±(0,5% RDG +2DGT). De 0,05In à Imax: ±(0,2% RDG +2DGT). Tension phase-neutre, Dans l’intervalle Un: ±(0,2% RDG +1DGT). Tension phase-phase, Dans l’intervalle Un: ±(0,5% RDG +1DGT). Fréquence: ±0,1Hz (45 à 65Hz). Puissance active et apparente: 0,01In à 0,05In, PF 1: ±(1%RDG+1DGT). De 0,05In à Imax, PF 0,5L, PF1, PF0,8C: ±(0,5%RDG+1DGT). Facteur de puissance: ±[0,001+0,5%(1,000 - “PF RDG”)]. Ruisance réactive: 0,1In à Imax, senφ 0,5L/C: ±(1%RDG+1DGT). 0,05In à 0,1In, senφ 0,5L/C: ±(1,5%RDG+1DGT). 0,05In à Imax, senφ 1: ±(1%RDG+1DGT). 0,02In à 0,05In, senφ 1: ±(1,5%RDG+1DGT). Energie active: Classe 0,5 selon EN62053-22, ANSI C12.20. Classe C selon EN50470-3. Energie réactive: Classe 1 según norma EN62053-23, ANSI C12.1. Courant de démarrage AV5, AV6: 5mA. Courant de démarrage AV4, AV7: 1mA. **Erreurs additionnelles énergie**: Selon EN62053-22, ANSI C12.20. Quantités influentes: Classe B ou C selon EN50470-3, EN62053-23, ANSI C12.1. **Distorsion harmonique totale (THD)**: ±1% PE (PE: 100%). AV4: Imin: 5mARMS; Imax: 15Ap; Umin: 30VRMS; Umax: 585Vp. AV5: Imin: 5mARMS; Imax: 15Ap; Umin: 30VRMS; Umax: 585Vp. AV6: Imin: 5mARMS; Imax: 15Ap; Umin: 30VRMS; Umax: 585Vp. AV7: Imin: 5mARMS; Imax: 15Ap; Umin: 30VRMS; Umax: 585Vp. **Dérive de température**: ≤200ppm/°C. **Taux d'échantillonnage**: 3200 échantillons/s @ 50Hz, 3840 échantillons/s @ 60Hz. **Mesures**, méthode: mesures TRMS de formes d’ondes déformées. Type de raccordement: au moyen d’un TC. **Facteur de crête**: AV5, AV6: ≤3 (15A pic max), AV4, AV7: ≤3 (3A pic max). **Surcharges de courant**: continu (AV5 et AV6) 6A, @ 50Hz, Continu (AV4) 2A, @ 50Hz. Pour 500ms (AV5 et AV6) 120A, @ 50Hz. Pour 500ms (AV4 et AV7) 40A, @ 50Hz. **Surcharges de tension**, continu 1,2 Un. Pour 500ms 2 Un. **Impédance d’entrée**: 400VL-L (AV4 et AV5) > 1,6MΩ. 208VL-L (AV6 et AV7) > 1,6MΩ. 5(10)A (AV5 et AV6) < 0,2VA. 1(2)A (AV4 et AV7) <0,2VA. **Fréquence**: 40 à 440 Hz. **Compteurs**: total 4 (9+1 digit). Partiel 4 (9+1 digit). **Sortie impulsions**: raccordement possible aux compteurs d’énergie totale et/ou partielle. **Enregistrement du comptage d’énergie**: enregistrement du comptage d’énergie totale et partielle. Enregistrement du comptage d’énergie (EEPROM). Min. -9,999,999,999.9 kWh/kvarh. Max. 9,999,999,999.9 kWh/kvarh. **Compteurs d’énergie**: compteurs d’énergie totale +kWh, +kvarh, -kWh, -kvarh. Compteurs d’énergie partielle +kWh, +kvarh, -kWh, -kvarh. **Principe d'analyse**: FFT. **Mesure des harmoniques**: courant, jusqu'à la 32^{ème} harmonique. Tension, jusqu'à la 32^{ème} harmonique. **Type d'harmoniques**: THD (VL1 et VL1-N) Identique pour les autres phases: L2, L3. THD (AL1) Identique pour les autres phases: L2, L3. **Réseau**: on peut mesurer la distorsion harmonique dans réseaux 3-phases ou 4-phases. Tw: 0.02 sec@50Hz sans filtres. **Versio**n **auto-alimentée**: H: 90 à 260VCA/CC; L: 18 à 60VCA/CC (48 à 62Hz). **Consummation d’énergie**: AC: 6 VA; CC: 3,5 W.

Température de fonctionnement -25°C à +55°C (-13°F à 131°F) (H.R. de 0 à 90% sans condensation @ 40°C) selon EN62053-21, EN50470-1 and EN62053-23. **Température de stockage** -30°C à +70°C (-22°F à 158°F) (H.R. < 90% sans condensation @ 40°C) selon EN62053-21, EN50470-1 and EN62053-23. **Catégorie d'installation** Cat. III (IEC60664, EN60664). **Tension diélectrique**: 4kVCA RMS pour 1 minute. **Émission de bruit** CMRR 100 dB, 48 à 62 Hz. **CEM**: selon EN62052-11. Décharges électrostatiques 15kV décharge atmosphérique. Immunité à l’irradiation: test avec courant: 10V/m de 80 à 2000MHz. Champs électromagnétiques: test sans aucun courant: 30V/m de 80 à 2000MHz. Transitoires: sur circuit d’entrées de mesure courant et tension: 4kV. Immunité aux bruits par conduction 10V/m de 150KHz à 80MHz. Surentension: sur circuit d’entrées de mesure courant et tension: 4kV; sur entrée d'alimentation auxiliaire « L » : 1kV; suppression fréquence radio, selon CISPR 22. **Conformité aux standards**: sécurité IEC60664, IEC61010-1 EN60664, EN61010-1 EN62052-11. Métrologie: EN62053-21, EN62053-23, EN50470-3. MID “annexe MI-003”. Sortie impulsion DIN43864, IEC62053-31. **Approbations**: CE, cULus “Listed”. **Connexions**: À vis, Section de câbles max. 2,5 mm2. Min./Max. couple de serrage de vis: 0,4 Nm / 0,8 Nm. Couple de serrage de vis recommandé: 0,5Nm. **Boîtier DIN** Dimensions (LxHxD): 96x96x50mm. Profondeur max. derrière le panneau. Avec 3 modules (A+B+C): 81,7 mm Matériau ABS, autoextinguible: UL 94 V-0. Montage: montage sur panneau. **Indice de protection**: face avant IP65, NEMA4x, NEM12. Terminaisons de vis IP20.

ESPAÑOL

Entradas de medida. Tipo de sistema: monofásico, bifásico, trifásico. Tipo de entr. de intensidad: aislamiento galvánico mediante CT incorporado. Escala de intens. (mediante CT) AV5 y AV6: 5(6)A. AV4 y AV7: 1(2)A. Tensión (conex. directa o con VT/PT) AV4, AV5: 400/690VLL; AV6, AV7: 100/208VLL. **Precisión** (Display + RS485) (a 25°C ±5°C, H.R. ≤60%, 48 a 62 Hz) In: ver abajo, Vn: ver abajo. Modelo AV4 In: 1A, Imax: 2A; Vn: 160 a 480VLN (277 a 830VLL). Modelo AV5 In: 5A, Imax: 6A; Vn: 160 a 480VLN (277 a 830VLL). Modelo AV6 In: 5A, Imax: 6A; Vn: 40 a 144VLN (70 a 250VLL). Modelo AV7 In: 1A, Imax: 2A; Vn: 40 a 144VLN (70 a 250VLL). Intensidad modelos AV4, AV5, AV6, AV7 De 0,01In a 0,05In: ±(0,5% lec. +2dí) De 0,05In a Imax: ±(0,2% lec. +2dí). Tensión fase-neutro, en la escala Vn: ±(0,2% lec. +1dí). Tensión fase-fase En la escala Vn: ±(0,5% lec. +1dí). Frecuencia: ±0,1Hz (45 a 65Hz). Potencia activa y aparente: 0,01In a 0,05In, PF 1: ±(1%lec.+1dí). De 0,05In a Imax PF 0,5L, PF1, PF0,8C: ±(0,5%lec.+1dí). Factor de potencia (PF): ±[0,001+0,5%(1,000 - “PF lec.”)]. Potencia reactiva: 0,1In a Imax, senφ 0,5L/C: ±(1%lec. +1dí). 0,05In a 0,1In, senφ 0,5L/C: ±(1,5%lec. +1dí). 0,05In a Imax, senφ 1: ±(1%lec. +1dí). 0,02In a 0,05In, senφ 1: ±(1,5%lec. +1dí). Energia activa: Clase 0,5 según norma EN62053-22, ANSI C12.20. Clase C según norma EN50470-3. Energia reactiva: Clase 1 según norma EN62053-23, ANSI C12.1. Intensidad de arranque: AV5, AV6 5mA. Intensidad de arranque: AV4, AV7 1mA. **Errores adicionales de energía**: según norma EN62053-22, ANSI C12.20. Influencia: Clase B o C según norma EN50470-3, EN62053-23, ANSI C12.1. **Distorsion armoónica total (THD)**: ±1% f.e. (f.e.: 100%). AV4: Imin: 5mARMS; Imax: 15Ap; Vmin: 30VRMS; Vmax: 585Vp; AV5: Imin: 5mARMS; Imax: 15Ap; Vmin: 30VRMS; Vmax: 585Vp. AV6: Imin: 5mARMS; Imax: 15Ap; Vmin: 30VRMS; Vmax: 585Vp. AV7: Imin: 5mARMS; Imax: 15Ap; Vmin: 30VRMS; Vmax: 585Vp. **Deriva térmica**: ≤200ppm/°C. **Frecuencia de muestreo**: 3200 lecturas/s a 50Hz, 3840 lecturas/s a 60Hz. **Medidas**, método: medida TRMS de tensión/intensidad de una onda distorsionada. Tipo de conexión: mediante CT. **Factor de cresta**: AV5, AV6: ≤3 (pico máx 15A). AV4, AV7: ≤3 (pico máx 3A). **Protec. contra sobrecargas de intensidad**: Continua (AV5 y AV6) 6A, a 50Hz. Continua (AV4) 2A, a 50Hz. Durante 500ms (AV5 y AV6) 120A, a 50Hz. Durante 500ms (AV4 y AV7) 40A, a 50Hz. **Protec. contra sobrecargas de tensión**: Continua 1,2 Vn. Durante 500ms 2 Vn. **Impedancia de entrada**: 400VL-L (AV4 y AV5) >1,6MΩ. 208VL-L (AV6 y AV7) >1,6MΩ. 5(10)A (AV5 y AV6) <0,2VA. 1(2)A (AV4 y AV7) <0,2VA. **Frecuencia** 40 a 440 Hz. **Medidores**. Total 4 (9+1 dí). Parcial 4 (9+1 dí). **Salida de pulsos**: se puede asociar a los medidores de energía totales y parciales. **Registro del mediador**: almacenamiento del los medidores parciales y totales. Formato de almacenamiento del mediador de energía (EEPROM), Min. -9,999,999,999.9 kWh/kvarh. Máx. 9,999,999,999.9 kWh/kvarh. **Medidores de energia**: medidores de energía total +kWh, +kvarh, -kWh, -kvarh. Medidores de energía parcial +kWh, +kvarh, -kWh, -kvarh. **Método de análisis**: FFT. **Medida de armónicos**: Intensidad Hasta armónico nº32. Tensión: Hasta armónico nº32. **Tipo de armónicos**: THD (VL1 y VL1-N) lo mismo para las

Instruction Manual Modules WM30/WM40

Thank you
for choosing our products.

Grazie
per aver scelto i nostri prodotti.

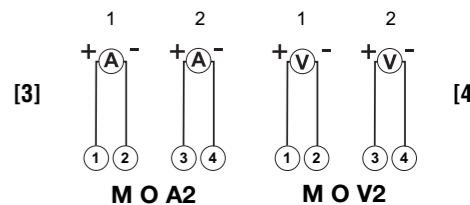
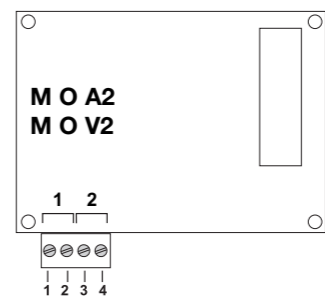
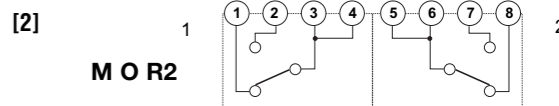
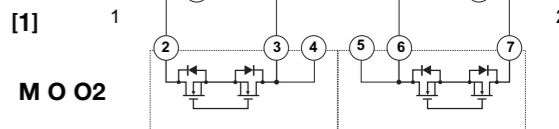
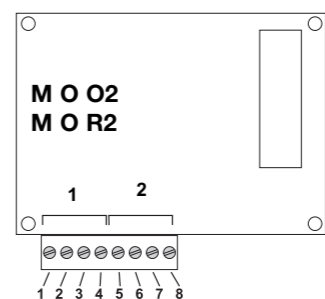
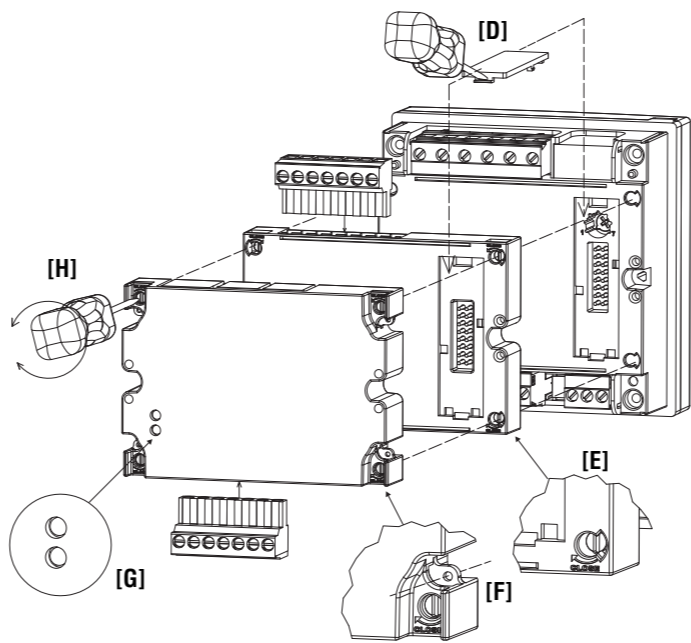
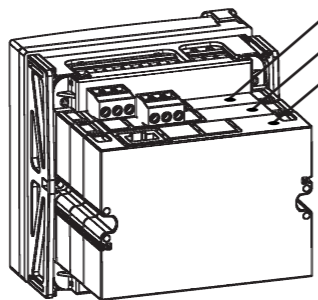
Wir danken
Ihnen dafür, dass Sie unsere
Produkte gewählt haben.

Gracias
por elegir nuestros productos.

Merci
d'avoir choisi nos produits.



Tab.1	A	B	C
M O O2, [1]	X		
M O R2, [2]	X		
M O A2, [3]		X	
M O V2, [4]		X	
M C 485 232, [5], [6]			X
M C ETH			X
M C BACnet-IP			X
MC BAC MS			X



ENGLISH

Read carefully the instruction manual. If the instrument is used in a manner not specified by the producer, the protection provided by the instrument may be impaired. **Maintenance:** make sure that the connections are correctly carried out in order to avoid any malfunctioning or damage to the instrument. To keep the instrument clean, use a slightly damp cloth; do not use any abrasives or solvents. We recommend to disconnect the instrument before cleaning it.

WARNING: it allows to mount only one module per type, for a maximum of 3 modules in total. To avoid any damage respect the position of the modules as shown on table 1. To make sure that the screw tightening torque is 0.5Nm. ALL THE MOUNTING AND DISASSEMBLY OPERATIONS OF THE INSTRUMENT AND MODULES HAVE TO OCCUR WHEN POWER SUPPLY AND THE LOADS ARE NOT CONNECTED.

■ WIRING DIAGRAMS

- [1] 2 static opto-mosfet outputs.
- [2] 2 relays outputs.
- [3] 2 analogue outputs 20mA DC.
- [4] 2 analogue outputs 10V DC.
- [5] RS485 serial port. **IMPORTANT:** additional devices provided with RS485 are connected in parallel. The termination of the serial output is carried out only on the last instrument of the network, by means of a jumper between B+ and T.
- [6] RS232 serial port. **IMPORTANT:** the termination must be done by means of a jumper between B+ and T.

A: the communication RS232 and RS485 ports **can't be** connected and used simultaneously. **MC BAC MS module is only supplied with RS485.** To connect the ethernet or BACnet-IP modules using the RJ45 connector.

[G] The communication modules are provided with LED indicating the communication status RX or TX.
Preliminary operations: remove the protection cover of the contacts **[D]**, using a properly screwdriver.
Lock and sealing the modules: to lock the modules turning (clockwise) the properly fixing elements on the corners **[E]**, **[F]**, using a properly screwdriver **[H]**. To seal the instrument use the dedicated holes **[F]**.

ITALIANO

Leggere attentamente il manuale di istruzioni. Qualora l'apparecchio venisse adoperato in un modo non specificato dal costruttore, la protezione prevista dall'apparecchio potrebbe essere compromessa. **Manutenzione:** Per mantenere pulito lo strumento usare un panno inumidito; non usare abrasivi o solventi. Si consiglia di scollegare lo strumento prima di eseguire la pulizia.
ATTENZIONE: è possibile montare un unico modulo per tipo, per un massimo di tre moduli in totale. Per evitare malfunzionamenti rispettare la posizione dei moduli come indicato dalla tabella 1. Porre attenzione alla coppia di serraggio applicata alle viti dei morsetti che sia di: 0,5Nm. TUTTE LE OPERAZIONI DI MONTAGGIO E SMONTAGGIO DELLO STRUMENTO E DEI MODULI VANNO ESEGUITE CON ALIMENTAZIONE E CARICO SCOLLEGATI.

■ COLLEGAMENTI ELETTRICI

- [1] Doppia uscita statica a opto-mosfet.
- [2] Doppia uscita statica a relè.
- [3] Doppia uscita analogica a 20mA CC.
- [4] Doppia uscita analogica a 10V CC.
- [5] Uscita porte seriali RS485. **IMPORTANTE:** ulteriori strumenti provvisti di RS485 sono collegati in parallelo. La terminazione dell'uscita seriale dev'essere eseguita solo sull'ultimo strumento della rete mediante un ponticello tra i morsetti B+ e T.
- [6] Uscita porte seriali RS232. **IMPORTANTE:** eseguire la terminazione mediante un ponticello tra i morsetti B+ e T.

A: le porte di comunicazione RS232 e RS485 **non possono** essere usate e connesse insieme. **Il modulo MC BAC MS è provvisto della sola porta RS485.** Per COLLEGARE i moduli con uscita ethernet o BACnet-IP utilizzare l'apposito conettore RJ45.
[G] Il modulo di comunicazione è provvisto di appositi LED segnalanti lo stato di comunicazione RX o TX.
Operazione preliminare: smontare la finestra di protezione dei contatti **[D]**, utilizzando un apposito cacciavite a taglio.
Bloccaggio e sigillatura dei moduli: per bloccare i moduli agire sugli appositi elementi di fissaggio posti agli angoli dei moduli stessi **[F]**, **[E]**, utilizzando un adeguato cacciavite a taglio **[H]**. Il sigillo va apposto utilizzando i fori dedicati **[F]**.

DEUTSCH

Die Betriebsanleitung aufmerksam lesen. Sollte das Gerät nicht gemäß der Herstellerangaben verwendet werden, könnte der vom Gerät vorgesehene Schutz beeinträchtigt werden.
Wartung: Das Gerät mit einem feuchten Tuch reinigen; keine Scheuer- oder Lösemittel verwenden. Das Gerät vor der Reinigung ausschalten.
ACHTUNG: Pro Typ kann nur ein einziges Modul montiert werden, d.h. insgesamt maximal drei Module. Um Störungen zu vermeiden, sollte die Position der Module gemäß Tabelle 1 eingehalten werden. Außerdem ist darauf zu achten, dass das Anzugsmoment der Klemmschrauben 0,5Nm beträgt. SOWOHL BEI DER MONTAGE, ALS AUCH BEIM AUSBAU DES GERÄTES UND DER MODULE MÜSSEN STROMVERSORGUNG UND STROMLAST STETS VORHER ABGETRENNT WERDEN.

■ ELEKTRISCHE ANSCHLÜSSE

- [1] Doppelter statischer Ausgang Opto-mosfet.
- [2] Doppelter statischer Ausgang Relais.
- [3] Doppelter analoger Ausgang 20mA DC.
- [4] Doppelter analoger Ausgang 10V DC.
- [5] Ausgang serielle RS485-Anschlüsse. WICHTIG: Weitere mit RS485 ausgestattete Geräte sind parallel angeschlossen. Der Endverschluss des seriellen Ausgangs darf nur am letzten Gerät des Netzes mit einer Überbrückung zwischen den Klemmen B+ und T durchgeführt werden.
- [6] Ausgang serielle RS232-Anschlüsse. WICHTIG: Der Endverschluss muss mit einer Überbrückung zwischen den Klemmen B+ und T durchgeführt werden.

A: Die Kommunikationsanschlüsse RS232 und RS485 können nicht gemeinsam verwendet und angeschlossen werden. **Das MC BAC MS Modul wird nur mit RS485 geliefert.**

Für den ANSCHLUSS der Module an den Ethernet- oder BACnet-IP-Ausgang den dafür vorgesehenen RJ45-Stecker verwenden.
[G] Das Kommunikationsmodul ist mit entsprechenden LED ausgestattet, die den Kommunikationsstatus RX oder TX anzeigen.
Vorbereitung: Das Schutzfenster der Kontakte **[D]** mit einem Schlitzschraubenzieher entfernen.
Befestigung und Versiegelung der Module: Die Befestigung der Module erfolgt über die an den Ecken derselben vorgesehenen Befestigungselemente **[F]**, **[E]**, mit Hilfe eines passenden Schlitzschraubenziehers **[H]**. Das Siegel wird über die hierfür vorgesehenen Löcher **[F]** angebracht.

FRANÇAIS

Lire attentivement le manuel de l'utilisateur. Si l'appareil est utilisé dans des conditions différentes de celles spécifiées par le fabricant, le niveau de protection prévu par l'instrument peut être compromis. **Entretien:** Pour nettoyer l'instrument, utiliser un chiffon humide; ne pas utiliser d'abrasifs ou de solvants. Il faut déconnecter le dispositif avant de procéder au nettoyage.
ATTENTION: il est possible de monter un module unique par type, avec un maximum de trois modules au total. Afin d'éviter les dysfonctionnements, respecter la position des modules comme l'indique le tableau 1. Faire attention à ce que le couple de serrage appliqué aux vis des bornes soit de : 0,5Nm. POUR TOUTES LES OPÉRATIONS DE MONTAGE ET DÉMONTAGE DE L'INSTRUMENT ET DES MODULES IL FAUT QUE L'ALIMENTATION ET LA CHARGE SOIENT DÉBRANCHÉES.

■ BRANCHEMENTS ÉLECTRIQUES

- [1] Double sortie statique à opto-mosfet.
- [2] Double sortie statique à relais.
- [3] Double sortie analogique à 20mA CC.
- [4] Double sortie analogique à 10V CC.
- [5] Sortie ports série RS485. IMPORTANT: d'autres instruments pourvus de RS485 sont branchés en parallèle. La terminaison de la sortie série doit se faire uniquement sur le dernier instrument du réseau au moyen d'un cavalier entre les bornes B+ et T.
- [6] Sortie ports série RS232. IMPORTANT: procéder à la terminaison au moyen d'un cavalier entre les bornes B+ et T.

A: les ports de communication RS232 et RS485 ne peuvent pas être utilisés et branchés ensemble. **Le module MC BAC MS est fourni uniquement avec RS485.** Pour BRANCHER les modules avec sortie Ethernet ou BACnet-IP utiliser le connecteur RJ45 prévu à cet effet.
[G] Le module de communication est pourvu de LED spécifiques qui signalent l'état de communication RX ou TX.

Opération préliminaire: démonter la fenêtre de protection des contacts **[D]**, en utilisant un tournevis plat approprié.
Bloquer et sceller les modules: pour bloquer les modules, agir sur les éléments de fixation prévus à cet effet, situés aux angles des modules mêmes **[F]**, **[E]**, en utilisant un tournevis plat approprié **[H]**. Poser le sceau en utilisant les trous spécifiques prévus **[F]**.

ESPAÑOL

Lea atentamente el manual de instrucciones. Si el instrumento se usa de modo distinto al indicado por el fabricante, la protección de seguridad ofrecida por el instrumento podrá resultar dañada. **Mantenimiento:** para limpiar el equipo utilizar siempre un trapo ligeramente humedecido, nunca productos abrasivos o disolventes. Se recomienda desconectar siempre el instrumento antes de limpiarlo.

ATENCIÓN: es posible montar un solo módulo por tipo, para un total máximo de tres módulos. Para evitar daños respete la posición de los módulos tal como se indica en la tabla 1. Ponga cuidado en que el par de apriete aplicado sea de: 0,5Nm. TODAS LAS OPERACIONES DE MONTAJE Y DESMONTAJE DEL INSTRUMENTO Y DE LOS MÓDULOS DEBE REALIZARSE CON LA ALIMENTACIÓN Y LA CARGA DESCONECTADAS.

■ CONEXIONES ELÉCTRICAS

- [1] Doble salida estática opto-mosfet.
- [2] Doble salida estática de relé.
- [3] Doble salida analógica de 20mA CC.
- [4] Doble salida analógica de 10V CC.

Tab. 2	A	B	C	D	E	F	G
A	-	4kV	4kV	4kV	4kV	4kV	4kV
B	4kV	2kV	NA	4kV	4kV	4kV	4kV
C	4kV	NA	2kV	4kV	4kV	4kV	4kV
D	4kV	4kV	4kV	-	4kV	4kV	4kV
E	4kV	4kV	4kV	4kV	0kV	4kV	4kV
F	4kV	4kV	4kV	4kV	4kV	-	4kV
G	4kV	4kV	4kV	4kV	4kV	4kV	-

A= Measuring input - Ingressi di misura - Messeingänge - Entrées de mesure - Entr. de medida.
B= Relay outputs - Uscita relè - Relaisausgänge - Sorties à relais - Salidas de relé.
C= Static outputs - Uscita statica - Statische Ausgänge - Sorties statiques - Salidas estáticas.
D= Communication port - Porta di comunicazione - Kommunikations-Schnittstelle - Port de commun - Puerto de comunicación.
E= Analogue outputs - Uscite analogiche - Analoge Ausgänge - Sortie analogiques - Salidas analógicas.
F= Digital inputs - Ingressi digitali - Digitaleingänge - Entrées logiques - Entradas digitales
G= Power supply - Alimentazione - Hilfsstromversorgung - Alimentation auxiliaire - Alimentación auxiliar.

[5] Salida de puerto serie RS485. **IMPORTANTE:** Instrumentos adicionales dotados de RS485 se conectan en paralelo. La terminación de la salida serie sólo debe realizarse en el último instrumento de la red mediante un puente entre B+ y T.
[6] Salida de puerto serie RS232. **IMPORTANTE:** realice la terminación mediante un puente entre B+ y T.

A: los puertos de comunicación RS232 y RS485 no pueden utilizarse ni conectarse al mismo tiempo. **El módulo MC BAC MS se suministra sólo con RS485.** Para CONECTAR los módulos con salida ethernet o BACnet-IP utilice el conector RJ45.
[G] Los módulos de comunicación están dotados de LEDs que señalan el estado de comunicación RX o TX.

Operación preliminar: desmonte la ventana de protección de los contactos **[D]**, utilizando un destornillador de punta plana.
Bloqueo y sellado de los módulos: para bloquear los módulos gire en el sentido de las agujas del reloj los específicos elementos de fijación de los extremos de los módulos **[E]**, **[F]**, utilizando un adecuado destornillador de punta plana **[H]**. Para sellar el equipo use los orificios específicos **[F]**.

ENGLISH

Relay outputs (M O R2). Physical outputs 2 (max. one module per instrument). Purpose for either alarm output or pulse output. Type, relay, SPDT type, AC 1-5A @ 250VAC; AC 15-1.5A @ 250VAC, DC 12-5A @ 24VDC; DC 13-1.5A @ 24VDC. Configuration, by means of the front key-pad. Function, the outputs can work as alarm outputs but also as pulse outputs, remote controlled outputs, or in any other combination. Alarms up alarm and down alarm linked to the virtual alarms. Min. response time ≤200ms, filters excluded. Set-point on-time delay: "0 s". Pulse: signal retransmission: Total: +kWh, -kWh, +kvarh, -kvarh. Partial: +kWh, -kWh, +kvarh, -kvarh. Pulse duration, programmable from 0.001 to 10.00 kWh/kvarh per pulse. ≥100ms <120msec (ON), ≥120ms (OFF), according to EN62052-31. Remote controlled outputs: the activation of the outputs is managed through the serial communication port.

Static outputs (M O O2). Opto-Mosfet type. Physical outputs: 2 (max. one module per instrument). Purpose, for either pulse output or alarm output. Signal: VON:2.5VAC/DC/max.100mA, VOFF: 260VAC/DC max. Configuration, by means of the front key-pad. Function: the outputs can work as alarm outputs but also as pulse outputs, remote controlled outputs, or in any other combination. Alarms: up alarm and down alarm linked to the virtual alarms. Min. response time ≤200ms, filters excluded. Set-point on-time delay: "0 s". Pulse: signal retransmission: Total: +kWh, -kWh, +kvarh, -kvarh. Partial: +kWh, -kWh, +kvarh, -kvarh. Pulse duration: programmable from 0.001 to 10.00 kWh/kvarh per pulse. ≥100ms < 120msec (ON), ≥120ms (OFF), according to EN62052-31. Remote controlled outputs: the activation of the outputs is managed through the serial communication port.

20mA analogue outputs (M O A2). Number of outputs 2 (max. one module per instrument). Accuracy (@ 25°C ±5°C, R.H. <60%) ±0.2%FS. Range 0 to 20mA. Configuration: by means of the front key-pad. Signal retransmission: the signal output can be connected to any instantaneous variable available. Scaling factor: programmable within the whole range of retransmission; it allows the retransmission management of all values from 0 to 20 mADC. Response time <400 ms typical (filter excluded). Ripple ≤1% (according to IEC 60688-1, EN 60688-1). Total temperature drift ≤500 ppm/°C. Load ≤600Ω.

10VDC analogue outputs (M O V2). Number of outputs 2 (max. one module per instrument). Accuracy (@ 25°C ±5°C, R.H. ≤60%) ±0.2%FS. Range 0 to 10 VDC. Configuration: by means of the front key-pad. Signal retransmission: the signal output can be connected to any instantaneous variable available. Scaling factor: programmable within the whole range of retransmission; it allows the retransmission management of all values from 0 to 10VDC. Response time: ≤400 ms typical (filter excluded). Ripple: ≤1% (according to IEC 60688-1, EN 60688-1). Total temperature drift: ≤500 ppm/°C. Load: ≥10kΩ.

RS485/RS422 port. Type: multidrop, bidirectional. Connections: 2-wire. Max. distance 1000m, termination directly on the module. Addresses: 247, selectable by means of the front key-pad. Protocols: MODBUS/JBUS (RTU). Protocols: modbus (247 addresses selectable by front key pad); BACnet MS/TP (instance numbers selectable by programming software). Data format: 1 start bit, 8 data bit, no/even/odd parity,1 stop bit. Baud-rate, selectable: 9.6k, 19.2k, 38.4k, 115.2k bit/s. Driver input capability 1/5 unit load. Maximum 160 transceivers on the same bus.

RS232 port (on request). Type: bidirectional. Connections 3 wires. Max. distance

15m. Protocol: MODBUS RTU /JBUS. Data format 1 start bit, 8 data bit, no/even/odd parity,1 stop bit. Baud-rate, selectable: 9.6k, 19.2k, 38.4k, 115.2k bit/s.

Ethernet/Internet port (on request). Protocols: Modbus TCP/IP. IP configuration: Static IP / Netmask / Default gateway. Port selectable (default 502). Client connections: Max 5 simultaneously. Connections: RJ45 10/100 BaseTX. Max. distance 100m.

BACnet-IP (on request). Protocols: BACnet-IP (for measurement reading) and Modbus TCP/IP (for programming parameter, instance number selectable by programming software). IP configuration Static IP / Netmask / Default gateway.

BACnet-IP Port. Fixed: BAC0h. Modbus Port Selectable (default 502). Client connections: modbus only: max 5 simultaneously. Connections RJ45 10/100 BaseTX Max. distance 100m.
Operating temperature -25°C to +55°C (-13°F to 131°F) (R.H. from 0 to 90% non-condensing @ 40°C) according to EN62053-21, EN50470-1 and EN62053-23.
Storage temperature -30°C to +70°C (-22°F to 158°F) (R.H. < 90% non-condensing @ 40°C) according to EN62053-21, EN50470-1 and EN62053-23.
Installation category Cat. III (IEC60664, EN60664).
Dielectric strength 4000 VRMS for 1 minute.
Noise rejection CMRR 100 dB, 48 to 62 Hz.
EMC according to EN62052-11. Electrostatic discharges: 15kV air discharge. Immunity to irradiated: test with current: 10V/m from 80 to 2000MHz. Electromagnetic fields: test without any current: 30V/m from 80 to 2000MHz. Burst: on current and voltage measuring inputs circuit: 4kV. Immunity to conducted disturbances: 10V/m from 150KHz to 80MHz. Surge: on current and voltage measuring inputs circuit: 4kV; on "L" auxiliary power supply input: 1kV. Radio frequency suppression: according to CISPR 22.
Standard compliance: safety: IEC60664, IEC61010-1 EN60664, EN61010-1 EN62052-11. Metrology EN62053-21, EN62053-23, EN50470-3. Pulse output: DIN43864, IEC62053-31.
Approvals: CE, cULus "Listed".
Connections: Screw-type. Cable cross-section area: max. 2.5 mm2. Min./max. Screws tightening torque: 0.4 Nm / 0.8 Nm. Suggested: 0.5 Nm.
Housing dimension: "A" and "B" type modules: 89.5x63x16mm. "C" type module: 89.5x63x20mm. Max. depth behind the panel. With 3 modules (A+B+C): 81.7 mm. Material, ABS, self-extinguishing: UL 94 V-0.

Protection degree, front: IP65, NEMA4x, NEM12. Screw terminals: IP20.

ITALIANO

Uscite relè (M O R2). Uscite fisiche, 2 (max. un modulo per strumento). Utilizzo, uscite allarmi o impulsi. Relè, tipo SPDT. CA 1-5A @ 250VCA; CA 15-1.5A @ 250VCA CC; 12-5A @ 24VCC; CC 13-1.5A @ 24VCC. Configurazione, mediante tastiera frontale. Funzione, l'uscita può funzionare come uscita allarme ma anche come uscita impulsi, controllo remoto o in qualsiasi altra combinazione. Allarme in salita, allarme in discesa associate agli allarmi virtuali. Tempo min di risposta ≤200ms, filtro escluso. Ritardo all'attivazione: "0 s". Impulsi, ritrasmissione segnale totale: +kWh, -kWh, +kvarh, -kvarh. Parziale: +kWh, -kWh, +kvarh, -kvarh. La lista di variabili può essere associata ad ogni uscita. Durata impulso programmabile da 0,001 a 10,00 kWh/kvarh per impulso. ≥100ms <120msec (ON), ≥120ms (OFF), secondo EN62052-31. Controllo remoto, l'attivazione delle uscite è gestita mediante la porta seriale di comunicazione.

Uscite statiche (M O O2). Tipo Opto-Mosfett. Uscite fisiche 2 (max. un modulo per strumento). Utilizzo, uscita allarme o impulsi. Segnale VON: 2,5VCA/CC/max.100mA. VOFF: 260VCA/CC max. Configurazione, mediante tastiera frontale. Funzione: l'uscita può funzionare come uscita allarme ma anche come uscita impulsi, controllo remoto o in qualsiasi altra combinazione. Allarme in salita, allarme in discesa associate agli allarmi virtuali. Tempo min risposta: ≤200ms, filtro escluso. Ritardo all'attivazione: "0 s". Impulsi: ritrasmissione segnale totale +kWh, -kWh, +kvarh, -kvarh. Parziale +kWh, -kWh, +kvarh, -kvarh. La lista di variabili può essere associata ad ogni uscita. Durata impulso, programmabile da 0,001 a 10,00 kWh/kvarh per impulso. ≥100ms <120msec (ON), ≥120ms (OFF), secondo EN62052-31. Controllo remoto: l'attivazione delle uscite è gestita mediante la porta seriale di comunicazione.

Uscita analogica 20mA (M O A2). Numero di uscite 2 (max. un modulo per strumento). Precisione (@ 25°C ±5°C, R.H. ≤60%) ±0,2%FS. Campo da 0 a 20mA. Configurazione, mediante tastiera frontale. Ritrasmissione segnale, il segnale d'uscita può essere associato ad ogni variabile istantanea disponibile. Fattore di scala programmabile all'interno di tutto il campo di ritrasmissione; permette la gestione della ritrasmissione di tutti i valori da 0 a 20 mA. Tempo di risposta ≤400 ms tipico (filtro escluso). Ripple ≤1% (secondo IEC 60688-1, EN 60688-1). Deriva termica totale ≤500 ppm/°C. Carico ≥10kΩ.

10VDC analogue outputs (M O V2). Numero di uscite 2 (max. un modulo per strumento). Precisione (@ 25°C ±5°C, R.H. ≤60%) 0,2%FS. Campo da 0 a 10VCC. Configurazione mediante tastiera frontale. Ritrasmissione segnale: il segnale d'uscita può essere associato ad ogni variabile istantanea disponibile. Fattore di scala programmabile all'interno di tutto il campo di ritrasmissione; permette la gestione della ritrasmissione di tutti i valori da 0 a 10VCC. Tempo di risposta ≤400 ms tipico (filtro escluso). Ripple ≤1% (secondo IEC 60688-1, EN 60688-1). Deriva termica totale ≤500 ppm/°C. Carico ≥10kΩ.

Porta RS485/RS422 (a richiesta). Tipo: Multidrop, bidirezionale. Connessione 2 fili. Distanza massima 1000m, terminazione direttamente sullo strumento. Protocolli: MODBUS (247 indirizzi selezionabili dalla tastiera frontale); BACnet MS/TP (numero istanza selezionabile mediante software). Formato dati: 1 bit di start, 8 bit di dati, nessuna parità, 1 bit di stop. Velocità di comunicazione selezionabile: 9,6k, 19,2k, 38,4k, 115,2k bit/s. Dispositivi in rete 1/5 unit load. Massimo 160 dispositivi nella stessa rete.

Porta RS232 (a richiesta). Tipo: bidirezionale. Connessioni 3 fili. Distanza max. 15m. Protocollo MODBUS RTU /JBUS. Formato dati: 1 bit di start, 8 bit di dati, nessuna parità, 1 bit di stop. Velocità di comunicazione selezionabile: 9,6k, 19,2k, 38,4k, 115,2k bit/s. Dispositivi in rete 1/5 unit load. Massimo 160 dispositivi nella stessa rete.

Porta Ethernet/Internet (a richiesta). Protocollo Modbus TCP/IP. Configurazione IP: IP statico / Netmask / Gateway di default. Porta selezionabile (default 502). Connessioni utente Max 5 simultanei. Connessioni RJ45 10/100 BaseTX. Distanza max 100m.

BACnet-IP (a richiesta). Protocollo BACnet-IP (per la lettura delle misure) e Modbus TCP/IP (per la programmazione dei parametri, numero istanza selezionabile mediante software). Configurazione IP: IP statico / Netmask / Gateway di default: Porta BACnet-IP. Fisso: BAC0h. Porta Modbus selezionabile (default 502). Connessioni utenti, solo Modbus: max 5 simultanei. Connessioni: RJ45 10/100 BaseTX. Distanza max 100m.

Temperatura di funzionamento da -25°C a +55°C (da -13°F a 131°F) (U.R. da 0 a 90% senza condensa @ 40°C) secondo EN62053-21 e EN62053-23.
Temperatura di immagazzinamento da -30°C a +70°C (da -22°F a 140°F) (U.R. < 90% senza condensa @ 40°C) secondo EN62053-21 e EN62053-23.
Categoria di installazione: Cat. III (IEC60664, EN60664).
Isolamento (per 1 minuto) 4000 VRMS tra ingressi di misura ed alimentazione. 4000 VRMS tra alimentazione e RS485/uscite digitali.
Rigidità dielettrica 4000 VRMS per 1 minuto.
Reiezione CMRR 100 dB, da 48 a 62 Hz.
EMC secondo EN62052-11. Scariche elettrostatiche 15kV scarica in aria; Immunità campi elettromagnetici irradianti, provato con corrente applicata: 10V/m da 80 a 2000MHz; provato senza corrente applicata: 30V/m da 80 a 2000MHz. Immunità ai transitori veloci, sui circuiti degli ingressi di misura in corrente e tensione: 4kV. Immunità ai radiodisturbi condotti: 10V/m da 150KHz a 80MHz. Immunità ad impulso, sui circuiti degli ingressi di misura in corrente e tensione: 4kV; sull'alimentazione "L": 1kV. Emissioni in radiofrequenza: secondo CISPR 22.
Conformità alle norme: sicurezza IEC60664, IEC61010-1 EN60664, EN61010-1 EN62052-11. Metrologia: EN62053-21, EN50470-3, EN62053-23. Uscita impulsiva DIN43864, IEC62053-31. Approvazioni: CE, cULus listed.
Connessioni: a vite. Sezione del cavo: max. 2,5 mm2. Coppia min./max serraggio: 0,4 Nm / 0,8 Nm. Consigliata: 0,5 Nm.
Custodia: dimensioni (LxAxP). Moduli tipo "A" e "B": 89,5x63x16mm. Modulo tipo "C": 89,5x63x20mm. Ingombro massimo dietro il pannello Con 3 moduli (A+B+C): 81,7 mm. Materiale: nylon PA66, autoestinguenza: UL 94 V-0. Montaggio a pannello.
Grado di protezione: frontale: IP65, NEMA4x, NEM12. Morsetti: IP20.

DEUTSCH

Relaisausgängen (M O R2). Physisch Ausgänge 2 (max. 1 Modul pro Netzwerk). Funktionsbereich: für Alarm- oder Impulsausgang. Typ Relais, SPDT Typ AC 1-5A bei 250VAC; AC 15-1.5A bei 250VAC DC 12-5A bei 24VDC; DC 13-1.5A bei 24VDC. Konfiguration: Durch die vordere Tastatur: Funktion Die Ausgänge können als Alarmausgänge benutzt werden, aber auch als Impulsausgänge, ferngesteuerte Ausgänge oder in jeder anderen beliebigen Kombination. Alarm: Überschreitung, Unterschreitung verbunden mit virtuellem Alarm, für weitere Einzelheiten siehe Virtuelle Alarme. Min. Ansprechzeit: ≤200ms, (ohne Filter) und Einstellung der Einschalt-zeitverzögerung: "0 s". Impuls Signalweiterübertragung, Gesamt: +kWh, -kWh, +kvarh, -kvarh. Partiiell : +kWh, -kWh, +kvarh, -kvarh. Impulstyp, Die oben aufgelisteten Variablen können mit jedem beliebigen Ausgang verbunden werden. Impulsdauer Programmierbar von 0.001 bis 10,00 kWh/kvarh por Impuls. ≥100ms <120msec (ON), ≥120ms (OFF), gemäß EN62052-31. Ausgägngefernsteuerung Die Aktivierung der Ausgänge wird gehandhbt durch serielle schnittstelle.

Statikausgänge (M O O2). Typ: Opto-Mos. Physisch Ausgänge 2 (max. 1 Modul por Netzwerk). Funktionsbereich, Für Alarm- oder Impulsausgang. Signal, VON:2.5VAC/DC/max.100mA. VOFF: 260VAC/DC max. Konfiguration au moyen de clavier avant. Fonction: Die Ausgänge können als Alarmausgänge benutzt werden, aber auch als Impulsausgänge, ferngesteuerte Ausgänge oder in jeder anderen beliebigen Kombination. Alarm: Überschreitung, Unterschreitung verbunden mit virtuellem Alarm, für weitere Einzelheiten siehe Virtuelle Alarme. Min. Ansprechzeit ≤200ms, (ohne Filter) und Einstellung der Einschalt-zeitverzögerung: "0 s". Impuls: Signalweiterübertragung. Gesamt: +kWh, -kWh, +kvarh, -kvarh. Partiiell: +kWh, -kWh, +kvarh, -kvarh. Impulstyp: Die oben aufgelisteten Variablen können mit jedem beliebigen Ausgang verbunden werden. Impulsdauer: Programmierbar von 0,001 bis 10,00 kWh/kvarh por Impuls. ≥100ms < 120msec (ON), ≥120ms (OFF), gemäß EN62052-31. Ausgägngefernsteuerung, Die Aktivierung der Ausgänge wird gehand-habt durch serielle schnittstelle.

20mA Analogue Ausgänge (M O A2). Anzahl der Ausgänge 2 (max. 1 Modul por Netzwerk). Genauigkeit (bei 25°C ±5°C, R.F. ≤60%) ±0,2%B.E. Bereich: 0 bis 20mA. Konfiguration, Durch die vordere Tastatur. Signalweiterübertragung: Der Signalausgang kann mit einer beliebigen unmittelbaren Variable. Skalierungsfaktor: Programmierbar innerhalb des gesamten Bereichs der Weiterübertragung; gestattet die Verwaltung der Weiterübertragung aller Werte von 0 bis 20 mADC. Ansprechzeit ≤400 ms typisch (ohne Filter). Wellenstrom: ≤1% (gemäß IEC 60688-1, EN 60688-1). Temperaturdrift insgesamt: ≤500 ppm/°C. Last: ≤600Ω.

10VDC Analogue Ausgänge (M O V2). Anzahl der Ausgänge 2 (max. 1 Modul por Netzwerk). Genauigkeit (bei 25°C ±5°C, R.F. ≤60%): ±0,2%B.E. Bereich: 0 bis 10 VDC. Konfiguration: Durch die vordere Tastatur. Signalweiterübertragung: Der Signalausgang kann mit einer beliebigen unmittelbaren Variable. Skalierungsfaktor: Programmierbar innerhalb des gesamten Bereichs der Weiterübertragung; gestattet die Verwaltung der Weiterübertragung aller Werte von 0 bis 10VDC. Ansprechzeit: ≤400 ms typisch (ohne Filter). Welligkeit (Ripple): ≤1% (gemäß IEC 60688-1, EN 60688-1). Temperaturdrift insgesamt: ≤500 ppm/°C. Last: ≥10kΩ.

Schnittstelle RS485/RS422 (auf Anfrage). Typ: Multidrop, Bidirektional . Anschlüsse: 2-Leiter. Max. Entfernung 1000m, Abschluss direkt am Modul. Protokolle: MODBUS/JBUS (RTU). Protokolle: MODBUS (247 wählbar über die vordere Tastatur); BACnet MS/TP (Instanz-Anzahl wählbar über die Programmiersoftware). Datenformat: 1-Startbit, 8-Datenbits, keine Parität/gerade Parität, ungerade Parität, 1 Stopptbit, Übertragungsgeschwindigkeitk: Wählbar: 9,6k, 19,2k, 38,4k, 115,2k bit/s. Treiber Eingangsimpetanz 1/5 Leistungsaufnahme Maximal Geräte 160 am gleichen Bus.

Schnittstelle RS232 (auf Anfrage). Typ: Bidirektional. Anschlüsse: 3-Leiter. Max. Entfernung 15m. Protokoll: MODBUS RTU /JBUS. Datenformat: 1-Startbit, 8-Datenbits, keine Parität/gerade Parität, ungerade Parität, 1 Stopptbit, Übertragungsgeschwindigkeitk: Wählbar: 9,6k, 19,2k, 38,4k, 115,2k bit/s.

Ethernet/Internet Schnittstelle (auf Anfrage). Protokoll: Modbus TCP/IP. IP Konfiguration: Statisch IP / Netzmaske / Standard-Gateway. Schnittstelle: Wählbar (Standard 502). Client Verbindung: Max 5 gleichzeitig. Anschlüsse: RJ45 10/100 BaseTX. Max. Entfernung 100m.

BACnet-IP (auf Anfrage). Protokoll: BACnet-IP (für Messunganzeige) und Modbus TCP/IP (für Parameterprogrammierung, Instanz-Anzahl wählbar über die Programmiersoftware). IP Konfiguration: Statisch IP / Netzmaske / Standard-Gateway. Schnittstelle: BACnet-IP. Fest: BAC0h. Modbus Schnittstelle: Wählbar (Standard 502). Client Verbindung: nur Modbus: Max 5 gleichzeitig. Anschlüsse: RJ45 10/100 BaseTX. Max. Entfernung 100m.
Betriebstemperatur -25°C bis +55°C (-13°F bis 131°F) (R.F. von 0 bis 90% nicht kondensierend bei 40°C) gemäß EN62053-21, EN50470-1 und EN62053-23.
Legertemperatur: -30°C bis +70°C (-22°F bis 158°F) (R.F. < 90% nicht kondensierend bei 40°C) gemäß EN62053-21, EN50470-1 und EN62053-23.
Installationskategorie: Kat. III (IEC60664, EN60664).
Durchschlagfestigkeit: 4kVAC RMS für 1 Minute.
Rauschdrückungsverhältnis: GTUV 100 dB, 48 bis 62 Hz.
EMC: According to EN62052-11. Elektrostatische Entladungen: 15kV air discharge; Strahlungsimmunität: Test mit angelegten Strom: 10V/m von 80 bis 2000MHz; Elektromagnetfeld. Test ohne angelegten Strom: 30V/m von 80 bis 2000MHz; Ladungsimpuls: Am Strom- und Eingangsspannungsmesskreis: 4kV. Leiterstörungsimmunität: 10V/m von 150KHz bis 80MHz. Überspannungsfestigkeit: Strom- und Eingangsspannungsmesskreis: 4kV; an „L“ Hilfsstromversorgungseingang: 1kV; Störausstrahlung Gemäß CISPR 22.
Standardkonformität: Sicherheit: IEC60664, IEC61010-1 EN60664, EN61010-1 EN62052-11. Messungen: EN62053-21, EN62053-23, EN50470-3. MID "Anhang MI-003". Impulsausgang: DIN43864, IEC62053-31. Zulassungen: CE, cULus "Listed".
Anschlüsse: Schraubklemmen, Kabelquerschnitt: 2,5 mm2. Min./Max. Anzungsmoment: 0,4 Nm / 0,8 Nm. Empfohlene Anzungsmoment: 0,5 Nm.
Gehäuse DIN Abmessungen (LxHxB): "A" und "B" Module: 89,5x63x16mm. "C" Module: 89,5x63x20mm. Max. Tiefe hinter der DIN-Schiene Mit 3 Modulen (A+B+C): 81,7 mm. Material ABS, selbstlöschend: UL 94 V-0. Montage: DIN-Schiene.
Schutzgrad: Vorderseite, IP65, NEMA4x, NEM12. Schraubklemmen: IP20.

FRAŅÇAIS

Sortie relais (M O R2). Sorties physiques: 2 (max. un module par instrument). Objectif: pour sortie d'alarme ou sortie à impulsions. Type: Relais, type SPDT CA 1-5A @ 250VCA; CA 15-1.5A @ 250VAC. CC 12-5A @ 24VCC; CC 13-1.5A @ 24VCC. Configuration au moyen de clavier avant. Fonction: les sorties peuvent aussi fonctionner en tant que sorties d'alarme, sorties d'impulsion, sorties de contrôle à distance, ou d'autres combinaisons. Alarme: alarme max, alarme min relié aux alarmes virtuelles, d'autres détails voir Alarme virtuelles. Temps de réponse min. ≤200ms, filtre exclu. Point de réglage du délai on-time: "0 s". Impulsion: signal de retransmission Total: +kWh, -kWh, +kvarh, -kvarh. Partiel: +kWh, -kWh, +kvarh, -kvarh. Type d'impulsion: les variables mentionnées ci-dessus peuvent être connectées à n'importe quelle sortie. Durée d'impulsion: programmable de 0,001 à 10,00 kWh/kvarh par impulsion. ≥100ms <120msec (ON), ≥120ms (OFF), selon EN62052-31. Contrôle à distance: l'activation des sorties est gérée à travers le port série de communication.

Sortie statique (M O O2). Type Opto-Mos. Sorties physiques 2 (max. un module par instrument). Objectif: pour sortie d'alarme ou sortie à impulsions. Signal: VON: 2,5VCA/CC/max.100mA. VOFF: 260VCA/CC max. Configuration au moyen de clavier avant. Fonction: les sorties peuvent aussi fonctionner en tant que sorties d'alarme, sorties d'impulsion, sorties de contrôle à distance, ou d'autres combinaisons. Alarme: alarme max, alarme min relié aux alarmes virtuelles, d'autres détails voir Alarme virtuelles. Temps de réponse min. ≤200ms, filtre exclu. Point de réglage du délai on-time: "0 s". Impulsion: signal de retransmission, Total: +kWh, -kWh, +kvarh, -kvarh. Partiel: +kWh, -kWh, +kvarh, -kvarh. Type d'impulsion: les variables mentionnées ci-dessus peuvent être connectées à n'importe quelle sortie. Durée d'impulsion: programmable de 0,001 à 10,00 kWh/kvarh par impulsion. ≥100ms < 120msec (ON), ≥120ms (OFF), selon EN62052-31. Contrôle à distance L'activation des sorties est gérée à travers le port série de communication.

Sorties analogiques 20mA (M O A2). Nombre de sorties 2 (max. un module par instrument). Précision (@ 25°C ±5°C, H.R. ≤60%): ±0,2% PE. Intervalle 0 à 20mA. Configuration au moyen de clavier avant. Signal de retransmission: la sortie du signal peut être connectée à n'importe quelle variable disponible. Facteur d'échelle: programmable dans toute la plage de retransmission ; il permet de gérer la retransmission de toute valeur à partir de 0 à 20 mACC. Temps de réponse: ≤400 ms typique (filtre exclu). Ondulation: ≤1% (selon IEC 60688-1, EN 60688-1). Dérive de température totale ≤500 ppm/°C. Charge: ≤600Ω.

Sorties analogiques 10VCC (M O V2). Nombre de sorties: 2 (max. un module par instrument). Précision (@ 25°C ±5°C, H.R. ≤60%): ±0,2% PE. Intervalle 0 à 10 VDC. Configuration au moyen de clavier avant. Signal de retransmission: la sortie du signal peut être connectée à n'importe quelle variable disponible. Facteur d'échelle: programmable dans toute la plage de retransmission; il permet de gérer la retransmission de toute valeur à partir de 0 à 10VCC. Temps de réponse ≤400 ms typique (filtre exclu). Ripple (ondulation): ≤1% (selon IEC 60688-1, EN 60688-1). Dérive de température totale ≤500 ppm/°C. Charge: ≥10kΩ.

Port RS485/RS422 (sur demande). Type, circuit multipoints, bidirectionnel. Connexions: 2 câbles, Distance max 1000m, Raccordement directement sur le module. Protocoles: MODBUS/JBUS (RTU). Protocoles: MODBUS (247 à sélectionner au moyen du clavier avant); BACnet MS/TP (nombre d'instance sélectionnable par logiciel de programmation). Format de données: 1 bit de départ, 8 bits de données,pas de parité, parité paire, parité impaire, 1 bit de stop. Baud-rate: à sélectionner: 9,6k, 19,2k, 38,4k, 115,2k bit/s. Capacité entrée driver: 1/5 unités en charge. Maximum 160 emetteurs/ récepteurs sur le même bus.

Port RS232 (sur demande). Type bidirectionnel. Connexions: 3 câbles, distance max 15m. Protocole: MODBUS RTU/ JBUS. Format de données: 1 bit de départ, 8 bits de données,pas de parité, parité paire, parité impaire, 1 bit de stop. Baud-rate: à sélectionner: 9,6k, 19,2k, 38,4k, 115,2k bit/s.

Port Ethernet/Internet (sur demande). Protocole: Modbus TCP/IP. Configuration IP: IP statique / Netmask / Portail implicite. Port: à sélectionner (implicite 502). Connexions client Max. 5 simultanément. Connexions: RJ45 10/100 BaseTX. Distance max 100m.

BACnet-IP (sur demande). Protocole: BACnet-IP (pour la lecture de mesure) et Modbus TCP/IP (pour paramètre de programmation, nombre d'instance sélectionnable par logiciel de programmation). Configuration IP: IP statique / Netmask / Portail implicite Port BACnet-IP. Fixe: BAC0h. Port Modbus à sélectionner (implicite 502). Connexions client, seul. Modbus: Max. 5 simultanément. Connexions RJ45 10/100 BaseTX. Distance max.100m.

Température de fonctionnement -25°C à +55°C (-13°F à 131°F) (H.R. de 0 à 90% sans condensation @ 40°C) selon EN62053-21, EN50470-1 and EN62053-23.
Température de stockage -30°C à +70°C (-22°F à 158°F) (H.R. < 90% sans condensation @ 40°C) selon EN62053-21, EN50470-1 and EN62053-23.
Catégorie d'installation Cat. III (IEC60664, EN60664).
Tension diélectrique: 4kVCA RMS pour 1 minute.
Émission de bruit CMRR 100 dB, 48 à 62 Hz.
CEM: selon EN62052-11. Décharges électrostatiques 15kV décharge atmosphérique. Immunité à l'irradiation: test avec courant: 10V/m de 80 à 2000MHz. Champs électromagnétiques: test sans aucun courant: 30V/m de 80 à 2000MHz. Transitoires: sur circuit d'entrées de mesure courant et tension: 4kV. Immunité aux bruits par conduction 10V/m de 150KHz à 80MHz. Surtesion: sur circuit d'entrées de mesure courant et tension: 4kV; sur entrée d'alimentation auxiliaire « L »: 1kV; suppression fréquence radio, selon CISPR 22.
Conformité aux standards: sécurité IEC60664, IEC61010-1 EN60664, EN61010-1 EN62052-11. Métrologie: EN62053-21, EN62053-23, EN50470-3. MID "annexe MI-003". Sortie impulsion DIN43864, IEC62053-31.
Approbations: CE, cULus "Listed".
Connexions: À vis, Section de câbles max. 2,5 mm2. Min./Max. couple de serrage de vis: 0,4 Nm / 0,8 Nm. Couple de serrage de vis recommandé: 0,5Nm.
Boîtier DIN Dimensions (LxHxD). Modules "A" et "B": 89,5x63x16mm.Modules"C": 89,5x63x20mm. Profondeur max. derrière le panneau. Avec 3 modules (A+B+C): 81,7 mm Matériau ABS, autoextinguible: UL 94 V-0. Montage: montage sur panneau.
Indice de protection: face avant IP65, NEMA4x, NEM12. Terminaisons de vis IP20.

Salidas de relé (M O R2). Salidas físicas: 2 (máx. un módulo por equipo). Finalidad: Para salida de alarma o de pulso. Tipo: Relé, tipo SPDT CA 1-5A a 250VCA; CA 15-1.5A a 250VCA. DC 12-5A a 24VCC; DC 13-1.5A a 24VCC. Configuración: mediante teclado frontal. Función: las salidas pueden funcionar como salidas de alarma,pero también como salidas de pulso, salidas de control remoto o en cualquier otra combinación. Alarmas: alarma de máx., alarma de mín., vinculadas con alarmas virtuales, para más detalles véase: alarmas virtuales. Tiempo mín. respuesta: ≤200ms, filtro excluido. Retardo de activ. punto de consigna: "0s". Pulso: retransmisión de señal, Total: +kWh, -kWh, +kvarh, -kvarh. Parcial: +kWh, -kWh, +kvarh, -kvarh. Salidas de pulso: las anteriores variables pueden conectarse a cualquier salida. Duración del pulso: programable de 0,001 a 10,00 kWh/kvarh por pulso. ≥100ms <120ms (ON), ≥120ms (OFF), según norma EN62052-31. Control remoto: la activación de las salidas se gestiona mediante el puerto de comunicacón.

Salidas estáticas (M O O2). Tipo Opto-Mos. Salidas físicas: 2 (máx. un módulo por equipo). Finalidad: para salida de alarma o de pulso. Señal: VON: 2.5VCA/CC/máx.100mA. VOFF: 260VCA/CC máx. Configuración: mediante teclado frontal. Función: las salidas pueden funcionar también como salidas de alarma, como salidas de pulso, como salidas de control remoto, o en cualquier otra combinación. Alarmas: alarma de máx., alarma de mín., vinculadas con alarmas virtuales, para más detalles véase Alarmas virtuales. Tiempo mín. de respuesta: ≤200ms, filtro excluido. Retardo de activ. punto de consigna: "0s". Pulso: Retransmisión de señal: Total: +kWh, -kWh, +kvarh, -kvarh. Parcial: +kWh, -kWh, +kvarh, -kvarh. Salidas de pulso: las anteriores variables pueden conectarse a cualquier salida. Duración del pulso: programable de 0,001 a 10,00 kWh/kvarh por pulso. ≥100ms < 120ms (ON), ≥120ms (OFF), según norma EN62052-31. Control remoto: la activación de las salidas se gestiona mediante el puerto de comunicacón.

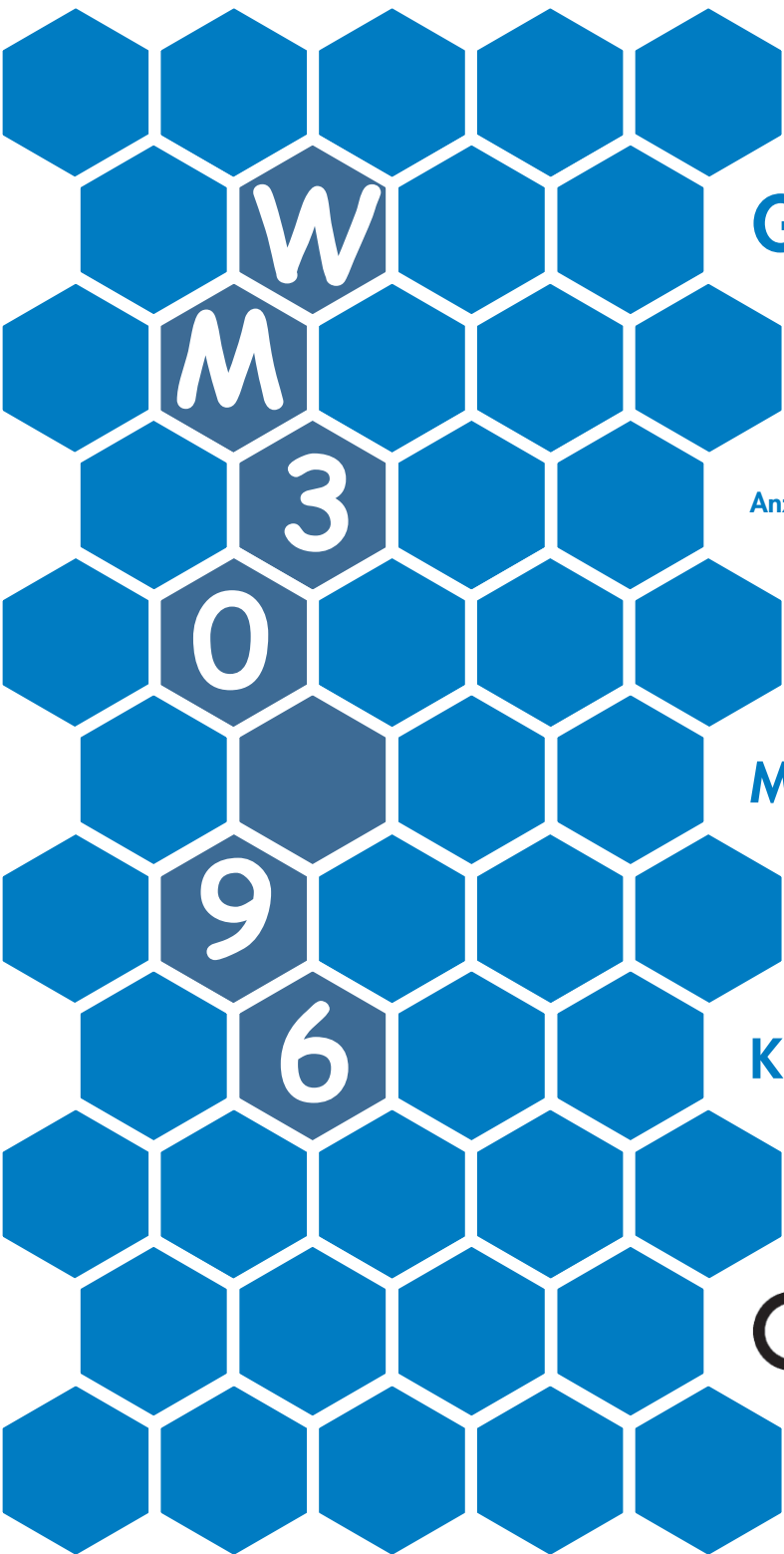
Salidas analógicas 20mA (M O A2). Numero de salidas: 2 (máx. un módulo por equipo). Precisión (a 25°C ±5°C, H.R. ≤60%): ±0,2%f.e. Escala: 0 a 20mA. Configuración: mediante teclado frontal. Retransmisión de señal: la salida de la señal puede conectarse a cualquier variable instantánea disponible. Factor de escala: programable en toda la escala de retransmisión; permite controlar la retransmisión de todos los valores desde 0 a 20 mACC. Tiempo de respuesta: ≤400 ms típico (filtro excluido). Ondulación: ≤1% (según normas IEC 60688-1, EN 60688-1). Variación total de temperatura: ≤500 ppm/°C. Carga: ≤600Ω.

Salidas analógicas 10VCC (M O V2). Numero de salidas: 2 (máx. un módulo por equipo). Precisión (a 25°C ±5°C, H.R. ≤60%): ±0,2%f.e. Escala: 0 a 10 VCC. Configuración: mediante el teclado frontal. Retransmisión de señal: la salida de la señal puede conectarse a cualquier variable instantánea disponible. Factor de escala: programable en toda la escala de retransmisión; permite controlar la retransmisión de todos los valores desde 0 a 10VCC. Tiempo de respuesta: ≤400 ms típico (filtro excluido). Rizado: ≤1% (según normas IEC 60688-1, EN 60688-1). Variación total de temperatura: ≤500 ppm/°C. Carga: ≥10kΩ.

Puerto RS485/RS422 (opcional). Tipo: multiterminal, bidireccional. Conexiones: 2 hilos. Distancia máx: 1000m, terminación directamente en el módulo. Protocoles: MODBUS/JBUS (RTU). Protocoles: MODBUS (247 seleccionable a través del teclado frontal); BACnet MS/TP (número de instancia seleccionable por software de programación). Formato de datos: 1 bit de arranque, 8 bit de datos, sin paridad, paridad par, paridad impar,1 bit de parada. Velocidad en baudios: seleccionable: 9,6k, 19,2k, 38,4k, 115,2k bit/s. Capacidad de entrada del driver; Carga unitaria, 1/5. Máximo: 160 transceptores en el mismo bus.

Puerto RS232 (opcional). Tipo: bidireccional. Conexiones: 3 hilos. Distancia máx 15m. Protocolo MODBUS RTU /JBUS. Formato de datos: 1 bit de arranque,

Gebrauchsanleitungen

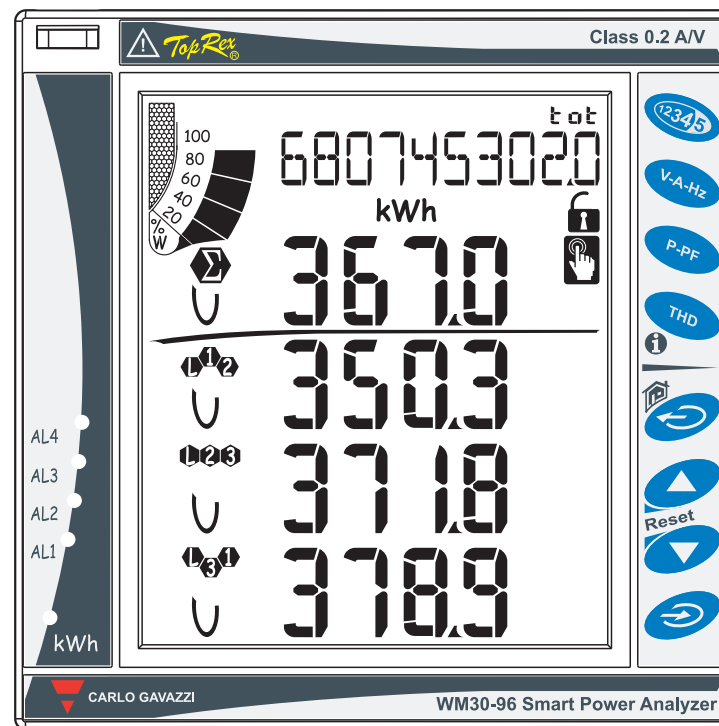


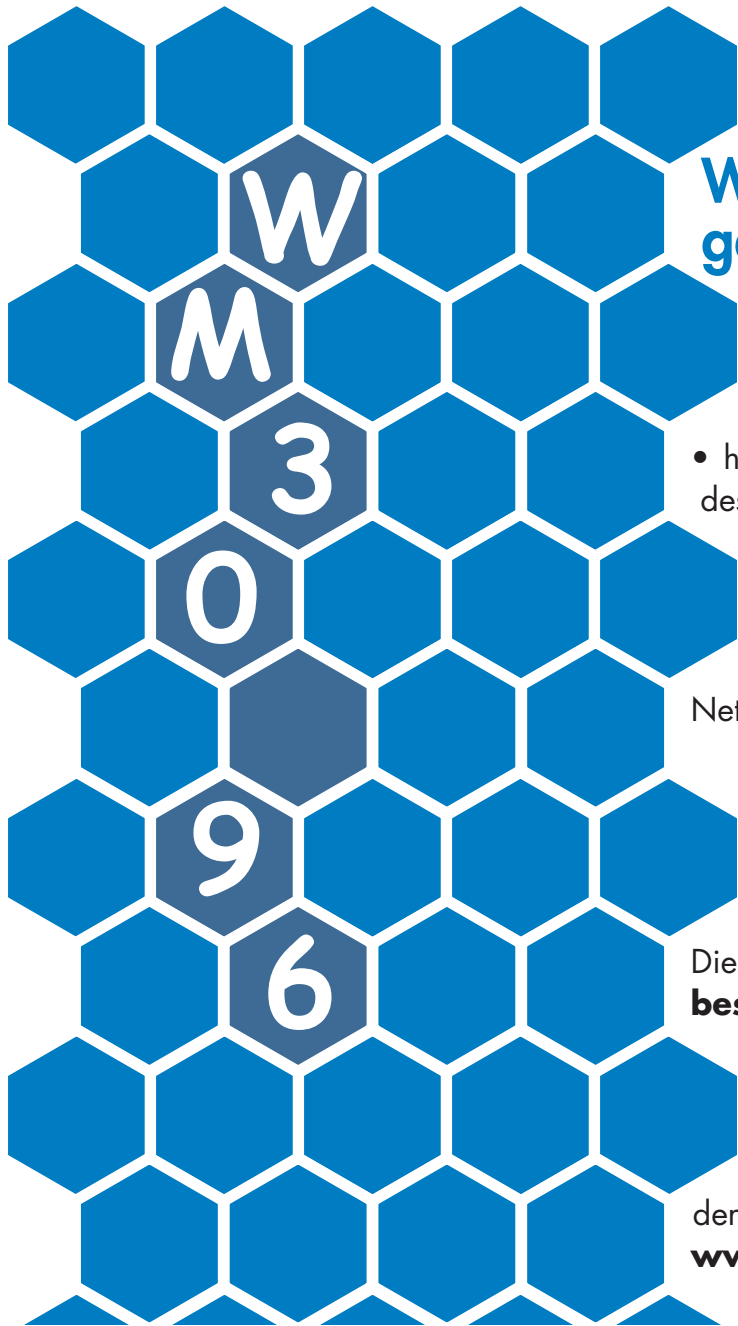
Anzeige, Programmierung

Modulsystem

Klasse 0,2 A/V

CE c  US LISTED





Wir danken Ihnen dafür, dass Sie unsere Produkte gewählt haben

WM30 96:

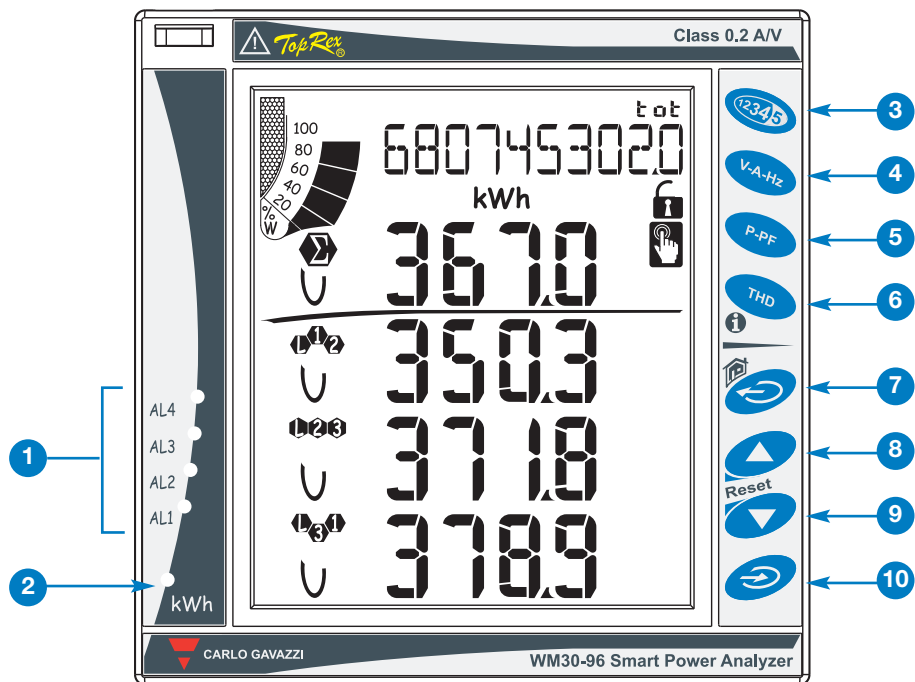
- hohe Genauigkeit (Klasse 0,2 A/V);
- hohe Rechenleistungen für eine schnelle Analyse des Signals (FFT bis zur 32. Harmonischen);
- viele Anschlussmöglichkeiten.

WM30-96 ist die technologisch modernste Antwort auf Ihre Analysebedürfnisse der Netzqualität.

Darüber hinaus können Sie sich auf eine nach ISO9001/VISION2000 bescheinigte Betriebsstruktur, eine jahrzehntelange Erfahrung sowie auf eine bedeutende Marktpräsenz verlassen. Dies alles, um Ihnen die besten Produkte und **den besten Service zu bieten.**

Wir heißen Sie in der Welt von Carlo Gavazzi willkommen, danken Ihnen für Ihre Wahl und bitten Sie, alle unsere Produkte auf der folgenden Website einzuschätzen:

www.gavazzi-automation.com



BESCHREIBUNG DES MESSGERÄTS

- 1 Virtuelle Alarmmelder eingeschaltet.
- 2 Anzeige für laufende Energieaufnahme (kWh) durch zur gemessenen Energie proportionales Blinken (je höher die Blinkfrequenz desto höher der Energieverbrauch. Höchsthäufigkeit 16HZ gemäß Richtlinie EN5047-1).

Die Tastatur ist in zwei Bereiche unterteilt, der obere Bereich ist für die Messungen mit direktem Zugriff auf spezifische Anzeigeseiten.

- 3 Anzeige der Zählerseiten: jeder Druck der Taste entspricht der Anzeige einer anderen Energiezählerseite (siehe nachstehend wiedergegebene Tabelle mit den Messeiten).
- 4 Anzeige der Stromspannungen und Frequenz (siehe nachstehend wiedergegebene Tabelle mit den Messeiten).
- 5 Anzeige des $\cos\phi$ und der Momentanleistungen (siehe nachstehend wiedergegebene Tabelle mit den Messeiten).
- 6 Anzeige der Oberwellen, siehe nachstehend wiedergegebene Tabelle mit den Messeiten.

Die Tastatur des unteren Bereichs ist speziell der Programmierung des Messgeräts vorbehalten.

- 7 Verlassen der Untermenüs, Verlassen der Programmierung.
- 8 Taste "auf" lässt ein Gleiten durch die Menüs und die Zunahme der einzustellenden Werte zu.
- 9 Taste "ab" lässt ein Gleiten durch die Menüs und die Abnahme der einzustellenden Werte zu.
- 10 Zugriff auf das Programmiermenü: **für Abruf des Programmiermenüs mindestens 2 Sekunden gedrückt halten.**

Im Messmodus lassen die Tasten 8 und 9 die Anzeige der Höchst- und Durchschnittswerte der angezeigten Messgrößen zu.

ZUSATZFUNKTIONEN DER TASTEN

Die mit einer doppelten Ikone gekennzeichneten Tasten haben eine Doppelfunktion. Zum Zugriff auf die Sekundärfunktion die Taste entsprechend der gewünschten Sekundärfunktion lange gedrückt halten.

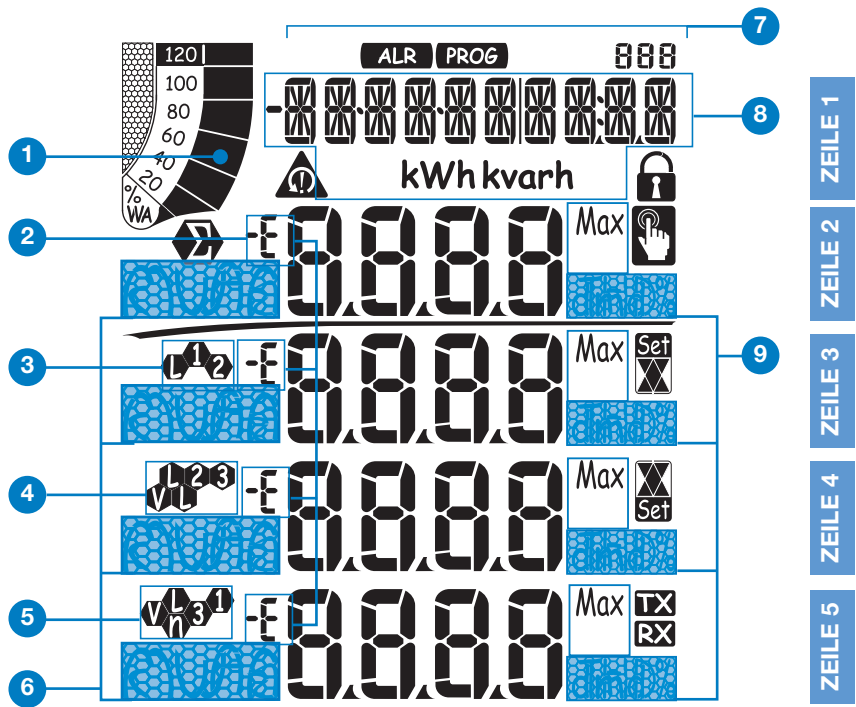
i Abruf der Informationsseiten des Messgeräts: Bezugsrichtlinien, Firmwareversion, Herstellungsjahr.

Home Taste "Home" von allen Messeiten, von jedem Menü kehren Sie zur (vom Benutzer persönlich gestaltbaren) Hauptmesseite zurück. **Wenn Sie im Programmiermenü sind, werden die eventuell eingegebenen Daten nicht gespeichert.**

Reset Durch gedrückt Halten der Taste 8 wird das Reset der HÖCHSTWERTE der angezeigten Messgrößen aufgerufen.
Durch gedrückt Halten der Taste 9 wird das Reset der Durchschnittswerte der angezeigten Messgrößen aufgerufen.
Das Reset muss mit der Taste 10 bestätigt werden.

Touch-Tasten Es sind moderne Touch-Tasten. Zur Kontrolle der effektiven Betätigung leuchtet bei jedem Druck irgendeiner der Tasten die entsprechende Ikone auf der Anzeige auf.

Wir empfehlen den Gebrauch Ihres Zeigerfingers zum Aktivieren der Touch-Tasten.



BESCHREIBUNG DER ANZEIGE

- 1** Graphische Anzeigeleiste der im Verhältnis zur installierten Leistung verbrauchten Wirk- und Scheinleistung.
- 2** Anzeigen der induktiven L, -L oder kapazitiven Phasenverschiebung C, -C der Phase.
- 3** Angabe der Messung Phase-Nullleiter L1 oder Phase-Phase L12.
- 4** Angabe der Messung Phase-Nullleiter L2 oder Phase-Phase L23 oder der Asymmetrie Phase-Phase VLL.
- 5** Angabe der Messung Phase-Nullleiter L3 oder Phase-Phase L31 oder der Asymmetrie Phase-Nullleiter VLn.
- 6** Angabe der technischen Messeinheit und des Vervielfachers: k, M, V, W, A, var (VAR), PF (Pf), Hz, An.
- 7** ALR: der Alarmanzeigemodus ist eingeschaltet. PROG: der Programmiermodus ist eingeschaltet.
- 8** Bereich für die Anzeige der Zähler und der Textmeldungen, Datum und Uhrzeit (Format: TT.MM.JJ/SS:MM). Energiezähler (siehe Tabelle auf der nächsten Seite).
- 9** Angabe von: Durchschnittswert, THD%, TDD%, Min oder Max.
- 10** Gibt an, dass alle angezeigten Momentanwerte vom System sind.
- 11** Fehleralarm Phasensequenz.
- 12** Messgerätprogrammierung eingeschaltet.
- 13** Messgerätprogrammierung blockiert.
- 14** Sendung (TX) und Empfang (RX) von Daten mit Kommunikationsnetz im Gange.

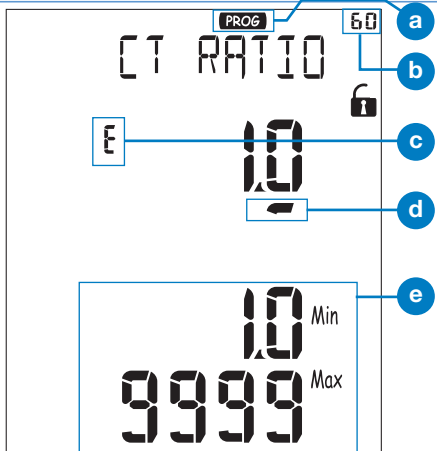
DIE IKONEN DER ANZEIGE



ALARMSCHWELLE	
Auf Alarm.	Ab Alarm.

Hinweis: die Anzeige wird mit Rückbeleuchtung mit einer programmierbaren Beleuchtungszeit von 0 Minuten (immer eingeschaltet) bis 255 Minuten geliefert.

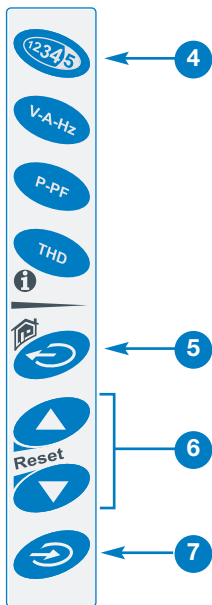
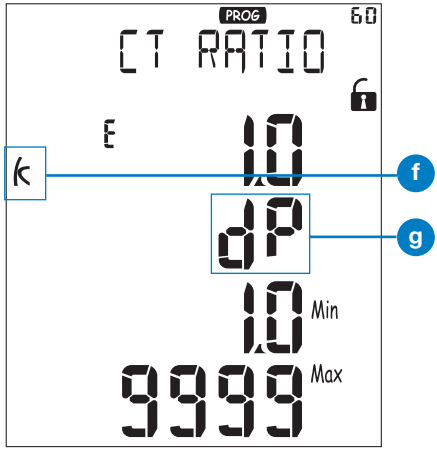
01



02



03



EINSTELLEN DER WERTE

Mit WM30 ist es noch einfacher, die Werte einzustellen. Jede einzelne Stelle kann erhöht oder vermindert werden und es ist möglich, ganz einfach den gewünschten Wert zu erreichen oder direkt von einem zum anderen Multiplikator zu wechseln.

Beispiel: Verwendung des entsprechenden Menüs für das Stromverhältnis

01 Während des Programmiervorgangs stellt das Gerät nützliche Informationen bereit:

- a** Erkennung des Programmiermodus;
- b** Identifikationsnummer des Menüs (siehe auch Programmierfluss);
- c** Bearbeiten, Identifikation der einzustellenden Zeile
- d** Cursor der die einzustellende Ziffer identifiziert;
- e** maximale und minimale Grenze der wählbaren Messgrößen.

02 Verwenden Sie die Tasten **6**, um die vom Cursor (**d**) ermittelte Stelle zu erhöhen oder zu vermindern. Um eine andere Stelle einzustellen, bewegen Sie den Cursor, um die gewünschte Stelle mit der Taste **4** festzulegen; jeder Tastendruck bewegt den Cursor nach links (**d**).

03 Wenn die letzte Stelle links vom Cursor (**d**) eingenommen wird, kann durch eine erneute Betätigung der Taste **4** der Dezimalpunkt und der Multiplikator (**f**) (k o M) geändert werden. Der blinkende "dP" (Dezimalpunkt)-Text (**g**) gibt an, dass das Gerät diese Funktion durchführen kann. Um die Dezimalpunktposition und den Multiplikator zu modifizieren, verwenden Sie die Tasten **6**, um den gewünschten Wert zu erhalten.


Um den eingestellten Wert zu bestätigen, drücken Sie die Taste **7**.
 Um den Vorgang abzubrechen und zurück zum Anfangszustand zu gelangen, drücken Sie die Taste **5**.
 Um den Vorgang abzubrechen und zurück zur Mess-"Home" Page zu gelangen, drücken Sie die Taste **5** für mindestens 2 Sekunden.

Auswahl	Anwendungsbereiche	Anmerkungen
A	Kostenverteilung	Aufgenommene Energiemessung
B	Kostenkontrolle	Aufgenommene und partielle Energiemessung
C	Komplexe Kostenverteilung	Aufgenommene/abgegebene Energie (gesamt und partiell)
D	Sonnenenergie	Aufgenommene und abgegebene Energiemessung mit einigen wesentlichen Stromanalysatorenfunktionen
E	Komplexe Kosten- und Leistungsanalyse	Aufgenommene/abgegebene Energie (gesamt und partiell) und Leistungsanalyse
F	Kosten- und Leistungsqualitätsanalyse	Abgegebene Energie und Leistungsqualitätsanalyse
G	Erweiterte Energie- und Leistungsanalyse zur Stromerzeugung	Vollständige Energiemessung und Leistungsqualitätsanalyse

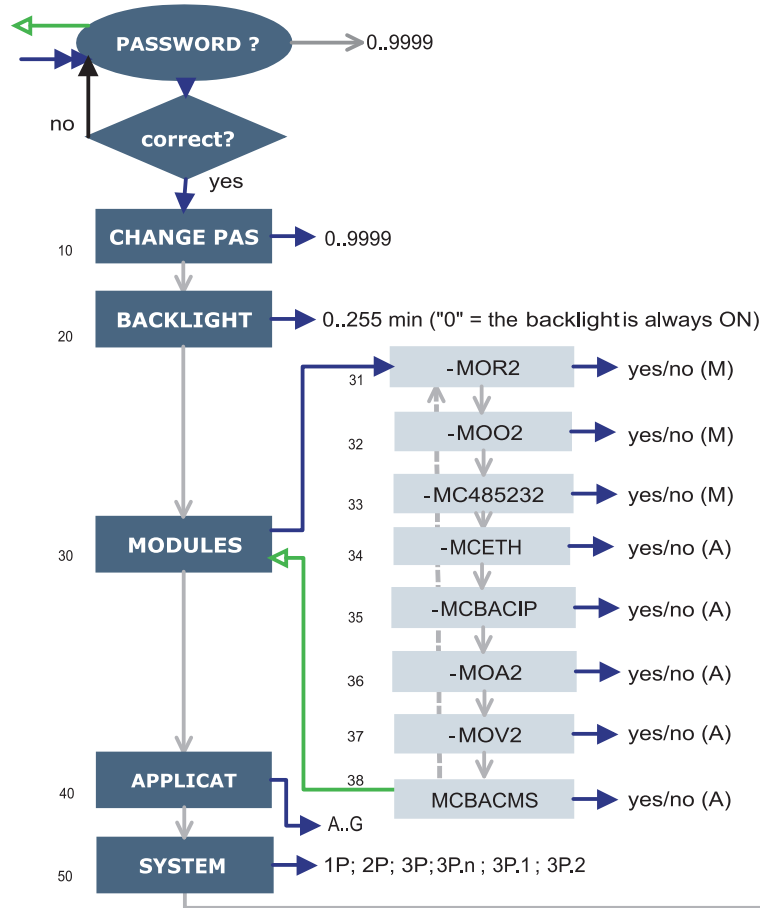
ANMERKUNGEN

WM30-96 ist mit der Funktion "Easy-prog" ausgestattet. Dank ihr ist es möglich, einfach und schnell das Ablesen der Werte vom Messgerät klar und unmittelbar zu gestalten, indem nur bestimmte Messgrößen je nach Anwendungsbereich des Messgeräts zur Verfügung gestellt werden. Die verfügbaren Anwendungsbereiche werden oben beschrieben. Zur Nutzung aller Potentialitäten des Messgeräts den Anwendungsbereich G wählen, der eine komplette und detaillierte Analyse der elektrischen Energie zulässt.

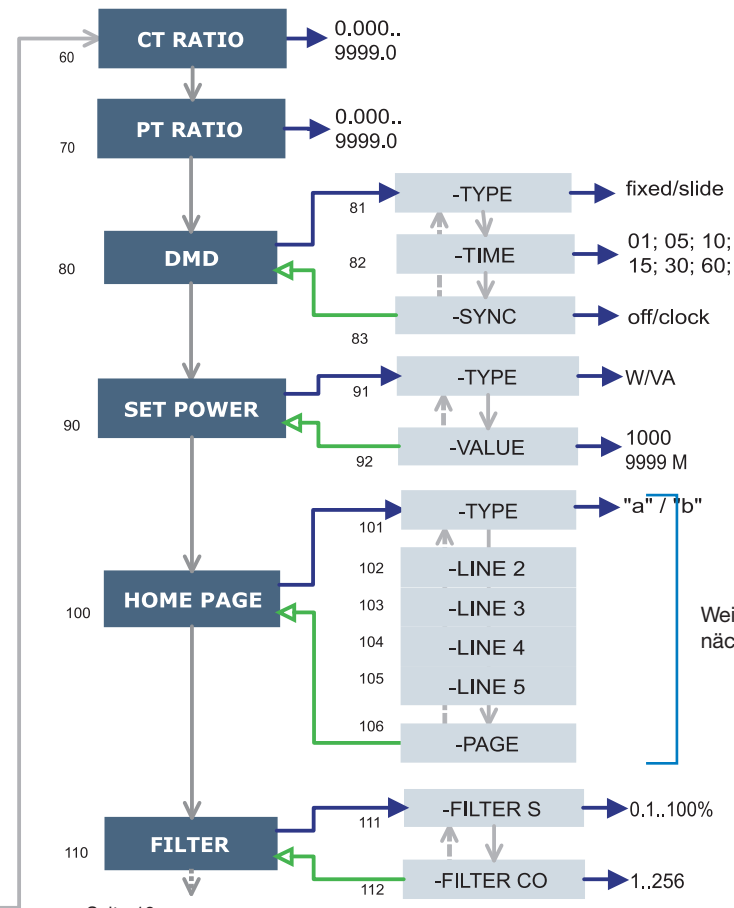
	Nr	Zeile 1	Zeile 2	Zeile 3	Zeile 4	Zeile 5	Anmerkungen	Anwendungsbereiche						
								A	B	C	D	E	F	G
	0	Startseite	Programmierbar					x	x	x	x	x	x	x
	1	Gesamt kWh (+)	Nach letzter angezeigter Seite von Unmittelbaren Größen					x	x	x	x	x	x	x
	2	Gesamt kvarh (+)						x	x	x	x	x		
	3	Gesamt kWh (-)							x	x	x		x	
	4	Gesamt kvarh (-)							x	x	x		x	
	5	Part. kWh (+)							x	x		x	x	x
	6	Part. kvarh (+)							x	x		x	x	x
	7	Part. kWh (-)							x		x		x	
	8	Part. kvarh (-)							x		x		x	
	9	Laufzeitstunden (99999999.99)							x	x	x	x	x	
	10	Ph. folge	VLN Σ	VL1	VL2	VL3				x	x	x	x	
	11	Ph. folge	VLN Σ	VL1-2	VL2-3	VL3-1				x	x	x	x	
	12	Ph. folge	An	AL1	AL2	AL3				x	x	x	x	
	13	Ph. folge	Hz	"ASY"	VLL sys (% asy)	VLL sys (% asy)				x	x	x	x	
	14	Ph. folge	VA Σ	VA L1	VA L2	VA L3					x	x	x	
	15	Ph. folge	var Σ	var L1	var L2	var L3					x	x	x	
	16	Ph. folge	W Σ	WL1	WL2	WL3				x	x	x	x	
	17	Ph. folge	PF Σ	PF L1	PF L2	PF L3					x	x	x	
	18	Ph. folge		THD V1	THD V2	THD V3					x	x		
	19	Ph. folge		THD V12	THD V23	THD V31					x	x		
	20	Ph. folge		THD A1	THD A2	THD A3					x	x		

Nr	Zeile 1	Zeile 2	Zeile 3	Zeile 4	Zeile 5	Anmerkungen	Anwendungsbereiche						
							A	B	C	D	E	F	G
1	Partie Nr. xxxx	Jahr xx	rEL	A.01	1...60 (min) "dmd"		x	x	x	x	x	x	x
2	Conn. xxx.x (3ph.n/3ph/3ph./3ph.2/1ph/2ph)	CT.rA	1,0 ... 99,99k	Pt.rA	1,0...9999		x	x	x	x	x	x	x
3	LED PULSE kWh	0,001 bis 1000 kWh pro Impuls					x	x	x	x	x	x	x
4	PULSE OUT1 kWh/kvarh	0,001 bis 1000 kWh/kvarh pro Impuls	+/- tot/PAr				x	x	x	x	x	x	x
5	PULSE OUT2 kWh/kvarh	xxxx kWh/kvarh pro Impuls	+/- tot/PAr				x	x	x	x	x	x	x
6	REMOTE OUT	out1	on/oFF	out2	on/oFF		x	x	x	x	x	x	x
 7	AL1	Variable	Set 1	Set 2	(Messung)				x	x	x	x	
8	AL2	Variable	Set 1	Set 2	(Messung)				x	x	x	x	
9	AL3	Variable	Set 1	Set 2	(Messung)				x	x	x	x	
10	AL4	Variable	Set 1	Set 2	(Messung)				x	x	x	x	
11	ANALOG 1	Hi:E	0,0 ... 9999k	Hi.A	0,0 ... 100,0%				x	x	x	x	
12	ANALOG 2	Hi:E	0,0 ... 9999k	Hi.A	0,0 ... 100,0%				x	x	x	x	
13	COM PORT	Add XXX	1...247	bdr	9,6/19,2/ 38,4/115,2		x	x	x	x	x	x	x
14	IP ADRESSE	XXX	XXX	XXX	XXX		x	x	x	x	x	x	x
15	XX•XX•XXIXX:XX	dAtE	tiME				x	x	x	x	x	x	x

Programmiermodus



VORSICHT
Die Module NUR verbinden oder trennen, wenn WM30 NICHT unter Strom steht.



Seite 10

Weitere Details auf der nächsten Seite.

Tastatur

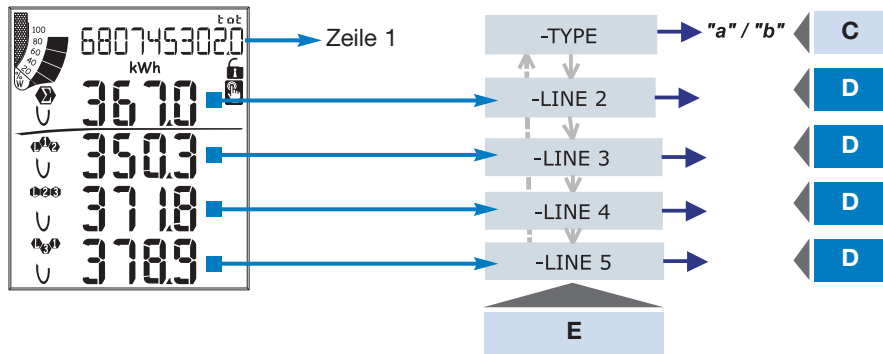


ANMERKUNGEN

10 CHANGE PAS: Mit dieser Funktion kann der Wert von PASS durch einen neuen gewünschten Wert (von 0 bis 9999) ersetzt werden. **20 BACKLIGHT:** Ausschaltzeit der Rückbeleuchtung von 0 (ständig eingeschaltet) bis 255 Minuten. **30 MODULES:** Der WM30 96 trägt je nach Modulart sowohl die automatische als auch manuelle Erkennung der installierten Module. **40 APPLICAT:** dank dieser Funktion ist es möglich, einfach und schnell das Ablesen der Werte vom Messgerät klar und unmittelbar zu gestalten, indem nur bestimmte Messgrößen (Seite 4/5) je nach Anwendungsbereich des Messgeräts zur Verfügung gestellt werden. **50 SYSTEM:** Mit dieser Funktion kann der Typ des Stromnetzes gewählt werden. **60 CT RATIO:** Mit dieser Funktion kann der Wert des Verhältnisses des StW (Verhältnis Primär/Sekundärstrom des verwendeten Stromwandlers) gewählt werden. Beispiel: Wenn der Primärstrom des StW (Stromwandlers) einen Strom von 300A besitzt und der Sekundärstrom 5A, beträgt das StW-Verhältnis 60 (Quotient: 300/5). **70 PT RATIO:** Mit dieser Funktion kann der Wert des SpW-Verhältnis (Verhältnis Primär/Sekundärspannung des verwendeten

Spannungswandlers) gewählt werden. Beispiel: Wenn die Primärspannung des angeschlossenen SpW (Spannungswandlers/Spannungswandler) 20 kV und die Sekundärspannung 100V beträgt, entspricht das SpW-Verhältnis 200 (Quotient: 20000/100). **80 DMD:** Mit dieser Funktion kann die Rechenmethode für den Durchschnittswert der gewählten Messgröße gewählt werden. **08.1 TYPE:** den für die Durchschnittsrechnung anzuwendenden Modustyp wählen **FIXED:** Wenn zum Beispiel ein Zeitraum von 15 Minuten gewählt wurde, errechnet das Messgerät den Durchschnitt der gemessenen Größe und aktualisiert den Wert alle 15 Minuten, danach setzt es zurück und startet eine neue Berechnung. **SLIDE:** wenn zum Beispiel ein Zeitraum von 15 Minuten gewählt wurde, errechnet das Messgerät den Durchschnitt der gemessenen Größe und aktualisiert den Wert anfangs nach den ersten 15 Minuten, anschließend im Minutenrhythmus und generiert ein Fenster von einer Spanne von 15 Minuten, das sich um eine Minute vorschiebt. **08.3 SYNC:** den Synchronisierungsmodus wählen, d.h. es wird die Methode gewählt, die den Rechenmodus des

Durchschnittswerts auf der Grundlage der gewählten Zeit überwacht. **90 SET POWER:** Mit diesem Menü kann ein Leistungswert (installierte Leistung) eingestellt werden, der bei der Messung 100%. **100 HOME PAGE:** Mit dieser Funktion können die auf Seite 00 anzuzeigenden Messgrößen gewählt werden. **101 TYPE:** A, es werden nur Messgrößen Phase-Nullleiter angezeigt. B, es werden nur Systemmessgrößen angezeigt (siehe entsprechendes Kapitel auf der nächsten Seite). **106 PAGE:** eine vordefinierte Kombination an Variablen wählen (siehe entsprechendes Kapitel auf der nächsten Seite). **110 FILTER:** dank des Digitalfilters können die Messungen, die bei der Anzeige des entsprechenden Werts zu sehr schwanken, stabilisiert werden. **111 FILTER S:** stellt den Arbeitsbereich (spann) des Digitalfilters ein. Der Wert wird in % ausgedrückt (Filter auf 0.0 bedeutet Filter ausgeschlossen). **112 FILTER CO:** den Filterkoeffizienten der unmittelbaren Messungen einstellen. Durch Erhöhen des Werts wird sowohl die Stabilität als auch die Regelzeit der Messungen erhöht. **Einige spezifische Menüs werden nur angezeigt, wenn die entsprechen-**



Anpassung der Startseite von WM30-96

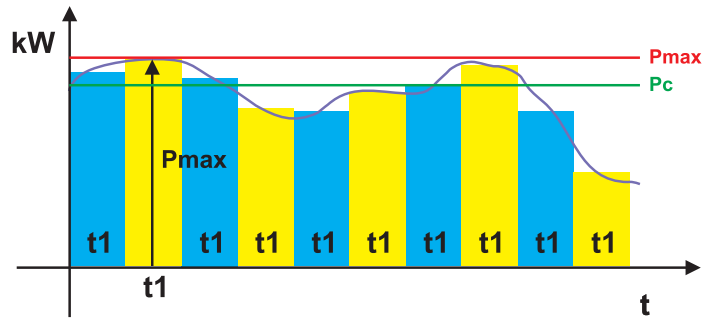
Menü "101 TYPE":
 "a", Sie könne eine Systemvariable für jede einzelne Zeile wählen.
 "b", Sie können eine vordefinierte Kombination an Variablen aufgeteilt auf Zeile 2 (Systemvariable) und Zeile 3 bis 5 (Einzelphasenvariablen).
 Darüber hinaus sind wenn 1P (Einpahsennetz) gewählt wurde die verfügbaren anzuzeigenden Variablen unterschiedlich.

Hinweis: wenn Typ B sind alle Typ A Auswahlen in Zeile 3, 4 und 5 irrelevant.

E	C	D											
	Typenwahl	0	1	2	3	4	5	6	7	8	9	10	11
Zeile 2	Typ "a"	An	WΣ	varΣ	VAΣ	PFΣ	Hz	An	An	An	An	An	An
	Typ "a" mit System 1P	V	A	W	var	VA	PF	Hz	V	V	V	V	V
	Typ "b"	Wähle eine der vordefinierten Kombinationen von Variablen											
	Typ "b" mit System 1P	Wähle eine der vordefinierten Kombinationen von Variablen											
Zeile 3	Typ "a"	An	WΣ	varΣ	VAΣ	PFΣ	Hz	An	An	An	An	An	An
	Typ "a" mit System 1P	V	A	W	var	VA	PF	-	-	-	-	-	-
Zeile 4	Typ "a"	VL-LΣ	An	WΣ	varΣ	VAΣ	PFΣ	Hz	-	-	-	-	-
	Typ "a" mit System 1P	V	A	W	var	VA	PF	Hz	-	-	-	-	-
Zeile 5	Typ "a"	VL-LΣ	An	WΣ	varΣ	VAΣ	PFΣ	Hz	-	-	-	-	-
	Typ a mit System 1P	V	A	W	var	VA	PF	Hz	-	-	-	-	-

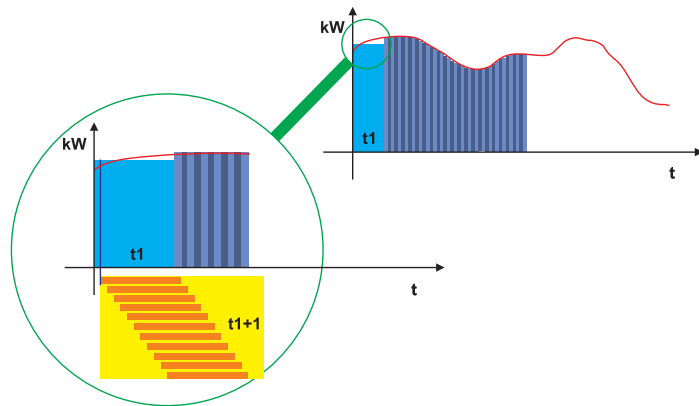
E	D											
	0	1	2	3	4	5	6	7	8	9	10	11
Zeile 2	-	V LN Σ	V LN Σ	An	Hz	VA Σ	var Σ	W Σ	PF Σ	-	-	-
Zeile 3	-	V L1	V L1-2	A L1	"ASY"	VA L1	var L1	W L1	PF L1	THD V1	THD V12	THD A1
Zeile 4	-	V L2	V L2-3	A L2	VLL sys (% asy)	VA L2	var L2	W L2	PF L2	THD V2	THD V23	THD A2
Zeile 5	-	V L3	V L3-1	A L3	VLL sys (% asy)	VA L3	var L3	W L3	PF L3	THD V3	THD V31	THD A3

E	D											
	0	1	2	3	4	5	6	7	8	9	10	11
Zeile 2			V				VA				THD_V	
Zeile 3			A				VAR				THD_A	
Zeile 4			Hz				W				-	
Zeile 5			-				PF				-	

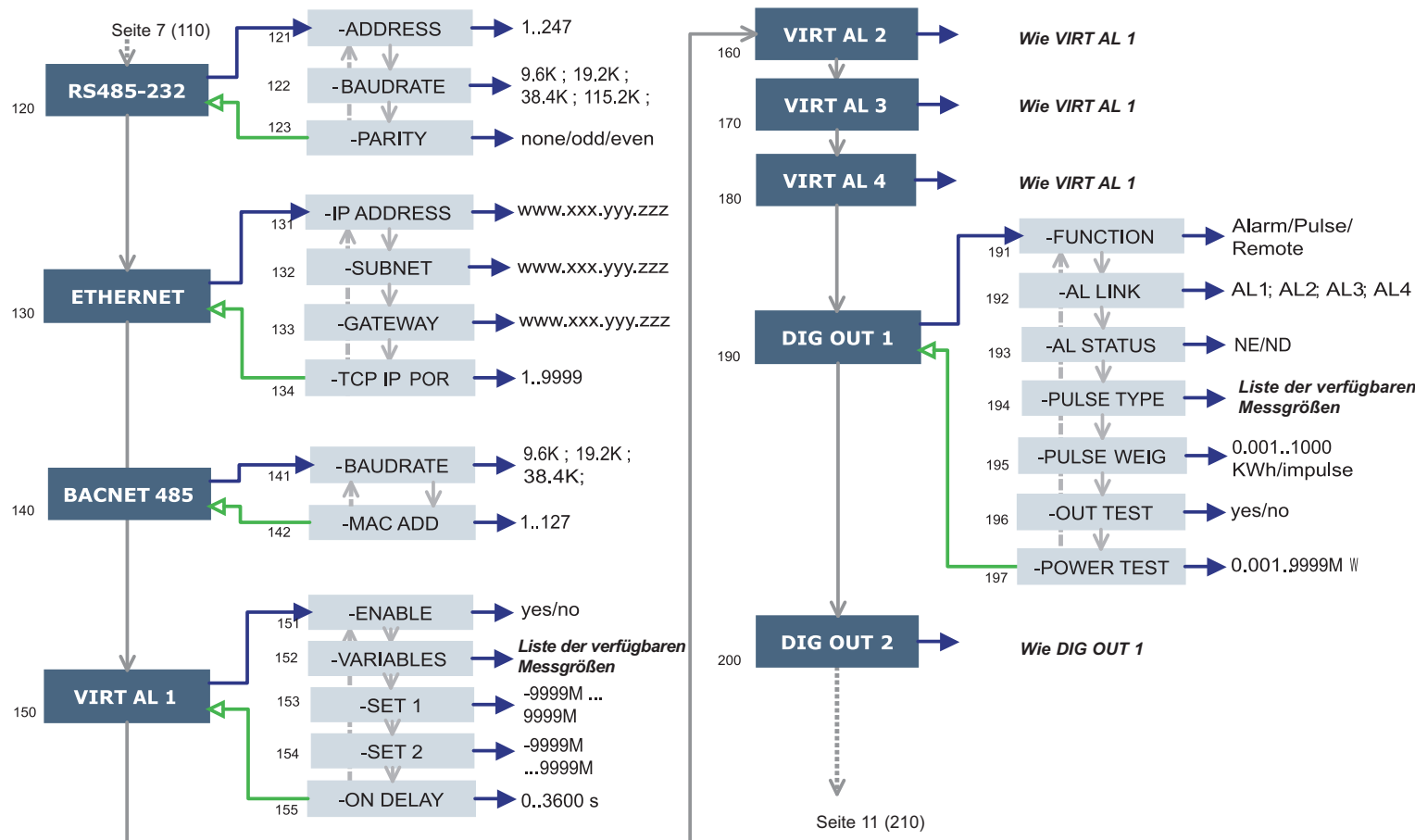


Wobei:
Pmax die Höchstleistung ist
Pc die Vertragsleistung ist,
t1 der für die Berechnung des Durchschnittswerts gewählte Zeitraum ist

WAHL FIX: Wenn zum Beispiel ein Zeitraum von 15 Minuten gewählt wurde, errechnet das Messgerät den Durchschnitt der gemessenen Größe und aktualisiert den Wert alle 15 Minuten.



WAHL GLEITEND: Wenn zum Beispiel ein Zeitraum von 15 Minuten gewählt wurde, errechnet das Messgerät den Durchschnitt der gemessenen Größe und aktualisiert den Wert anfangs nach den ersten 15 Minuten, anschließend im Minutenrhythmus und generiert ein Fenster von einer Spanne von 15 Minuten, das sich um eine Minute verschiebt.



Tastatur



ANMERKUNGEN

120 RS232-485: mit dieser Funktion können die seriellen Schnittstellen RS232 und RS485 eingestellt werden (MC232485 Modul).

130 ETHERNET: mit dieser Funktion kann die ETHERNET-Schnittstelle eingestellt werden. Im Falle von BACnet IP Schnittstelle, die BACnet Instanz-Nummer kann nur durch WM3040Soft Programmier-Software programmiert werden.

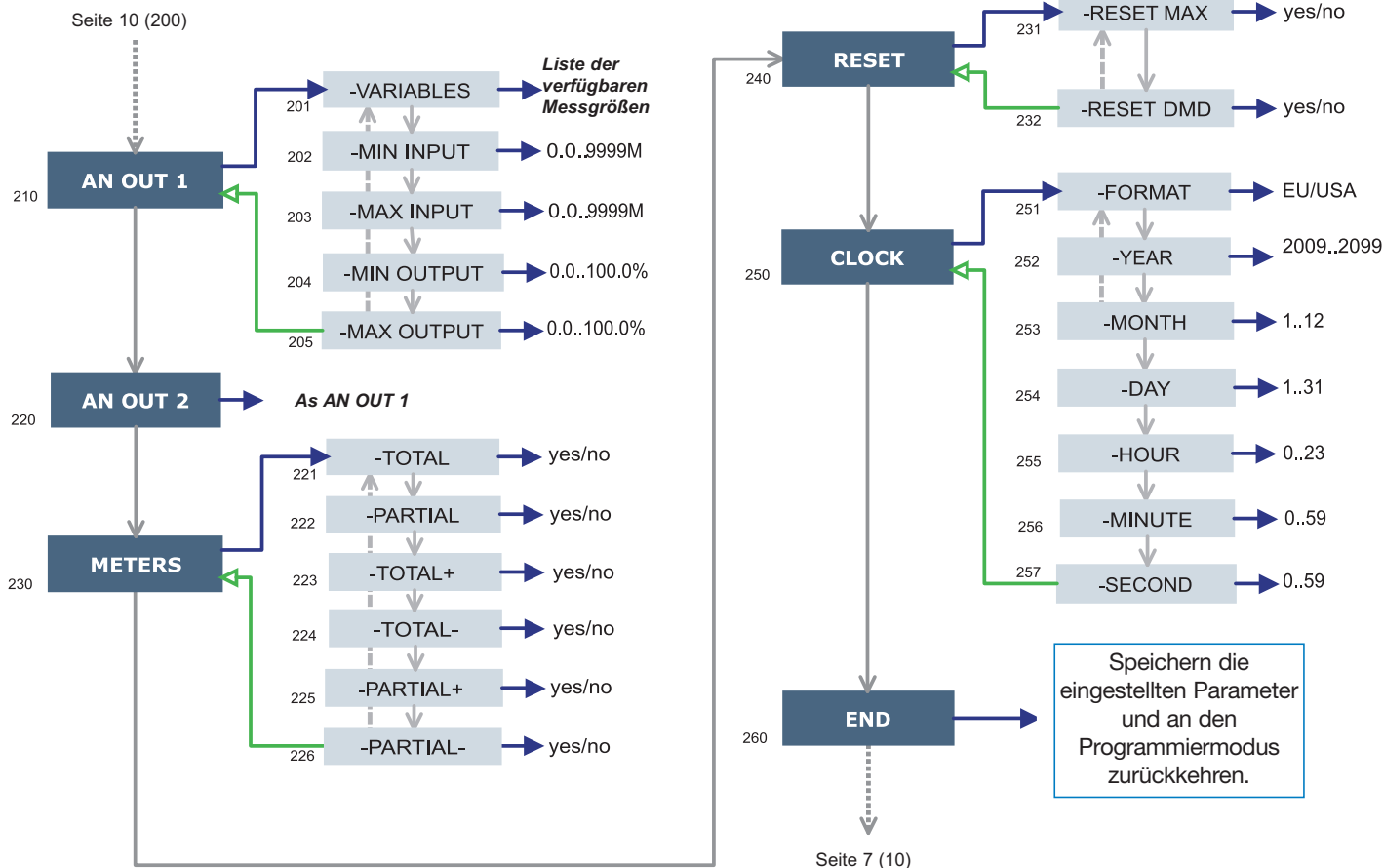
140 BACNET 485: mit dieser Funktion können die BACnet MS/TP Parameter eingestellt werden. Die BACnet Instanz-Nummer kann nur durch WM3040Soft Programmier-Software programmiert werden.

150 VIRT AL 1: mit dieser Funktion können die Alarmparameter eingestellt werden. 151 ENABLE: schaltet den Alarm ein (ON) oder aus (OFF). 152 VARIABLES: die mit dem Alarm zu verbindende Messgröße einstellen. 153 SET POINT 1: die erste ON Alarmschwelle der Messgröße einstellen. 154 SET POINT 2: zweite OFF Alarmschwelle der Messgröße einstellen.

155 ON DELAY: eine Einschaltverzögerung des Alarms einstellen.

190 DIG OUT 1: diese Funktion ermöglicht die Verbindung eines virtuellen Alarms mit dem Digital-Ausgang und mit seinen Betriebsparametern. 191 FUNCTION: *Alarm*, der Digitalausgang wird ausgelöst, wenn der vorgesehene Alarm eintritt. *Pulse*, die gemessene Energie wird vom Digitalausgang durch Impulse erneut übertragen. 192 AL LINK: den virtuellen Alarm auswählen, mit dem er verbunden werden soll. 193 AL STATUS: "ND" (normalerweise entregt) oder "NE" (normalerweise erregt). 195 PULSE WEIG: wählt das Impulsgewicht (kWh pro Impuls). 196 OUT TEST: Einschaltung des TEST (YES), Ausschaltung des TEST (NO). 197 POWER TEST: stellt den simulierten Leistungswert (kW) ein, dem eine Frequenz der zu ihr proportionalen Impulse auf der Grundlage von "PULSE WEIG" entspricht, die Funktion ist eingeschaltet solange Sie im Menü bleiben und sie wird verwendet, wenn der Ausgang an eine SPS angeschlossen ist.

Einige spezifische Menüs werden nur angezeigt, wenn die entsprechenden Zugehörigkeitsmodule installiert sind.



Tastatur



ANMERKUNGEN

210 AN OUT 1: Dieses Untermenü lässt die Programmierung der Analogausgänge (0-20mA, 0-10V). 211 VARIABLES: die mit dem Analogausgang erneut zu übertragende Messgröße wählen. 212 MIN EINGANG: Mindestwert der Messgröße für Eingangsbereich, mit dem der vom Analog-Ausgang zurückgesendete Wert "MIN AUSGANG" verbunden wird. 213 MAX EINGANG: Höchstwert der Messgröße für Eingangsbereich, mit dem der vom Analog-Ausgang zurückgesendete Wert "MAX AUSGANG" verbunden wird. 214 MIN AUSGANG: den als % ausgedrückten Wert des Ausgangsbereichs (0-20mA, 0-10V) einstellen, der mit dem gemessenen Mindestwert verbunden wird. 215 MAX AUSGANG: den als % ausgedrückten Wert des Ausgangsbereichs (0-20mA, 0-10V) wählen, der mit gemessenen Höchstwert verbunden wird.

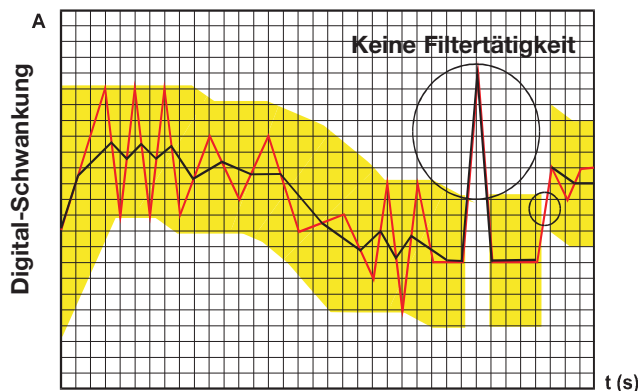
230 METERS: setzt die Energiezähler zurück, zur Wahl stehen: GESAMT, TEILZÄHLER: setzt alle Energiezähler, Gesamt- und Teilzähler, zurück. GESAMTZÄHLER +: setzt die Gesamtzähler der bezogenen Energie zurück. GESAMTZÄHLER -: setzt die Gesamtzähler der abgegebenen Energie zurück. TEILZÄHLER +: setzt die Teilzähler der bezogenen Energie

zurück. TEILZÄHLER -: setzt die Teilzähler der abgegebenen Energie zurück.

240 RESET: die Rücksetzung der gespeicherten MAX oder dmd Werte durchführen.

250 CLOCK, 251 FORMAT: EU, das europäische Zeitformat wie 24h (00:00) einstellen oder USA, das amerikanische Zeitformat wie 12h (12:00 AM/PM) einstellen. 252 JAHR: das laufende Jahr einstellen. 253 MONAT: den laufenden Monat einstellen. 254 TAG: den laufenden Tag einstellen. 255 STUNDE: die laufende Stunde einstellen. 256 Minute: die laufende Minute einstellen. 257 SEKUNDE: die laufende Sekunde einstellen.

Einige spezifische Menüs werden nur angezeigt, wenn die entsprechenden Zugehörigkeitsmodule installiert sind.


WIE WIRKT SICH DER DIGITAL-FILTERPARAMETER AUF DIE MESSUNG AUS?

Der erste Filterparameter ist FILTER S und definiert den Betriebsbereich des Filters. Dieser Betriebsbereich wird als ein gelber Streifen auf der Abbildung links (jedes kleine Rechteck ist eine Stelle) dargestellt. Solange sich der gemessene Wert (die rote Kurve auf der Abbildung) innerhalb dieses Streifens befindet, ist der Filter aktiv; sobald der Wert außerhalb ist, wird der Filter deaktiviert und ein neuer Streifen wird um den neuen Wert aktiv.

Eine Empfehlung zur Einstellung dieses Parameters ist es, auf die Größe der Schwankung (in Stellen) zu sehen und diesen Wert zu verwenden.

Der zweite Parameter ist der FILTER CO und stellt den Filterkoeffizienten dar. Je höher der FILTER CO ist, desto einheitlicher ist die Kurve der angezeigten Werte (schwarz auf der Abbildung). Es gibt keine theoretische Regel für die Bestimmung dieses Parameters, er muss im Feld eingestellt werden. Es empfiehlt sich jedoch ungefähr mit demselben Wert des Koeffizienten von FILTER S zu beginnen und dann zu steigern, bis die gewünschte Stabilität erreicht ist.

Der Digital-Filter betrifft die sowohl über serielle Kommunikation und Analog-Ausgang zurückgesendeten Werte.

PROGRAMMIERBEISPIELE FÜR DEN DIGITALFILTER
Beispiel 1

Der auf der Anzeige angezeigte Wert der Messgröße VL-N, der zwischen 222V und 228V schwankt, muss stabilisiert werden.

Die Parameter des Digitalfilters müssen wie folgt programmiert werden:

FILTER S: die Messgröße schwankt innerhalb des mittleren Amplitudenwerts um $\pm 0,75\%$ des Vollbereichsnennwerts dieser Messgröße (Quotient: $(228-222)/2 = \pm 3V$, daraus ergibt sich $\pm 3 \cdot 100/400V = \pm 0,75\%$, wobei 400V der Nennwert für Phase-Nullleiter bei Eingang AV5 ist). Der Parameter "Filterbereich", der den Arbeitsbereich des Digitalfilters darstellt, muss mit einem etwas höheren Wert als dem Prozentsatz der Amplitudenschwankung programmiert werden: z.B. 1,0%.

FILTER CO: wenn der neue vom Gerät ermittelte Wert im Arbeitsbereich des Filters liegt, wird der angezeigte neue Wert berechnet, indem zum vorherigen Wert die durch den Filterkoeffizienten geteilte Änderung algebraisch summiert wird. Demzufolge führt ein höherer Wert als dieser Koeffizient zu einer höheren Einstellzeit und somit zu einer besseren Stabilität. Im Allgemeinen wird das optimale Ergebnis erzielt, wenn der Filterkoeffizient auf mindestens ein Zehnfaches des Parameterwerts für den Filterbereich eingestellt wird. Im Beispiel: $1,0 \cdot 10 = 10$. Zur Verbesserung der Stabilität kann der Filterkoeffizient erhöht werden. Die zulässigen Werte liegen zwischen 1 und 255.

Beispiel 2

Der auf der Anzeige angezeigte Wert der Nerzwirkleistung (W-), der zwischen 300kW und 320kW schwankt, muss stabilisiert werden (die Last ist über einen Stromwandler 300/5A an das Messegerät angeschlossen und misst die Spannung direkt).

Die Parameter des Digitalfilters müssen wie folgt programmiert werden:

FILTER S: die Messgröße schwankt innerhalb des mittleren Amplitudenwerts um $\pm 2,78\%$ des Vollbereichsnennwerts dieser Messgröße. Quotient: $(320-300)/2 = \pm 10kW$, daraus ergibt sich $\pm 10 \cdot 100/360kW = \pm 2,78\%$, wobei 360kW der Nennwert für die Netzwirkleistung für einen Eingang AV5 zu den oben genannten Bedingungen (Stromwandler- und Spannungswandler-Verhältnis) ist und mit der folgenden Formel erhalten wird: " $VLN \cdot VT \cdot IN \cdot CT \cdot 3$ " wobei VLN = nominale Eingangsspannung (400V für Eingang AV5), VT = Verhältnis Primär-/Sekundärspannung des verwendeten Spannungswandlers, IN = Nominalstrom (5A für Eingang AV5), CT = Verhältnis Primär-/Sekundärstrom des verwendeten Stromwandlers ist (in diesem Beispiel $400 \cdot 1 \cdot 5 \cdot 60 \cdot 3 = 360kW$).

Der Parameter "FILTERBEREICH", der den Arbeitsbereich des Digitalfilters darstellt, muss mit einem etwas höheren Wert als der Prozentsatz der Amplitudenschwankung eingestellt werden: z.B. 3,0%.

FILTER CO: Wenn der neue vom Gerät ermittelte Wert im Arbeitsbereich des Filters liegt, wird der angezeigte neue Wert berechnet, indem zum vorherigen Wert die durch den Filterkoeffizienten geteilte Änderung algebraisch summiert wird. Demzufolge führt ein höherer Wert als dieser Koeffizient zu einer höheren Einstellzeit und somit zu einer besseren Stabilität. Im Allgemeinen wird das optimale Ergebnis erzielt, wenn der Filterkoeffizient auf mindestens ein Zehnfaches des Parameterwerts für den Filterbereich eingestellt wird. Im Beispiel: $3,0 \cdot 10 = 30$. Zur Verbesserung der Stabilität kann der Filterkoeffizient erhöht werden. Die zulässigen Werte liegen zwischen 1 und 255.

Beispiel 3

Der auf der Anzeige gezeigte Wert der Messgröße AL1 (1 Phasen-Strom), der zwischen den Werten 470V und 486V schwankt, muss stabilisiert werden.

Um die Alarmfunktion mit nachfolgender Ein- und Ausschaltung des Relais besser verwalten zu können, ist es erforderlich, dass dieser Wert nicht ständigen Schwankungen unterliegt. In diesem Beispiel wurde der Gebrauch eines Stromwandlers 500/5A in Betracht gezogen. Die Parameter des Digitalfilters müssen wie folgt programmiert werden:

FILTER S: die Messgröße schwankt innerhalb des mittleren Amplitudenwerts um $\pm 1,60\%$ des Vollbereichsnennwerts dieser Messgröße (Quotient: $(486-470)/2 = \pm 8A$, daraus ergibt sich $\pm 8 \cdot 100/500A = \pm 1,60\%$, wobei 500A der sich auf den Primärstrom des verwendeten Wandlers beziehende Wert ist). Der Parameter "Filterbereich", der den Arbeitsbereich des Digitalfilters darstellt, muss mit einem etwas höheren Wert als dem Prozentsatz der Amplitudenschwankung programmiert werden: z.B. 2,0%.

FILTER CO: Wenn der neue vom Gerät ermittelte Wert im Arbeitsbereich des Filters liegt, wird der angezeigte neue Wert berechnet, indem zum vorherigen Wert die durch den Filterkoeffizienten geteilte Änderung algebraisch summiert wird. Demzufolge führt ein höherer Wert als dieser Koeffizient zu einer höheren Einstellzeit und somit zu einer besseren Stabilität. Im Allgemeinen wird das optimale Ergebnis erzielt, wenn der Filterkoeffizient auf mindestens ein Zehnfaches des Parameterwerts für den Filterbereich eingestellt wird. Im Beispiel: $2,0 \cdot 10 = 20$. Zur Verbesserung der Stabilität kann der Filterkoeffizient erhöht werden. Die zulässigen Werte liegen zwischen 1 und 255.

PROGRAMMIERBEISPIELE FÜR ANALOGAUSGÄNGE

Es wird die erneute Übertragung der Leistung mit Analogausgang 0-20mA verlangt.

Es muss eine verbrauchte Leistung bis zu 100kW gemessen werden und dieser Wert muss mit einem Signal von 4 bis 20 mA erneut übertragen werden: Das zu verwendende Modul ist MOV2 (2x von 0 bis 20mA), das Messgerät muss wie folgt programmiert werden:

VARIABLE: W_{Σ} (Netzwirkleistung).

MIN OUT: 20,0% pro 4mA, Quotient: $(100 \cdot \text{Mindestausgang}) / \text{Vollbereichsausgang} = 100 \cdot 4\text{mA} / 20\text{mA} = 20\%$.

MAX OUT: 100,0% pro 20mA, Quotient: $(100 \cdot \text{Höchstausgang}) / \text{Vollbereichsausgang} = 100 \cdot 20\text{mA} / 20\text{mA} = 100$.

MIN INPUT: 0,0k; die Vielfachen k,M,G können auf dem Messgerät auf der Grundlage der gewählten SpW- und StW-Werte gewählt werden.

MAX INPUT: 100,0k; die Vielfachen k,M,G können auf dem Messgerät auf der Grundlage der gewählten SpW- und StW-Werte gewählt werden.

Es wird die erneute Übertragung des LEISTUNGSFAKTORS ($\cos\phi$) mit Analogausgang 0-20mA verlangt.

Es muss der gesamte Bereich der für den PF zulässigen Werte ($\cos\phi$) mit Signal von 0 bis 20mA erneut übertragen werden. Es muss darauf geachtet werden, dass die Messgröße PF ($\cos\phi$) die Werte zwischen 0,001 und 1,000 (für jede Phase) annehmen kann, die erneut übertragen die Werte 0 bzw. 20mA annehmen. Wenn PF ($\cos\phi$) den Wert gleich 1 annimmt und sich in der Mitte zwischen 0,001 und 1,000 befindet, nimmt der Ausgang den Wert seines Mittelebereichs an, d.h. 10mA. Infolgedessen muss das Messgerät wie folgt programmiert werden:

VARIABLE: PF L1 (oder L2 oder L3 oder PF_{Σ}).

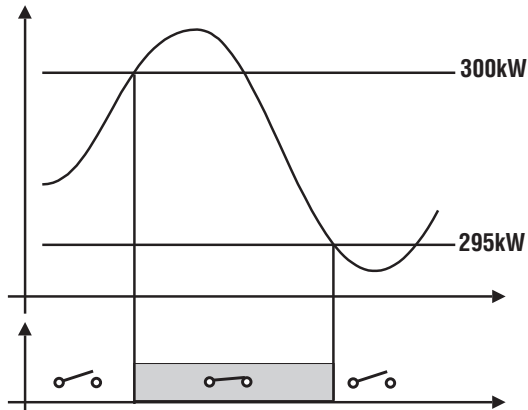
MIN OUT: 0,0%.

MAX OUT: 100,0%.

MIN INPUT: 0,001 (das Symbol C zeigt an, dass der Wert KAPAZITIV ist).

MAX INPUT: 1,001 (das Symbol L zeigt an, dass der Wert INDUKTIV ist). Es wurde gewählt, den einstellbaren Mindestwert auf 0,001 zu begrenzen, um unerwünschte Schwingungen bei den Wiederholungen zu vermeiden.

PROGRAMMIERBEISPIELE FÜR ALARMPARAMETER



Es ist die Abtrennung einer Belastung beim Überschreiten eines zuvor bestimmten Werts der Aufnahmeleistung erforderlich, zum Beispiel beim Überschreiten der 300kW muss der Alarm eingreifen und eine zuvor bestimmte Belastung abtrennen. Es wird ein Höchstwertalarm gewählt. Nachstehend wird die empfohlene Programmierung angegeben:

ENABLE: YES

VARIABLES: W Netz (WΣ)

SET POINT 1: 300kW

SET POINT 2: 295kW

ON DELAY: die gewünschten Sekunden einstellen: "5 Sekunden".



W

M

3

0

9

6

www.gavazzi-automation.com

Control

Instruction Manual
Base Instrument

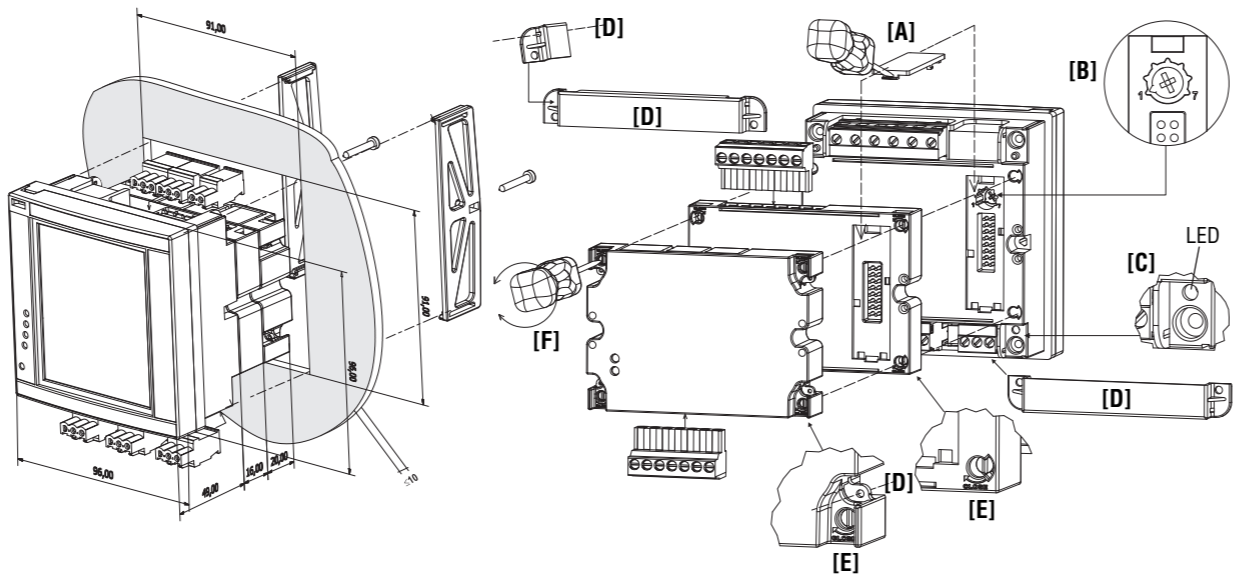
Thank you
for choosing our products.

Grazie
per aver scelto i nostri prodotti.

Wir danken
Ihnen dafür, dass Sie unsere
Produkte gewählt haben.

Gracias
por elegir nuestros productos.

Merci
d'avoir choisi nos produits.



ENGLISH



Read carefully the instruction manual. If the instrument is used in a manner not specified by the producer, the protection provided by the instrument may be impaired. **Maintenance:** make sure that the connections are correctly carried out in order to avoid any malfunctioning or damage to the instrument. To keep the instrument clean, use a slightly damp cloth; do not use any abrasives or solvents. We recommend to disconnect the instrument before cleaning it.

WARNING: to make sure that the screw tightening torque is 0.5Nm. ALL THE MOUNTING AND DISASSEMBLY OPERATIONS OF THE INSTRUMENT AND MODULES HAVE TO OCCUR WHEN POWER SUPPLY AND THE LOADS ARE NOT CONNECTED.

Preliminary operations: if necessary remove the protection cover of the contacts **[A]**, using a properly screwdriver.

Lock the programming and LED of power supply on: to lock the acces to the programming of the instrument turning (clockwise) the rotary switch **[B]** to position 7. To unlock the programming come-back the rotary switch to the position 1. The green LED **[C]** on warns that the instrument is power supplied.

The instrument and modules sealing: to lock the modules turning (clockwise) the properly fixing elements on the corners **[E]**, using a properly screw-driver **[F]**. To seal the instrument use the dedicated covers and holes **[D]**.

WIRING DIAGRAMS

- [1] 3-ph, 2-wire, balanced load, 1-CT connection.
- [2] 3-ph, 2-wire, balanced load, 1-CT and 1-VT/PT connections
- [3] 3-ph, 4-wire, unbalanced load, 3-CT connection
- [4] 3-ph, 3-wire, balanced load, 1-CT and 3-VT/PT connections
- [5] 3-ph, 4-wire, unbalanced load, 3-CT and 3-VT/PT connections
- [6] 3-ph, 3-wire, unbalanced load, 3-CT connection
- [7] 3-ph, 3-wire unbalanced load, 3-CT and 2-VT/PT connections
- [8] 3-ph, 3-wire, balanced load, 1-CT connections
- [9] 3-ph, 3-wire, unbalanced load, 2-CT connections (ARON)
- [10] 3-ph, 3-wire, balanced load, 1-CT and 2-VT/PT connections
- [11] 2-ph, 3-wire, 2-CT connection
- [12] 2-ph, 3-wire, 2-CT and 2-VT/PT connections
- [13] 1-ph, 2-wire, 1-CT connection
- [14] 1-ph, 2-wire, 1-CT and 1-VT connections
- [15] 3-ph, 3-wire, unbalanced load, 2-CT and 2-VT/PT connections ARON
- [16] Power supply 90 to 260VAC/DC. F=250V [T] 630mA.
Power supply 18 to 60VAC/DC. F=250V [T] 3.15A.

ITALIANO



Leggere attentamente il manuale di istruzioni. Qualora l'apparecchio venisse adoperato in un modo non specificato dal costruttore, la protezione prevista dall'apparecchio potrebbe essere compromessa. **Manutenzione:** Per mantenerne pulito lo strumento usare un panno inumidito; non usare abrasivi o solventi. Si consiglia di scollegare lo strumento prima di eseguire la pulizia.

ATTENZIONE: assicurarsi che la coppia di serraggio applicata alle viti dei morsetti sia di: 0,5Nm. TUTTE LE OPERAZIONI DI MONTAGGIO E SMONTAGGIO DELLO STRUMENTO E DEI MODULI VANNO ESEGUITE CON ALIMENTAZIONE E CARICO SCOLLEGATI.

Operazione preliminare: smontare, se necessario, la finestra di protezione

dei contatti **[A]**, utilizzando un apposito cacciavite a taglio.

Blocco della programmazione e LED di presenza alimentazione: per bloccare la programmazione dello strumento agire (ruotandolo in senso orario) sul commutatore rotante **[B]** portandolo nella posizione 7, per sbloccare la programmazione portarlo nella posizione 1. Il LED verde acceso **[C]** avvisa che lo strumento è alimentato.

Sigillatura dei moduli e dello strumento: per bloccare i moduli agire (ruotandoli in senso orario) sugli appositi elementi di fissaggio posti agli angoli dei moduli stessi **[E]**, utilizzando un adeguato cacciavite a taglio **[F]**. Il sigillo va apposto utilizzando i fori e i copri morsetti dedicati **[D]**.

COLLEGAMENTI ELETTRICI

- [1] 3 fasi, 2 fili, carico equilibrato, connessione con 1 TA
- [2] 3 fasi, 2 fili, carico equilibrato, connessione con 1TA e 1 VT
- [3] 3 fasi, 4 fili, carico squilibrato, connessione con 3 TA
- [4] 3 fasi, 3 fili, carico equilibrato, connessione con 1 TA e 3 VT
- [5] 3 fasi, 4 fili, carico squilibrato, connessione con 3 TA e 3 VT
- [6] 3 fasi, 3 fili, carico squilibrato, connessione con 3 TA
- [7] 3 fasi, 3 fili, carico squilibrato, connessione con 3 TA e 2 VT
- [8] 3 fasi, 3 fili, carico equilibrato, connessione con 1 TA
- [9] 3 fasi, 3 fili, carico squilibrato, connessione con 2 TV (ARON)
- [10] 3 fasi, 3 fili, carico equilibrato, connessione con 1 TA e 2 VT
- [11] 2 fasi, 3 fili, connessioni con 2 TA
- [12] 2 fasi, 3 fili, connessioni con 2 TA e 2 VT
- [13] 1 fase, 2 fili, connessione con 1TA
- [14] 1 fase, 2 fili, connessione con 1 TA e 1 VT
- [15] 3 fasi, 3 fili, carico squilibrato, connessione con 2 TA e 2 TV (ARON)
- [16] Alimentazione da 90 a 260VCA/CC. F=250V [T] 630mA.
Alimentazione da 18 a 60VCA/CC. F=250V [T] 3.15A.

DEUTSCH



Die Betriebsanleitung aufmerksam lesen. Sollte das Gerät nicht gemäss der Herstellerangaben verwendet werden, könnte der vom Gerät vorgesehene Schutz beeinträchtigt werden.

Wartung: Das Gerät mit einem feuchten Tuch reinigen; keine Scheuer- oder Lösemittel verwenden. Das Gerät vor der Reinigung ausschalten

ACHTUNG: Darauf achten, dass das Anzugsmoment der Klemmschrauben 0,5Nm beträgt. SOWOHL BEI DER MONTAGE, ALS AUCH BEIM AUSBAU DES GERÄTES UND DER MODULE MÜSSEN STROMVERSORGUNG UND STROMLAST STETS VORHER ABGETRENNT WERDEN.

Vorbereitung: Gegebenenfalls das Schutzfenster der Kontakte **[A]** mit einem Schlitzschraubenzieher entfernen.

Programmierungssperre und LED Stromversorgung vorhanden: Um die Programmierung des Gerätes zu sperren, den Drehschalter **[B]** im Uhrzeigersinn auf Position 7 drehen, für die erneute Freigabe auf Position 1. Das Leuchten der grünen LED **[C]** zeigt an, dass das Gerät mit Strom versorgt wird.

Versiegelung der Module und des Geräts: Die Befestigung der Module erfolgt (durch Drehen derselben im Uhrzeigersinn) über die an den Ecken vorgesehenen Befestigungselemente **[E]**, mit Hilfe eines passenden Schlitzschraubenziehers **[F]**. Das Siegel wird über die hierfür vorgesehenen Löcher und Klemmendeckel **[D]** angebracht.

ELEKTRISCHE ANSCHLÜSSE

- [1] 3 Phasen, 2 Adern, symmetrische Last, Anschluss mit 1 TA

- [2] 3 Phasen, 2 Adern, symmetrische Last, Anschluss mit 1 TA und 1 VT
- [3] 3 Phasen, 4 Adern, unsymmetrische Last, Anschluss mit 3 TA
- [4] 3 Phasen, 3 Adern, symmetrische Last, Anschluss mit 1 TA und 3 VT
- [5] 3 Phasen, 4 Adern, unsymmetrische Last, Anschluss mit 3 TA und 3 VT
- [6] 3 Phasen, 3 Adern, unsymmetrische Last, Anschluss mit 3 TA
- [7] 3 Phasen, 3 Adern, unsymmetrische Last, Anschluss mit 3 TA und 2 VT
- [8] 3 Phasen, 3 Adern, symmetrische Last, Anschluss mit 1 TA
- [9] 3 Phasen, 3 Adern, unsymmetrische Last, Anschluss mit 2 TV (ARON)
- [10] 3 Phasen, 3 Adern, symmetrische Last, Anschluss mit 1 TA und 2 VT
- [11] 2 Phasen, 3 Adern, Anschlüsse mit 2 TA
- [12] 2 Phasen, 3 Adern, Anschlüsse mit 2 TA und 2 VT
- [13] 1 Phase, 2 Adern, Anschluss mit 1 TA
- [14] 1 Phase, 2 Adern, Anschluss mit 1 TA und 1 VT
- [15] 3 Phasen, 3 Adern, unsymmetrische Last, Anschluss mit 2 TA und 2 TV (ARON)
- [16] Stromversorgung von 90 bis 260 VAC/DC. F=250V [T] 630mA.
Stromversorgung von 18 bis 60 VAC/DC. F=250V [T] 3.15A.

FRANÇAIS



Lire attentivement le manuel de l'utilisateur. Si l'appareil est utilisé dans des conditions différentes de celles spécifiées par le fabricant, le niveau de protection prévu par l'instrument peut être compromis. **Entretien:** Pour nettoyer l'instrument, utiliser un chiffon humide; ne pas utiliser d'abrasifs ou de solvants. Il faut déconnecter le dispositif avant de procéder au nettoyage.

ATTENTION: s'assurer que le couple de serrage appliqué aux vis des bornes soit de : 0,5Nm. POUR TOUTES LES OPERATIONS DE MONTAGE ET DÉMONTAGE DE L'INSTRUMENT ET DES MODULES IL FAUT QUE L'ALIMENTATION ET LA CHARGE SOIENT DÉBRANCHÉES.

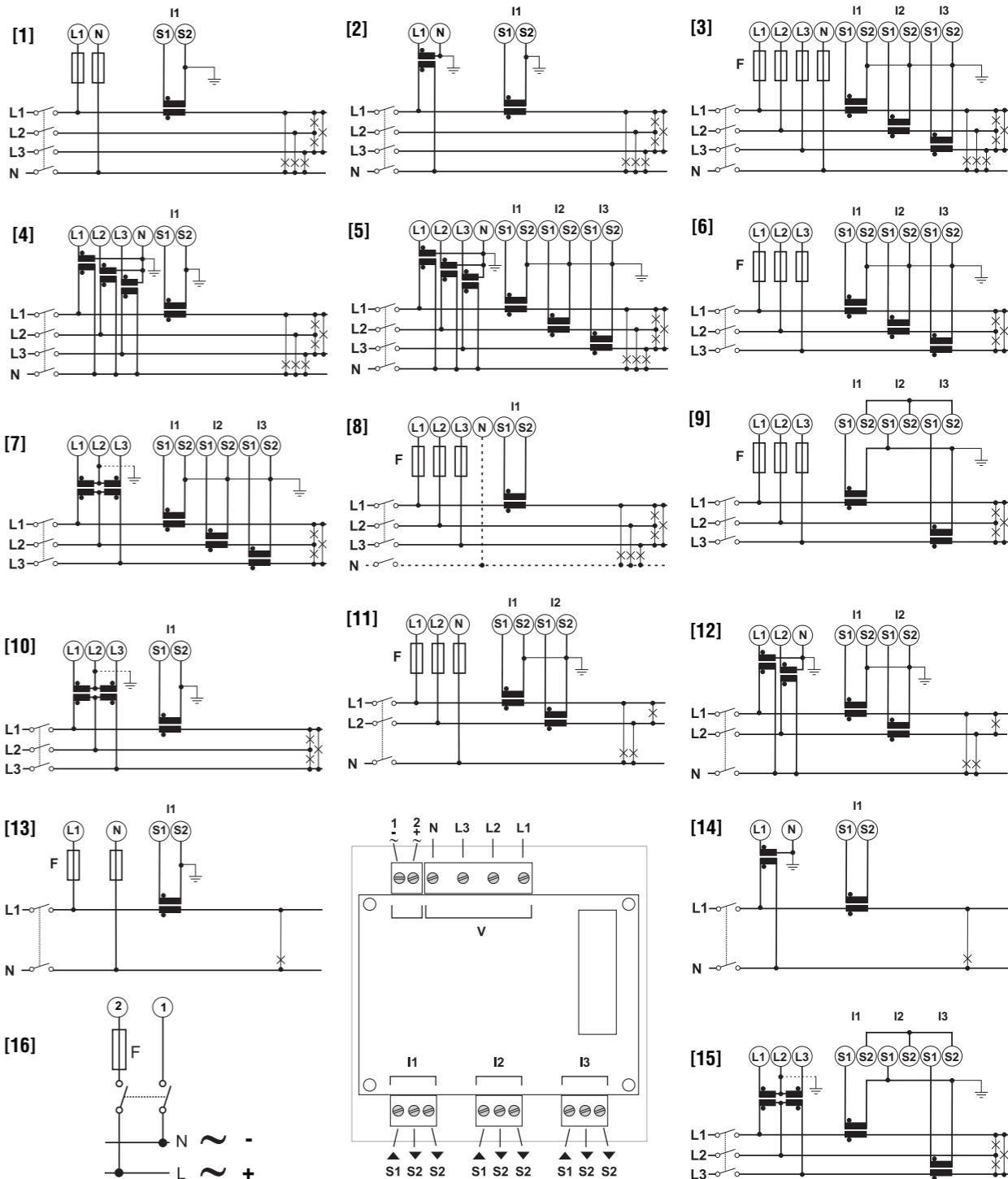
Opération préliminaire: démonter, si nécessaire, la fenêtre de protection des contacts **[A]**, en utilisant un tournevis plat approprié.

Bloqueo de la programación y LED para la presencia d'alimentación: pour bloquer la programmation de l'instrument, agir (en le tournant dans le sens des aiguilles d'une montre) sur le commutateur rotatif **[B]** en le mettant sur la position 7, pour débloquent la programmation, le mettre sur la position 1. Le LED vert allumé **[C]** signale que l'instrument est alimenté.

Sceller les modules et l'instrument: pour bloquer les modules, agir (en les tournant dans le sens des aiguilles d'une montre) sur les éléments de fixation prévus à cet effet, situés aux angles des modules mêmes **[E]**, en utilisant un tournevis plat adéquat **[F]**. Le sceau doit être posé en utilisant les trous et les couvre-bornes prévus pour à cet effet **[D]**.

BRANCHEMENTS ÉLECTRIQUES

- [1] 3 phases, 2 fils, charge équilibrée, connexion avec 1 TA
- [2] 3 phases, 2 fils, charge équilibrée, connexion avec 1TA et 1 VT
- [3] 3 phases, 4 fils, charge déséquilibrée, connexion avec 3 TA
- [4] 3 phases, 3 fils, charge équilibrée, connexion avec 1 TA et 3 VT
- [5] 3 phases, 4 fils, charge déséquilibrée, connexion avec 3 TA et 3 VT
- [6] 3 phases, 3 fils, charge déséquilibrée, connexion avec 3 TA
- [7] 3 phases, 3 fils, charge déséquilibrée, connexion avec 3 TA et 2 VT
- [8] 3 phases, 3 fils, charge équilibrée, connexion avec 1 TA
- [9] 3 phases, 3 fils, charge déséquilibrée, connexion avec 2 TV (ARON)
- [10] 3 phases, 3 fils, charge équilibrée, connexion avec 1 TA et 2 VT
- [11] 2 phases, 3 fils, connexions avec 2 TA
- [12] 2 phases, 3 fils, connexions avec 2 TA et 2 VT



- [13] 1 phase, 2 fils, connexion avec 1TA
- [14] 1 phase, 2 fils, connexion avec 1 TA et 1 VT
- [15] 3 phases, 3 fils, charge déséquilibrée, connexion avec 2 TA et 2 TV (ARON)
- [16] Alimentation de 90 à 260VCA/CC. F=250V [T] 630mA.
Alimentation de 18 à 60VCA/CC. F=250V [T] 3.15A.

ESPAÑOL



Lea atentamente el manual de instrucciones. Si el instrumento se usa de modo distinto al indicado por el fabricante, la protección de seguridad ofrecida por el instrumento podrá resultar dañada. **Mantenimiento:** para limpiar el equipo utilizar siempre un trapo ligeramente humedecido, nunca productos abrasivos o disolventes. Se recomienda desconectar siempre el instrumento antes de limpiarlo.

ATENCIÓN: asegúrese de que el par de apriete aplicado a los tornillos sea de: 0,5Nm. TODAS LAS OPERACIONES DE MONTAJE Y DESMONTAJE DEL INSTRUMENTO Y DE LOS MÓDULOS DEBE REALIZARSE CON LA ALIMENTACIÓN Y LA CARGA DESCONECTADAS.

Operación preliminar: desmonte, si lo necesita, la ventana de protección de los contactos **[A]**, utilizando su propio destornillador de punta plana.

Bloqueo de la programación y LED de alimentación ON: para bloquear la programación del instrumento gire en el sentido de las agujas del reloj el conmutador giratorio **[B]** llevándolo a la posición 7, para desbloquear la programación llévelo a la posición 1. El LED verde encendido **[C]** indica que el instrumento está alimentado.

Sellado de los módulos y del instrumento: para bloquear los módulos gire

en el sentido de las agujas del reloj los específicos elementos de fijación de los extremos de los módulos **[E]**, utilizando un adecuado destornillador de punta plana **[F]**. Para sellar el equipo use las cubiertas y orificios específicos **[D]**.

CONEXIONES ELÉCTRICAS

- [1] Trifásico, 2 hilos, carga equilibrada, conexión mediante 1 CT
- [2] Trifásico, 2 hilos, carga equilibrada, conexión mediante 1 CT y 1 VT/PT
- [3] Trifásico, 4 hilos, carga desequilibrada, conexión mediante 3 CT
- [4] Trifásico, 3 hilos, carga equilibrada, conexión mediante 1 CT y 3 VT/PT
- [5] Trifásico, 4 hilos, carga desequilibrada, conexión mediante 3 CT y 3 VT/PT
- [6] Trifásico, 3 hilos, carga desequilibrada, conexión mediante 3 CT
- [7] Trifásico, 3 hilos, carga desequilibrada, conexión mediante 3 CT y 2 VT/PT
- [8] Trifásico, 3 hilos, carga equilibrada, conexión mediante 1 CT
- [9] Trifásico, 3 hilos, carga desequilibrada, conexión mediante 2 CT (ARON)
- [10] Trifásico, 3 hilos, carga equilibrada, conexión mediante 1 CT y 2 VT/PT
- [11] Bifásico, 3 hilos, conexiones mediante 2 CT
- [12] Bifásico, 3 hilos, conexiones mediante 2 CT y 2 VT/PT
- [13] Monofásico, 2 hilos, conexión mediante 1 CT
- [14] Monofásico, 2 hilos, conexión mediante 1 CT y 1 VT/PT
- [15] Trifásico, 3 hilos, carga desequilibrada, conexión mediante 2 CT y 2 VT/PT (ARON)
- [16] Alimentación de 90 a 260VCA/CC. F=250V [T] 630mA.
Alimentación de 18 a 60VCA/CC. F=250V [T] 3.15A.

CT = Trafo de intensidad, VT = Trafo de tensión, PT = Trafo de potencia

ENGLISH — 397

Rated inputs, system type: 1, 2 or 3-phase. Galvanic insulation by means of built-in CT's. Current range (by CT) AV5 and AV6: 5(6)A; AV4 and AV7: 1(2)A. Voltage (by direct connection or VT/PT) AV4, AV5: 400/690VLL; AV6, AV7: 100/208VLL. **Accuracy** (Display + RS485) (@25°C ±5°C, R.H. ≤60%, 48 to 62 Hz). In: see below, Un: see below AV4 model In: 1A, Imax: 2A; Un: 160 to 480VLN (277 to 830VLL). AV5 model In: 5A, Imax: 6A; Un: 160 to 480VLN (277 to 830VLL). AV6 model, In: 5A, Imax: 6A; Un: 40 to 144VLN (70 to 250VLL), AV7 model In: 1A, Imax: 2A; Un: 40 to 144VLN (70 to 250VLL). Current AV4, AV5, AV6, AV7 models from 0.01In to 0.05In: ±(0,5% RDG +2DGT). From 0.05In to Imax: ±(0,2% RDG +2DGT). Phase-neutral voltage: In the range Un: ±(0,2% RDG +1DGT). Phase-phase voltage: In the range Un: ±(0,5% RDG +1DGT). Frequency: ±0.1Hz (45 to 65Hz). Active and Apparent power: 0.01In to 0.05In, PF 1: ±(1%RDG+1DGT) From 0.05In to Imax PF 0.5L, PF1, PF0,8C: ±(0,5%RDG+1DGT). Power Factor ±[0.001+0.5%*(1.000 - “PF RDG”)]. Reactive power 0.1In to Imax, senφ 0.5L/C: ±(1%RDG+1DGT). 0.05In to 0.1In, senφ 0.5L/C: ±(1,5%RDG+1DGT), 0.05In to Imax, senφ 1: ±(1%RDG+1DGT) 0.02In to 0.05In, senφ 1: ±(1,5%RDG+1DGT). Active energy, class 0.5 according to EN62053-22, ANSI C12.20, class C according to EN50470-3. Reactive energy class 1 according to EN62053-23, ANSI C12.1. Start up current AV5, AV6: 5mA. Start up current AV4, AV7 1mA. **Energy additional errors:** according to EN62053-22, ANSI C12.20. Influence quantities, class B or C according to EN50470-3, EN62053-23, ANSI C12.1. **Total Harmonic Distortion (THD)** ±1% FS (FS: 100%). AV4: Imin: 5mARMS; Imax: 15Ap; Umin: 30VRMS; Umax: 585Vp. AV5: Imin: 5mARMS; Imax: 15Ap; Umin: 30VRMS; Umax: 585Vp. AV6: Imin: 5mARMS; Imax: 15Ap; Umin: 30VRMS; Umax: 585Vp. AV7: Imin: 5mARMS; Imax: 15Ap; Umin: 30VRMS; Umax: 585Vp. **Temperature drift** ≤200ppm/°C. **Sampling rate** 3200 samples/s @ 50Hz, 3840 samples/s @ 60Hz. Method TRMS measurements of distorted wave forms. Coupling type by means of CT's. **Crest factor**, AV5, AV6: ≤3 (15A max. peak), AV4, AV7: ≤3 (3A max. peak). **Current Overloads**, continuous (AV5 and AV6) 6A, @ 50Hz. Continuous (AV4 and AV7) 2A, @ 50Hz. For 500ms (AV5 and AV6) 120A, @ 50Hz. For 500ms (AV4 and AV7) 40A, @ 50Hz. **Voltage Overloads**, continuous 1.2 Un. For 500ms 2 Un. **Input impedance**, 400VL-L (AV4 and AV5) >1,6MΩ; 208VL-L (AV6 and AV7) >1,6MΩ. 5(10)A (AV5 and AV6) <0,2VA. 1(2)A (AV4 and AV7) <0,2VA. **Frequency** 40 to 440 Hz. **Meters**. Total 4 (9+1 digit). Partial 4 (9+1 digit). **Pulse output** connectable to total and/or partial meters. **Energy meter recording**, storage of total and partial energy meters. Energy meter storage format (EEPROM) Min. -9,999,999,999.9 kWh/kvarh, Max. 9,999,999,999.9 kWh/kvarh. **Energy Meters**, total energy meters +kWh, +kvarh, -kWh, -kvarh. Partial energy meters +kWh, +kvarh, -kWh, -kvarh. **Analysis principle** FFT. **Harmonic measurement**. Current up to the 32nd harmonic. Voltage up to the 32nd harmonic. **Type of harmonics** THD (VL1 and VL1-N). The same for the other phases: L2, L3. THD (AL1). The same for the other phases: L2, L3. **System:** the harmonic distortion can be measured in 3-wire or 4-wire systems. Tw: 0.02 sec@50Hz without filter. **Power supply** H: 90 to 260VAC/DC; L: 18 to 60VAC/DC (48 to 62Hz). Power consumption AC: 6 VA; DC: 3.5 W.

Operating temperature -25°C to +55°C (-13°F to 131°F) (R.H. from 0 to 90% non-condensing @ 40°C) according to EN62053-21, EN50470-1 and EN62053-23. **Storage temperature** -30°C to +70°C (-22°F to 158°F) (R.H. < 90% non-condensing @ 40°C) according to EN62053-21, EN50470-1 and EN62053-23. **Installation category** Cat. III (IEC60664, EN60664). **Dielectric strength** 4000 VRMS for 1 minute. **Noise rejection** CMRR 100 dB, 48 to 62 Hz. **EMC** according to EN62052-11. Electrostatic discharges: 15kV air discharge. Immunity to irradiated: test with current: 10V/m from 80 to 2000MHz. Electromagnetic fields: test without any current: 30V/m from 80 to 2000MHz. Burst: on current and voltage measuring inputs circuit: 4kV. Immunity to conducted disturbances: 10V/m from 150KHz to 80MHz. Surge: on current and voltage measuring inputs circuit: 4kV; on “L” auxiliary power supply input: 1kV. Radio frequency suppression: according to CISPR 22. **Standard compliance:** safety: IEC60664, IEC61010-1 EN60664, EN61010-1 EN62052-11. Metrology EN62053-21, EN62053-23, EN50470-3. Pulse output: DIN43864, IEC62053-31. **Approvals:** CE, cULus “Listed”. **Connections:** Screw-type. Screw-type. Cable cross-section area: max. 2.5 mm2. Min./max. Screws tightening torque: 0.4 Nm / 0.8 Nm. Suggested: 0.5 Nm. Module holder: 96x96x50mm. “A” and “B” type modules: 89.5x63x16mm. “C” type module: 89.5x63x20mm. Max. depth behind the panel. With 3 modules (A+B+C): 81.7 mm. Material, ABS, self-extinguishing: UL 94 V-0. **Protection degree**, front: IP65, NEMA4x, NEM12. Screw terminals: IP20.

ITALIANO — 397

Ingressi di misura. Sistema: 1, 2 o 3 fasi. Isolamento galvanico mediante TA integrati. Portata corrente (TA) AV5 e AV6: 5(6)A. AV4 e AV7: 1(2)A. Tensione (connesione diretta o TV) AV4, AV5: 400/690VLL; AV6, AV7: 100/208VLL. **Precisione** (Display + RS485) (@25°C ±5°C, R.H. ≤60%, 48 to 62 Hz) In: vedere sotto, Un: vedere sotto, Modello AV4, In: 1A, Imax: 2A; Un: da 160 a 480VLN (da 277 a 830VLL). Modello AV5, In: 5A, Imax: 6A; Un: da 160 a 480VLN (da 277 a 830VLL). Modello AV6 In: 5A, Imax: 6A; Un: da 40 a 144VLN (da 70 a 250VLL). Modello AV7 In: 1A, Imax: 2A; Un: da 40 a 144VLN (da 70 a 250VLL). Corrente, modelli AV4, AV5, AV6, AV7 Da 0,01In a 0,5In: ±(0,5% RDG +2DGT). Da 0,05In a Imax: ±(0,2% RDG +1DGT). Tensione fase-neutro, nel campo Un: ±(0,2% RDG +1DGT). Tensione fase-fase, nel campo Un: ±(0,5% RDG +1DGT). Frequenza ±0,1Hz (da 45 a 65Hz). Potenza attiva ed apparente: da 0,01In a 0,05In, cosφ 1: ±(1% RDG +1DGT), da 0,05In a Imax, cosφ 0,5L, cosφ 1, cosφ 0,8C: ±(0,5% RDG +1DGT). Fattore di potenza: ±[0.001+0.5%*(1.000 - “PF RDG”)]. Potenza reattiva, da 0,1In a Imax, senφ 0,5L/C: ±(1%RDG+1DGT), da 0,05In a 0.1In, senφ 0,5L/C: ±(1,5%rRDG+1DGT), da 0.05In a Imax, senφ 1: ±(1%RDG+1DGT), da 0,02In a 0,05In, senφ 1: ±(1,5%RDG+1DGT). Energia attiva: Classe 0,5 secondo EN62053-22, ANSI C12.20 Classe C secondo EN50470-3. Energia reattiva Classe 1 secondo EN62053-23, ANSI C12.1. Corrente di avvio AV5, AV6 5mA. Corrente di avvio AV4, AV7 1mA. **Errori addizionali** secondo EN62053-22, ANSI C12.20. Grandezze di influenza Classe B o C secondo EN50470-3, EN62053-23, ANSI C12.1. **Distorsione armonica totale (THD):** ±1% FS (FS: 100%), AV4: Imin: 5mARMS; Imax: 15Ap; Umin: 30VRMS; Umax: 585Vp, AV5: Imin: 5mARMS; Imax: 15Ap; Umin: 30VRMS; Umax: 585Vp, AV6: Imin: 5mARMS; Imax: 15Ap; Umin: 30VRMS; Umax: 585Vp, AV7: Imin: 5mARMS; Imax: 15Ap; Umin: 30VRMS; Umax: 585Vp. **Deriva termica:** ≤200ppm/°C. **Frequenza di campionamento:** 3200 campioni/s @ 50Hz, 3840 campioni/s @ 60Hz. **Misure**, metodo TRMS misura delle forma d’onda distorte. Tipo di accoppiamento Mediante TA. **Fattore di cresta** AV5, AV6: ≤3 (15A max. picco) AV4, AV7: ≤3 (3A max. picco). **Sovraccarico corrente:** continuo (AV5 e AV6) 6A, @ 50Hz. Continuo (AV4 e AV7) 2A, @ 50Hz. Per 500ms (AV5 e AV6) 120A, @ 50Hz. Per 500ms (AV4 e AV7) 40A, @ 50Hz. **Sovraccarico:** continuo 1,2 Un. Per 500ms 2 Un. **Impedenza d’ingresso:** 400VLL (AV4 e AV5) >1,6MΩ. 208VLL (AV6 e AV7) >1,6MΩ. 5(10)A (AV5 e AV6) <0,2VA. 1(2)A (AV4 e AV7) <0,2VA. **Frequenza** da 40 a 440 Hz. **Cotatori:** totali, 4 (9+1 digit). Parziali, 4 (9+1 digit). **Uscita impuls:** associabile ai contatori parziali e/o totali. **Registrazione dei contatori:** memorizzazione dei contatori parziali e totali. Formato dei contatori memorizzati (EEPROM) Min. -9,999,999,999.9 kWh/kvarh. Max. 9,999,999,999.9 kWh/kvarh. **Contatori di energia:** totali, +kWh, +kvarh, -kWh, -kvarh. Parziali, +kWh, +kvarh, -kWh, -kvarh. **Principio dell’analisi** FFT. **Misura dell’armonica**, corrente, fino alla 32a armonica. Tensione, fino alla 32a armonica. **Tipi di armoniche** THD (VL1 e VL1-N) lo stesso per le altre fasi: L2, L3. THD (AL1) lo stesso per le altre fasi L2, L3. **Sistema:** la distorsione armonica è misurabile sia in un sistema 3 fili che 4 fili. Tw: 0,02 sec@50Hz senza filtro. **Alimentazione:** H: da 90 a 260VAC/DC; L: da 18 a 60VCA/CC (da 48 a 62Hz). Autoconsumo CA: 6VA; CC: 3,5W.

Temperatura di funzionamento da -25°C a +55°C (da -13°F a 131°F) (U.R. da 0 a 90% senza condensa @ 40°C) secondo EN62053-21 e EN62053-23. **Temperatura di immagazzinamento** da -30°C a +70°C (da -22°F a 140°F) (U.R. <90% senza condensa @ 40°C) secondo EN62053-21 e EN62053-23. **Categoria di installazione:** Cat. III (IEC60664, EN60664). **Isolamento (per 1 minuto)** 4000 VRMS tra ingressi di misura ed alimentazione. 4000 VRMS tra alimentazione e RS485/uscite digitali. **Rigidità dielettrica** 4000 VRMS per 1 minuto. **Reiezione** CMRR 100 dB, da 48 a 62 Hz. **EMC** secondo EN62052-11. Scariche elettrostatiche 15kV scarica in aria; Immunità campi elettromagnetici irradianti, provato con corrente applicata: 10V/m da 80 a 2000MHz; provato senza corrente applicata: 30V/m da 80 a 2000MHz. Immunità ai transitori veloci, sui circuiti degli ingressi di misura in corrente e tensione: 4kV. Immunità ai radiodisturbi condotti: 10V/m da 150KHz a 80MHz. Immunità ad impulso, sui circuiti degli ingressi di misura in corrente e tensione: 4kV; sull'alimentazione “L”: 1kV. Emissioni in radiofrequenza: secondo CISPR 22. **Conformità alle norme:** sicurezza IEC60664, IEC61010-1 EN60664, EN61010-1 EN62052-11. Metrologia: EN62053-21, EN50470-3, EN62053-23. Uscita impulsiva DIN43864, IEC62053-31. Approvazioni: CE, cULus listed. **Connessioni:** a vite. Sezione del cavo: max. 2,5 mm2. Coppia min./max serraggio: 0,4 Nm / 0,8 Nm. Consigliata: 0,5 Nm. **Custodia:** dimensioni (LxAxP) modulo base: 96x96x50mm. Moduli tipo “A” e “B”: 89,5x63x16mm. Modulo tipo “C”: 89,5x63x20mm. Ingombro massimo dietro il pannello Con 3 moduli (A+B+C): 81,7 mm. Materiale: nylon PA66, autoestinguenza: UL 94 V-0. Montaggio a pannello. **Grado di protezione:** frontale: IP65, NEMA4x, NEM12. Morsetti: IP20.

DEUTSCH — 397

Messeingänge: Phasensystem: Systemcode: 1, 2 oder 3. Strommessung: Galvanische Isolation durch integrierte Stromwandler. Strombereich (Stromwandler) AV5 und AV6: 5(6)A. AV4 und AV7: 1(2)A. Spannung (Direktmessung oder Spannungswandler) AV4, AV5: 400/690VLL; AV6, AV7: 100/208VLL. **Genauigkeit** (Anzeige + RS485) (bei 25°C ±5°C, R.F. ≤60%, 48 bis 62 Hz) In: Nennstrom, Un: Nennspannung: Modell AV4, In: 1A, Imax: 2A; Un: 160 bis 480VLN (277 bis 830VLL). Modell AV5, In: 5A, Imax: 6A; Un: 160 bis 480VLN (277 bis 830VLL). Modell AV6, In: 5A, Imax: 6A; Un: 40 bis 144VLN (70 bis 250VLL). Modell AV7, In: 1A, Imax: 2A; Un: 40 bis 144VLN (70 bis 250VLL). Strom Modelle AV4, AV5, AV6, AV7 VON 0,01In bis 0,5In: ±(0,5% RDG +2stellig). Von 0,05In bis Imax: ±(0,2% RDG +2stellig). Spannung Phase - N Bereich Un: ±(0,2% RDG +1stellig). Spannung Phase - Phase Bereich Un: ±(0,5% RDG +1stellig). Frequenz: ±0.1Hz (45 bis 65Hz). Wirk- und Scheinleistung: 0,01In bis 0,05In, PF 1: ±(1%RDG+1stellig). VON 0,05In bis Imax. PF 0,5L, PF1, PF0,8C: ±(0,5%RDG+1stellig). Leistungsfaktor: ±[0,001+0,5%*(1,000 - “PF RDG”)]. Blindleistung: 0,1In bis Imax, senφ 0,5L/C: ±(1%RDG+1stellig). 0,05In bis 0,1In, senφ 0,5L/C: ±(1,5%RDG+1stellig). 0,05In bis Imax, senφ 1: ±(1%RDG+1stellig). 0,02In bis 0,05In, senφ 1: ±(1,5%RDG+1stellig). Energie: Klasse 0,5 gemäß EN62053-22, ANSI C12.20. Klasse C gemäß EN50470-3. Blindleistung: Klasse 1 gemäß EN62053-23, ANSI C12.1. Startstrom AV5, AV6 5mA. Startstrom AV4, AV7 1mA. **Zusätzlicher Energiefehler:** gemäß EN62053-22, ANSI C12.20, Bereichsüberschreitungs-abhängig: Klasse B oder C gemäß EN50470-3, EN62053-23, ANSI C12.1. **Gesamte Harmonische Verzerrung (THD):** ±1% BE (BE: 100%). AV4: Imin: 5mARMS; Imax: 15Ap; Umin: 30VRMS; Umax: 585Vp. AV5: Imin: 5mARMS; Imax: 15Ap; Umin: 30VRMS; Umax: 585Vp. AV6: Imin: 5mARMS; Imax: 15Ap; Umin: 30VRMS; Umax: 585Vp. AV7: Imin: 5mARMS; Imax: 15Ap; Umin: 30VRMS; Umax: 585Vp. **Temperaturdrift:** ≤200ppm/°C. **Abtaststrate** 3200 Abtastwertes/s bei 50Hz, 3840 Abtastwertes/s bei 60Hz. Messmethode TRMS-Messungen von verzerrten Wellenformen. Wandleranschluss Durch Stromwandler. **Scheitelwertfaktor:** AV5, AV6: ≤3 (15A Höchstspitze). AV4, AV7: ≤3 (3A Höchstspitze). **Überlaststrom:** Dauer (AV5 und AV6) 6A, bei 50Hz. Dauer (AV4) 2A, bei 50Hz. Für 500ms (AV5 und AV6) 120A, bei 50Hz. Für 500ms (AV4 uund AV7) 40A, bei 50Hz. **Überlastspannung:** Dauer 1,2 Un. Für 500ms 2 Un. **Eingangsimpedanz:** 400VL-L (AV4 und AV5) >1,6MΩ. 208VL-L (AV6 und AV7) >1,6MΩ. 5(10)A (AV5 und AV6) <0,2VA. 1(2)A (AV4 und AV7) <0,2VA. **Frequenz:** 40 bis 440 Hz. **Zähler:** Gesamt 4 (9+1 Ziffern). Partiell 4 (9+1 Ziffern). **Impulsausgang:** Anschließbar an Gesamtund/oder Teilzähler. **Aufzeichnung der Energiemessung:** Aufzeichnung von Gesamt- und Teilenergiemessung. Aufzeichnung der Energiemessung(EEPROM) Min. -9,999,999,999.9 kWh/kvarh. Max. 9,999,999,999.9 kWh/kvarh. **Energiezähler:** Gesamte Energiezähler +kWh, +kvarh, -kWh, -kvarh. Teilenergiezähler +kWh, +kvarh, -kWh, -kvarh. **Analyseprinzip:** FFT. **Wellenmessung:** Strom Bis zur 32. Harmonischen: Spannung Bis zur 32. Harmonischen. **Wellentypen:** THD (VL1 y VL1-N) Dasselbe für andere Phasen: L2, L3. THD (AL1) Dasselbe für andere Phasen: L2, L3. **System:** Die harmonische Verzerrung kann in Systemen mit 3 oder 4 Leiter gemessen werden. Tw: 0,02 sec@50Hz ohne Filter. **Modelle mit Hilfsstromversorgung:** H: 90 bis 260VAC/DC; L: 18 bis 60VAC/DC (48 bis 62Hz). **Leistungsaufnahme:** AC: 6 VA; DC: 3,5 W. **Betriebstemperatur** -25°C bis +55°C (-13°F bis 131°F) (R.F. von 0 bis 90% nicht kondensierend bei 40°C) gemäß EN62053-21, EN50470-1 und EN62053-23. **Lagertemperatur:** -30°C bis +70°C (-22°F bis 158°F) (R.F. < 90% nicht kondensierend bei 40°C) gemäß EN62053-21, EN50470-1 und EN62053-23. **Installationskategorie:** Kat. III (IEC60664, EN60664). **Durchschlagfestigkeit:** 4kVAC RMS für 1 Minute. **Rauschdrückungsverhältnis:** GTUV 100 dB, 48 bis 62 Hz. **EMC:** According to EN62052-11. Elektrostatische Entladungen: 15kV air discharge; Strahlungsimmunität: Test mit angelegten Strom: 10V/m von 80 bis 2000MHz; Elektromagnetfeld. Test ohne angelegten Strom: 30V/m von 80 bis 2000MHz; Ladungsimpuls: Am Strom- und Eingangsspannungsmesskreis: 4kV. Leiterstörungsimmunität: 10V/m von 150KHz bis 80MHz. Überspannungsfestigkeit: Strom- und Eingangsspannungsmesskreis: 4kV; an „L“ Hilfsstromversorgungs-eingang: 1kV; Störausstrahlung Gemäß CISPR 22. **Standardkonformität:** Sicherheit: IEC60664, IEC61010-1 EN60664, EN61010-1 EN62052-11. Messungen: EN62053-21, EN62053-23, EN50470-3. MID “Anhang MI-003”. Impulsausgang: DIN43864, IEC62053-31. Zulassungen: CE, cULus “Listed”. **Anschlüsse:** Schraubklemmen, Kabelquerschnitt: 2,5 mm2. Min./Max. Anzugsmoment: 0,4 Nm / 0,8 Nm. Empfohlene Anzugsmoment: 0,5 Nm. **Gehäuse DIN** Abmessungen (LxHxB): 96x96x50mm. Tiefe hinter der DIN-Schiene Mit 3 Modulen (A+B+C): 81,7 mm. Material ABS, selbstlöschend: UL 94 V-0. Montage: DIN-Schiene. **Schutzgrad:** Vorderseite, IP65, NEMA4x, NEM12. Schraubklemmen: IP20.

FRANÇAIS — 397

Entrées nominales. Type de réseau: 1, 2 ou 3-phases. Type de courant: Isolation galvanisée par TC incorporé. Plage de courant (par TC) AV5 et AV6: 5(6)A. AV4 et AV7: 1(2)A. Tension direct ou par TT/TP AV4, AV5: 400/690VLL; AV6, AV7: 100/208VLL. **Précision** (Afficheur + RS485) (@25°C ±5°C, H.R. ≤60%, 48 à 62 Hz) In: voir ci-dessous, Un: voir ci-dessous, Modèle AV4 In: 1A, Imax: 2A; Un: 160 à 480VLN (277 à 830VLL). Modèle AV5 In: 5A, Imax: 6A; Un: 160 à 480VLN (277 à 830VLL). Modèle AV6 In: 5A, Imax: 6A; Un: 40 à 144VLN (70 à 250VLL). Modèle AV7 In: 1A, Imax: 2A; Un: 40 à 144VLN (70 à 250VLL). Courant modèles AV4, AV5, AV6, AV7. De 0,01In à 0,5In: ±(0,5% RDG +2DGT). De 0,05In à Imax: ±(0,2% RDG +2DGT). Tension phase-neutre, Dans l’intervalle Un: ±(0,2% RDG +1DGT). Tension phase-phase, Dans l’intervalle Un: ±(0,5% RDG +1DGT). Fréquence: ±0,1Hz (45 à 65Hz). Puissance active et apparente: 0,01In à 0,05In, PF 1: ±(1%RDG+1DGT). De 0,05In à Imax, PF 0,5L, PF1, PF0,8C: ±(0,5%RDG+1DGT). Facteur de puissance: ±[0,001+0,5%*(1,000 - “PF RDG”)]. Puissance réactive: 0,1In à Imax, senφ 0,5L/C: ±(1%RDG+1DGT). 0,05In à 0,1In, senφ 0,5L/C: ±(1,5%RDG+1DGT). 0,05In à Imax, senφ 1: ±(1%RDG+1DGT). 0,02In à 0,05In, senφ 1: ±(1,5%RDG+1DGT). Energie active: Classe 0,5 selon EN62053-22, ANSI C12.20. Classe C selon EN50470-3. Energie réactive: Classe 1 según norma EN62053-23, ANSI C12.1. Courant de démarrage AV5, AV6: 5mA. Courant de démarrage AV4, AV7: 1mA. **Erreurs additionnelles énergie:** selon EN62053-22, ANSI C12.20. Quantités influentes: Classe B ou C selon EN50470-3, EN62053-23, ANSI C12.1. **Distorsion harmonique totale (THD):** ±1% PE (PE: 100%). AV4: Imin: 5mARMS; Imax: 15Ap; Umin: 30VRMS; Umax: 585Vp. AV5: Imin: 5mARMS; Imax: 15Ap; Umin: 30VRMS; Umax: 585Vp. AV6: Imin: 5mARMS; Imax: 15Ap; Umin: 30VRMS; Umax: 585Vp. AV7: Imin: 5mARMS; Imax: 15Ap; Umin: 30VRMS; Umax: 585Vp. **Dérive de température:** ≤200ppm/°C. **Taux d'échantillonnage:** 3200 échantillons/s @ 50Hz, 3840 échantillons/s @ 60Hz. **Mesures**, méthode: mesures TRMS de formes d’ondes déformées. Type de raccordement: au moyen d’un TC. **Facteur de crête:** AV5, AV6: ≤3 (15A pic max), AV4, AV7: ≤3 (3A pic max). **Surcharges de courant:** continu (AV5 et AV6) 6A, @ 50Hz, Continuo (AV4) 2A, @ 50Hz. Pour 500ms (AV5 et AV6) 120A, @ 50Hz. Pour 500ms (AV4 et AV7) 40A, @ 50Hz. **Surcharges de tension**, continu 1,2 Un. Pour 500ms 2 Un. **Impédance d’entrée:** 400VL-L (AV4 et AV5) > 1,6MΩ. 208VL-L (AV6 et AV7) > 1,6MΩ. 5(10)A (AV5 et AV6) < 0,2VA. 1(2)A (AV4 et AV7) <0,2VA. **Fréquence:** 40 à 440 Hz. **Compteurs:** total 4 (9+1 digit). Partiel 4 (9+1 digit). **Sortie impulsions:** raccordement possible aux compteurs d’énergie totale et/ou partielle. **Enregistrement du comptage d’énergie:** enregistrement du comptage d’énergie totale et partielle. Enregistrement du comptage d’énergie (EEPROM). Min. -9,999,999,999.9 kWh/kvarh. Max. 9,999,999,999.9 kWh/kvarh. **Compteurs d’énergie:** compteurs d’énergie totale +kWh, +kvarh, -kWh, -kvarh. Compteurs d’énergie partielle +kWh, +kvarh, -kWh, -kvarh. **Principe d'analyse:** FFT. **Mesure des harmoniques:** courant, jusqu'à la 32^{ème} harmonique. Tension, jusqu'à la 32^{ème} harmonique. **Type d'harmoniques:** THD (VL1 et VL1-N) Identique pour les autres phases: L2, L3. THD (AL1) Identique pour les autres phases: L2, L3. **Réseau:** on peut mesurer la distorsion harmonique dans réseaux 3-phases ou 4-phases. Tw: 0.02 sec@50Hz sans filtres. **Versio**n auto-alimentée: H: 90 à 260VCA/CC; L: 18 à 60VCA/CC (48 à 62Hz). **Consommation d’énergie:** AC: 6 VA; CC: 3,5 W.

Température de fonctionnement -25°C à +55°C (-13°F à 131°F) (H.R. de 0 à 90% sans condensation @ 40°C) selon EN62053-21, EN50470-1 and EN62053-23. **Température de stockage** -30°C à +70°C (-22°F à 158°F) (H.R. < 90% sans condensation @ 40°C) selon EN62053-21, EN50470-1 and EN62053-23. **Catégorie d’installation** Cat. III (IEC60664, EN60664). **Tension diélectrique:** 4kVCA RMS pour 1 minute. **Émission de bruit** CMRR 100 dB, 48 à 62 Hz. **CEM:** selon EN62052-11. Décharges électrostatiques 15kV décharge atmosphérique. Immunité à l’irradiation: test avec courant: 10V/m de 80 à 2000MHz. Champs électromagnétiques: test sans aucun courant: 30V/m de 80 à 2000MHz. Transitoires: sur circuit d’entrées de mesure courant et tension: 4kV. Immunité aux bruits par conduction 10V/m de 150KHz à 80MHz. Surentension: sur circuit d’entrées de mesure courant et tension: 4kV; sur entrée d’alimentation auxiliaire « L »: 1kV; suppression fréquence radio, selon CISPR 22. **Conformité aux standards:** sécurité IEC60664, IEC61010-1 EN60664, EN61010-1 EN62052-11. Métrologie: EN62053-21, EN62053-23, EN50470-3. MID “annexe MI-003”. Sortie impulsion DIN43864, IEC62053-31. **Approbations:** CE, cULus “Listed”. **Connexions:** À vis, Section de câbles max. 2,5 mm2. Min./Max. couple de serrage de vis: 0,4 Nm / 0,8 Nm. Couple de serrage de vis recommandé: 0,5Nm. **Boîtier DIN** Dimensions (LxHxD): 96x96x50mm. Profondeur max. derrière le panneau. Avec 3 modules (A+B+C): 81,7 mm Matériau ABS, autoextinguible: UL 94 V-0. Montage: montage sur panneau. **Indice de protection:** face avant IP65, NEMA4x, NEM12. Terminaisons de vis IP20.

ESPAÑOL — 397

Entradas de medida. Tipo de sistema: monofásico, bifásico, trifásico. Tipo de entr. de intensidad: aislamiento galvánico mediante CT incorporado. Escala de intens. (mediante CT) AV5 y AV6: 5(6)A. AV4 y AV7: 1(2)A. Tensión (conex. directa o con VT/PT) AV4, AV5: 400/690VLL; AV6, AV7: 100/208VLL. **Precisión** (Display + RS485) (a 25°C ±5°C, H.R. ≤60%, 48 a 62 Hz) In: ver abajo, Vn: ver abajo. Modelo AV4 In: 1A, Imax: 2A; Vn: 160 a 480VLN (277 a 830VLL). Modelo AV5 In: 5A, Imax: 6A; Vn: 160 a 480VLN (277 a 830VLL). Modelo AV6 In: 5A, Imax: 6A; Vn: 40 a 144VLN (70 a 250VLL). Modelo AV7 In: 1A, Imax: 2A; Vn: 40 a 144VLN (70 a 250VLL). Intensidad modelos AV4, AV5, AV6, AV7 De 0,01In a 0,05In: ±(0,5% lec. +2díg) De 0,05In a Imax: ±(0,2% lec. +2díg). Tensión fase-neutro, en la escala Vn: ±(0,2% lec. +1díg). Tensión fase-fase En la escala Vn: ±(0,5% lec. +1díg). Frecuencia: ±0,1Hz (45 a 65Hz). Potencia activa y aparente, 0,01In a 0,05In, PF 1: ±(1%lec.+1díg). De 0,05In a Imax PF 0,5L, PF1, PF0,8C: ±(0,5%lec.+1díg). Factor de potencia (PF): ±[0,001+0,5%*(1,000 - “PF lec.”)]. Potencia reactiva: 0,1In a Imax, senφ 0,5L/C: ±(1%lec. +1díg). 0,05In a 0,1In, senφ 0,5L/C: ±(1,5%lec. +1díg). 0,05In a Imax, senφ 1: ±(1%lec. +1díg). 0,02In a 0,05In, senφ 1: ±(1,5%lec. +1díg). Energia activa: Clase 0,5 según norma EN62053-22, ANSI C12.20. Clase C según norma EN50470-3. Energia reactiva: Clase 1 según norma EN62053-23, ANSI C12.1. Intensidad de arranque: AV5, AV6 5mA. Intensidad de arranque: AV4, AV7 1mA. **Errores adicionales de energía:** según norma EN62053-22, ANSI C12.20. Influencia: Clase B o C según norma EN50470-3, EN62053-23, ANSI C12.1. **Distorsión armónica total (THD):** ±1% f.e. (f.e.: 100%). AV4: Imin: 5mARMS; Imax: 15Ap; Vmin: 30VRMS; Vmax: 585Vp; AV5: Imin: 5mARMS; Imax: 15Ap; Vmin: 30VRMS; Vmax: 585Vp. AV6: Imin: 5mARMS; Imax: 15Ap; Vmin: 30VRMS; Vmax: 585Vp. AV7: Imin: 5mARMS; Imax: 15Ap; Vmin: 30VRMS; Vmax: 585Vp. **Deriva térmica:** ≤200ppm/°C. **Frecuencia de muestreo:** 3200 lecturas/s a 50Hz, 3840 lecturas/s a 60Hz. **Medidas**, método: medida TRMS de tensión/intensidad de una onda distorsionada. Tipo de conexión: mediante CT. **Factor de cresta:** AV5, AV6: ≤3 (pico máx 15A). AV4, AV7: ≤3 (pico máx 3A). **Protec. contra sobrecargas de intensidad:** Continua (AV5 y AV6) 6A, a 50Hz. Continua (AV4) 2A, a 50Hz. Durante 500ms (AV5 y AV6) 120A, a 50Hz. Durante 500ms (AV4 y AV7) 40A, a 50Hz. **Protec. contra sobrecargas de tensión:** Continua 1,2 Vn. Durante 500ms 2 Vn. **Impedancia de entrada:** 400VL-L (AV4 y AV5) >1,6MΩ. 208VL-L (AV6 y AV7) >1,6MΩ. 5(10)A (AV5 y AV6) <0,2VA 1(2)A (AV4 y AV7) <0,2VA. **Frecuencia** 40 a 440 Hz. **Medidores.** Total 4 (9+1 díg.). Parcial 4 (9+1 díg.). **Salida de pulsos:** se puede asociar a los medidores de energía totales y parciales. **Registro del mediador:** almacenamiento del los medidores parciales y totales. Formato de almacenamiento del mediador de energía (EEPROM), Min. -9,999,999,999.9 kWh/kvarh. Máx. 9,999,999,999.9 kWh/kvarh. **Medidores de energía:** medidores de energía total +kWh, +kvarh, -kWh, -kvarh. Medidores de energía parcial +kWh, +kvarh, -kWh, -kvarh. **Método de análisis:** FFT. **Medida de armónicos:** Intensidad Hasta armónico nº32. Tensión: Hasta armónico nº32. **Tipo de armónicos:** THD (VL1 y VL1-N) lo mismo para las otras fases: L2, L3. THD (AL1) lo mismo para las otras fases: L2, L3. **Sistema:** la distorsión armónica puede medirse en sistemas de 3 hilos y de 4 hilos. Tw:

**Instruction Manual
Modules WM30/WM40**

Thank you
for choosing our products.

Grazie
per aver scelto i nostri prodotti.

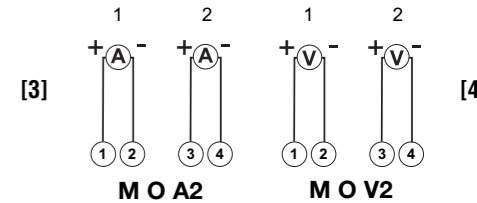
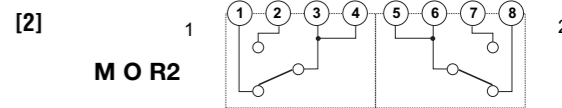
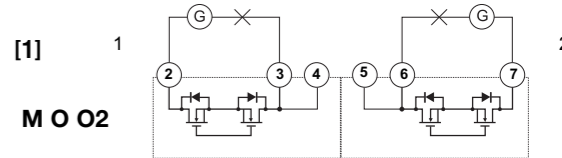
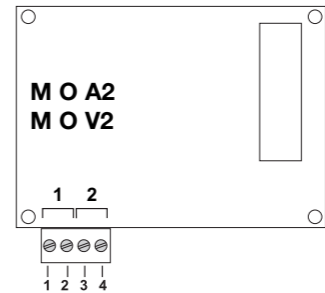
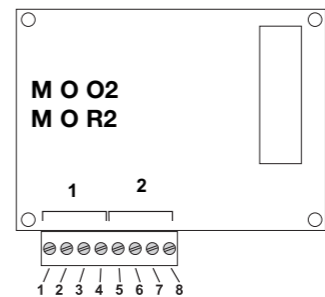
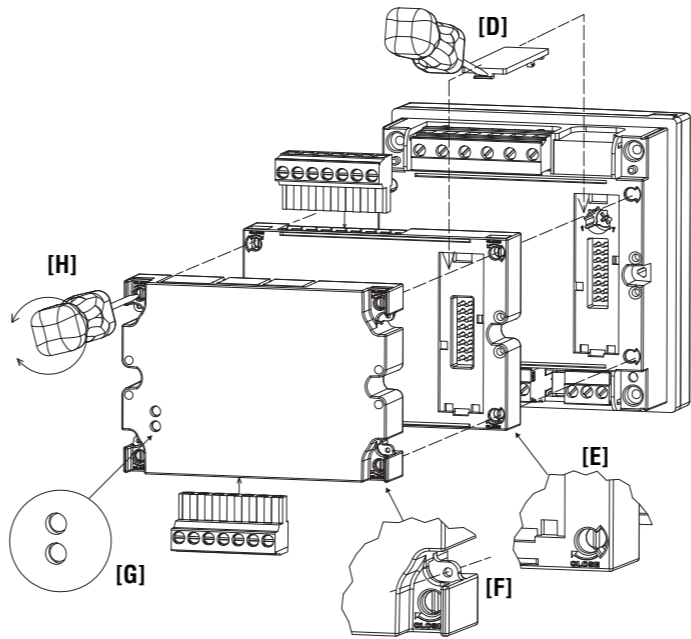
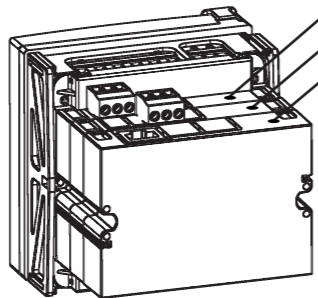
Wir danken
Ihnen dafür, dass Sie unsere
Produkte gewählt haben.

Gracias
por elegir nuestros productos.

Merci
d'avoir choisi nos produits.



Tab.1	A	B	C
M O O2, [1]	X		
M O R2, [2]	X		
M O A2, [3]		X	
M O V2, [4]		X	
M C 485 232, [5], [6]			X
M C ETH			X
M C BACnet-IP			X
MC BAC MS			X



ENGLISH

Read carefully the instruction manual. If the instrument is used in a manner not specified by the producer, the protection provided by the instrument may be impaired. **Maintenance:** make sure that the connections are correctly carried out in order to avoid any malfunctioning or damage to the instrument. To keep the instrument clean, use a slightly damp cloth; do not use any abrasives or solvents. We recommend to disconnect the instrument before cleaning it.

WARNING: it allows to mount only one module per type, for a maximum of 3 modules in total. To avoid any damage respect the position of the modules as shown on table 1. To make sure that the screw tightening torque is 0.5Nm. ALL THE MOUNTING AND DISASSEMBLY OPERATIONS OF THE INSTRUMENT AND MODULES HAVE TO OCCUR WHEN POWER SUPPLY AND THE LOADS ARE NOT CONNECTED.

WIRING DIAGRAMS

- [1] 2 static opto-mosfet outputs.
- [2] 2 relays outputs.
- [3] 2 analogue outputs 20mA DC.
- [4] 2 analogue outputs 10V DC.
- [5] RS485 serial port. **IMPORTANT:** additional devices provided with RS485 are connected in parallel. The termination of the serial output is carried out only on the last instrument of the network, by means of a jumper between B+ and T.
- [6] RS232 serial port. **IMPORTANT:** the termination must be done by means of a jumper between B+ and T.

A: the communication RS232 and RS485 ports **can't be** connected and used simultaneously. **MC BAC MS module is only supplied with RS485.** To connect the ethernet or BACnet-IP modules using the RJ45 connector.

[G] The communication modules are provided with LED indicating the communication status RX or TX.
Preliminary operations: remove the protection cover of the contacts **[D]**, using a properly screwdriver.
Lock and sealing the modules: to lock the modules turning (clockwise) the properly fixing elements on the corners **[E]**, **[F]**, using a properly screwdriver **[H]**. To seal the instrument use the dedicated holes **[F]**.

ITALIANO

Leggere attentamente il manuale di istruzioni. Qualora l'apparecchio venisse adoperato in un modo non specificato dal costruttore, la protezione prevista dall'apparecchio potrebbe essere compromessa. **Manutenzione:** Per mantenere pulito lo strumento usare un panno inumidito; non usare abrasivi o solventi. Si consiglia di scollegare lo strumento prima di eseguire la pulizia.

ATTENZIONE: è possibile montare un unico modulo per tipo, per un massimo di tre moduli in totale. Per evitare malfunzionamenti rispettare la posizione dei moduli come indicato dalla tabella 1. Porre attenzione alla coppia di serraggio applicata alle viti dei morsetti che sia di: 0,5Nm. TUTTE LE OPERAZIONI DI MONTAGGIO E SMONTAGGIO DELLO STRUMENTO E DEI MODULI VANNO ESEGUITE CON ALIMENTAZIONE E CARICO SCOLLEGATI.

COLLEGAMENTI ELETTRICI

- [1] Doppia uscita statica a opto-mosfet.
- [2] Doppia uscita statica a relè.
- [3] Doppia uscita analogica a 20mA CC.
- [4] Doppia uscita analogica a 10V CC.
- [5] Uscita porte seriali RS485. **IMPORTANTE:** ulteriori strumenti provvisti di RS485 sono collegati in parallelo. La terminazione dell'uscita seriale dev'essere eseguita solo sull'ultimo strumento della rete mediante un ponticello tra i morsetti B+ e T.
- [6] Uscita porte seriali RS232. **IMPORTANTE:** eseguire la terminazione mediante un ponticello tra i morsetti B+ e T.

A: le porte di comunicazione RS232 e RS485 **non possono** essere usate e connesse insieme. **Il modulo MC BAC MS è provvisto della sola porta RS485.** Per COLLEGARE i moduli con uscita ethernet o BACnet-IP utilizzare l'apposito conettore RJ45.

[G] Il modulo di comunicazione è provvisto di appositi LED segnalanti lo stato di comunicazione RX o TX.
Operazione preliminare: smontare la finestra di protezione dei contatti **[D]**, utilizzando un apposito cacciavite a taglio.
Bloccaggio e sigillatura dei moduli: per bloccare i moduli agire sugli appositi elementi di fissaggio posti agli angoli dei moduli stessi **[F]**, **[E]**, utilizzando un adeguato cacciavite a taglio **[H]**. Il sigillo va apposto utilizzando i fori dedicati **[F]**.

DEUTSCH

Die Betriebsanleitung aufmerksam lesen. Sollte das Gerät nicht gemäß der Herstellerangaben verwendet werden, könnte der vom Gerät vorgesehene Schutz beeinträchtigt werden.

Wartung: Das Gerät mit einem feuchten Tuch reinigen; keine Scheuer- oder Lösemittel verwenden. Das Gerät vor der Reinigung ausschalten.

ACHTUNG: Pro Typ kann nur ein einziges Modul montiert werden, d.h. insgesamt maximal drei Module. Um Störungen zu vermeiden, sollte die Position der Module gemäß Tabelle 1 eingehalten werden. Außerdem ist darauf zu achten, dass das Anzugsmoment der Klemmschrauben 0,5Nm beträgt. SOWOHL BEI DER MONTAGE, ALS AUCH BEIM AUSBAU DES GERÄTES UND DER MODULE MÜSSEN STROMVERSORGUNG UND STROMLAST STETS VORHER ABGETRENNT WERDEN.

ELEKTRISCHE ANSCHLÜSSE

- [1] Doppelter statischer Ausgang Opto-mosfet.
- [2] Doppelter statischer Ausgang Relais.
- [3] Doppelter analoger Ausgang 20mA DC.
- [4] Doppelter analoger Ausgang 10V DC.
- [5] Ausgang serielle RS485-Anschlüsse. **WICHTIG:** Weitere mit RS485 ausgestattete Geräte sind parallel angeschlossen. Der Endverschluss des seriellen Ausgangs darf nur am letzten Gerät des Netzes mit einer Überbrückung zwischen den Klemmen B+ und T durchgeführt werden.
- [6] Ausgang serielle RS232-Anschlüsse. **WICHTIG:** Der Endverschluss muss mit einer Überbrückung zwischen den Klemmen B+ und T durchgeführt werden.

A: Die Kommunikationsanschlüsse RS232 und RS485 können nicht gemeinsam verwendet und angeschlossen werden. **Das MC BAC MS Modul wird nur mit RS485 geliefert.**

Für den ANSCHLUSS der Module an den Ethernet- oder BACnet-IP-Ausgang den dafür vorgesehenen RJ45-Stecker verwenden.

[G] Das Kommunikationsmodul ist mit entsprechenden LED ausgestattet, die den Kommunikationsstatus RX oder TX anzeigen.

Vorbereitung: Das Schutzfenster der Kontakte **[D]** mit einem Schlitzschraubenzieher entfernen.

Befestigung und Versiegelung der Module: Die Befestigung der Module erfolgt über die an den Ecken derselben vorgesehenen Befestigungselemente **[F]**, **[E]**, mit Hilfe eines passenden Schlitzschraubenziehers **[H]**. Das Siegel wird über die hierfür vorgesehenen Löcher **[F]** angebracht.

FRANÇAIS

Lire attentivement le manuel de l'utilisateur. Si l'appareil est utilisé dans des conditions différentes de celles spécifiées par le fabricant, le niveau de protection prévu par l'instrument peut être compromis. **Entretien:** Pour nettoyer l'instrument, utiliser un chiffon humide; ne pas utiliser d'abrasifs ou de solvants. Il faut déconnecter le dispositif avant de procéder au nettoyage.

ATTENTION: il est possible de monter un module unique par type, avec un maximum de trois modules au total. Afin d'éviter les dysfonctionnements, respecter la position des modules comme l'indique le tableau 1. Faire attention à ce que le couple de serrage appliqué aux vis des bornes soit de : 0,5Nm. **POUR TOUTES LES OPÉRATIONS DE MONTAGE ET DÉMONTAGE DE L'INSTRUMENT ET DES MODULES IL FAUT QUE L'ALIMENTATION ET LA CHARGE SOIENT DÉBRANCHÉES.**

BRANCHEMENTS ÉLECTRIQUES

- [1] Double sortie statique à opto-mosfet.
- [2] Double sortie statique à relais.
- [3] Double sortie analogique à 20mA CC.
- [4] Double sortie analogique à 10V CC.
- [5] Sortie ports série RS485. **IMPORTANT:** d'autres instruments pourvus de RS485 sont branchés en parallèle. La terminaison de la sortie série doit se faire uniquement sur le dernier instrument du réseau au moyen d'un cavalier entre les bornes B+ et T.
- [6] Sortie ports série RS232. **IMPORTANT:** procéder à la terminaison au moyen d'un cavalier entre les bornes B+ et T.

A: les ports de communication RS232 et RS485 ne peuvent pas être utilisés et branchés ensemble. **Le module MC BAC MS est fourni uniquement avec RS485.**

Pour BRANCHER les modules avec sortie Ethernet ou BACnet-IP utiliser le connecteur RJ45 prévu à cet effet.

[G] Le module de communication est pourvu de LED spécifiques qui signalent l'état de communication RX ou TX.

Opération préliminaire: démonter la fenêtre de protection des contacts **[D]**, en utilisant un tournevis plat approprié.

Bloquer et sceller les modules: pour bloquer les modules, agir sur les éléments de fixation prévus à cet effet, situés aux angles des modules mêmes **[F]**, **[E]**, en utilisant un tournevis plat approprié **[H]**. Poser le sceau en utilisant les trous spécifiques prévus **[F]**.

ESPAÑOL

Lea atentamente el manual de instrucciones. Si el instrumento se usa de modo distinto al indicado por el fabricante, la protección de seguridad ofrecida por el instrumento podrá resultar dañada. **Mantenimiento:** para limpiar el equipo utilizar siempre un trapo ligeramente humedecido, nunca productos abrasivos o disolventes. Se recomienda desconectar siempre el instrumento antes de limpiarlo.

ATENCIÓN: es posible montar un solo módulo por tipo, para un total máximo de tres módulos. Para evitar daños respete la posición de los módulos tal como se indica en la tabla 1. Ponga cuidado en que el par de apriete aplicado sea de: 0,5Nm. **TODAS LAS OPERACIONES DE MONTAJE Y DESMONTAJE DEL INSTRUMENTO Y DE LOS MÓDULOS DEBE REALIZARSE CON LA ALIMENTACIÓN Y LA CARGA DESCONECTADAS.**

CONEXIONES ELÉCTRICAS

- [1] Doble salida estática opto-mosfet.
- [2] Doble salida estática de relé.
- [3] Doble salida analógica de 20mA CC.
- [4] Doble salida analógica de 10V CC.

Tab. 2	A	B	C	D	E	F	G
A	-	4kV	4kV	4kV	4kV	4kV	4kV
B	4kV	2kV	NA	4kV	4kV	4kV	4kV
C	4kV	NA	2kV	4kV	4kV	4kV	4kV
D	4kV	4kV	4kV	-	4kV	4kV	4kV
E	4kV	4kV	4kV	4kV	0kV	4kV	4kV
F	4kV	4kV	4kV	4kV	4kV	-	4kV
G	4kV	4kV	4kV	4kV	4kV	4kV	-

- A=** Measuring input - Ingressi di misura - Messeingänge - Entrées de mesure - Entr. de medida.
- B=** Relay outputs - Uscita relè - Relaisausgänge - Sorties à relais - Salidas de relé.
- C=** Static outputs - Uscita statica - Statische Ausgänge - Sorties statiques - Salidas estáticas.
- D=** Communication port - Porta di comunicazione - Kommunikations-Schnittstelle - Port de commun - Puerto de comunicación.
- E=** Analogue outputs - Uscite analogiche - Analoge Ausgänge - Sortie analogiques - Salidas analógicas.
- F=** Digital inputs - Ingressi digitali - Digitaleingänge - Entrées logiques - Entradas digitales
- G=** Power supply - Alimentazione - Hilfsstromversorgung - Alimentation auxiliaire - Alimentación auxiliar.

- [5] Salida de puerto serie RS485. **IMPORTANTE:** Instrumentos adicionales dotados de RS485 se conectan en paralelo. La terminación de la salida serie sólo debe realizarse en el último instrumento de la red mediante un puente entre B+ y T.
- [6] Salida de puerto serie RS232. **IMPORTANTE:** realice la terminación mediante un puente entre B+ y T.

A: los puertos de comunicación RS232 y RS485 no pueden utilizarse ni conectarse al mismo tiempo. **El módulo MC BAC MS se suministra sólo con RS485.**

Para CONECTAR los módulos con salida ethernet o BACnet-IP utilice el conector RJ45.

[G] Los módulos de comunicación están dotados de LEDs que señalan el estado de comunicación RX o TX.

Operación preliminar: desmonte la ventana de protección de los contactos **[D]**, utilizando un destornillador de punta plana.

Bloqueo y sellado de los módulos: para bloquear los módulos gire en el sentido de las agujas del reloj los específicos elementos de fijación de los extremos de los módulos **[E]**, **[F]**, utilizando un adecuado destornillador de punta plana **[H]**. Para sellar el equipo use los orificios específicos **[F]**.

ENGLISH

Relay outputs (M O R2). Physical outputs 2 (max. one module per instrument). Purpose for either alarm output or pulse output. Type, relay, SPDT type, AC 1-5A @ 250VAC; AC 15-1.5A @ 250VAC, DC 12-5A @ 24VDC; DC 13-1.5A @ 24VDC. Configuration, by means of the front key-pad. Function, the outputs can work as alarm outputs but also as pulse outputs, remote controlled outputs, or in any other combination. Alarms up alarm and down alarm linked to the virtual alarms. Min. response time ≤200ms, filters excluded. Set-point on-time delay: "0 s". Pulse: signal retransmission: Total: +kWh, -kWh, +kvarh, -kvarh. Partial: +kWh, -kWh, +kvarh, -kvarh. Pulse duration, programmable from 0.001 to 10.00 kWh/kvarh per pulse. ≥100ms <120msec (ON), ≥120ms (OFF), according to EN62052-31. Remote controlled outputs: the activation of the outputs is managed through the serial communication port.

Static outputs (M O O2). Opto-Mosfet type. Physical outputs: 2 (max. one module per instrument). Purpose, for either pulse output or alarm output. Signal: VON:2.5VAC/DC/max.100mA, VOFF: 260VAC/DC max. Configuration, by means of the front key-pad. Function: the outputs can work as alarm outputs but also as pulse outputs, remote controlled outputs, or in any other combination. Alarms: up alarm and down alarm linked to the virtual alarms. Min. response time ≤200ms, filters excluded. Set-point on-time delay: "0 s". Pulse: signal retransmission: Total: +kWh, -kWh, +kvarh, -kvarh. Partial: +kWh, -kWh, +kvarh, -kvarh. Pulse duration: programmable from 0.001 to 10.00 kWh/kvarh per pulse. ≥100ms < 120msec (ON), ≥120ms (OFF), according to EN62052-31. Remote controlled outputs: the activation of the outputs is managed through the serial communication port.

20mA analogue outputs (M O A2). Number of outputs 2 (max. one module per instrument). Accuracy (@ 25°C ±5°C, R.H. <60%) ±0.2%FS. Range 0 to 20mA. Configuration: by means of the front key-pad. Signal retransmission: the signal output can be connected to any instantaneous variable available. Scaling factor: programmable within the whole range of retransmission; it allows the retransmission management of all values from 0 to 20 mADC. Response time <400 ms typical (filter excluded). Ripple ≤1% (according to IEC 60688-1, EN 60688-1). Total temperature drift ≤500 ppm/°C. Load ≤600Ω.

10VDC analogue outputs (M O V2). Number of outputs 2 (max. one module per instrument). Accuracy (@ 25°C ±5°C, R.H. ≤60%) ±0.2%FS. Range 0 to 10 VDC. Configuration: by means of the front key-pad. Signal retransmission: the signal output can be connected to any instantaneous variable available. Scaling factor: programmable within the whole range of retransmission; it allows the retransmission management of all values from 0 to 10VDC. Response time: <400 ms typical (filter excluded). Ripple: ≤1% (according to IEC 60688-1, EN 60688-1). Total temperature drift: ≤500 ppm/°C. Load: ≥10kΩ.

RS485/RS422 port. Type: multidrop, bidirectional. Connections: 2-wire. Max. distance 1000m, termination directly on the module. Addresses: 247, selectable by means of the front key-pad. Protocols: MODBUS/JBUS (RTU). Protocols: modbus (247 addresses selectable by front key pad); BACnet MS/TP (instance numbers selectable by programming software). Data format: 1 start bit, 8 data bit, no/even/odd parity,1 stop bit. Baud-rate, selectable: 9.6k, 19.2k, 38.4k, 115.2k bit/s. Driver input capability 1/5 unit load. Maximum 160 transceivers on the same bus.

RS232 port (on request). Type: bidirectional. Connections 3 wires. Max. distance 15m. Protocol: MODBUS RTU /JBUS. Data format 1 start bit, 8 data bit, no/even/odd parity,1 stop bit. Baud-rate, selectable: 9.6k, 19.2k, 38.4k, 115.2k bit/s.

Ethernet/Internet port (on request). Protocols: Modbus TCP/IP. IP configuration: Static IP / Netmask / Default gateway. Port selectable (default 502). Client connections: Max 5 simultaneously. Connections: RJ45 10/100 BaseTX. Max. distance 100m.

BACnet-IP (on request). Protocols: BACnet-IP (for measurement reading) and Modbus TCP/IP (for programming parameter, instance number selectable by programming software). IP configuration Static IP / Netmask / Default gateway. BACnet-IP Port. Fixed: BAC0h. Modbus Port Selectable (default 502). Client connections: modbus only: max 5 simultaneously. Connections RJ45 10/100 BaseTX Max. distance 100m.

Operating temperature -25°C to +55°C (-13°F to 131°F) (R.H. from 0 to 90% non-condensing @ 40°C) according to EN62053-21, EN50470-1 and EN62053-23. **Storage temperature** -30°C to +70°C (-22°F to 158°F) (R.H. < 90% non-condensing @ 40°C) according to EN62053-21, EN50470-1 and EN62053-23. **Installation category** Cat. III (IEC60664, EN60664). **Dielectric strength** 4000 VRMS for 1 minute. **Noise rejection** CMRR 100 dB, 48 to 62 Hz. **EMC** according to EN62052-11. Electrostatic discharges: 15kV air discharge. Immunity to irradiated: test with current: 10V/m from 80 to 2000MHz. Electromagnetic fields: test without any current: 30V/m from 80 to 2000MHz. Burst: on current and voltage measuring inputs circuit: 4kV. Immunity to conducted disturbances: 10V/m from 150KHz to 80MHz. Surge: on current and voltage measuring inputs circuit: 4kV; on "L" auxiliary power supply input: 1kV. Radio frequency suppression: according to CISPR 22. **Standard compliance**: safety: IEC60664, IEC61010-1 EN60664, EN61010-1 EN62052-11. Metrology EN62053-21, EN62053-23, EN50470-3. Pulse output: DIN43864, IEC62053-31. **Approvals**: CE, cULus "Listed". **Connections**: Screw-type. Cable cross-section area: max. 2.5 mm2. Min./max. Screws tightening torque: 0.4 Nm / 0.8 Nm. Suggested: 0.5 Nm. **Housing** dimension: "A" and "B" type modules: 89,5x63x16mm. "C" type module: 89,5x63x20mm. Max. depth behind the panel. With 3 modules (A+B+C): 81,7 mm. Material, ABS, self-extinguishing: UL 94 V-0.

Protection degree, front: IP65, NEMA4x, NEM12. Screw terminals: IP20.

ITALIANO

Uscite relè (M O R2). Uscite fisiche, 2 (max. un modulo per strumento). Utilizzo, uscite allarmi o impulsi. Relè, tipo SPDT. CA 1-5A @ 250VCA; CA 15-1,5A @ 250VCA CC; 12-5A @ 24VCC; CC 13-1,5A @ 24VCC. Configurazione, mediante tastiera frontale. Funzione, l'uscita può funzionare come uscita allarme ma anche come uscita impulsi, controllo remoto o in qualsiasi altra combinazione. Allarme in salita, allarme in discesa associate agli allarmi virtuali. Tempo min di risposta ≤200ms, filtro escluso. Ritardo all'attivazione: "0 s". Impulsi, ritrasmissione segnale totale: +kWh, -kWh, +kvarh, -kvarh. Parziale: +kWh, -kWh, +kvarh, -kvarh. La lista di variabili può essere associata ad ogni uscita. Durata impulso programmabile da 0,001 a 10,00 kWh/kvarh per impulso. ≥100ms <120msec (ON), ≥120ms (OFF), secondo EN62052-31. Controllo remoto, l'attivazione delle uscite è gestita mediante la porta seriale di comunicazione.

Uscite statiche (M O O2). Tipo Opto-Mosfett. Uscite fisiche 2 (max. un modulo per strumento). Utilizzo, uscita allarme o impulsi. Segnale VON: 2,5VCA/CC/max.100mA. VOFF: 260VCA/CC max. Configurazione, mediante tastiera frontale. Funzione: l'uscita può funzionare come uscita allarme ma anche come uscita impulsi, controllo remoto o in qualsiasi altra combinazione. Allarme in salita, allarme in discesa associate agli allarmi virtuali. Tempo min risposta: ≤200ms, filtro escluso. Ritardo all'attivazione: "0 s". Impulsi: ritrasmissione segnale totale +kWh, -kWh, +kvarh, -kvarh. Parziale +kWh, -kWh, +kvarh, -kvarh. La lista di variabili può essere associata ad ogni uscita. Durata impulso, programmabile da 0,001 a 10,00 kWh/kvarh per impulso. ≥100ms <120msec (ON), ≥120ms (OFF), secondo EN62052-31. Controllo remoto: l'attivazione delle uscite è gestita mediante la porta seriale di comunicazione.

Uscita analogica 20mA (M O A2). Numero di uscite 2 (max. un modulo per strumento). Precisione (@ 25°C ±5°C, R.H. ≤60%) ±0,2%FS. Campo da 0 a 20mA. Configurazione, mediante tastiera frontale. Ritrasmissione segnale, il segnale d'uscita può essere associato ad ogni variabile istantanea disponibile. Fattore di scala programmabile all'interno di tutto il campo di ritrasmissione; permette la gestione della ritrasmissione di tutti i valori da 0 a 20 mA. Tempo di risposta ≤400 ms tipico (filtro escluso). Ripple ≤1% (secondo IEC 60688-1, EN 60688-1). Deriva termica totale ≤500 ppm/°C. Carico ≥10kΩ.

10VDC analogue outputs (M O V2). Numero di uscite 2 (max. un modulo per strumento). Precisione (@ 25°C ±5°C, R.H. ≤60%) 0,2%FS. Campo da 0 a 10VCC. Configurazione mediante tastiera frontale. Ritrasmissione segnale: il segnale d'uscita può essere associato ad ogni variabile istantanea disponibile. Fattore di scala programmabile all'interno di tutto il campo di ritrasmissione; permette la gestione della ritrasmissione di tutti i valori da 0 a 10VCC. Tempo di risposta ≤400 ms tipico (filtro escluso). Ripple ≤1% (secondo IEC 60688-1, EN 60688-1). Deriva termica totale ≤500 ppm/°C. Carico ≥10kΩ.

Porta RS485/RS422 (a richiesta). Tipo: Multidrop, bidirezionale. Connessione 2 fili. Distanza massima 1000m, terminazione direttamente sullo strumento. Protocolli: MODBUS (247 indirizzi selezionabili dalla tastiera frontale); BACnet MS/TP (numero istanza selezionabile mediante software). Formato dati: 1 bit di start, 8 bit di dati, nessuna parità, 1 bit di stop. Velocità di comunicazione selezionabile: 9,6k, 19,2k, 38,4k, 115,2k bit/s. Dispositivi in rete 1/5 unit load. Massimo 160 dispositivi nella stessa rete.

Porta RS232 (a richiesta). Tipo: bidirezionale. Connessioni 3 fili. Distanza max. 15m. Protocollo MODBUS RTU /JBUS. Formato dati: 1 bit di start, 8 bit di dati, nessuna parità, 1 bit di stop. Velocità di comunicazione selezionabile: 9,6k, 19,2k, 38,4k, 115,2k bit/s. Dispositivi in rete 1/5 unit load. Massimo 160 dispositivi nella stessa rete.

Porta Ethernet/Internet (a richiesta). Protocollo Modbus TCP/IP. Configurazione IP: IP statico / Netmask / Gateway di default. Porta selezionabile (default 502). Connessioni utente Max 5 simultanei. Connessioni RJ45 10/100 BaseTX. Distanza max 100m.

BACnet-IP (a richiesta). Protocollo BACnet-IP (per la lettura delle misure) e Modbus TCP/IP (per la programmazione dei parametri, numero istanza selezionabile mediante software). Configurazione IP: IP statico / Netmask / Gateway di default: Porta BACnet-IP. Fisso: BAC0h. Porta Modbus selezionabile (default 502). Connessioni utenti, solo Modbus: max 5 simultanei. Connessioni: RJ45 10/100 BaseTX. Distanza max 100m.

Temperatura di funzionamento da -25°C a +55°C (da -13°F a 131°F) (U.R. da 0 a 90% senza condensa @ 40°C) secondo EN62053-21 e EN62053-23. **Temperatura di immagazzinamento** da -30°C a +70°C (da -22°F a 140°F) (U.R. < 90% senza condensa @ 40°C) secondo EN62053-21 e EN62053-23. **Categoria di installazione**: Cat. III (IEC60664, EN60664). **Isolamento (per 1 minuto)** 4000 VRMS tra ingressi di misura ed alimentazione. 4000 VRMS tra alimentazione e RS485/uscita digitali. **Rigidità dielettrica** 4000 VRMS per 1 minuto. **Reiezione** CMRR 100 dB, da 48 a 62 Hz. **EMC** secondo EN62052-11. Scariche elettrostatiche 15kV scarica in aria; Immunità campi elettromagnetici irradianti, provato con corrente applicata: 10V/m da 80 a 2000MHz; provato senza corrente applicata: 30V/m da 80 a 2000MHz. Immunità ai transistori veloci, sui circuiti degli ingressi di misura in corrente e tensione: 4kV. Immunità ai radiodisturbi condotti: 10V/m da 150KHz a 80MHz. Immunità ad impulso, sui circuiti degli ingressi di misura in corrente e tensione: 4kV; sull'alimentazione "L": 1kV. Emissioni in radiofrequenza: secondo CISPR 22. **Conformità alle norme**: sicurezza IEC60664, IEC61010-1 EN60664, EN61010-1 EN62052-11. Metrologia: EN62053-21, EN50470-3, EN62053-23. Uscita impulsiva DIN43864, IEC62053-31. Approvazioni: CE, cULus listed. **Connessioni**: a vite. Sezione del cavo: max. 2,5 mm2. Coppia min./max serraggio: 0,4 Nm / 0,8 Nm. Consigliata: 0,5 Nm. **Custodia**: dimensioni (LxAxP). Moduli tipo "A" e "B": 89,5x63x16mm. Modulo tipo "C": 89,5x63x20mm. Ingombro massimo dietro il pannello Con 3 moduli (A+B+C): 81,7 mm. Materiale: nylon PA66, autoestinguenza: UL 94 V-0. Montaggio a pannello. **Grado di protezione**: frontale: IP65, NEMA4x, NEM12. Morsetti: IP20.

DEUTSCH

Relaisausgängen (M O R2). Physisch Ausgänge 2 (max. 1 Modul pro Netzwerk). Funktionsbereich: für Alarm- oder Impulsausgang. Typ Relais, SPDT Typ AC 1-5A bei 250VAC; AC 15-1,5A bei 250VAC DC 12-5A bei 24VDC; DC 13-1,5A bei 24VDC. Konfiguration: Durch die vordere Tastatur: Funktion Die Ausgänge können als Alarmausgänge benutzt werden, aber auch als Impulsausgänge, ferngesteuerte Ausgänge oder in jeder anderen beliebigen Kombination. Alarm: Überschreitung, Unterschreitung verbunden mit virtuellem Alarm, für weitere Einzelheiten siehe Virtuelle Alarme. Min. Ansprechzeit: ≤200ms, (ohne Filter) und Einstellung der Einschalt-zeitverzögerung: "0 s". Impuls Signalweiterübertragung, Gesamt: +kWh, -kWh, +kvarh, -kvarh. Partiiell : +kWh, -kWh, +kvarh, -kvarh. Impulstyp, Die oben aufgelisteten Variablen können mit jedem beliebigen Ausgang verbunden werden. Impulsdauer Programmierbar von 0.001 bis 10,00 kWh/kvarh por Impuls. ≥100ms <120msec (ON), ≥120ms (OFF), gemäß EN62052-31. Ausgägngefernsteuerung Die Aktivierung der Ausgänge wird gehandhabt durch serielle schnittstelle.

Statikausgänge (M O O2). Typ: Opto-Mos. Physisch Ausgänge 2 (max. 1 Modul por Netzwerk). Funktionsbereich, Für Alarm- oder Impulsausgang. Signal, VON:2.5VAC/DC/max.100mA. VOFF: 260VAC/DC max. Konfiguration au moyen de clavier avant. Fonction: Die Ausgänge können als Alarmausgänge benutzt werden, aber auch als Impulsausgänge, ferngesteuerte Ausgänge oder in jeder anderen beliebigen Kombination. Alarm: Überschreitung, Unterschreitung verbunden mit virtuellem Alarm, für weitere Einzelheiten siehe Virtuelle Alarme. Min. Ansprechzeit ≤200ms, (ohne Filter) und Einstellung der Einschalt-zeitverzögerung: "0 s". Impuls: Signalweiterübertragung. Gesamt: +kWh, -kWh, +kvarh, -kvarh. Partiiell: +kWh, -kWh, +kvarh, -kvarh. Impulstyp: Die oben aufgelisteten Variablen können mit jedem beliebigen Ausgang verbunden werden. Impulsdauer: Programmierbar von 0,001 bis 10,00 kWh/kvarh por Impuls. ≥100ms < 120msec (ON), ≥120ms (OFF), gemäß EN62052-31. Ausgägngefernsteuerung, Die Aktivierung der Ausgänge wird gehandhabt durch serielle schnittstelle.

20mA Analogue Ausgänge (M O A2). Anzahl der Ausgänge 2 (max. 1 Modul por Netzwerk). Genauigkeit (bei 25°C ±5°C, R.F. ≤60%) ±0,2%BE. Bereich: 0 bis 20mA. Konfiguration, Durch die vordere Tastatur. Signalweiterübertragung: Der Signalausgang kann mit einer beliebigen unmittelbaren Variable. Skalierungsfaktor: Programmierbar innerhalb des gesamten Bereichs der Weiterübertragung: gestattet die Verwaltung der Weiterübertragung aller Werte von 0 bis 20 mADC. Ansprechzeit ≤400 ms typisch (ohne Filter). Wellenstrom: ≤1% (gemäß IEC 60688-1, EN 60688-1). Temperaturdrift insgesamt: ≤500 ppm/°C. Last: ≤600Ω.

10VDC Analogue Ausgänge (M O V2). Anzahl der Ausgänge 2 (max. 1 Modul por Netzwerk). Genauigkeit (bei 25°C ±5°C, R.F. ≤60%): ±0,2%BE. Bereich: 0 bis 10 VDC. Konfiguration: Durch die vordere Tastatur. Signalweiterübertragung: Der Signalausgang kann mit einer beliebigen unmittelbaren Variable. Skalierungsfaktor: Programmierbar innerhalb des gesamten Bereichs der Weiterübertragung: gestattet die Verwaltung der Weiterübertragung aller Werte von 0 bis 10VDC. Ansprechzeit: ≤400 ms typisch (ohne Filter). Welligkeit (Rippel): ≤1% (gemäß IEC 60688-1, EN 60688-1). Temperaturdrift insgesamt: ≤500 ppm/°C. Last: ≥10kΩ. **Schnittstelle RS485/RS422 (auf Anfrage)**. Typ: Multidrop, Bidirektional . Anschlüsse: 2-Leiter. Max. Entfernung 1000m, Abschluss direkt am Modul. Protokolle: MODBUS/JBUS (RTU). Protokolle: MODBUS (247 wählbar über die vordere Tastatur); BACnet MS/TP (Instanz-Anzahl wählbar über die Programmiersoftware). Datenformat: 1-Startbit, 8-Datenbits, keine Parität/gerade Parität, ungerade Parität, 1 Stopppbit, Übertragungsgeschwindigkeit: Wählbar: 9,6k, 19,2k, 38,4k, 115,2k bit/s. Treiber Eingangsimpetanz 1/5 Leistungsaufnahme Maximal Geräte 160 am gleichen Bus.

Schnittstelle RS232 (auf Anfrage). Typ: Bidirektional. Anschlüsse: 3-Leiter. Max. Entfernung 15m. Protokoll: MODBUS RTU /JBUS. Datenformat: 1-Startbit, 8-Datenbits, keine Parität/gerade Parität, ungerade Parität, 1 Stopppbit, Übertragungsgeschwindigkeit. Wählbar: 9,6k, 19,2k, 38,4k, 115,2k bit/s. **Ethernet/Internet Schnittstelle (auf Anfrage)**. Protokoll: Modbus TCP/IP. IP Konfiguration: Statisch IP / Netzmaske / Standard-Gateway. Schnittstelle: Wählbar (Standard 502). Client Verbindung: Max 5 gleichzeitig. Anschlüsse: RJ45 10/100 BaseTX. Max. Entfernung 100m.

BACnet-IP (auf Anfrage). Protokoll: BACnet-IP (für Messunganzeige) und Modbus TCP/IP (für Parameterprogrammierung, Instanz-Anzahl wählbar über die Programmiersoftware). IP Konfiguration: Statisch IP / Netzmaske / Standard-Gateway. Schnittstelle: BACnet-IP. Fest: BAC0h. Modbus Schnittstelle: Wählbar (Standard 502). Client Verbindung: nur Modbus: Max 5 gleichzeitig. Anschlüsse: RJ45 10/100 BaseTX. Max. Entfernung 100m.

Betriebstemperatur -25°C bis +55°C (-13°F bis 131°F) (R.F. von 0 bis 90% nicht kondensierend bei 40°C) gemäß EN62053-21, EN50470-1 und EN62053-23. **Legertemperatur**: -30°C bis +70°C (-22°F bis 158°F) (R.F. < 90% nicht kondensierend bei 40°C) gemäß EN62053-21, EN50470-1 und EN62053-23. **Installationskategorie**: Kat. III (IEC60664, EN60664). **Durchschlagfestigkeit**: 4kVAC RMS für 1 Minute. **Rauschdrückungsverhältnis**: GTUV 100 dB, 48 bis 62 Hz. **EMC**: According to EN62052-11. Elektrostatische Entladungen: 15kV air discharge; Strahlungsimmunität: Test mit angelegten Strom: 10V/m von 80 bis 2000MHz; Elektromagnetfeld. Test ohne angelegten Strom: 30V/m von 80 bis 2000MHz; Ladungsimpuls: Am Strom- und Eingangsspannungsmesskreis: 4kV. Leiterstörungsimmunität: 10V/m von 150KHz bis 80MHz. Überspannungsfestigkeit: Strom- und Eingangsspannungsmesskreis: 4kV; an „L“ Hilfsstromversorgungseingang: 1kV; Störausstrahlung Gemäß CISPR 22. **Standardkonformität**: Sicherheit: IEC60664, IEC61010-1 EN60664, EN61010-1 EN62052-11. Messungen: EN62053-21, EN62053-23, EN50470-3. MID "Anhang MI-003". Impulsausgang: DIN43864, IEC62053-31. Zulassungen: CE, cULus "Listed". **Anschlüsse**: Schraubklemmen, Kabelquerschnitt: 2,5 mm2. Min./Max. Anzungsmoment: 0,4 Nm / 0,8 Nm. Empfohlene Anzungsmoment: 0,5 Nm. **Gehäuse DIN** Abmessungen (LxHxB): "A" und "B" Module: 89,5x63x16mm. "C" Module: 89,5x63x20mm. Max. Tiefe hinter der DIN-Schiene Mit 3 Modulen (A+B+C): 81,7 mm. Material ABS, selbstlöschend: UL 94 V-0. Montage: DIN-Schiene. **Schutzgrad**: Vorderseite, IP65, NEMA4x, NEM12. Schraubklemmen: IP20.

FRANÇAIS

Sortie relais (M O R2). Sorties physiques: 2 (max. un module par instrument). Objectif: pour sortie d'alarme ou sortie à impulsions. Type: Relais, type SPDT CA 1-5A @ 250VCA; CA 15-1,5A @ 250VAC. CC 12-5A @ 24VCC; CC 13-1,5A @ 24VCC. Configuration au moyen de clavier avant. Fonction: les sorties peuvent aussi fonctionner en tant que sorties d'alarme, sorties d'impulsion, sorties de contrôle à distance, ou d'autres combinaisons. Alarme: alarme max, alarme min relié aux alarmes virtuelles, d'autres détails voir Alarme virtuelles. Temps de réponse min. ≤200ms, filtre exclu. Point de réglage du délai on-time: "0 s". Impulsion: signal de retransmission Total: +kWh, -kWh, +kvarh, -kvarh. Partiel: +kWh, -kWh, +kvarh, -kvarh. Type d'impulsion: les variables mentionnées ci-dessus peuvent être connectées à n'importe quelle sortie. Durée d'impulsion: programmable de 0,001 à 10,00 kWh/kvarh par impulsion. ≥100ms <120msec (ON), ≥120ms (OFF), selon EN62052-31. Contrôle à distance: l'activation des sorties est gérée à travers le port série de communication.

Sortie statique (M O O2). Type Opto-Mos. Sorties physiques 2 (max. un module par instrument). Objectif: pour sortie d'alarme ou sortie à impulsions. Signal: VON: 2,5VCA/CC/max.100mA. VOFF: 260VCA/CC max. Configuration au moyen de clavier avant. Fonction: les sorties peuvent aussi fonctionner en tant que sorties d'alarme, sorties d'impulsion, sorties de contrôle à distance, ou d'autres combinaisons. Alarme: alarme max, alarme min relié aux alarmes virtuelles, d'autres détails voir Alarme virtuelles. Temps de réponse min. ≤200ms, filtre exclu. Point de réglage du délai on-time: "0 s". Impulsion: signal de retransmission, Total: +kWh, -kWh, +kvarh, -kvarh. Partiel: +kWh, -kWh, +kvarh, -kvarh. Type d'impulsion: les variables mentionnées ci-dessus peuvent être connectées à n'importe quelle sortie. Durée d'impulsion: programmable de 0,001 à 10,00 kWh/kvarh par impulsion. ≥100ms < 120msec (ON), ≥120ms (OFF), selon EN62052-31. Contrôle à distance L'activation des sorties est gérée à travers le port série de communication.

Sorties analogiques 20mA (M O A2). Nombre de sorties 2 (max. un module par instrument). Précision (@ 25°C ±5°C, H.R. ≤60%): ±0,2% PE. Intervalle 0 à 20mA. Configuration au moyen de clavier avant. Signal de retransmission: la sortie du signal peut être connectée à n'importe quelle variable disponible. Facteur d'échelle: programmable dans toute la plage de retransmission ; il permet de gérer la retransmission de toute valeur à partir de 0 à 20 mACC. Temps de réponse: ≤400 ms typique (filtre exclu). Ondulation: ≤1% (selon IEC 60688-1, EN 60688-1). Dérive de température totale ≤500 ppm/°C. Charge: ≤600Ω.

Sorties analogiques 10VCC (M O V2). Nombre de sorties: 2 (max. un module par instrument). Précision (@ 25°C ±5°C, H.R. ≤60%): ±0,2% PE. Intervalle 0 à 10 VDC. Configuration au moyen de clavier avant. Signal de retransmission: la sortie du signal peut être connectée à n'importe quelle variable disponible. Facteur d'échelle: programmable dans toute la plage de retransmission; il permet de gérer la retransmission de toute valeur à partir de 0 à 10VCC. Temps de réponse ≤400 ms typique (filtre exclu). Ripple (ondulation): ≤1% (selon IEC 60688-1, EN 60688-1). Dérive de température totale ≤500 ppm/°C. Charge: ≥10kΩ.

Port RS485/RS422 (sur demande). Type, circuit multipoints, bidirectionnel. Connexions: 2 câbles, Distance max 1000m, Raccordement directement sur le module. Protocoles: MODBUS/JBUS (RTU). Protocoles: MODBUS (247 à sélectionner au moyen du clavier avant); BACnet MS/TP (nombre d'instance sélectionnable par logiciel de programmation). Format de données: 1 bit de départ, 8 bits de données,pas de parité, parité paire, parité impaire, 1 bit de stop. Baud-rate: à sélectionner: 9,6k, 19,2k, 38,4k, 115,2k bit/s. Capacité entrée driver: 1/5 unités en charge. Maximum 160 emetteurs/ récepteurs sur le même bus.

Port RS232 (sur demande). Type bidirectionnel. Connexions: 3 câbles, distance max 15m. Protocole: MODBUS RTU/ JBUS. Format de données: 1 bit de départ, 8 bits de données,pas de parité, parité paire, parité impaire, 1 bit de stop. Baud-rate: à sélectionner: 9,6k, 19,2k, 38,4k, 115,2k bit/s.

Port Ethernet/Internet (sur demande). Protocole: Modbus TCP/IP. Configuration IP: IP statique / Netmask / Portail implicite. Port: à sélectionner (implicite 502). Connexions client Max. 5 simultanément. Connexions: RJ45 10/100 BaseTX. Distance max 100m.

BACnet-IP (sur demande). Protocole: BACnet-IP (pour la lecture de mesure) et Modbus TCP/IP (pour paramètre de programmation, nombre d'instance sélectionnable par logiciel de programmation). Configuration IP: IP statique / Netmask / Portail implicite Port BACnet-IP. Fixe: BAC0h. Port Modbus à sélectionner (implicite 502). Connexions client, seul. Modbus: Max. 5 simultanément. Connexions RJ45 10/100 BaseTX. Distance max.100m.

Température de fonctionnement -25°C à +55°C (-13°F à 131°F) (H.R. de 0 à 90% sans condensation @ 40°C) selon EN62053-21, EN50470-1 and EN62053-23. **Température de stockage** -30°C à +70°C (-22°F à 158°F) (H.R. < 90% sans condensation @ 40°C) selon EN62053-21, EN50470-1 and EN62053-23. **Catégorie d'installation** Cat. III (IEC60664, EN60664). **Tension diélectrique**: 4kVCA RMS pour 1 minute. **Émission de bruit** CMRR 100 dB, 48 à 62 Hz. **CEM**: selon EN62052-11. Décharges électrostatiques 15kV décharge atmosphérique. Immunité à l'irradiation: test avec courant: 10V/m de 80 à 2000MHz. Champs électromagnétiques: test sans aucun courant: 30V/m de 80 à 2000MHz. Transitoires: sur circuit d'entrées de mesure courant et tension: 4kV. Immunité aux bruits par conduction 10V/m de 150KHz à 80MHz. Surtenstion: sur circuit d'entrées de mesure courant et tension: 4kV; sur entrée d'alimentation auxiliaire « L » : 1kV; suppression fréquence radio, selon CISPR 22. **Conformité aux standards**: sécurité IEC60664, IEC61010-1 EN60664, EN61010-1 EN62052-11. Métrologie: EN62053-21, EN62053-23, EN50470-3. MID "annexe MI-003". Sortie impulsion DIN43864, IEC62053-31. **Approbations**: CE, cULus "Listed". **Connexions**: À vis, Section de câbles max. 2,5 mm2. Min./Max. couple de serrage de vis: 0,4 Nm / 0,8 Nm. Couple de serrage de vis recommandé: 0,5Nm. **Boîtier DIN** Dimensions (LxHxD). Modules "A" et "B": 89,5x63x16mm.Modules"C": 89,5x63x20mm. Profondeur max. derrière le panneau. Avec 3 modules (A+B+C): 81,7 mm Matériau ABS, autoextinguible: UL 94 V-0. Montage: montage sur panneau. **Indice de protection**: face avant IP65, NEMA4x, NEM12. Terminaisons de vis IP20.

Salidas de relé (M O R2). Salidas físicas: 2 (máx. un módulo por equipo). Finalidad: Para salida de alarma o de pulso. Tipo: Relé, tipo SPDT CA 1-5A @ 250VCA; CA 15-1,5A @ 250VAC. CC 12-5A @ 24VCC; CC 13-1,5A @ 24VCC. Configuración: mediante teclado frontal. Función: las salidas pueden funcionar como salidas de alarma,pero también como salidas de pulso, salidas de control remoto o en cualquier otra combinación. Alarmas: alarma de máx., alarma de mín., vinculadas con alarmas virtuales, para más detalles véase: alarmas virtuales. Tiempo mín. respuesta: ≤200ms, filtro excluido. Retardo de activ. punto de consigna: "0s". Pulso: retransmisión de señal, Total: +kWh, -kWh, +kvarh, -kvarh. Parcial: +kWh, -kWh, +kvarh, -kvarh. Salidas de pulso: las anteriores variables pueden conectarse a cualquier salida. Duración del pulso: programable de 0,001 a 10,00 kWh/kvarh por pulso. ≥100ms <120ms (ON), ≥120ms (OFF), según norma EN62052-31. Control remoto: la activación de las salidas se gestiona mediante el puerto de comunicacón.

Salidas estáticas (M O O2). Tipo Opto-Mos. Salidas físicas: 2 (máx. un módulo por equipo). Finalidad: para salida de alarma o de pulso. Señal: VON: 2.5VCA/CC/máx.100mA. VOFF: 260VCA/CC máx. Configuración: mediante teclado frontal. Función: las salidas pueden funcionar también como salidas de alarma, como salidas de pulso, como salidas de controllo remoto, o en cualquier otra combinación. Alarmas: alarma de máx., alarma de mín., vinculadas con alarmas virtuales, para más detalles véase Alarmas virtuales. Tiempo mín. de respuesta: ≤200ms, filtro excluido. Retardo de activ. punto de consigna: "0s". Pulso: Retransmisión de señal: Total: +kWh, -kWh, +kvarh, -kvarh. Parcial: +kWh, -kWh, +kvarh, -kvarh. Salidas de pulso: las anteriores variables pueden conectarse a cualquier salida. Duración del pulso: programable de 0,001 a 10,00 kWh/kvarh por pulso. ≥100ms < 120ms (ON), ≥120ms (OFF), según norma EN62052-31. Control remoto: la activación de las salidas se gestiona mediante el puerto de comunicación.

Salidas analógicas 20mA (M O A2). Numero de salidas: 2 (máx. un módulo por equipo). Precisión (a 25°C ±5°C, H.R. ≤60%): ±0,2%f.e. Escala: 0 a 20mA. Configuración: mediante teclado frontal. Retransmisión de señal: la salida de la señal puede conectarse a cualquier variable instantánea disponible. Factor de escala: programable en toda la escala de retransmisión; permite controlar la retransmisión de todos los valores desde 0 a 20 mACC. Tiempo de respuesta: ≤400 ms típico (filtro excluido). Ondulación: ≤1% (según normas IEC 60688-1, EN 60688-1). Variación total de temperatura: ≤500 ppm/°C. Carga: ≤600Ω.

Salidas analógicas 10VCC (M O V2). Numero de salidas: 2 (máx. un módulo por equipo). Precisión (a 25°C ±5°C, H.R. ≤60%): ±0,2%f.e. Escala: 0 a 10 VCC. Configuración: mediante el teclado frontal. Retransmisión de señal: la salida de la señal puede conectarse a cualquier variable instantánea disponible. Factor de escala: programable en toda la escala de retransmisión; permite controlar la retransmisión de todos los valores desde 0 a 10VCC. Tiempo de respuesta: ≤400 ms típico (filtro excluido). Rizado: ≤1% (según normas IEC 60688-1, EN 60688-1). Variación total de temperatura: ≤500 ppm/°C. Carga: ≥10kΩ.

Puerto RS485/RS422 (opcional). Tipo: multiterminal, bidireccional. Conexiones: 2 hilos. Distancia máx: 1000m, terminación directamente en el módulo. Protocoles: MODBUS/JBUS (RTU). Protocoles: MODBUS (247 seleccionable a través del teclado frontal); BACnet MS/TP (número de instancia seleccionable por software de programación). Formato de datos: 1 bit de arranque, 8 bit de datos, sin paridad, paridad par, paridad impar,1 bit de parada. Velocidad en baudios: seleccionable: 9,6k, 19,2k, 38,4k, 115,2k bit/s. Capacidad de entrada del driver; Carga unitaria, 1/5. Máximo: 160 transceptores en el mismo bus.

Puerto RS232 (opcional). Tipo: bidireccional. Conexiones: 3 hilos. Distancia máx 15m. Protocolo MODBUS RTU /JBUS. Formato de datos: 1 bit de arranque, 8 bit de datos, sin paridad, paridad par, paridad impar,1 bit de parada. Velocidad en baudios: seleccionable: 9,6k, 19,2k, 38,4k, 115,2k bit/s.