



ZIPPY TECHNOLOGY CORP.



10F, NO.50, MIN CHYUAN ROAD,
SHIN-TIEN CITY, TAIPEI COUNTY,
TAIWAN, R.O.C

TEL: 886-2-2918-8512 / 886-2-2918-0603
FAX: 886-2-2915-5765 / 886-22916-0215
[Http://www.zippy.com.tw](http://www.zippy.com.tw)

APPROVED DATA SHEET

Model: 1000500040(RF-12S-ABB1-1-Z)

ISSUED DATE: AUG.13.2013
APPROVED NO.: 1000500040.F
PAGE: 1/4

The undersigned guarantee of the model switches is meets the following specifications.

1.Operation Characteristics

Operating Force (OF) : Max. 700gf

2. Specifications

- Initial Contact Resistance : Max. 50 mΩ . (Measured by ohm meter –Open Voltage<1VDC, Driver current -100mA)
Before measure the switch contact resistance, please press the switch three times on and off.
- Initial Dielectric Strength : 1000VAC/minute (50-60HZ) between contacts.
3,000VAC/minute (50-60HZ) between Live-parts and dead metal parts.
- Insulation Resistance : Min. 100 MΩ (500 VDC/ minute) between Live-parts and dead metal parts.
- Circuit Arrangement : SPST (Single pole single throw)
- Rating : 12A 250VAC; 12(4)A 250VAC
- Service Life : Min. 10,000 operations.
- Rating Load : 12A 125/250VAC on Resistive Load.
12(4)A 250VAC on Resistive and Motor Load.
- Operating Frequency : 10~30 operations per minute.
- Safety Certificate : UL, cUL, ENEC14

- Mechanical Service Life : Min. 100,000 operations.
- Operating Frequency : Max. 30 operations per minute.



ZIPPY TECHNOLOGY CORP.



10F, NO.50, MIN CHYUAN ROAD,
SHIN-TIEN CITY, TAIPEI COUNTY,
TAIWAN, R.O.C

TEL: 886-2-2918-8512 / 886-2-2918-0603
FAX: 886-2-2915-5765 / 886-22916-0215
[Http://www.zippy.com.tw](http://www.zippy.com.tw)

APPROVED DATA SHEET

Model: 1000500040(RF-12S-ABB1-1-Z)

ISSUED DATE: AUG.13.2013
APPROVED NO.: 1000500040.F
PAGE: 2/4

3. Environments

- Operating Temperature : -40°C ~ 85°C (with no icing)
- Vibration Resistance : 10~55Hz, displacement 0.75mm(p-p)
- Shock Resistance : Destruction: 1,000 m/s² {approx. 100G} max.
- Soldering by hand : 300°C maximum within 5 seconds.
350°C maximum within 3 seconds.

Note: The button need to print “ I , O “ mark

ZIPPY TECHNOLOGY CORP.

簡素玲

PREPARED

沈俊榮

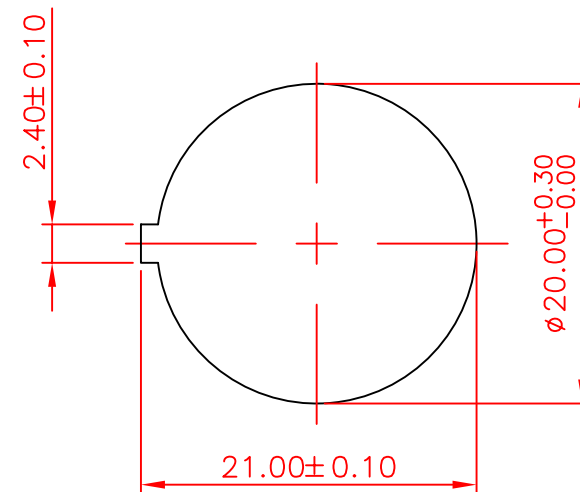
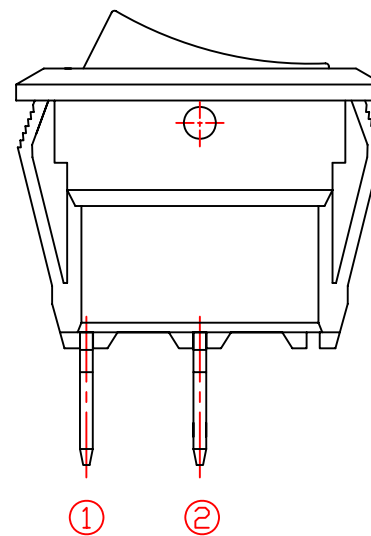
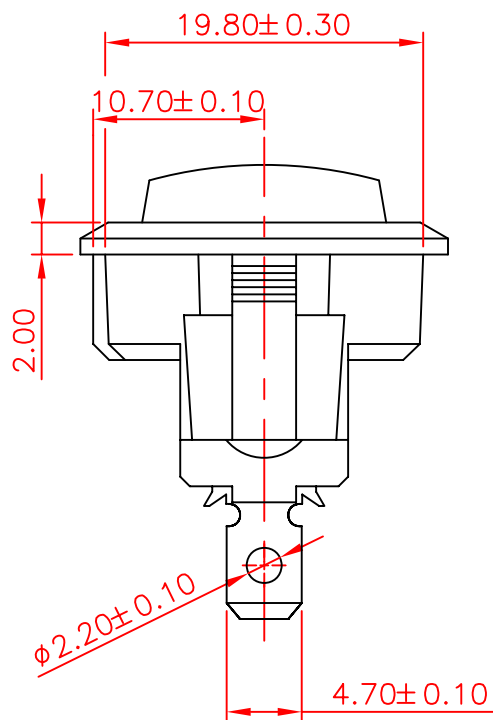
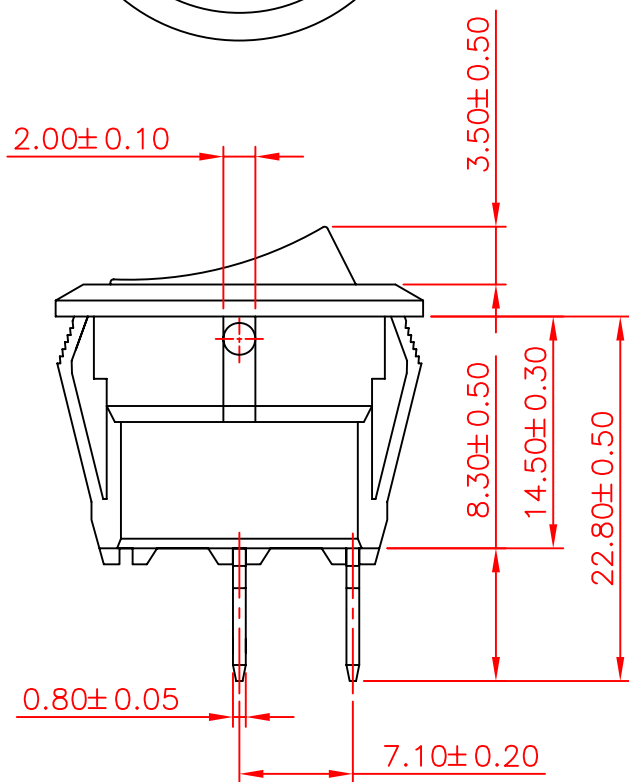
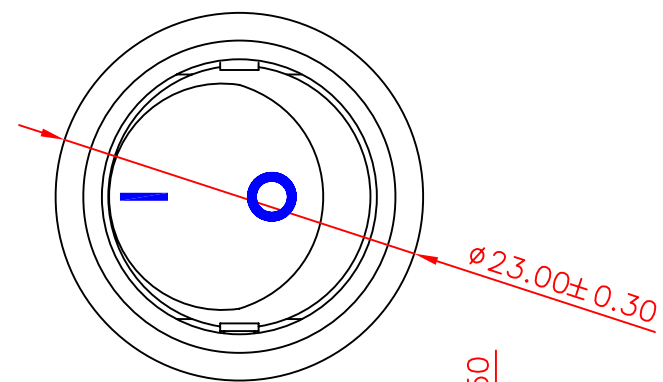
CHECKED

張哲維

APPROVED

Dimensions drawing

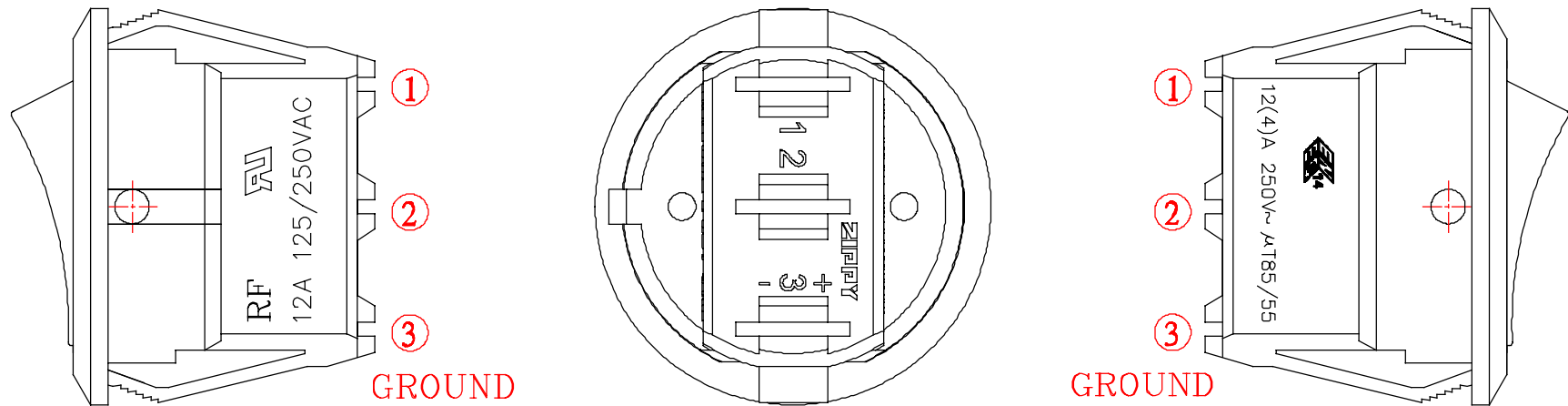
MOUNTING HOLE
t=0.5 to 2.0



Tolerance	
X.X	± 0.2
XX.X	± 0.4

VIEW		SIZE	A4	UNIT	mm
DATE	2009/03/25	VER.	1.4	FILE NAME	RF-12A1-1
APPROVAL	余映德	CONFIRM	歐大揮	DESIGN	張繼元

Marking drawing



Markings are either by printing or molding

VIEW		SIZE	A4	UNIT	mm
DATE	JUL-15-2014	VER.	1.4	FILE NAME	RF-12
APPROVAL	沈俊榮	CONFIRM	許志誠	DESIGN	張奕鉞