

**120** mm sq.

# San Ace 120



Model no. 9G1212B401 is not certified.

## General Specifications

- Material ..... Frame: Plastics (Flammability: UL94V-0),  
Impeller: Plastics (Flammability: UL94V-1)
- Expected Life ..... Refer to specifications (L10:Survival rate:90% at 60°C ,  
rated voltage, and continuously run in a free air state)
- Lead Wire ..... ⊕red ⊖black or blue (Sensor) yellow
- Storage Temperature ..... -30°C to +70°C (Non-condensing)

**120×120×25**mm (Mass : 240g) **9G type** 

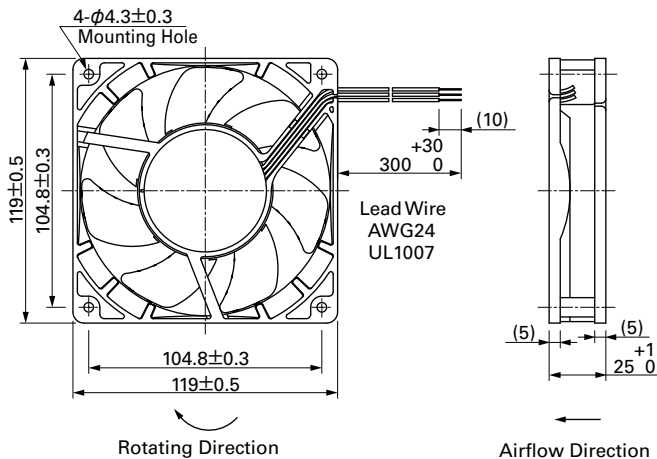
## Specifications

The following nos. **have pulse sensors and ribs**. For ribless, append "1" to the model no.

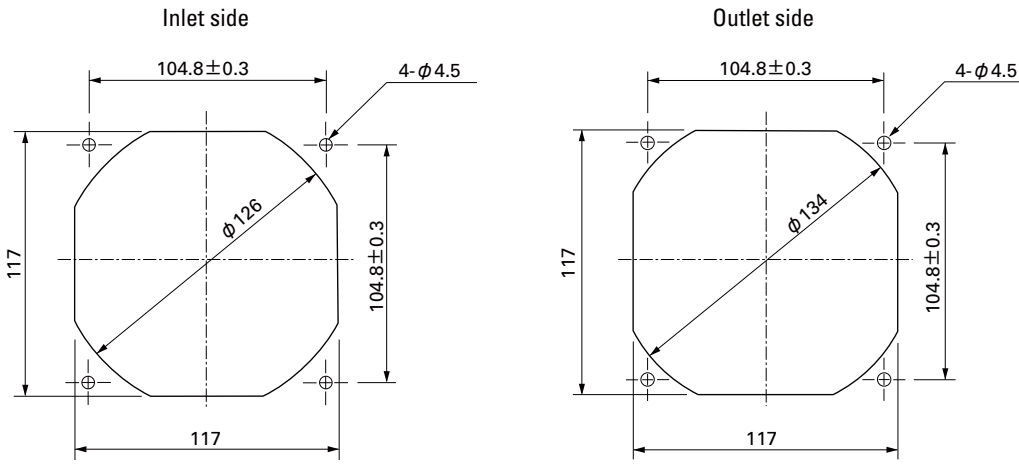
| Model No.  | Rated Voltage [V] | Operating Voltage Range [V] | Rated Current [A] | Rated Input [W] | Rated Speed [min <sup>-1</sup> ] | Max. Airflow [m <sup>3</sup> /min] [CFM] | Max. Static Pressure [Pa] [inchH <sub>2</sub> O] | SPL [dB(A)] | Operating Temperature [°C] | Expected Life [h] |
|------------|-------------------|-----------------------------|-------------------|-----------------|----------------------------------|--|--|-------------|----------------------------|-------------------|
| 9G1212G401 | 12                | 10.2 to 13.8                | 0.90              | 10.8            | 4,100                            | 3.68 130                                 | 120 0.482  | 51          | -20 to +70                 | 40,000/60°C       |
| 9G1212E401 |                   |                             | 0.58              | 6.96            | 3,650                            | 3.25 115                                 | 98 0.394   | 48          |                            |                   |
| 9G1212A401 |                   |                             | 0.40              | 4.80            | 3,150                            | 2.83 100                                 | 77 0.309   | 44          |                            |                   |
| 9G1212H401 |                   | 6 to 13.8                   | 0.31              | 3.72            | 2,850                            | 2.50 88                                  | 64 0.257   | 40          |                            |                   |
| 9G1212F401 |                   | 7 to 13.8                   | 0.19              | 2.28            | 2,250                            | 1.98 70                                  | 42 0.169   | 35          |                            |                   |
| 9G1212M401 |                   | 0.14                        | 1.68              | 1,950           | 1.66 59                          | 31 0.124                                 | 29   |             |                            |                   |
| 9G1212B401 |                   | 10.2 to 13.8                | 0.06              | 0.72            | 1,000                            | 0.88 31                                  | 9.6 0.039  | 18          |                            |                   |
| 9G1224G401 | 24                | 20.4 to 27.6                | 0.47              | 11.28           | 4,100                            | 3.68 130                                 | 120 0.482  | 51          |                            |                   |
| 9G1224E401 |                   |                             | 0.37              | 8.88            | 3,650                            | 3.25 115                                 | 98 0.394   | 48          |                            |                   |
| 9G1224A401 |                   |                             | 0.21              | 5.04            | 3,150                            | 2.83 100                                 | 77 0.309   | 44          |                            |                   |
| 9G1224H401 |                   | 12 to 27.6                  | 0.17              | 4.08            | 2,850                            | 2.50 88                                  | 64 0.257   | 40          |                            |                   |
| 9G1224F401 |                   | 0.10                        | 2.40              | 2,250           | 1.98 70                          | 42 0.169                                 | 35   |             |                            |                   |
| 9G1224M401 |                   | 20.4 to 27.6                | 0.08              | 1.92            | 1,950                            | 1.66 59                                  | 31 0.124   | 29          |                            |                   |
| 9G1248G401 | 48                | 40.8 to 55.2                | 0.23              | 11.04           | 4,100                            | 3.68 130                                 | 120 0.482  | 51          |                            |                   |
| 9G1248E401 |                   |                             | 0.16              | 7.68            | 3,650                            | 3.25 115                                 | 98 0.394   | 48          |                            |                   |
| 9G1248A401 |                   |                             | 0.13              | 6.24            | 3,150                            | 2.83 100                                 | 77 0.309   | 44          |                            |                   |
| 9G1248H401 |                   |                             | 0.10              | 4.80            | 2,850                            | 2.50 88                                  | 64 0.257   | 40          |                            |                   |
| 9G1248F401 |                   |                             | 0.06              | 2.88            | 2,250                            | 1.98 70                                  | 42 0.169   | 35          |                            |                   |
| 9G1248M401 |                   |                             | 0.05              | 2.40            | 1,950                            | 1.66 59                                  | 31 0.124   | 29          |                            |                   |

Models without sensors, or with lock sensors, or PWM control function are available as options. Please refer to the index (pp. 473 to 474).

## Dimensions (unit: mm) (With ribs)



Reference Dimensions of Mounting Holes and Vent Opening (unit: mm)

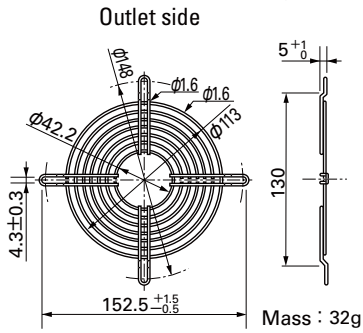


Options (unit: mm)

Finger Guards

Model : 109-019C Surface treatment : Nickel-chrome plating (silver)  
 : 109-019H : Cation electropainting (black)

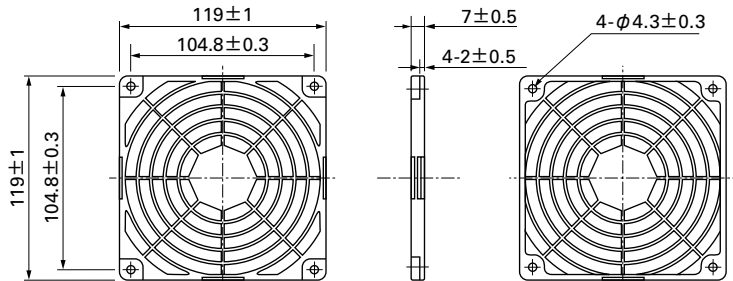
Color



Mass : 32g

Resin Finger Guards

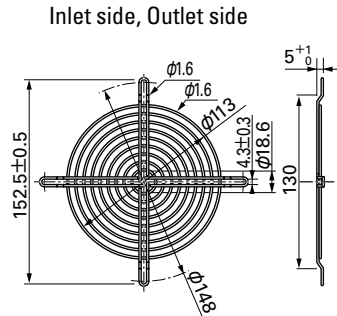
Model : 109-1000G



Mass : 23g

Model : 109-019E Surface treatment : Nickel-chrome plating (silver)  
 : 109-019K : Cation electropainting (black)

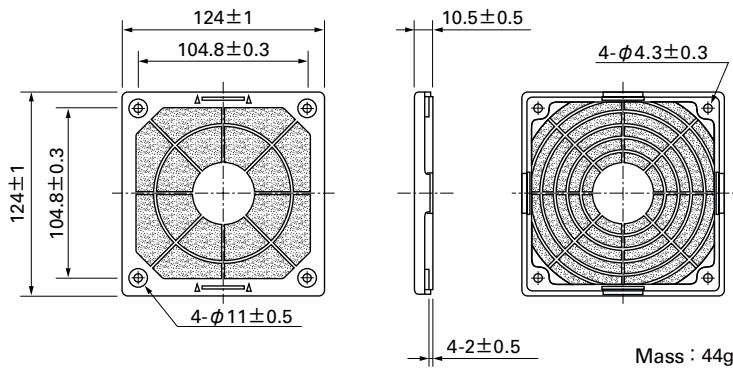
Color



Mass : 42g

Resin Filter Kits

Model : 109-1000F13 (13PPI), 109-1000F20 (20PPI)  
 : 109-1000F30 (30PPI), 109-1000F40 (40PPI)



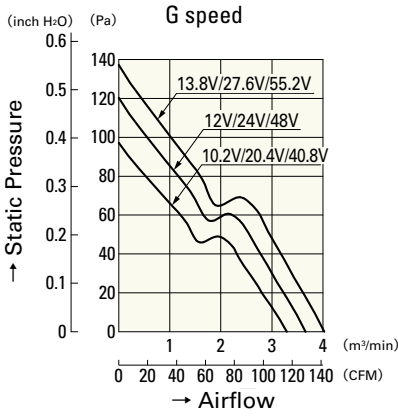
Mass : 44g

**120**mm sq.

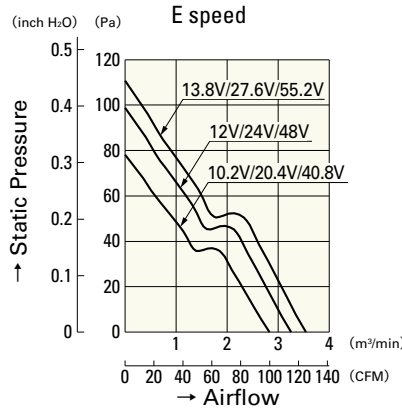
**San Ace 120**

**120×120×25mm** [Mass : 240g]

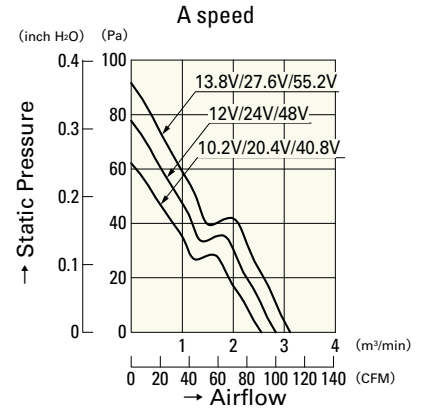
**Airflow - Static Pressure Characteristics**



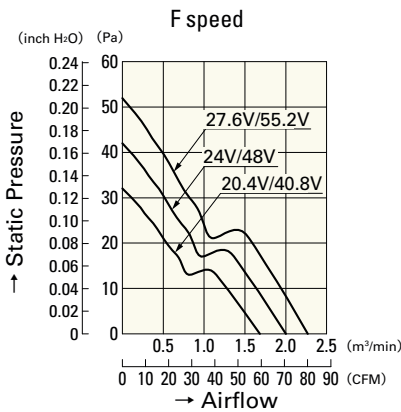
- 9G1212G401**
- 9G1224G401**
- 9G1248G401**



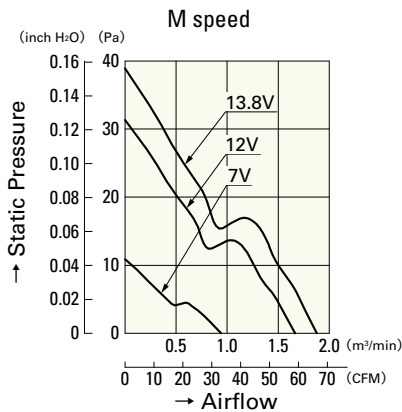
- 9G1212E401**
- 9G1224E401**
- 9G1248E401**



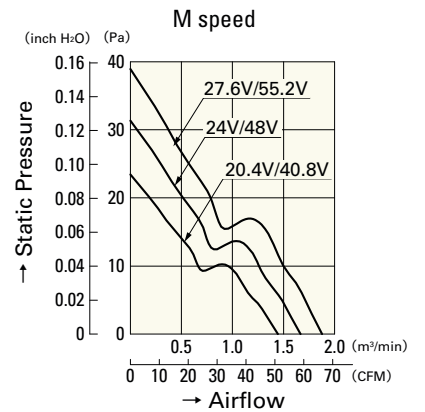
- 9G1212A401**
- 9G1224A401**
- 9G1248A401**



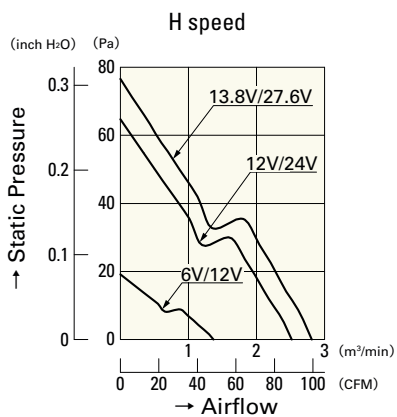
- 9G1224F401**
- 9G1248F401**



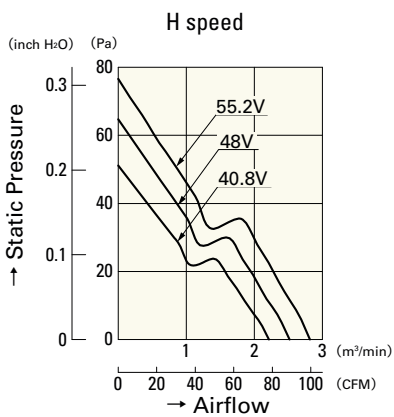
- 9G1212M401**



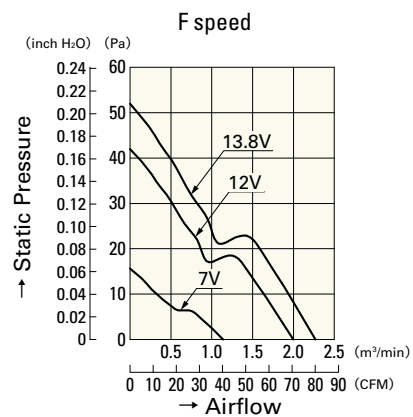
- 9G1224M401**
- 9G1248M401**



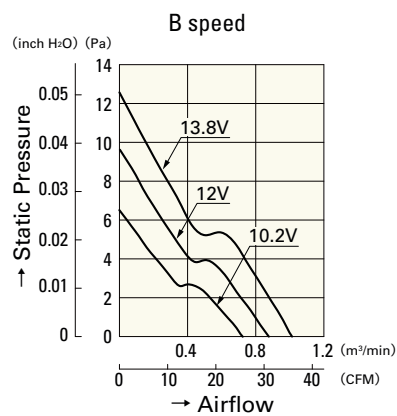
**9G1212H401**  
**9G1224H401**



**9G1248H401**



**9G1212F401**



**9G1212B401**

# Mouser Electronics

Authorized Distributor

Click to View Pricing, Inventory, Delivery & Lifecycle Information:

## Sanyo Denki:

[9G1212A401](#) [9G1212F4011](#) [9G1212G4011](#) [9G1224A4011](#) [9G1212E401](#) [9G1212E4011](#) [9G1212H4011](#)  
[9G1212M4011](#) [9G1224E401](#) [9G1224E4011](#) [9G1224G401](#) [9G1224G4011](#) [9G1248A401](#) [9G1248E4011](#)  
[9G1248E401](#) [9G1248G401](#) [9G1248F401](#) [9G1248H4011](#) [9G1224A401](#) [9G1224M401](#) [9G1224H401](#) [9G1224H4011](#)  
[9G1224F401](#) [9G1212F401](#) [9G1212A4011](#) [9G1212H401](#) [9G1212M401](#) [9G1212G401](#) [9G1248A4011](#) [9G1248F4011](#)  
[9G1224F4011](#) [9G1248H401](#) [9G1224M4011](#) [9G1248M401](#) [9G1248M4011](#) [9G1248G4011](#)