

120mm sq.

San Ace 120W



General Specifications

- Material Frame: Plastics (Flammability: UL94V-0),
Impeller: Plastics (Flammability: UL94V-1)
- Expected Life Refer to specifications (Indoor, L10:Survival rate: 90% at 60°C,
rated voltage, and continuously run in a free air state)
- Lead Wire ⊕red ⊖black (Sensor) yellow
- Storage Temperature -30°C to +70°C (Non-condensing)

120×120×38mm (Mass : 360g) **IP 68** **9WP** type

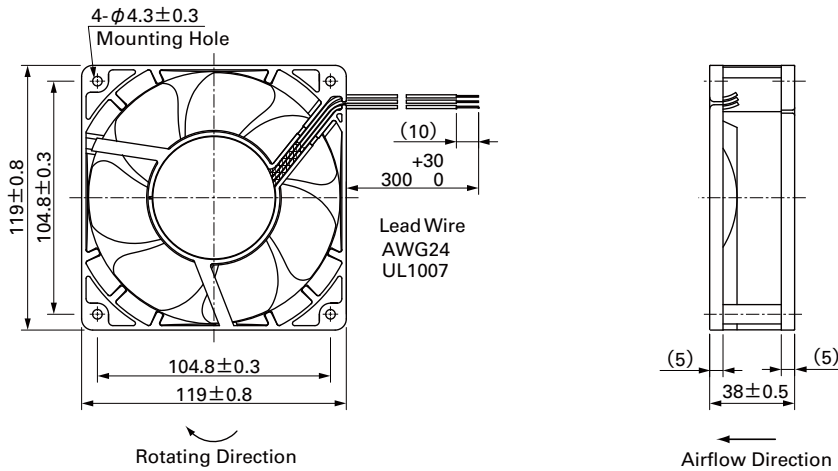
Specifications

The following nos. **have pulse sensors and ribs.** For ribless, append "1" to the model no.

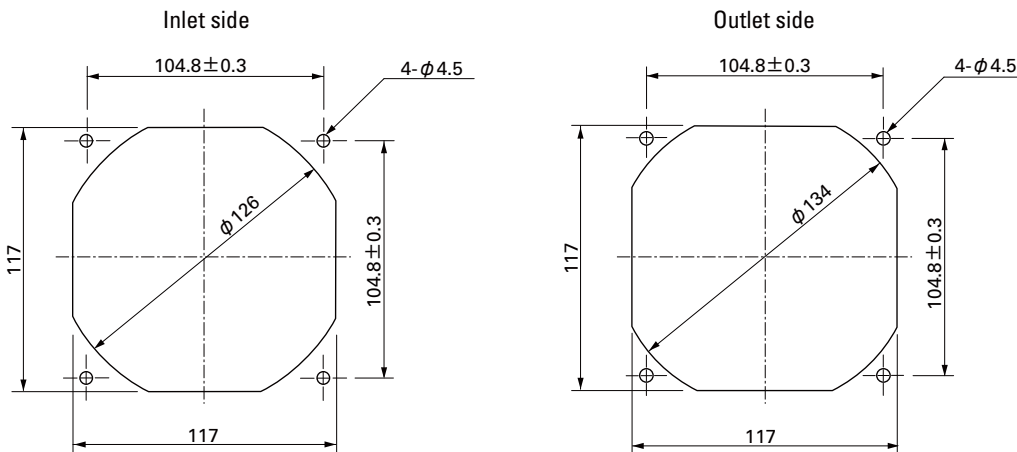
Model No.	Rated Voltage [V]	Operating Voltage Range [V]	Rated Current [A]	Rated Input [W]	Rated Speed [min ⁻¹]	Max. Airflow [m ³ /min] [CFM]	Max. Static Pressure [Pa] [inchH ₂ O]	SPL [dB(A)]	Operating Temperature [°C]	Expected Life [h]
9WP1212H101	12	7.0 to 13.8	0.38	4.56	2,600	2.80 99	70.4 0.283	39	- 20 to + 70	40,000/60°C
9WP1224H101	24	14.0 to 27.6	0.22	5.28	2,600	2.80 99	70.4 0.283	39		
9WP1248H101	48	40.8 to 55.2	0.11	5.28	2,600	2.80 99	70.4 0.283	39		

Models without sensors or with lock sensors are available as options. Please refer to the index (p. 482).

Dimensions (unit: mm) (With ribs)



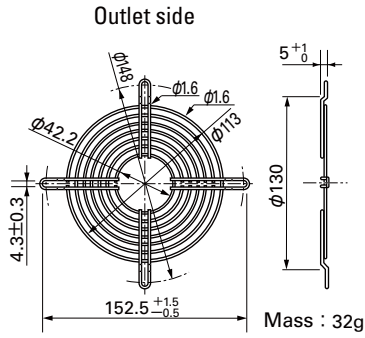
Reference Dimensions of Mounting Holes and Vent Opening (unit: mm)



Options (unit: mm)

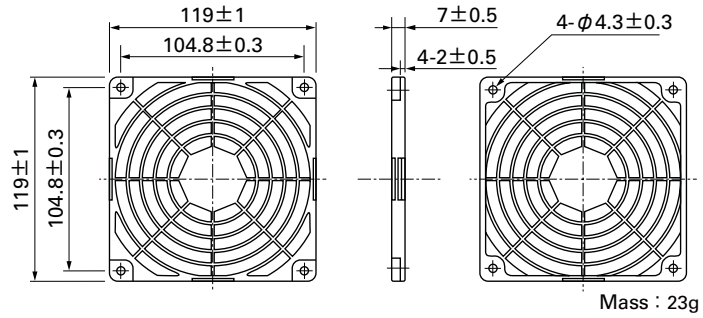
Finger Guards

Model : 109-019C Surface treatment : Nickel-chrome plating (silver) Color (silver)
 : 109-019H : Cation electropainting (black)



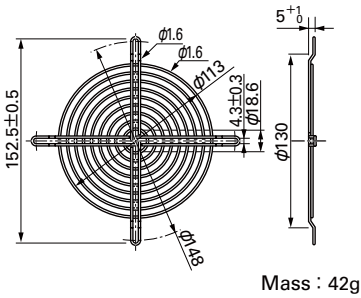
Resin Finger Guards

Model : 109-1000G

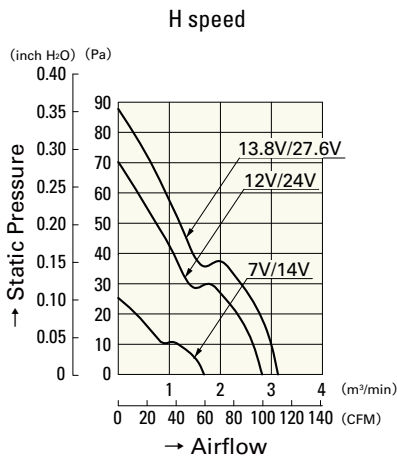


Model : 109-019E Surface treatment : Nickel-chrome plating (silver) Color (silver)
 : 109-019K : Cation electropainting (black)

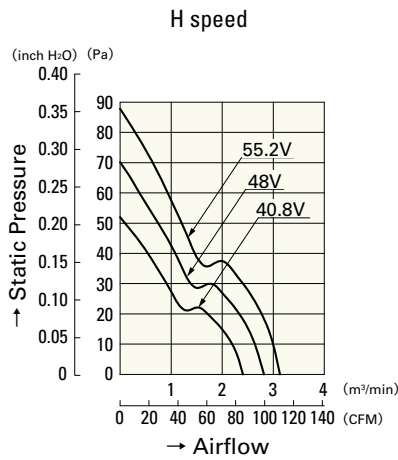
Inlet side, Outlet side



Airflow - Static Pressure Characteristics



9WP1212H101
9WP1224H101



9WP1248H101