

140mm sq.

San Ace 140L



Model no. 9LB1424B501, 9LB1448F501 are not certified.

General Specifications

- Material Frame: Aluminum,
Impeller: Plastics (Flammability: UL94V-1)
- Expected Life Refer to specifications (L10:Survival rate: 90% at 60°C ,
rated voltage, and continuously run in a free air state)
- Lead Wire ⊕red ⊖black or blue (Sensor) yellow
- Storage Temperature -30°C to +70°C (Non-condensing)

140×140×51mm (Mass : 610g) **9LB type**

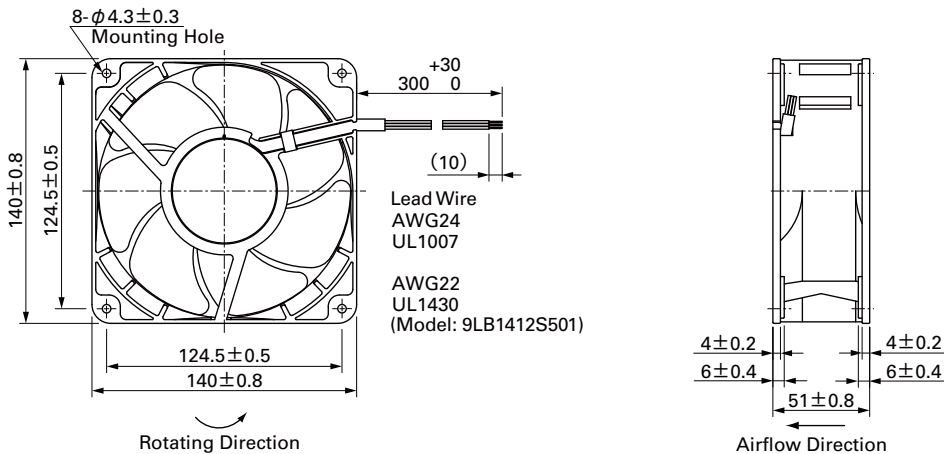
Specifications

The following nos. have pulse sensors.

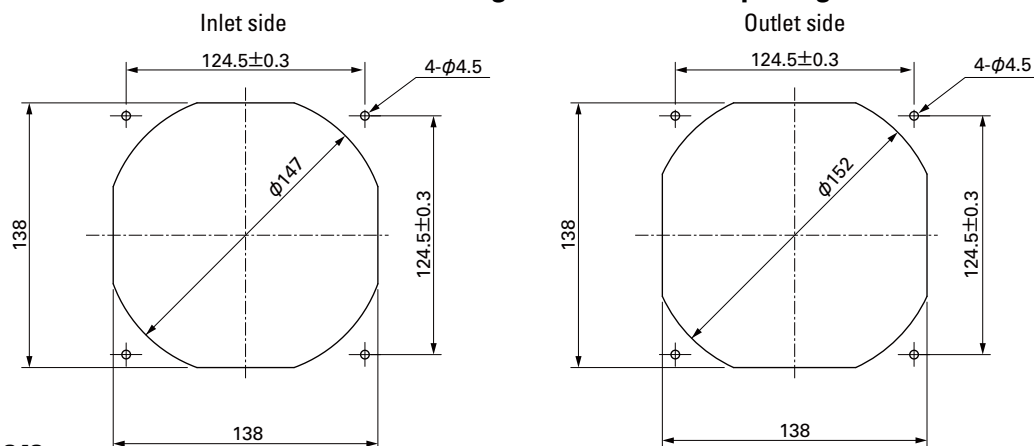
Model No.	Rated Voltage [V]	Operating Voltage Range [V]	Rated Current [A]	Rated Input [W]	Rated Speed [min ⁻¹]	Max. Airflow [m ³ /min] [CFM]	Max. Static Pressure [Pa] [inchH ₂ O]	SPL [dB(A)]	Operating Temperature [°C]	Expected Life [h]
9LB1412S501	12	10.2 to 13.8	2.7	32.4	4,200	8.1 286.2	240 0.96	57	- 20 to + 70	60,000/60°C
9LB1412H501			1.25	15.0	3,100	5.9 208.5	130 0.52	49		100,000/60°C
9LB1412M501			0.46	5.52	2,050	3.9 138	63 0.25	39		60,000/60°C
9LB1424S501	24	20.4 to 27.6	1.38	33.12	4,200	8.1 286.2	240 0.96	57		60,000/60°C
9LB1424B501			0.97	23.3	3,700	7.1 251	186 0.75	55		100,000/60°C
9LB1424H501			0.60	14.4	3,100	5.9 208.5	130 0.52	49		60,000/60°C
9LB1424M501			0.22	5.28	2,050	3.9 138	63 0.25	39		100,000/60°C
9LB1448S501	48	40.8 to 55.2	0.71	34.08	4,200	8.1 286.2	240 0.96	57		60,000/60°C
9LB1448H501			0.27	12.96	3,100	5.9 208.5	130 0.52	49		100,000/60°C
9LB1448F501			0.18	8.6	2,550	4.8 169	91 0.37	44		100,000/60°C
9LB1448M501			0.12	5.76	2,050	3.9 138	63 0.25	39		

Models without sensors or with lock sensors are available as options. Please refer to the index (pp. 478 to 479).

Dimensions (unit: mm)



Reference Dimensions of Mounting Holes and Vent Opening (unit: mm)



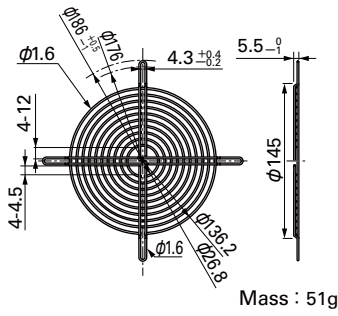
Options (unit: mm)

Finger Guards

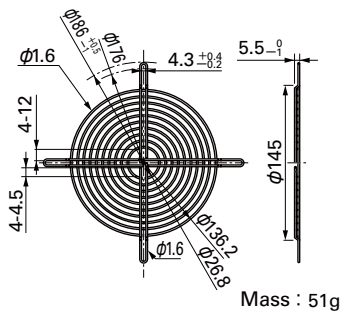
Model : 109-719 Surface treatment : Nickel-chrome plating (silver) Color

Model : 109-719H Surface treatment : Cation electropainting (black) Color

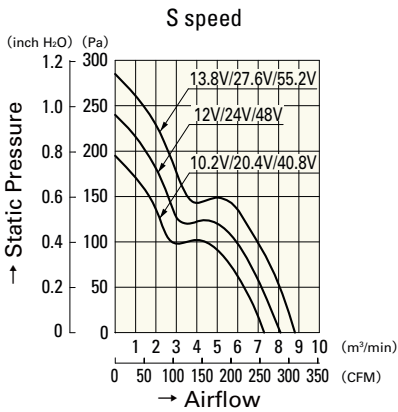
Inlet side, Outlet side



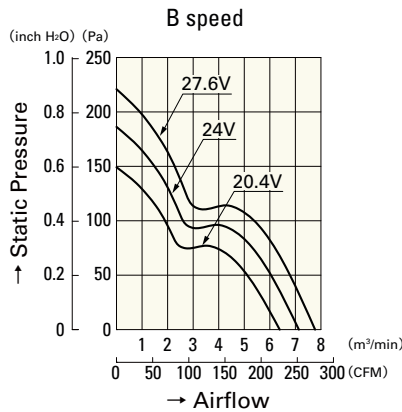
Inlet side, Outlet side



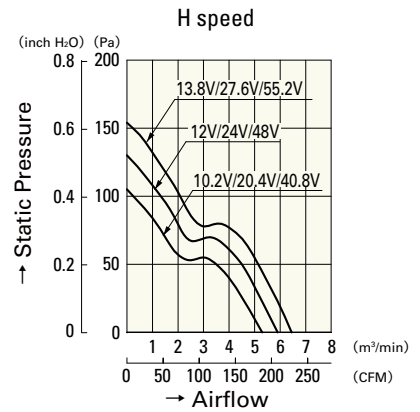
Airflow - Static Pressure Characteristics



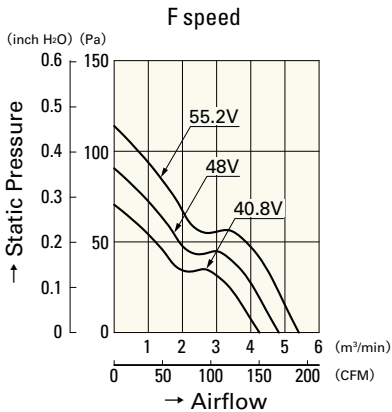
- 9LB1412S501**
- 9LB1424S501**
- 9LB1448S501**



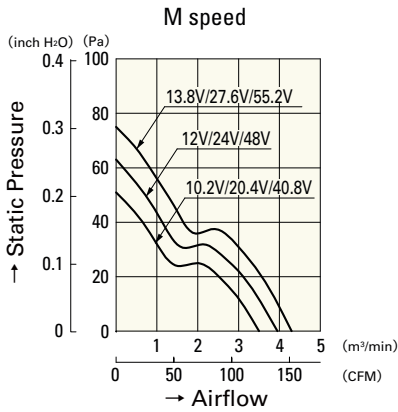
- 9LB1424B501**



- 9LB1412H501**
- 9LB1424H501**
- 9LB1448H501**



- 9LB1448F501**



- 9LB1412M501**
- 9LB1424M501**
- 9LB1448M501**

DC
Long Life Fan 140mm