

60mm sq.

San Ace 60WF



General Specifications

- Material Frame: Plastics (Flammability: UL94V-0), Impeller: Plastics (Flammability: UL94V-0)
- Expected Life Refer to specifications (L10:Survival rate: 90% at 60°C , rated voltage, and continuously run in a free air state)
- Lead Wire ⊕red ⊖black (Sensor) yellow
- Storage Temperature -30°C to +70°C (Non-condensing)

The product can be used in an oil mist environment*

*Environment where machining oil mist is scattered.
Usage of this product requires an evaluation with the oil that will be used.

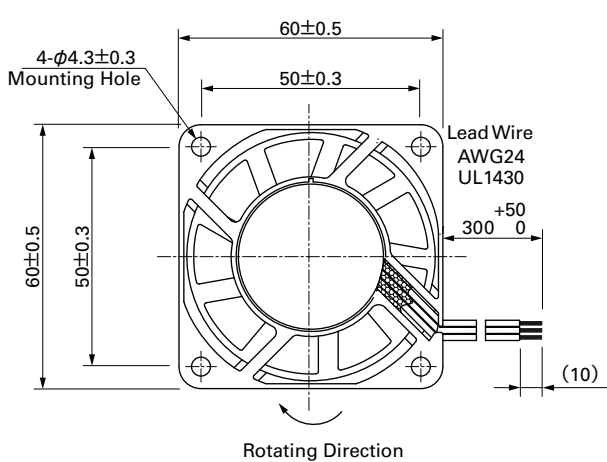
60×60×15mm (Mass : 62g) **9WF** type

Specifications The following nos. have pulse sensors and ribs.

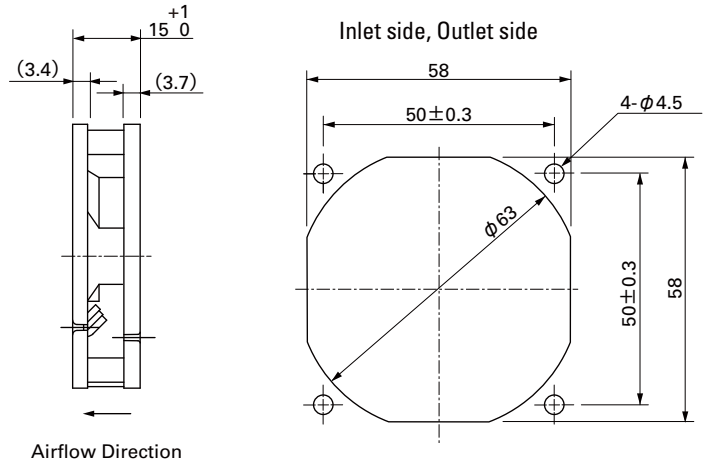
Model No.	Rated Voltage [V]	Operating Voltage Range [V]	Rated Current [A]	Rated Input [W]	Rated Speed [min ⁻¹]	Max. Airflow [m ³ /min] [CFM]	Max. Static Pressure [Pa] [inchH ₂ O]	SPL [dB(A)]	Operating Temperature [°C]	Expected Life [h]
9WF0624H701	24	20.4 to 27.6	0.12	2.88	6,800	0.52 18.3	95 0.38	44	- 20 to + 70	40,000/60°C

Models without sensors or with lock sensors are available as options. Please refer to the index (p. 481).

Dimensions (unit: mm)



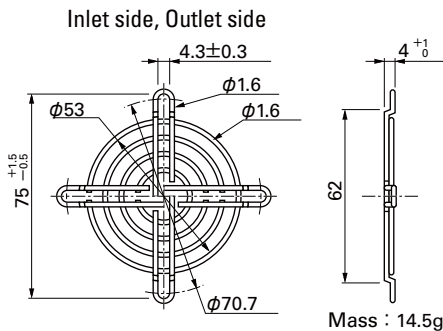
Reference Dimensions of Mounting Holes and Vent Opening (unit: mm)



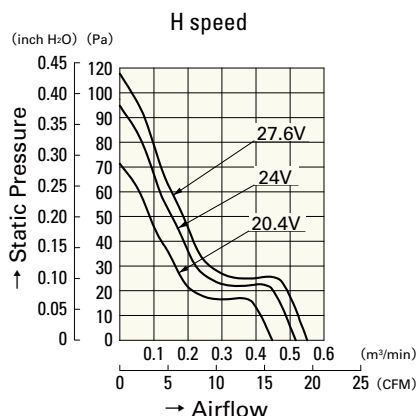
Options (unit: mm)

Finger Guards

Model : 109-139E Surface treatment : Nickel-chrome plating (silver) Color : 109-139H : Cation electropainting (black)



Airflow - Static Pressure Characteristics



9WF0624H701