

**80** mm sq.

# San Ace 80



## General Specifications

- Material ..... Frame: Plastics (Flammability: UL94V-0),  
Impeller: Plastics (Flammability: UL94V-0)
- Expected Life ..... Refer to specifications (L10:Survival rate:90% at 60°C ,  
rated voltage, and continuously run in a free air state)
- Lead Wire ..... Inlet ⊕red ⊖black (Sensor) yellow (Control) brown  
Outlet ⊕orange ⊖gray (Sensor) purple (Control) white
- Storage Temperature ..... -30°C to +70°C (Non-condensing)

**80×80×80** mm (Mass : 450g) **9CRA type**

## Specifications

The following nos. **have PWM controls and pulse sensors.**

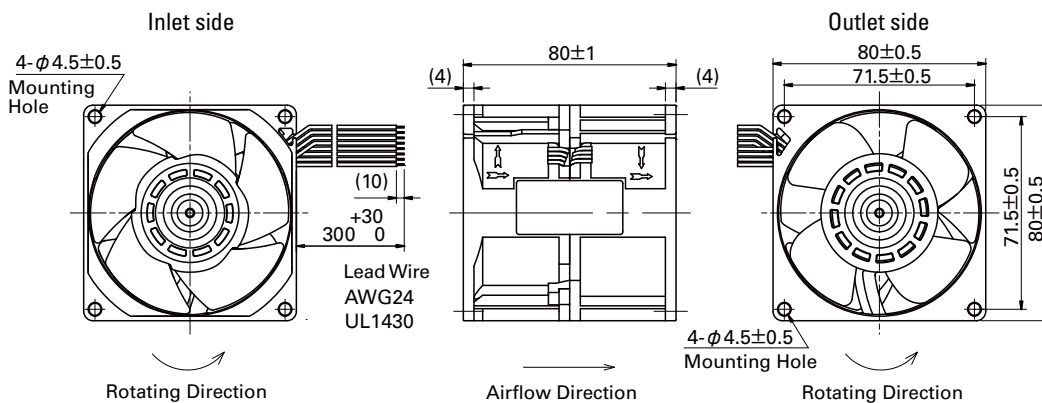
Model No.	Rated Voltage [V]	Operating Voltage Range [V]	PWM duty cycle※ [%]	Rated Current [A]	Rated Input [W]	Rated Speed [min <sup>-1</sup> ]		Max. Airflow [m <sup>3</sup> /min] [CFM]		Max. Static Pressure [Pa] [inchH <sub>2</sub> O]		SPL [dB(A)]	Operating Temperature [°C]	Expected Life <sup>nom</sup> [h]
						Inlet	Outlet							
9CRA0812P8G001	12	10.8 to 13.2	100	5.3	63.6	12,000	11,300	4.5	158.9	1,150	4.62	76	-20 to +70	40,000/60°C (70,000/40°C)
			0	0.2	2.4	2,000	1,900	0.74	26.1	31.9	0.13	30		
9CRA0848P8G001	48	40.8 to 55.2	100	1.32	63.4	12,000	11,300	4.5	158.9	1,150	4.62	76	-20 to +70	40,000/60°C (70,000/40°C)
			0	0.29	13.9	5,000	4,700	1.88	66.2	200	0.80	52		

Note: Expected life at 40°C ambient is just reference value.

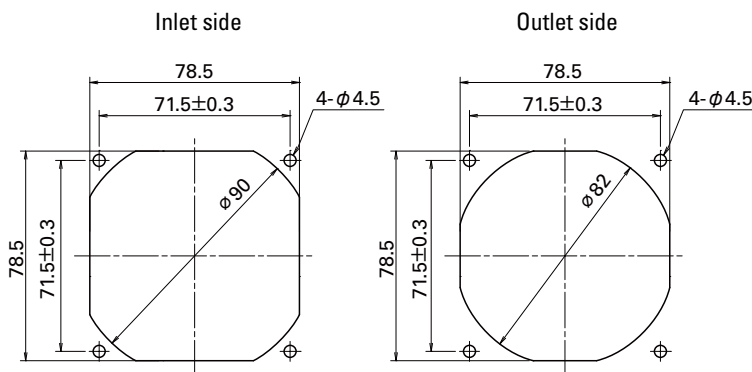
※PWM Frequency : 25kHz

Models with pulse sensors (no PWM control function) are available as an option. Please refer to the index (p. 471).

## Dimensions (unit: mm)



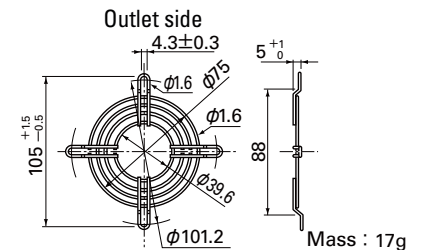
## Reference Dimensions of Mounting Holes and Vent Opening (unit: mm)



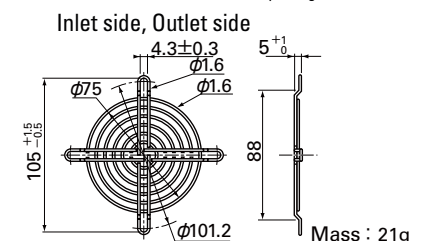
## Options (unit: mm)

### Finger Guards

Model : 109-049C Surface treatment : Nickel-chrome plating (silver) Color : Nickel-chrome plating (silver)



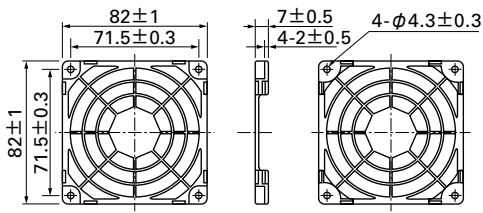
Model : 109-049E Surface treatment : Nickel-chrome plating (silver) Color : Nickel-chrome plating (silver)  
: 109-049H Surface treatment : Cation electropainting (black) Color : Cation electropainting (black)



**Options (unit: mm)**

**Resin Finger Guards**

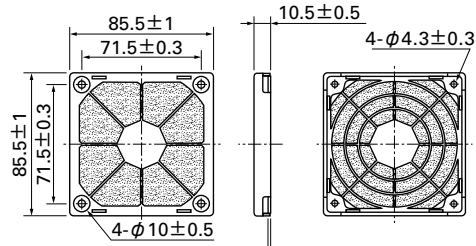
Model : 109-1002G



Mass : 10g

**Resin Filter Kits**

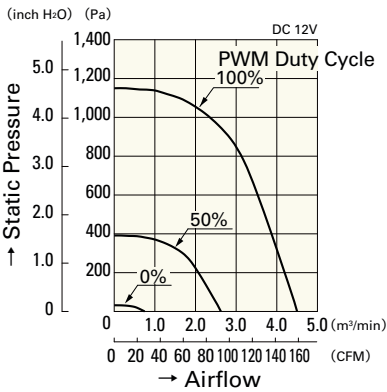
Model : 109-1002F13 (13PPI), 109-1002F20 (20PPI)  
: 109-1002F30 (30PPI), 109-1002F40 (40PPI)



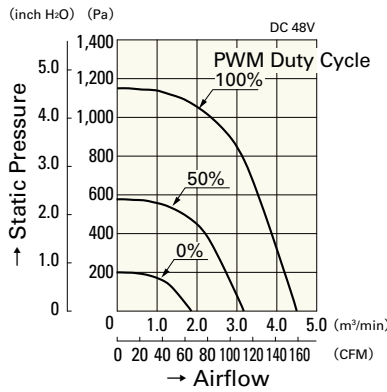
Mass : 19g

**Airflow - Static Pressure Characteristics**

**PWM Duty Cycle**

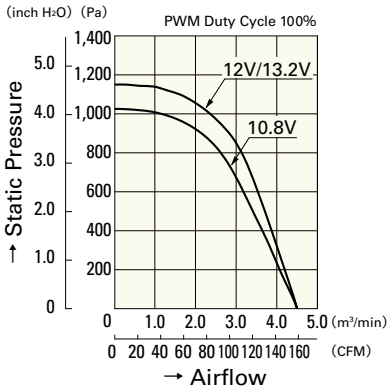


**9CRA0812P8G001**

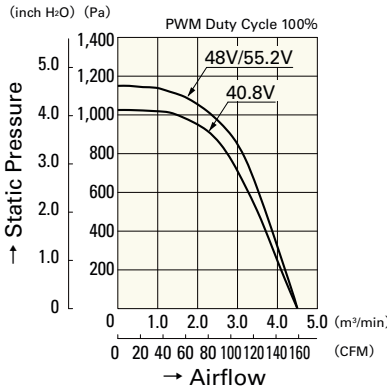


**9CRA0848P8G001**

**Operating Voltage Range**

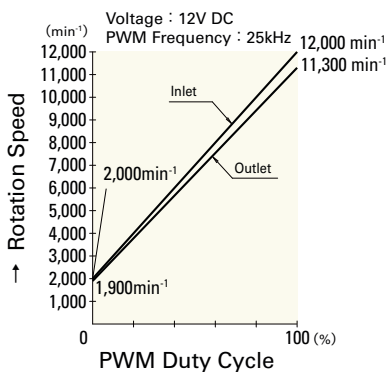


**9CRA0812P8G001**

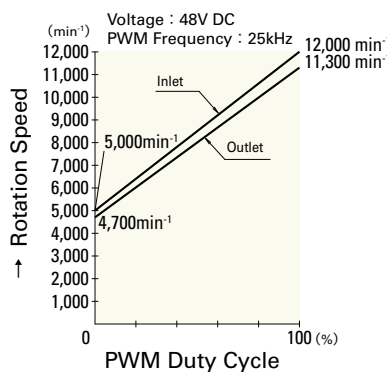


**9CRA0848P8G001**

**PWM Duty - Speed Characteristics Example**



**9CRA0812P8G001**



**9CRA0848P8G001**