

# 80mm sq.

## San Ace 80WF



### General Specifications

- Material ..... Frame: Plastics (Flammability: UL94V-0), Impeller: Plastics (Flammability: UL94V-0)
- Expected Life ..... Refer to specifications (L10:Survival rate: 90% at 60°C, rated voltage, and continuously run in a free air state)
- Lead Wire ..... ⊕red ⊖black (Sensor) yellow
- Storage Temperature ..... -30°C to +70°C (Non-condensing)

The product can be used in an oil mist environment\*

\*Environment where machining oil mist is scattered.  
Usage of this product requires an evaluation with the oil that will be used.

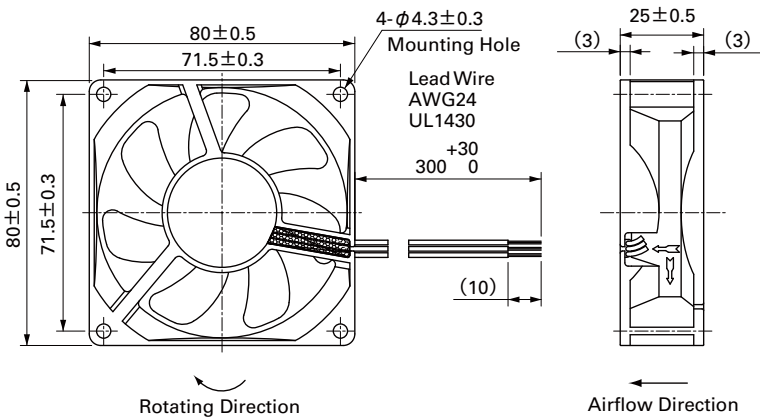
## 80×80×25mm (Mass : 130g) 9WF type

### Specifications The following nos. have pulse sensors and ribs.

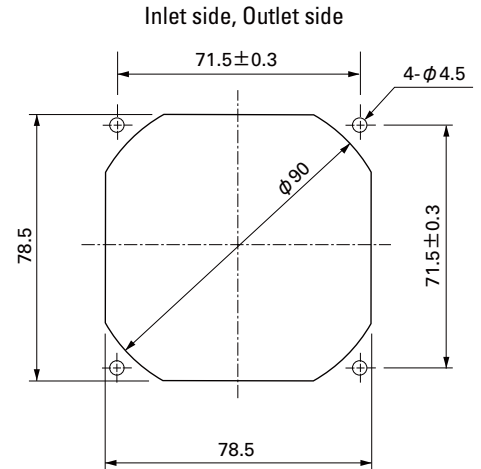
| Model No.   | Rated Voltage [V] | Operating Voltage Range [V] | Rated Current [A] | Rated Input [W] | Rated Speed [min <sup>-1</sup> ] | Max. Airflow [m <sup>3</sup> /min] [CFM] | Max. Static Pressure [Pa] [inchH <sub>2</sub> O] | SPL [dB(A)] | Operating Temperature [°C] | Expected Life [h] |
|-------------|-------------------|-----------------------------|-------------------|-----------------|----------------------------------|--|--|-------------|----------------------------|-------------------|
| 9WF0824S401 | 24                | 20.4 to 27.6                | 0.16              | 3.84            | 4,000                            | 1.2 42.4                                 | 58 0.23  | 38          | -20 to +70                 | 40,000/60°C       |

Models without sensors are available as an option. Please refer to the index (p. 481).

### Dimensions (unit: mm)



### Reference Dimensions of Mounting Holes and Vent Opening (unit: mm)

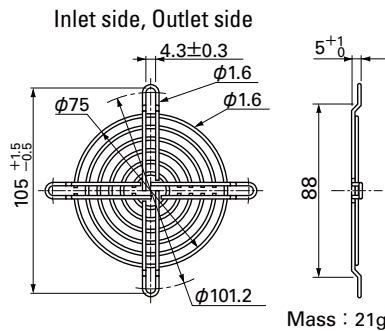
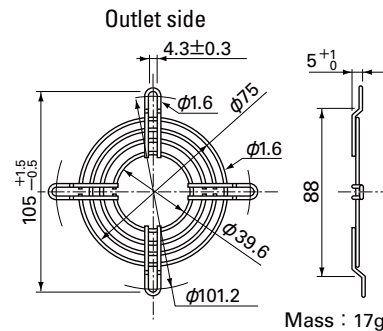


### Options (unit: mm)

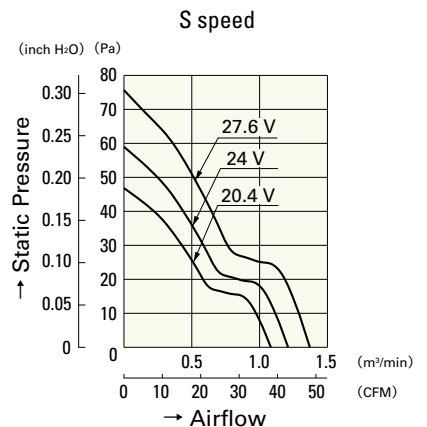
#### Finger Guards

Model : 109-049C Surface treatment : Nickel-chrome plating (silver) Color (silver)

Model : 109-049E Surface treatment : Nickel-chrome plating (silver) Color (silver)  
: 109-049H : Cation electropainting (black)



### Airflow - Static Pressure Characteristics



9WF0824S401