

**80**mm sq.

# San Ace 80WS



## General Specifications

- Material ..... Frame: Plastics (Flammability: UL94V-0),  
Impeller: Plastics (Flammability: UL94V-1)
- Expected Life ..... Refer to specifications (Indoor, L10:Survival rate: 90% at 60°C,  
rated voltage, and continuously run in a free air state)
- Lead Wire ..... ⊕red ⊖black or blue (Sensor) yellow
- Storage Temperature ..... -30°C to +70°C (Non-condensing)

**80×80×25**mm (Mass : 120g) **IP 54** **9WS** type

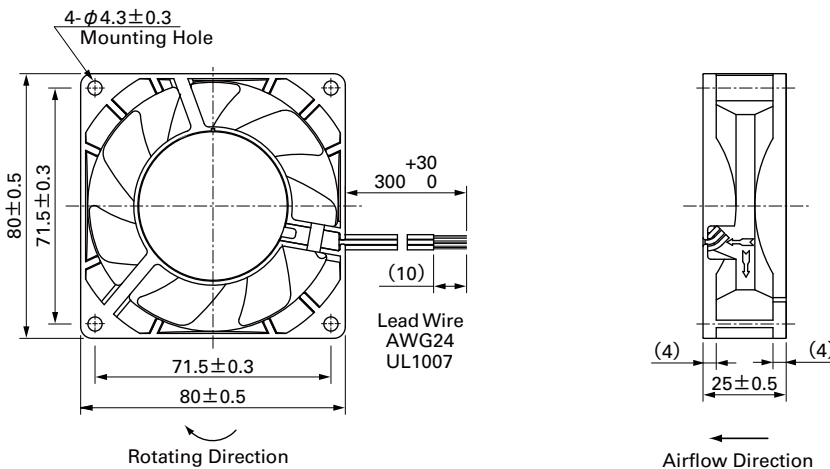
## Specifications

The following nos. **have pulse sensors and ribs**. For ribless, append "1" to the model no.

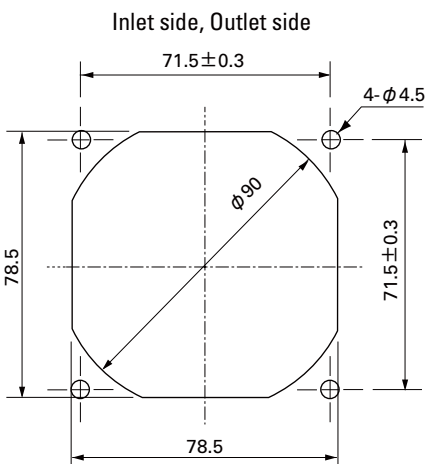
Model No.	Rated Voltage [V]	Operating Voltage Range [V]	Rated Current [A]	Rated Input [W]	Rated Speed [min <sup>-1</sup> ]	Max. Airflow [m <sup>3</sup> /min] [CFM]	Max. Static Pressure [Pa] [inchH <sub>2</sub> O]	SPL [dB(A)]	Operating Temperature [°C]	Expected Life [h]	
9WS0812H401	12	10.2 to 13.8	0.16	1.92	3,100	0.94	33.2	45.1	0.181	- 20 to + 70	40,000/60°C
9WS0812F401			0.13	1.56	2,700	0.83	29.3	34.3	0.138		
9WS0812M401			0.1	1.2	2,200	0.65	23.0	23.5	0.094		
9WS0824H401	24	20.4 to 27.6	0.09	2.16	3,100	0.94	33.2	45.1	0.181	- 20 to + 70	40,000/60°C
9WS0824F401			0.07	1.68	2,700	0.83	29.3	34.3	0.138		
9WS0824M401			0.05	1.2	2,200	0.65	23.0	23.5	0.094		

Models without sensors or with lock sensors are available as options. Please refer to the index (p. 482).

## Dimensions (unit: mm) (With ribs)



## Reference Dimensions of Mounting Holes and Vent Opening (unit: mm)

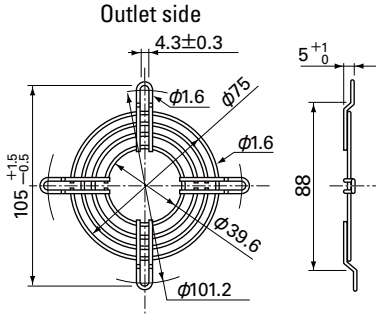


## Options (unit: mm)

### Finger Guards

Model : 109-049C Surface treatment : Nickel-chrome plating (silver) Color

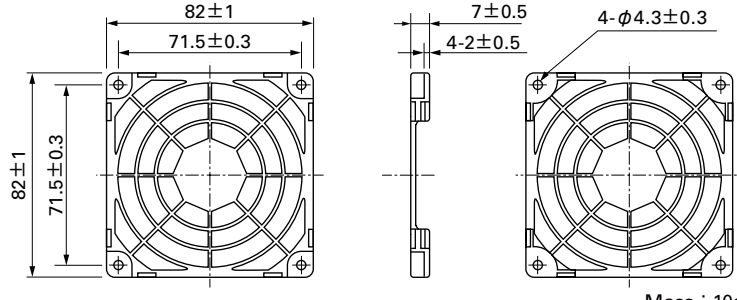
Color



Mass : 17g

### Resin Finger Guards

Model : 109-1002G

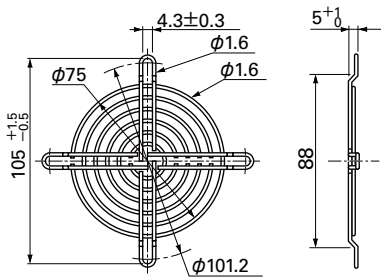


Mass : 10g

Model : 109-049E Surface treatment : Nickel-chrome plating (silver) Color  
: 109-049H : Cation electropainting (black)

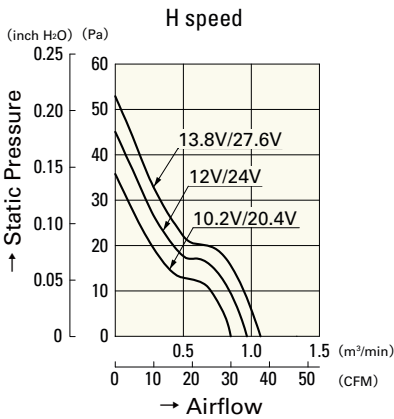
Color

### Inlet side, Outlet side

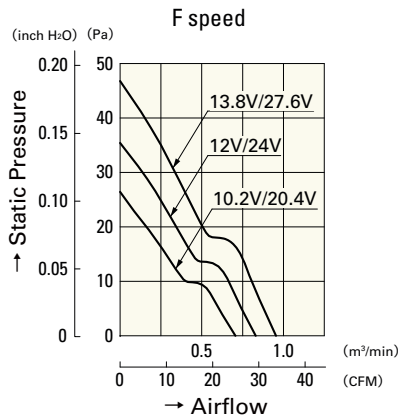


Mass : 21g

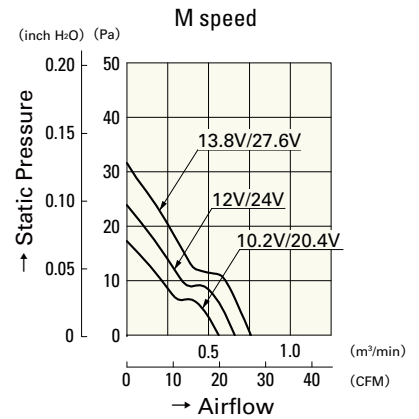
## Airflow - Static Pressure Characteristics



**9WS0812H401**  
**9WS0824H401**



**9WS0812F401**  
**9WS0824F401**



**9WS0812M401**  
**9WS0824M401**