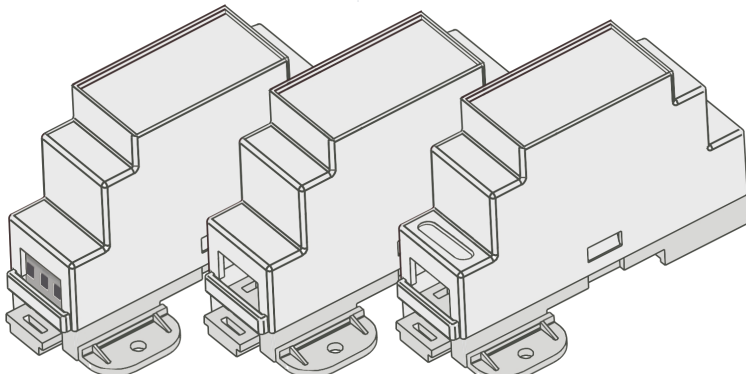


# 1½ MODULE ENCLOSURE FOR M36 DIN-RAIL

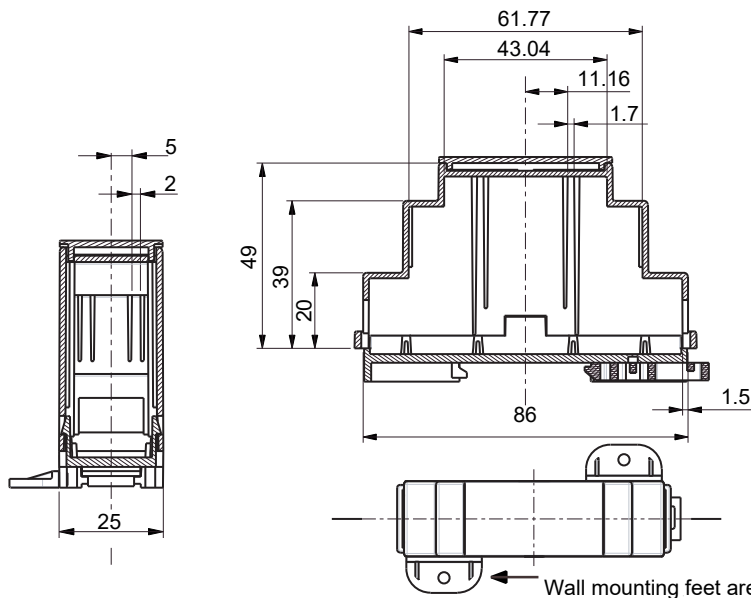
## SERIES 250



For fixed terminals

Closed for milling

Pluggable



Module enclosure for M36 DIN-rail. Series 250 is, if requested, available in several colours and with customer specified holes in the front. Lid, PCB, customized label and packing is available. Possibility for both base and top PCB. Trimmers and spindles that fit the height of the enclosure are available. Hinged lid and open front is also available.

### TECHNICAL DATA

#### TOP PART:

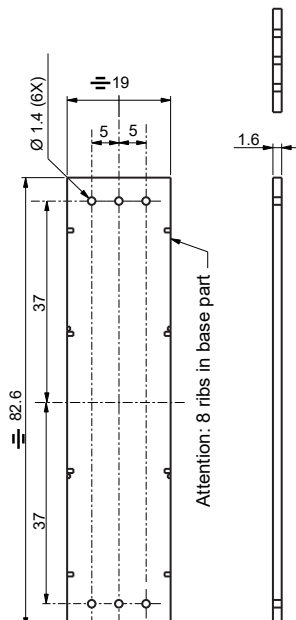
Material: Lexan 945  
 Colour: Grey (RAL 7035)  
 Max. temperature: 100° C  
 Width: 25 mm (1½ modules)  
 Label measure: 41.5 x 21.5 mm  
 Self-extinguishing: Acc. to UL94-V0  
 IP protection: IP 20

#### BASE PART:

Material: Noryl VO 1550  
 Colour: Black (RAL 7005)  
 Max. temperature: 100° C  
 Max. wire dia.: 2 x 2.5<sup>2</sup> mm  
 Max. load: 16A (for higher load please enquire)  
 Terminals: 8 fixed or pluggable  
 Mounting: DIN-rail (EN50022)  
 Self-extinguishing: Acc. to UL94-V0

For detailed drawings please see [www.bernic.dk](http://www.bernic.dk) or ask for a CAD drawing.

#### HORIZONTAL PCB DIMENSIONS:



TYPE 250	ORDER CODE:
Complete, 257 for pluggable 2x4 terminal	p/n 4969011251
Complete, 605 for fixed or screw-less terminals	p/n 4969011252
Complete, 605, ventilated	p/n 4969011254
Complete, closed, no terminals	p/n 4969011250
Complete, knock out	p/n 4969005251
Top part, grey, 257 for pluggable	p/n 4969005252
Top part, grey, 605 for fixed terminals version	p/n 4969005250
Top part, grey, closed, no terminals	p/n 4969009251
Base part with clip and 2 screws	p/n 0669000225
Terminal for 250, 257/4, HO/A, PCB part	p/n 1155704580
Terminal for 250, 256/4, wire part	p/n 1155604080
Terminal for 250, 605/4, fixed terminals	p/n 3950144108

Many more p/n available - please enquire.

- All measurements are in mm.
- Please note that most pluggable terminals are in 5,08 pitch and need a bigger hole in the PCB.