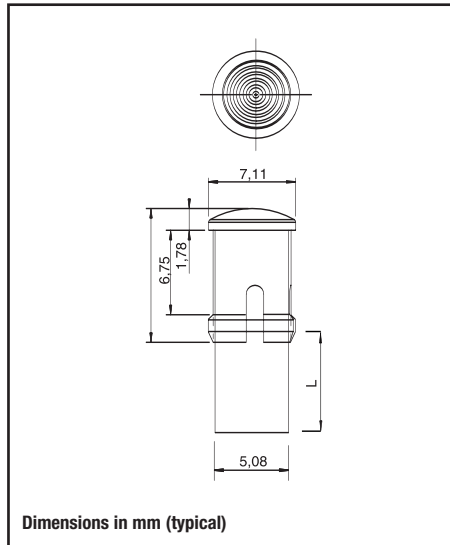




Material: PC Optics UL94 clear
Operating Temperature -60° +125°C
ESD Protection



KTR051 series

KTR051X (color of lens)/XXX (length)

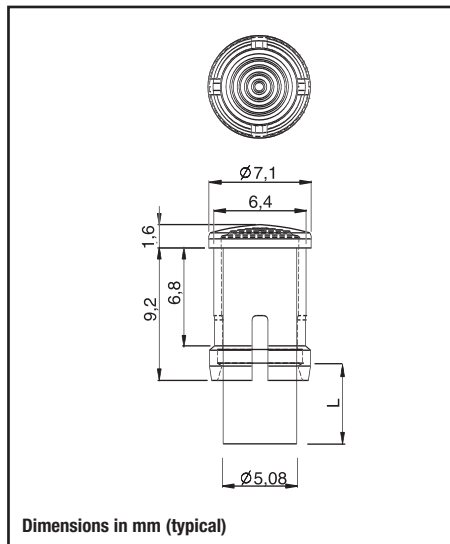
Code	Length (L)
KTR051X/010	1,01
KTR051X/060	6,09
KTR051X/111	11,17
KTR051X/162	16,25
KTR051X/213	21,33
KTR051X/264	26,41
KTR051X/XXX	Your length

Hole: 6,3 mm Panel: 0,8÷6,3 mm

Code	Color
KTR051A	Amber Transparent
KTR051B	Blue Transparent
KTR051C	Clear Transparent
KTR051G	Green Transparent
KTR051R	Red Transparent
KTR051Y	Yellow Transparent



Material: PC Optics UL94 clear
Operating Temperature -60° +125°C
ESD Protection



KTR058 series

KTR058C/XXX (length)

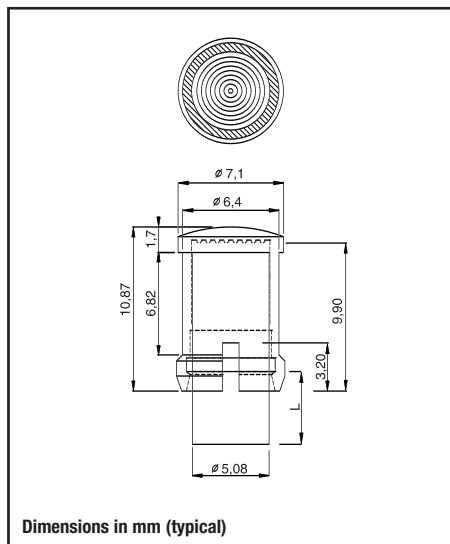
Code	Length (L)
KTR058C/010	1,01
KTR058C/060	6,09
KTR058C/111	11,17
KTR058C/162	16,25
KTR058C/213	21,33
KTR058C/264	26,41
KTR058C/XXX	Your length

Hole: 6,4 mm Panel: 0,8÷6,3 mm

Code	Color
KTR058C	Clear Transparent



Material: PC Optics UL94 clear
Operating Temperature -60° +125°C
ESD Protection



KTR059 series

KTR059C/XXX (length)

Code	Length (L)
KTR059C/010	1,01
KTR059C/060	6,09
KTR059C/111	11,17
KTR059C/162	16,25
KTR059C/213	21,33
KTR059C/264	26,41
KTR059C/XXX	Your length

Hole: 6,4 mm Panel: 0,8÷6,3 mm

Code	Color
KTR059C	Clear Transparent