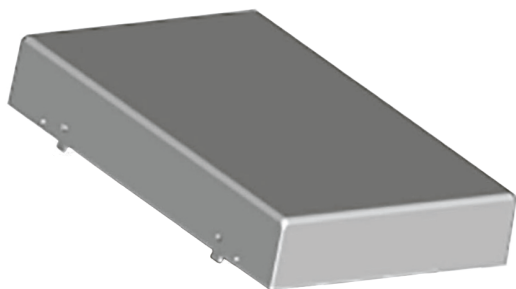


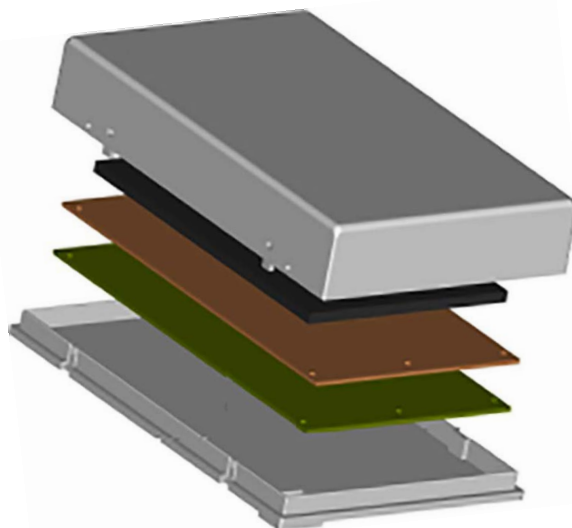
ENCLOSURE FOR WALL MOUNTING

SERIES
850



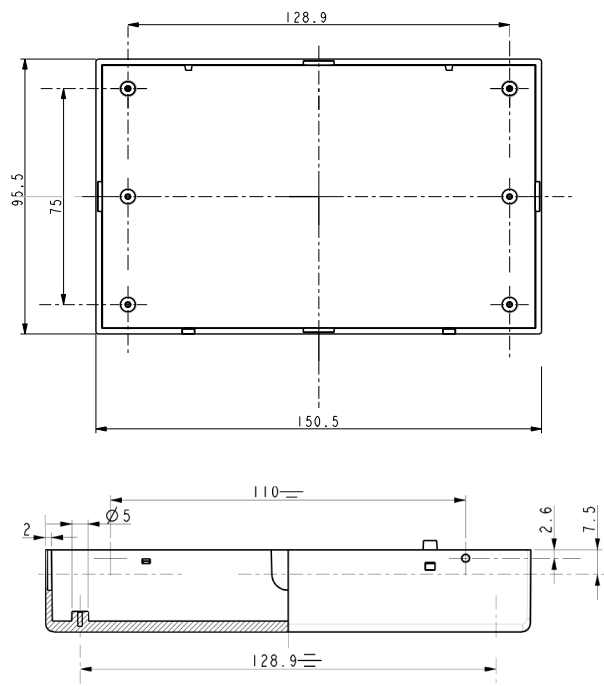
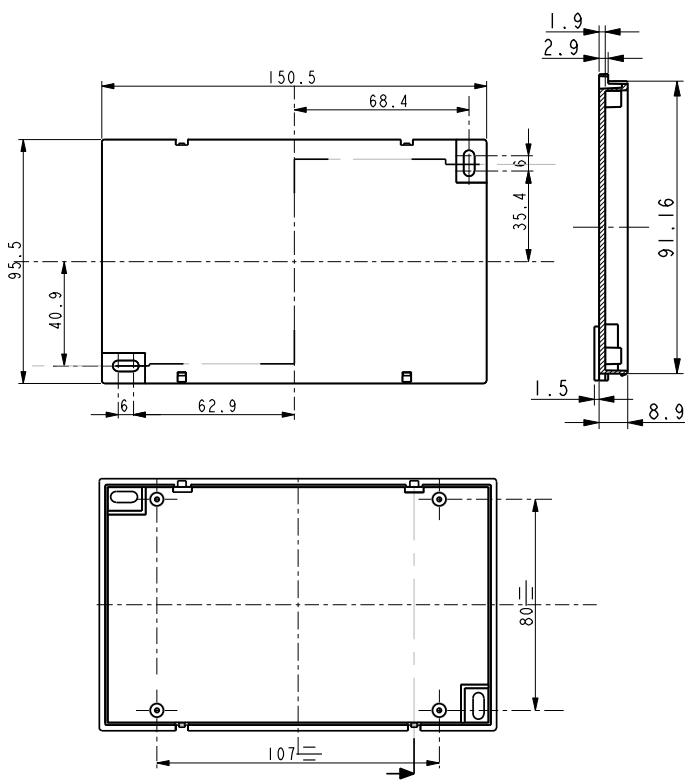
850 STANDARD VERSION (height 30mm)

Enclosure for wall mounting. Cutouts for display etc. is also available. Suitable for room controls etc. Possibility for 2 PCB's. PCB and packing are available. Standard colour is white, but other colours can be supplied upon request. Label in poly-carbonate available in customer specified colours. Base part available with four self-tapping screws to fix the PCB.



TECHNICAL DATA

Top part: Triloy 6212J
Base part: Triloy 6212J
Colour: White (RAL9016)
Temperature range: -30°C to +100°C
Self-extinguishing: Acc. to UL94-V0



Type 850:	ORDER CODE:
Type 850 complete	p/n 0669005885
Type 850 top part	p/n 0669005851
Base part f.self-tapping screws	p/n 0669005852

● All measurements are in mm.