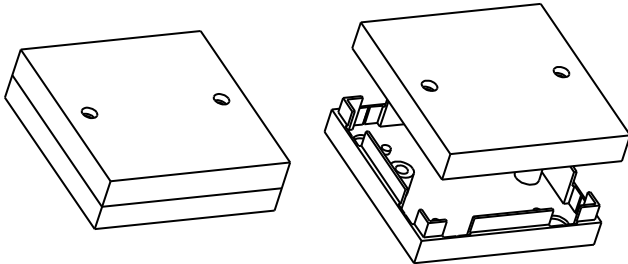
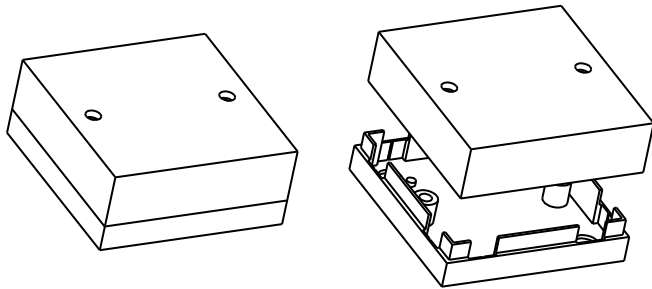


JUNCTION BOX FOR WALL MOUNTING

SERIES
B6565

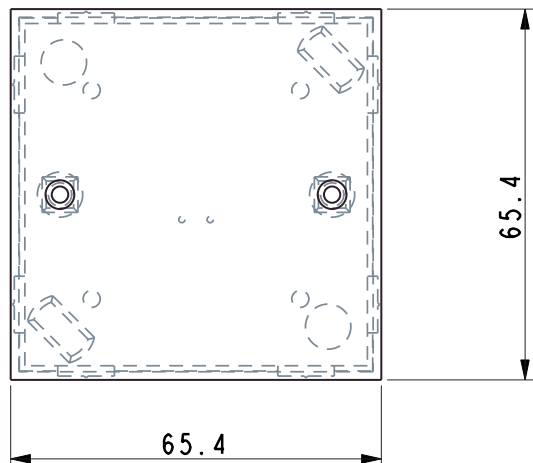
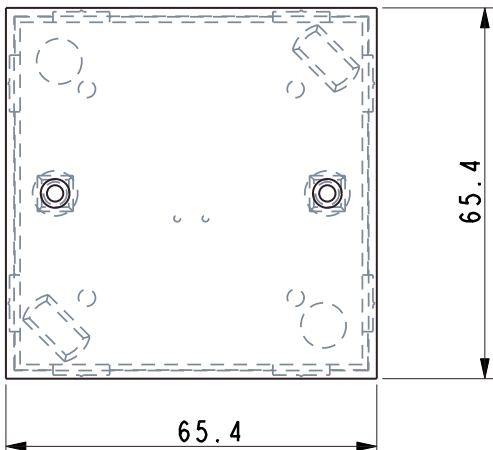
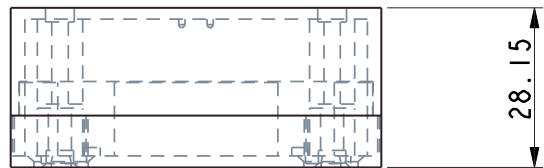
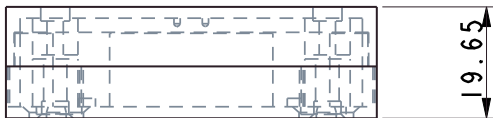
NEW DESIGN



Enclosure for wall mounting. Suitable for sensors, junction box, etc. Standard colour is white/white but other colours can be supplied upon request.

TECHNICAL DATA:

Top part: PC/ ABS
Base part: PC/ ABS
Colour: White
Temperature range: -30 - + 90 °C



TYPE B 656520	ORDER CODE:
Complete: Top+base+2 screws	p/n 4965652003
TYPE B 656528	ORDER CODE:
Complete: Top+base+2 screws	p/n 4965652803