

# Preset counters electronic

## 1 or 2 presets, impulses 12-260 VAC/VDC

### Display LCD, 6-digits, programmable

#### NE131



NE131 - LCD Preset counter

#### Features

- Preset counter with one or two presets
- Totalizer additional
- Display 6-digits
- Operating mode, scaling factor programmable
- Connection: Voltage pulses 12...260 VAC/VDC
- Parallel display of current value, preset and output circuit status
- Keylock input for keypad
- Programmable as a time counter

#### Technical data - electrical ratings

Voltage supply	10...30 VAC (50/60 Hz) 85...265 VAC (50/60 Hz) 10...30 VDC
Power consumption	1.5 VA, 2 W
Display	LCD, 7-segment display, 2-lines, backlit
Number of digits	6-digits
Digit height	7 mm (position value) 4 mm (preset)
Function	Preset counter
Scaling factor	0.0001...9999.99
Count mode	Adding or subtracting
Counting frequency	25 Hz (DC trigger: 1 kHz)
Presets	1 preset, 2 presets
Data memory	>10 years in EEPROM
Reset	Button, electric or automatic
Keylock	Yes, electric (keylock)
Outputs relay	Change-over contact, floating
Output holding time	0.01...99.99 s
Standard DIN EN 61010-1	Protection class II Overvoltage category II Pollution degree 2
Emitted interference	DIN EN 61000-6-3
Interference immunity	DIN EN 61000-6-2
Programmable parameters	Measuring units, sensor logic Decimal point Scaling factor Count mode
Approval	UL approval / E63076

#### Technical data - mechanical design

Ambient temperature	0...+50 °C
Storage temperature	-20...+70 °C
Relative humidity	80 % non-condensing
Connection	Plug-in screw terminal connector
Core cross-section	1.5 mm <sup>2</sup>
Protection DIN EN 60529	IP 65 (face with seal)
Operation / keypad	Membrane with softkeys
Housing type	Built-in housing
Dimensions W x H x L	48 x 48 x 100 mm
Mounting depth	108 mm
Mounting	Clip frame for built-in housing
Cutout dimensions	45 x 45 mm (+0.6)
Weight approx.	140 g
Materials	Housing: Makrolon 6485 (PC) Keypad: Polyester

# Preset counters electronic

## 1 or 2 presets, impulses 12-260 VAC/VDC

### Display LCD, 6-digits, programmable

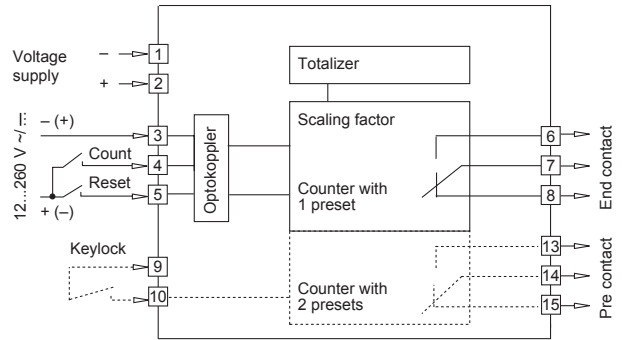
NE131

#### Part number

NE131.0       AX01

- Voltage supply
- 2 85...265 VAC
  - 3 10...30 VAC/VDC
- Preset
- 1 With one preset
  - 2 With two presets

#### Block circuit diagram



#### Accessories

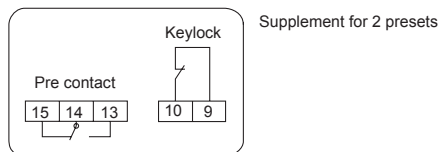
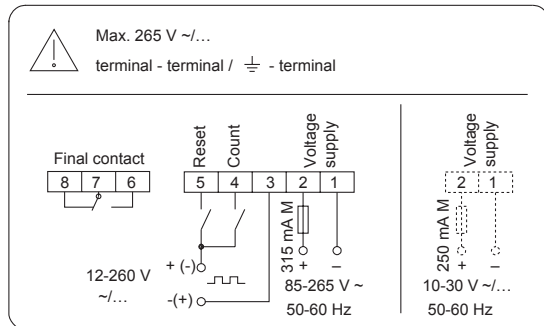
##### Adaptor plates

- Z 118.033 Adaptor plate for screw mount, face 60 x 75 mm
- Z 118.034 Adaptor plate for clip mount, face 53.2 x 53.2 mm
- Z 118.035 Adaptor plate for clip mount, face 60 x 75 mm

#### Trigger level

Optocoupler inputs	Input circuit
Input level Low	0...2 VAC / VDC
Input level High	12...260 VAC / VDC
Relay outputs	Output circuit
Switching voltage max.	250 VAC / 110 VDC
Switching current max.	1 A
Switching capacity max.	150 VA / 30 W
Relay responding time	5 ms

#### Connection diagram



#### Dimensions

