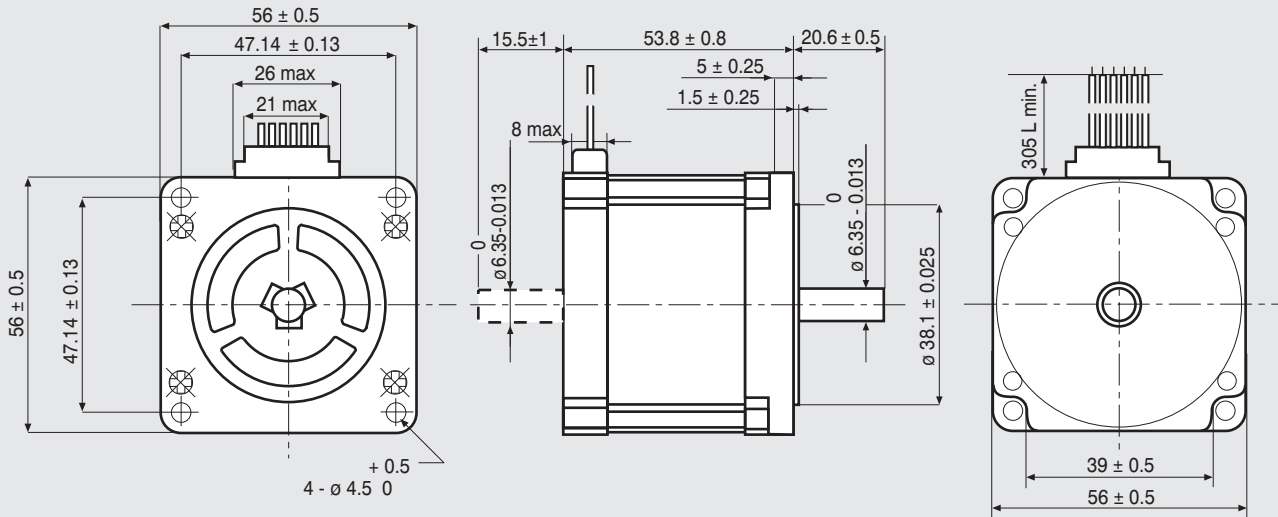


## Dimensions (Unit:mm)

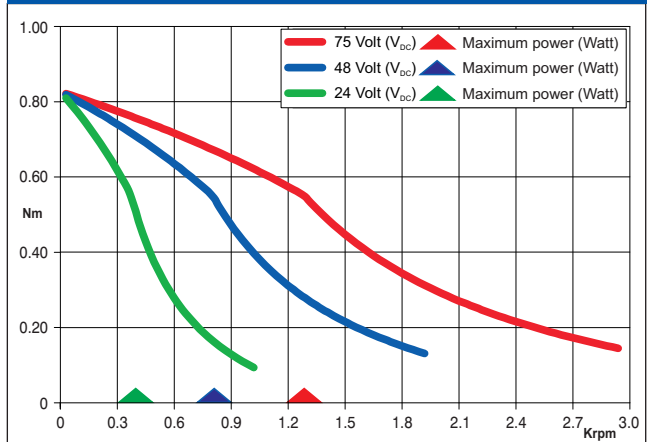


## FEATURES

MODEL	103-H7123-0740 (103-H7123-0710)	
BASIC STEP ANGLE	$1.8^\circ \pm 0.09^\circ$	
BIPOLAR CURRENT	(Amp)	2.2 <sup>(*)</sup>
UNIPOLAR CURRENT	(Amp)	3.0
RESISTANCE	(Ohm)	0.77
INDUCTANCE	(mH)	1.6
BIPOLAR HOLDING TORQUE	(Ncm)	110
UNIPOLAR HOLDING TORQUE	(Ncm)	85
ROTOR INERTIA	(Kg $m^2 \times 10^{-7}$ )	210
THEORETICAL ACCELERATION	(rad x sec. <sup>-2</sup> )	50000
BACK E.M.F.	(V/Krpm)	20
MASS	(Kg)	0.65
LEADS CODE	IV	

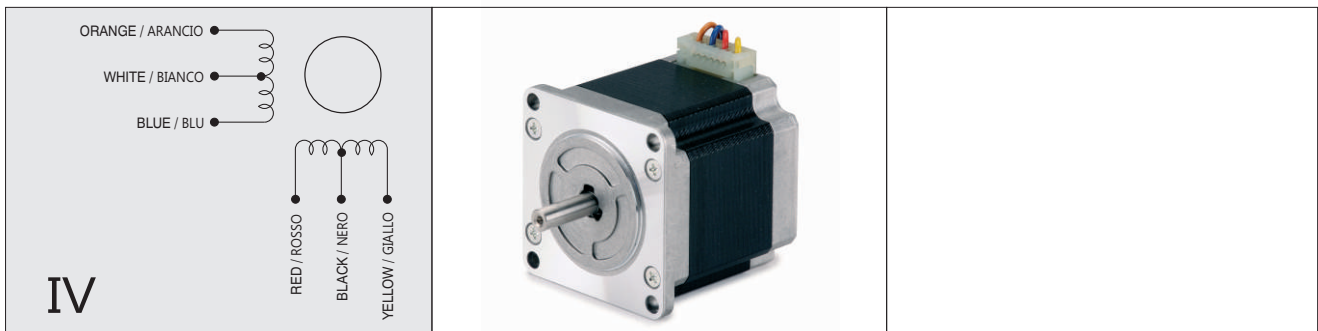
Codes between brackets refer to double shaft models.  
Le sigle fra parentesi si riferiscono ai modelli bialbero.

## TORQUE/SPEED CURVE



<sup>(\*)</sup> Bipolar series connection.  
<sup>(\*)</sup> Collegamento bipolare serie.

R.T.A. s.r.l. PAVIA (ITALY) SANYO DENKI CO., Ltd (JAPAN)



IV

EIMC - 10-14

Suggested R.T.A. driver: BSD Series, CSD/A-CSD Series, NDC/A-NDC Series, ADW Series, HGD Series.



R.T.A. s.r.l.  
Via E. Mattei - Fraz. Divisa  
27020 MARCIGNAGO (PV) ITALY  
Tel. +39.0382.929.855 - Fax +39.0382.929.150  
www.rta.it

R.T.A. Deutschland GmbH  
Bublitz Straße 34  
40599 DÜSSELDORF (Germany)  
Tel. +49.211.749.668.60 - Fax +49.211.749.668.66  
www.rta-deutschland.de

R.T.A. IBERICA-Motion Control Systems S.L.  
C/Generalitat 22, 1º 3º  
08850 GAVA - BARCELONA (Spain)  
Tel. +34.936.388.805 - Fax +34.936.334.595  
www.rta-iberica.es