

T IS THE EARTH TERMINAL.

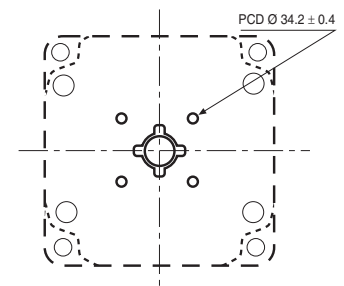
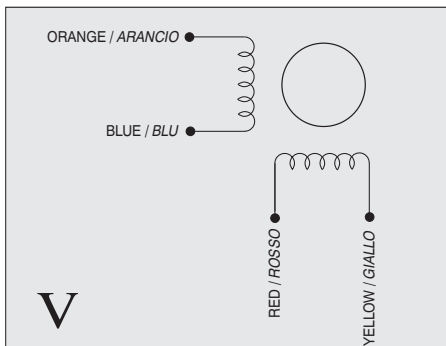
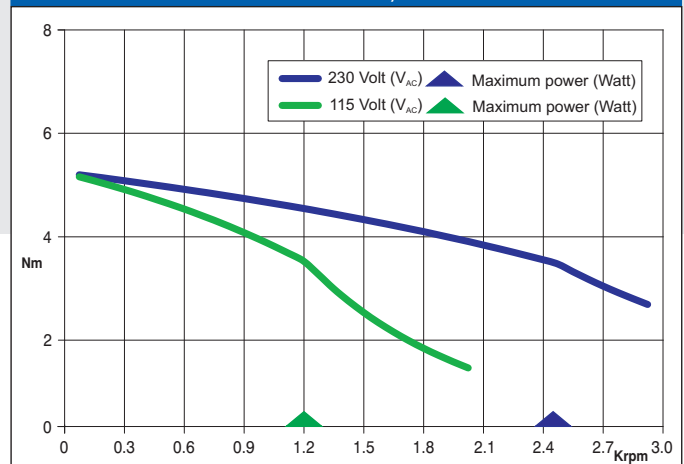
Dimensions in mm.

**FEATURES**  
**CARATTERISTICHE**

MODEL MODELLO	SM2862 - 5155 (SM2862 - 5125)	
BASIC STEP ANGLE	1.8° ± 0.09°	
BIPOLAR PARALLEL CURRENT	(Amp)	4
RESISTANCE	(Ohm)	0.83
INDUCTANCE	(mH)	6.4
BIPOLAR HOLDING TORQUE	(Ncm)	700
ROTOR INERTIA	(Kgm <sup>2</sup> x 10 <sup>-7</sup> )	3000
THEORETICAL ACCELERATION	(rad x sec. <sup>-2</sup> )	23300
BACK E.M.F.	(V/Krpm)	175
MASS	(Kg)	2.9
INTERNATIONAL STANDARDS	UL, CSA, CE, RoHS	
INSULATION VOLTAGE	(V)	250 V <sub>AC</sub> (350 V <sub>DC</sub> )
PROTECTION DEGREE - INSULATION CLASS	IP43 - F	
LEADS CODE	V	

Codes between brackets refer to double shaft models.  
Le sigle fra parentesi si riferiscono ai modelli bialbero.

**TORQUE/SPEED CURVE**  
**CURVA DI COPPIA/VELOCITÀ**



DOUBLE SHAFT MOTORS ONLY.  
4 X M4 THREADED HOLES. TAP DEPTH 4.5 mm.

R.T.A. s.r.l. PAVIA (ITALY) SANYO DENKI CO., Ltd (JAPAN)

EIMC-03-11

Suggested R.T.A. driver: X-PLUS B Series, X-MIND Series.



R.T.A. s.r.l.  
Via E. Mattei - Fraz. Divisa  
27020 MARCIGNAGO (PV) ITALY  
Tel. +39.0382.929.855 - Fax +39.0382.929.150  
www.rta.it

R.T.A. Deutschland GmbH  
Bublitzer Straße 34  
40599 DÜSSELDORF (Germany)  
Tel. +49.211.749.668.60 - Fax +49.211.749.668.66  
www.rta-deutschland.de

R.T.A. IBERICA-Motion Control Systems S.L.  
C/Generalitat 22, 1° 3°  
08850 GAVA - BARCELONA (Spain)  
Tel. +34.936.388.805 - Fax +34.936.334.595  
www.rta-iberica.es