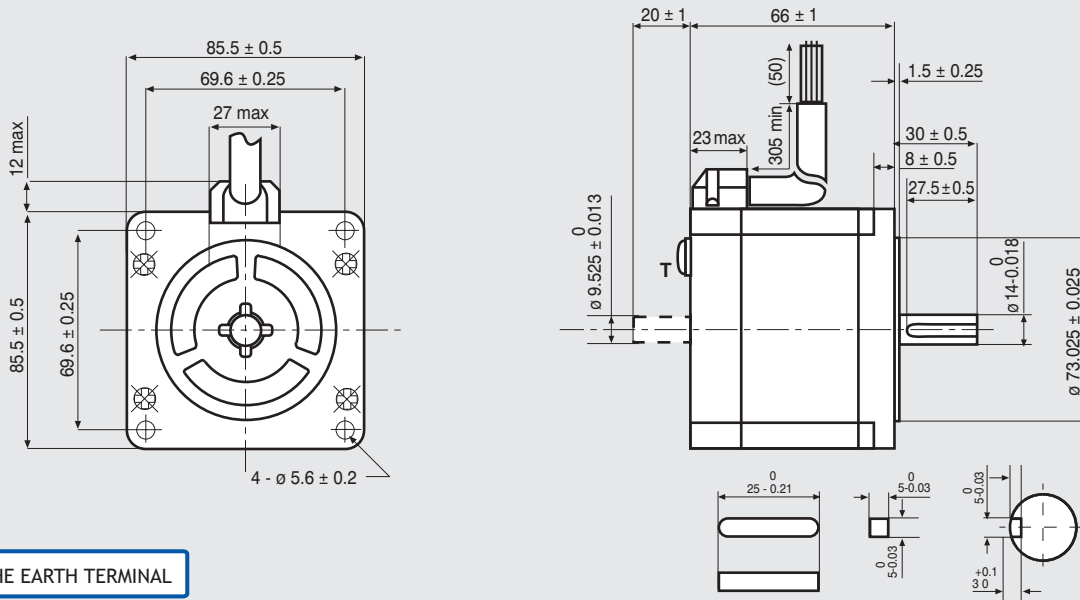


Dimensions (Unit:mm)



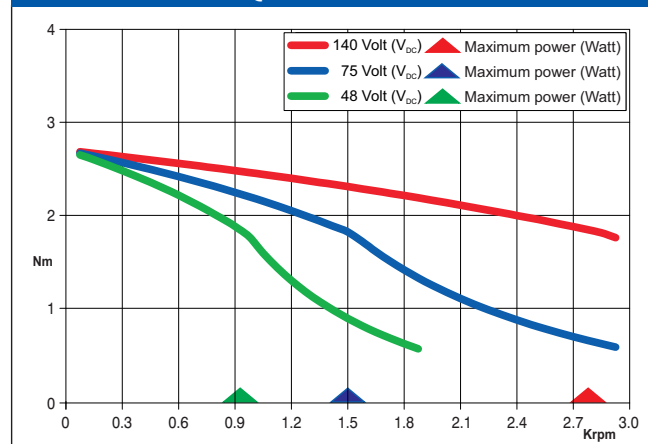
T IS THE EARTH TERMINAL

FEATURES

MODEL	SM 2861-5255 (SM 2861-5225)	
BASIC STEP ANGLE	1.8° ± 0.09°	
BIPOLAR CURRENT	(Amp)	6.0
RESISTANCE	(Ohm)	0.29
INDUCTANCE	(mH)	1.7
BIPOLAR HOLDING TORQUE	(Ncm)	360
ROTOR INERTIA	(Kgm ² × 10 ⁻⁷)	1480
THEORETICAL ACCELERATION	(rad × sec. ⁻²)	24300
BACK E.M.F.	(V/Krpm)	60
MASS	(Kg)	1.7
INTERNATIONAL STANDARDS	UL, CSA	
INSULATION VOLTAGE	(V)	250 V _{AC} (350 V _{DC})
PROTECTION DEGREE	IP43-F	
LEADS CODE	V	

Codes between brackets refer to double shaft models.
Le sigle fra parentesi si riferiscono ai modelli bialbero.

TORQUE/SPEED CURVE



R.T.A. s.r.l. PAVIA (ITALY) SANYO DENKI CO., Ltd (JAPAN)

ORANGE / ARANCIO

BLUE / BLU

RED / ROSSO

YELLOW / GIALLO

V

EMC

PCD Ø 34.2 ± 0.4

DOUBLE SHAFT MOTORS ONLY.
4 X M4 THREADED HOLES. TAP DEPTH 4.5 mm.

EMC - 10 - 14

Suggested R.T.A. driver: NDC/A-NDC Series, ADW Series, HGD Series, PLUS Series.



R.T.A. s.r.l.
Via E. Mattei - Fraz. Divisa
27020 MARCIGNAGO (PV) ITALY
Tel. +39.0382.929.855 - Fax +39.0382.929.150
www.rta.it

R.T.A. Deutschland GmbH
Bublitz Straße 34
40599 DÜSSELDORF (Germany)
Tel. +49.211.749.668.60 - Fax +49.211.749.668.60
www.rta-deutschland.de

R.T.A. IBERICA-Motion Control Systems S.L.
C/Generalitat 22, 1° 3°
08850 GAVA - BARCELONA (Spain)
Tel. +34.936.388.805 - Fax +34.936.334.595
www.rta-iberica.es