

NEMA line Outlet 5-15R, Snap-in Mounting, Front Side, IDC- or Quick-connect Terminal



Snap-In Version



Description

- Panel Mount:
Snap-in, Front Side
- 1 Function:
Line Outlet Protection class I
- Quick connect terminals or wires

Approvals

- UL File Number: E103791
- CSA File Number: 73165

Characteristics

- Designed for standard applications

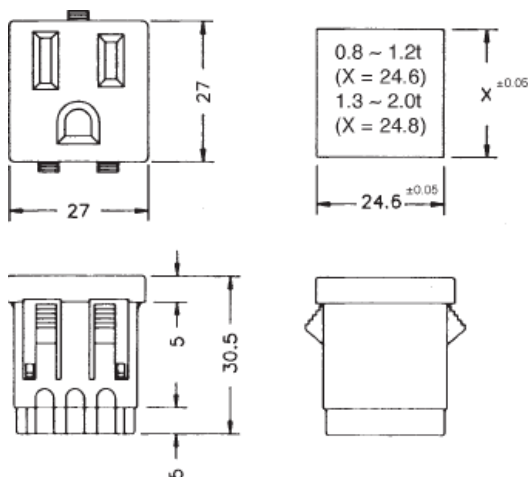
Weblinks

[pdf-datasheet](#), [html-datasheet](#), [General Product Information](#), [RoHS](#), [CHINA-RoHS](#), [REACH](#), [Distributor-Stock-Check](#), [Accessories](#), [Detailed request for product](#)

Technical Data

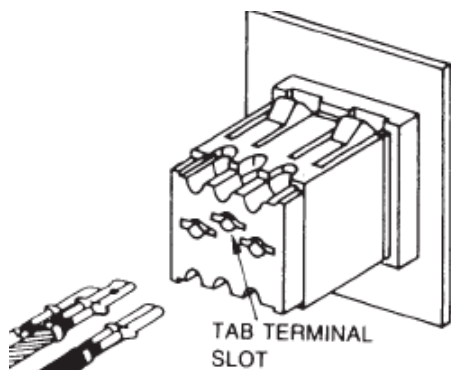
Ratings UL/CSA	15 A / 125 VAC; 60 Hz
Dielectric Strength	> 2 kVAC between L-N > 2 kVAC between L/N-PE (1 min/50Hz)
Allowable Operation Temp.	-25 °C to 65 °C
Degree of Protection	from front side IP 20 acc. to IEC 60529
Protection Class	Suitable for appliances with protection class I acc. to IEC 61140
Terminal	Quick-Connect or Wire (solid)
Panel Thickness s	Snap-in 0.8 mm to 2 mm
Material: Housing	Thermoplastic, black, UL 94V-0

Dimensions

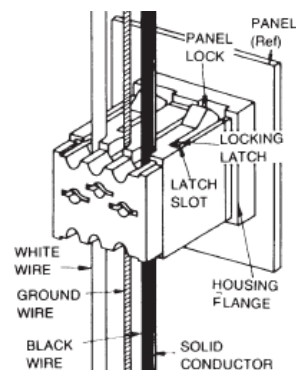


Panel thickness	X
0.8 - 1.2 mm	24.6 mm
1.3 - 2.0 mm	24.8 mm

Assembly Instructions



Quick connect mounting (5.2mm x 0.5mm)



Solid Wire connection (12-14AWG)

All Variants

Type	Protection Class	Panel mounting	Panel Thickness s [mm]	Terminal	Order Number
0710	I	Snap-in	0.8 -2	Quick connect terminals or wires	4300.0703

Most Popular.

Availability for all products can be searched real-time: <http://www.schurter.com/Stock-Check/Stock-Check-SCHURTER>

Packaging unit 120 Pcs

Mating Inlets/Plugs

Category / Description

[Power Supply Cord Overview complete](#)



Cord Sets 16 A, Europlug, 2.5 m, Connector IEC C19, cord end:	6004.0395
Cord Sets 16 A, North America, 2.5 m, Connector IEC C19, cord end:	6009.5195
Cord Sets 10 A, North America, 2.5 m, Connector IEC C13, cord end:	6009.1315
Cord Sets 10 A, Japan, 2.0 m, Connector IEC C13, cord end:	6047.6414

[Power Supply Cord further types to 0710](#)