

AC Filter for PCB Mounting Cost Optimized

Standard- or Medical-Filter



### Description

- Line filter in standard and medical version
- 1-stage
- standard attenuation

### Approvals

- VDE Certificate Number: 40004673
- UL File Number: E72928

### Characteristics

- Cost-saving plastic housing
- Designed for standard applications
- Protection against interference voltage from the mains
- Possible interferences generated in the equipment are strongly attenuated
- For standard applications
- Suitable for use in equipment according to IEC/UL 60950

### Other versions on request

- Version with wire connection
- Medical version M80

### References

Alternative: Standard version

### Weblinks

[pdf-datasheet](#), [html-datasheet](#), [General Product Information](#), [Approvals](#), [CE declaration of conformity](#), [RoHS](#), [CHINA-RoHS](#), [REACH](#), [Distributor-Stock-Check](#), [Detailed request for product](#)

### Technical Data

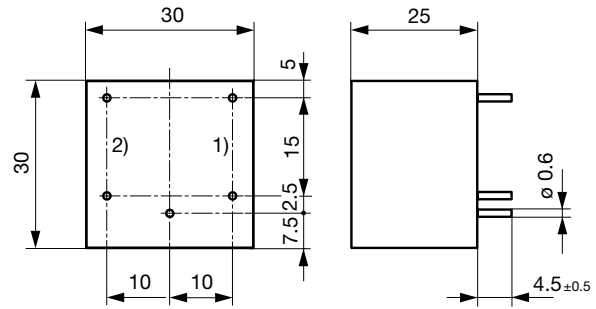
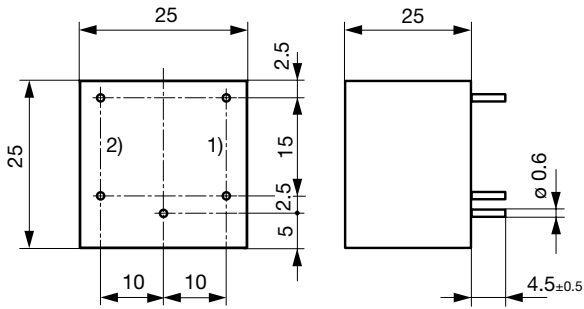
Ratings IEC	0.6 - 6 A @ Ta 40 °C / 250VAC; 50 Hz
Ratings UL/CSA	0.6 - 6 A @ Ta 40 °C / 125VAC; 60 Hz
Leakage Current	standard < 0.25 mA (250 V / 60 Hz) medical < 5 µA (250 V / 60 Hz)
Dielectric Strength	> 1.7 kVDC between L-N > 2.7 kVDC between L/N-PE Test voltage (2 sec)
Allowable Operation Temp.	-25 °C to 85 °C
Climatic Category	25/085/21 acc. to IEC 60068-1
Protection Class	Suitable for appliances with protection class I acc. to IEC 61140
Terminal	For PCB mounting, tin-plated
Material: Housing	Thermoplastic, black, UL 94V-0

Line Filter	Standard and Medical Version, IEC 60939, UL 1283, CSA C22.2 no. 8 <a href="#">Technical Details</a>
MTBF	> 200'000h acc. to MIL-HB-217 F

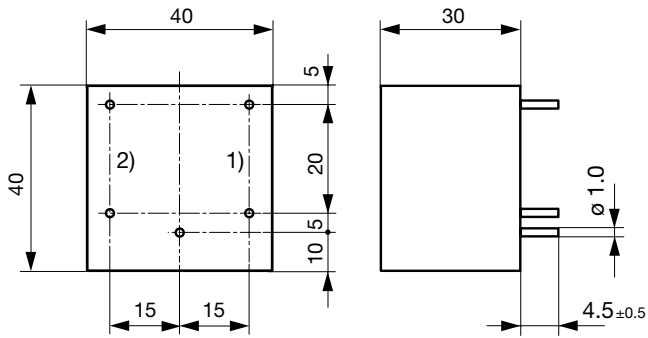
**Dimension**

Case 13P

Case 18P



Case 24P

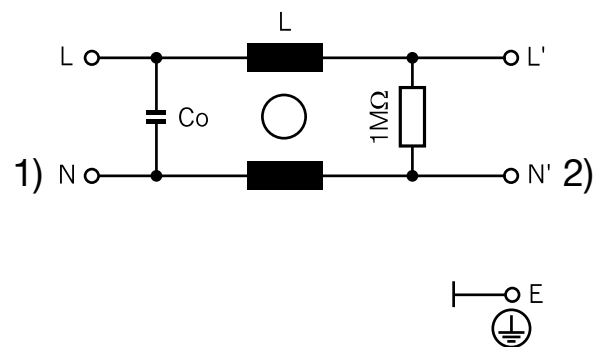
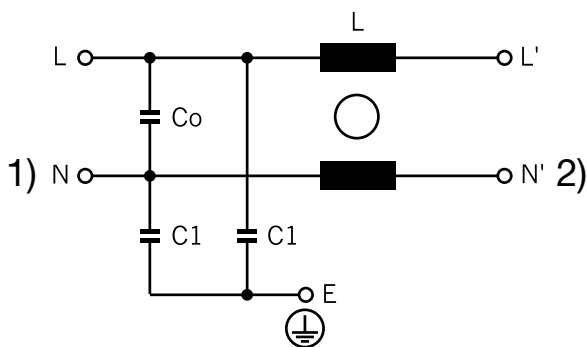


- 1) Line
- 2) Load

**Diagrams**

S1 standard version

S2 medical version



- 1) Line
- 2) Load

- 1) Line
- 2) Load



## All Variants

Rated Current [A]	Filter-Type	L [mH]	Co / C2 (X2) [µF]	C1 (Y2) [nF]	Diagram	Weight [g]	Housings	Order Number
0.6	Standard Version	2 x 40	0.015	2.2	S1	27 g	13P	5500.2000
1	Standard Version	2 x 10	0.015	2.2	S1	27 g	13P	5500.2001
2	Standard Version	2 x 4	0.015	2.2	S1	27 g	13P	5500.2002
4	Standard Version	2 x 1.5	0.015	2.2	S1	27 g	13P	5500.2003
6	Standard Version	2 x 0.8	0.015	2.2	S1	35 g	13P	5500.2004
0.7	Standard Version	2 x 40	0.015	2.2	S1	32 g	18P	5500.2005
1	Standard Version	2 x 20	0.022	2.2	S1	32 g	18P	5500.2006
2	Standard Version	2 x 6	0.022	2.2	S1	32 g	18P	5500.2007
3	Standard Version	2 x 3	0.022	2.2	S1	32 g	18P	5500.2008
1	Standard Version	2 x 30	0.047	2.2	S1	78 g	24P	5500.2009
3	Standard Version	2 x 4	0.047	2.2	S1	78 g	24P	5500.2010
0.6	Medical Version (M5)	2 x 40	0.015	-	S2	35 g	13P	5500.2116
1	Medical Version (M5)	2 x 10	0.015	-	S2	35 g	13P	5500.2117
2	Medical Version (M5)	2 x 4	0.015	-	S2	25.5 g	13P	5500.2118
4	Medical Version (M5)	2 x 1.5	0.015	-	S2	35 g	13P	5500.2119
6	Medical Version (M5)	2 x 0.8	0.015	-	S2	35 g	13P	5500.2120
0.7	Medical Version (M5)	2 x 40	0.015	-	S2	45 g	18P	5500.2121
1	Medical Version (M5)	2 x 20	0.022	-	S2	45 g	18P	5500.2122
2	Medical Version (M5)	2 x 6	0.022	-	S2	45 g	18P	5500.2123
3	Medical Version (M5)	2 x 3	0.022	-	S2	45 g	18P	5500.2124
1	Medical Version (M5)	2 x 30	0.047	-	S2	78 g	24P	5500.2125
3	Medical Version (M5)	2 x 4	0.047	-	S2	78 g	24P	5500.2126

Most Popular:

Availability for all products can be searched real-time: <http://www.schurter.com/Stock-Check/Stock-Check-SCHURTER>

Packaging unit 50 Pcs