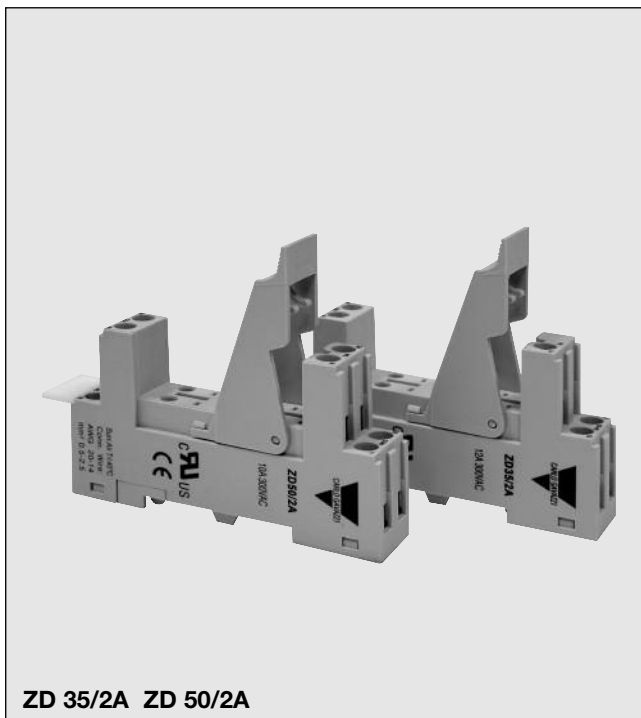
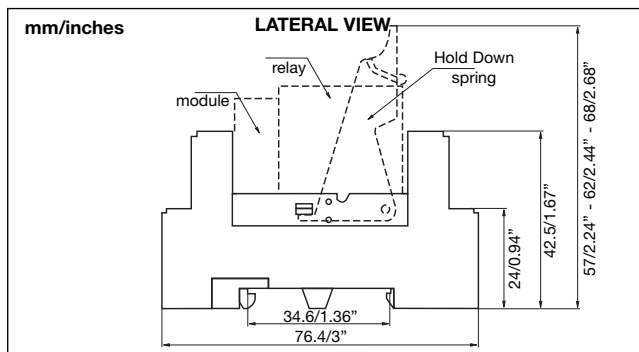
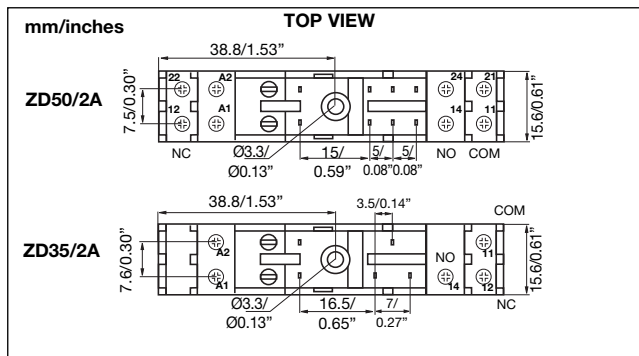


## Sockets for Miniature Relays

### ZD 35/2A ZD 50/2A



ZD 35/2A ZD 50/2A



## General data

Plastic Material	PA66 +GF - V2
Contact Material	Cu Ni
Contact surface	5µm tin plated
Terminals	8µm zinc plated steel
Terminal type	Screw cage
Screws	5µm nickel plated 8.8 steel
Screw type	M3 with combi head (slotted, Philips Gr.1, Pozi)
Ratings @ 300VAC	12A (ZD 35/2A) 10A x 2 (ZD 50/2A)
UL Rating 300VAC	12A (ZD 35/2A) 10A x 2 (ZD 50/2A)

Operating temp.	-25° to +85°C (-13° to +185°F)
Standard colour	RAL 7035 / Pantone Grey 1C
Insulation voltage	4000V
Between Coil and Contacts	2500V
Between Contacts	
Creepage and Clearance	Gr.C250, VDE 0110b / 2.79
Maximum Screw torque	1N/m
Max Wire section	0.5-2.5mm <sup>2</sup> (20AWG-14AWG)
Flex / compact wire	2 x 1.5mm <sup>2</sup> (16AWG)
Cable End	
Terminal Protection degree	IP 20 (EN60529)

Note:  
Hold down spring not included, remember to order proper one.

Relay Type	Socket P.N.	Hold Down Spring
MZ 100/001 16A MZ 200/002	ZD 50/2A	SZD 25
MZ 100/001 5/10A	ZD 35/2A	SZD 25

## Approvals



Box content: 20 sockets, 20 labels  
Box size: (W 185 x D 160 x H 50) Weight: ~800g  
(W 7.28 x D 6.30 x H 1.97) inches Weight: ~28.2oz

## Optional Accessories (to be ordered separately if required)

Labels	6.73.00.61.2
Bridging bar	ZD-BB
Modules	
Hold Down Springs	