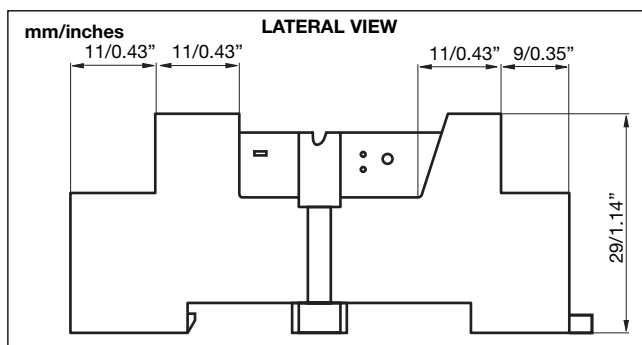
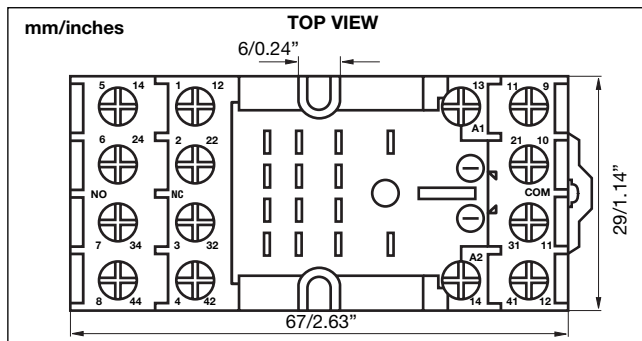
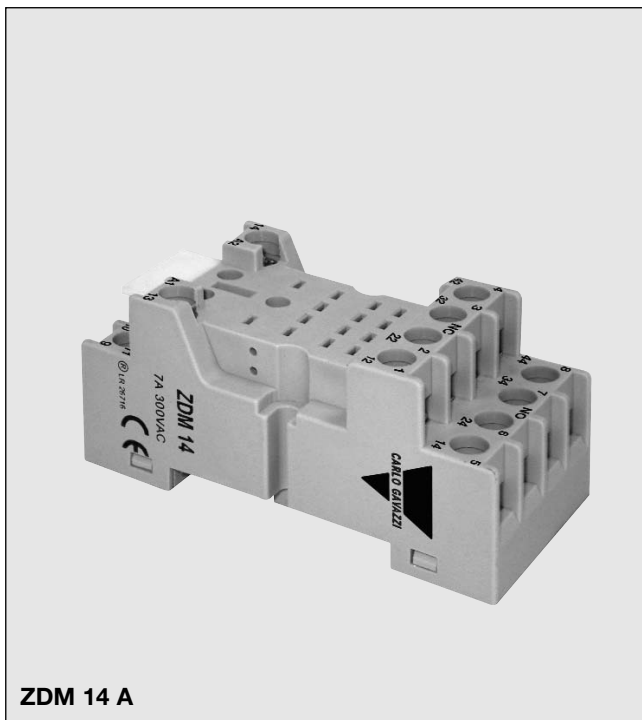


Sockets for RMI Relays

ZDM 14 A



General data

Socket material	PA66 + GF (V0)
Socket colour	RAL 7035 / Pantone 1C
Contact material	CuSn
Contact surface	6µm nickel plated
Terminal type	Screw cage
Screws	5µm nickel plated 8.8 steel
Screw type	M3 with combi head (slotted, Philips Gr.1, Pozi)
Ratings @ 300VAC	10A

Operating temp.	-25° to +85°C (-13° to +185°F)
Insulation voltage	>3kV
Separation between contacts and contact coil	VDE0106/101
Maximum screw torque	0.8N/m
Max Wire section	
Flex / compact wire	2 x 1.5mm ² (16AWG)
Cable End	2 x 1.5mm ² (16AWG)
Terminal Protection degree	IP 20B (EN60529)

Approvals



Ordering code 4 contacts version for RMI A 2 10 / 4 5 with metal hold down spring:

ZDM 14 A

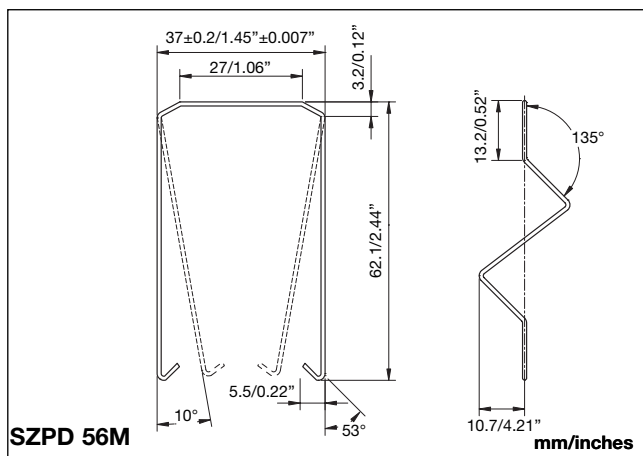
Box content: 10 sockets, 10 labels, 10 Hold down springs
 Box size: (W 73 x D 66 x H 150) mm Weight: 560g
 (W 2.87 x D 2.60 x H 5.91) inches Weight: 19.75oz

Optional Accessories (to be ordered separately if required)

Metal hold down Spring	SZMI36M
Labels	6.73.00.61.3
Modules	

Optional Springs for ZPD series

SZPD 56M



General data

Spring material

Stainless steel

Packaging

Box content:

1 plastic bag, 10pcs.

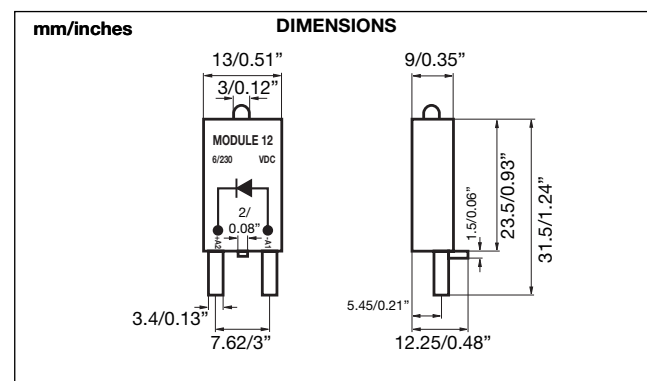
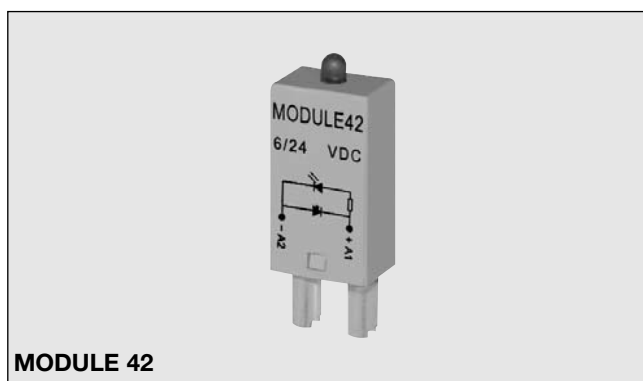
Weight:

~10g (0.36oz)



Optional Function Modules

Modules for ZMI and ZD sockets



Approvals



European low-voltage
directive compliant



General data

Module material

PA66+GF (V0)

Module colour

RAL 7035 / Pantone 1C

Packaging

Box content:

1 bag, 100pcs.

Box size: W 160 x D 70 x H 80 mm Weight: ~350g

(W 6.30 x D 2.75 x H 3.15) inches Weight: ~12.3oz