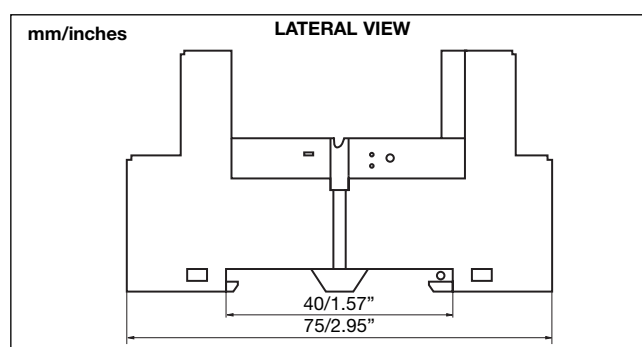
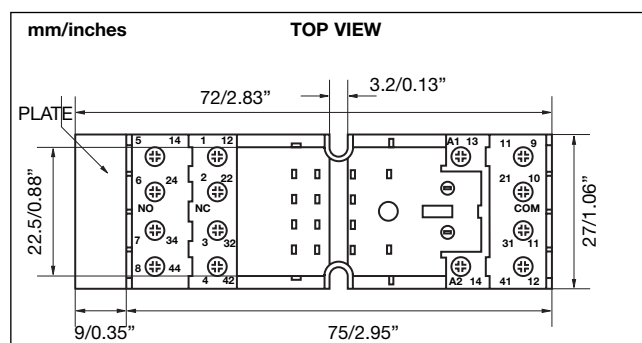


Sockets for RMI Relays

ZMI 2NA - ZMI 4NA



General data

Socket Material	PA66 +GF - V2
Socket colour	RAL 7035 / Pantone 1C
Contact Material	Cu Ni
Contact surface	5µm tin plated
Terminals	8µm zinc plated steel
Terminal type	Screw cage
Screws	5µm nickel plated 8.8 steel
Screw type	M3 with combi head (slotted, Philips Gr.1, Pozi)

Ratings	10A 300VAC
UL Rating	10A x 2 or 5A x 4 @ 300VAC
Operating temp.	-25° to +70°C (-13° to +158°F)
Insulation voltage	>4kV
Creepage and Clearance	Gr.C250, VDE 0110b / 2.79
Maximum Screw torque	1.0N/m
Max Wire section	
Flex / compact wire	2 x 2.5mm ² (14AWG)
Cable End	2 x 1.5mm ² (16AWG)
Terminal Protection degree	IP 20 (EN60529)

Approvals



Ordering code 2 contacts version for RMI A 2 10 xxx with Plastic hold down spring :
 Ordering code 4 contacts version for RMI A 4 5 xxx with Plastic hold down spring :
 Ordering code 2 contacts version for RMI A 2 10 xxx with Metal hold down spring :
 Ordering code 4 contacts version for RMI A 4 5 xxx with Metal hold down spring :

ZMI2NA / ZMI4NA
 ZMI4NA
 ZMI2NA-M / ZMI4NA-M
 ZMI4NA-M

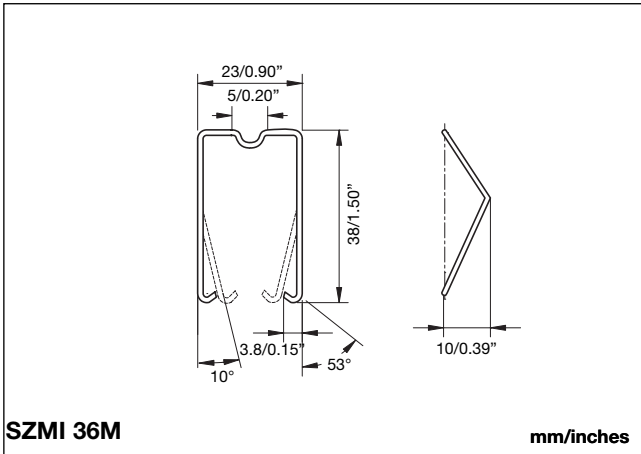
Box content: 10 sockets, 10 labels, 10 Plastic hold down springs
 Box size: (W 155 x D 165 x H 70) mm Weight: 750g
 (W 6.10 x D 6.50 x H 2.75) inches Weight: 26.45oz

Optional Accessories (to be ordered separately if required)

Metal spare hold down Spring	SZMI36M	Labels	6.73.00.61.3
Plastic spare hold down Spring	SZMI35	Bridging bar	ZMI-BB
Plastic spare hold down Spring	6.73.00.61.4	Modules	

Optional Springs for ZMI series, ZR08 and ZDM14A

SZMI 36M



General data

Spring material

Stainless steel

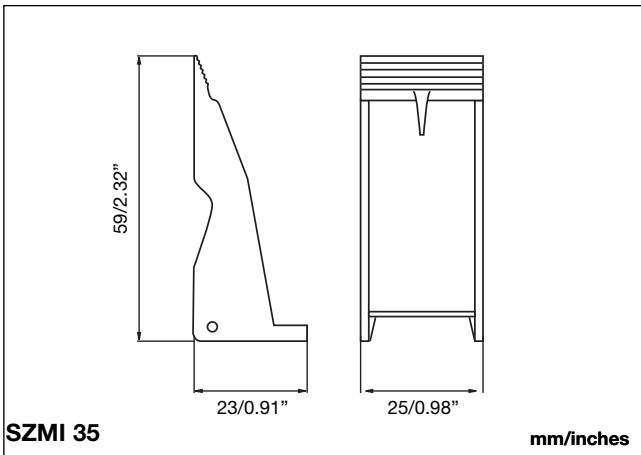
Packaging

Box content: 1 plastic bag, 10pcs.

Weight: ~5g (0.18oz)



SZMI 35



General data

Spring material

PA66 + GF (V0)

Spring colour

RAL 7035 / Pantone 1C

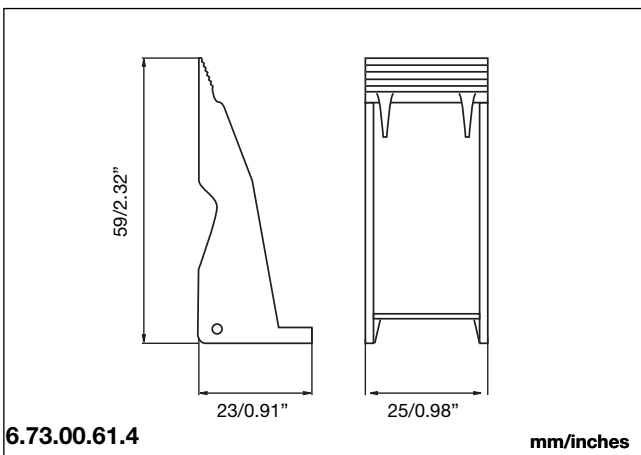
Packaging

Box content: 1 plastic bag, 10pcs.

Weight: ~20g (0.70oz)



6.73.00.61.4



General data

Spring material

PA6 + GF (V2)

Spring colour

RAL 7035 / Pantone 1C

Packaging

Box content: 1 plastic bag, 10pcs.

Weight: ~20g (0.70oz)

