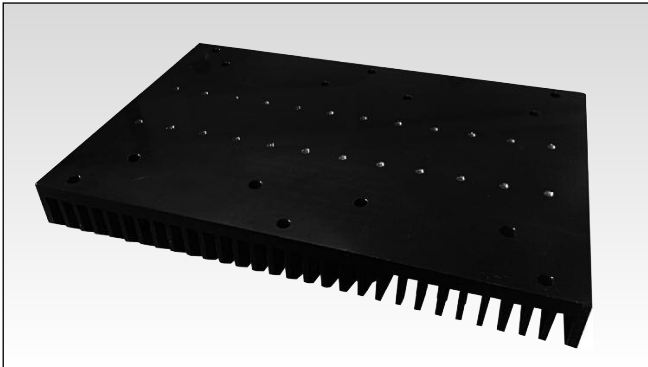


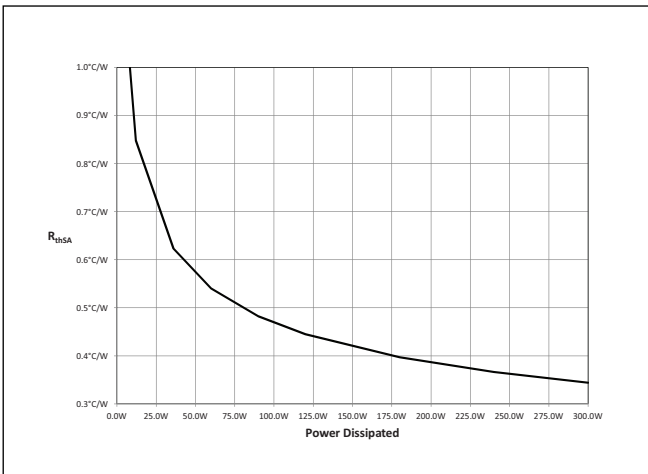
Solid State Relays Accessories, Heatsinks Type RHS30040D

CARLO GAVAZZI



- 0.4 °C/W thermal resistance
- Suitable for mounting of 1-phase SSRs
- Thru wall mounting
- Dimensions W x H x D: 300 x 200 x 40 mm
- RoHS compliant

Thermal Resistance Curve



Ordering Key

RHS30040D

Product Description

Heatsink assembly suitable for mounting of a multiple no. of 1-phase SSRs.

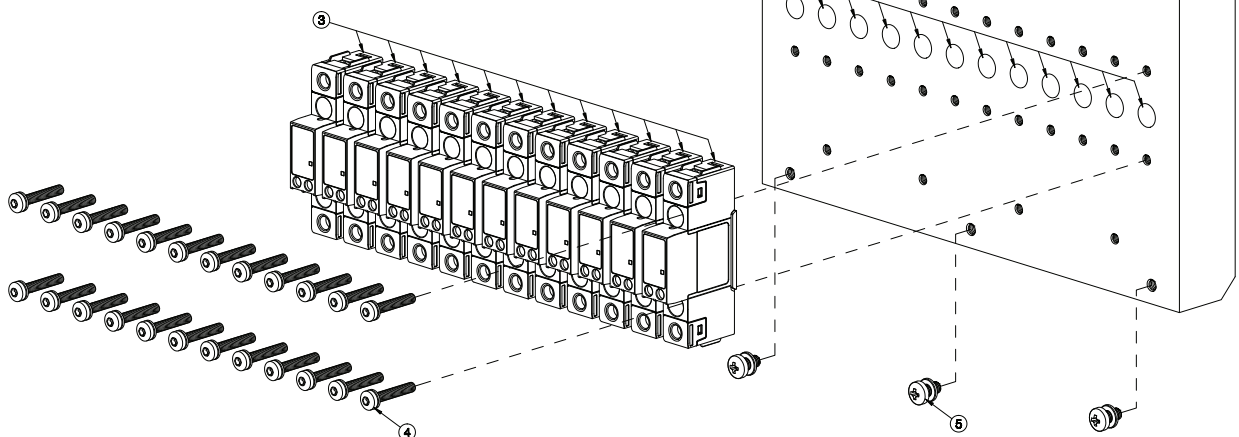
Suffix H57 added to SSR part no. refers to factory mounted heatsink. Conditions apply. Please ask your Sales representative for further details.

Heatsink Assembly

Components for assembly	Qty	RHS30040D
1 RHS30040D Heatsink Assembly	1	Provided
2 Thermal Compound or Pad	1	Not Provided
3 RGS1 SSR 18x90mm (max.)	12	Not Provided
4 M5x30mm Torx T20 + Washer (per SSR)	2	Not Provided
5 Thru Wall Panel Mounting Screws M6	6	Not Provided

Dimensions including SSR

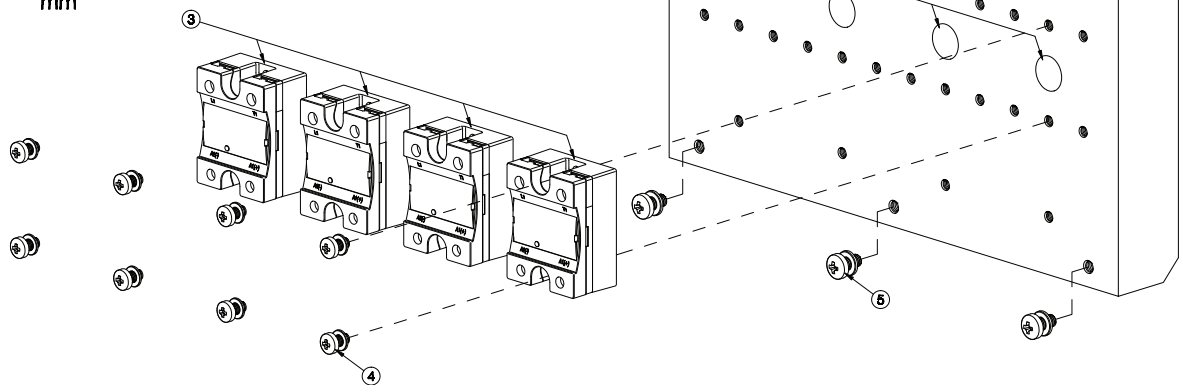
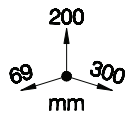
200
91 300
mm



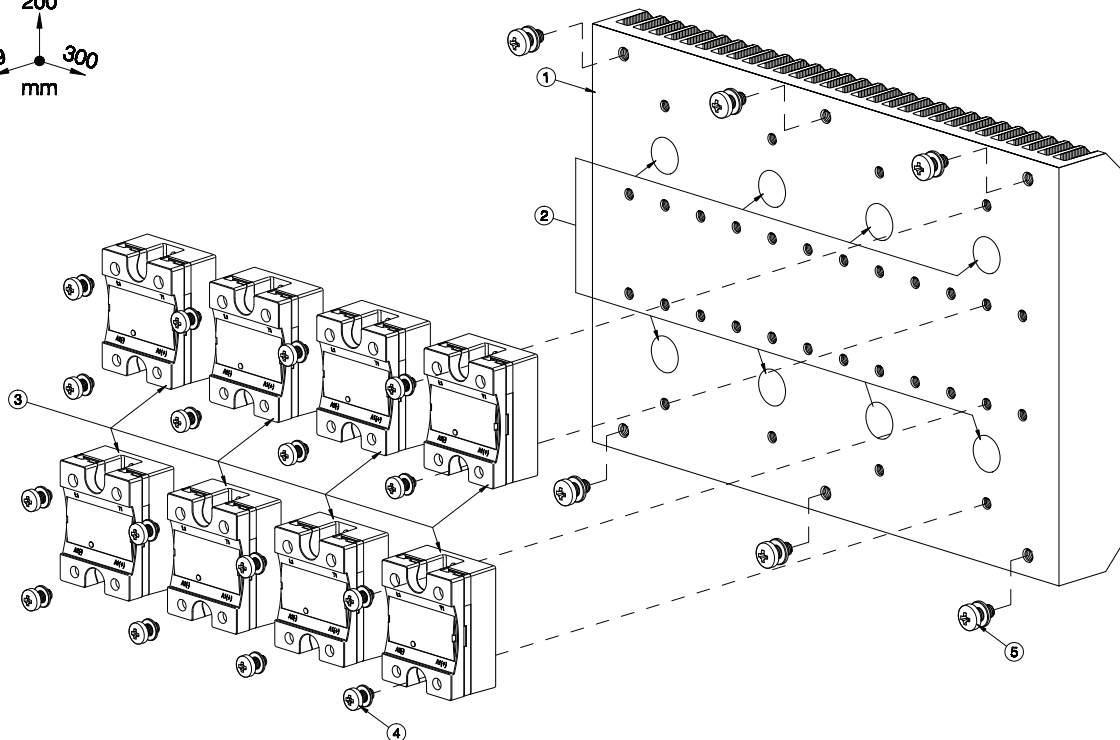
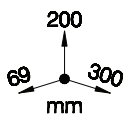
Heatsink Assembly

Components for assembly		Qty	RHS30040D
1	RHS30040D Heatsink Assembly	1	Provided
2	Thermal Compound or Pad	1	Not Provided
3	1-phase SSR 45x59mm (max.)	8	Not Provided
4	M5x10mm PZ2 + Washer (per SSR)	2	Not Provided
5	Thru Wall Panel Mounting Screws M6	6	Not Provided

Dimensions including SSR



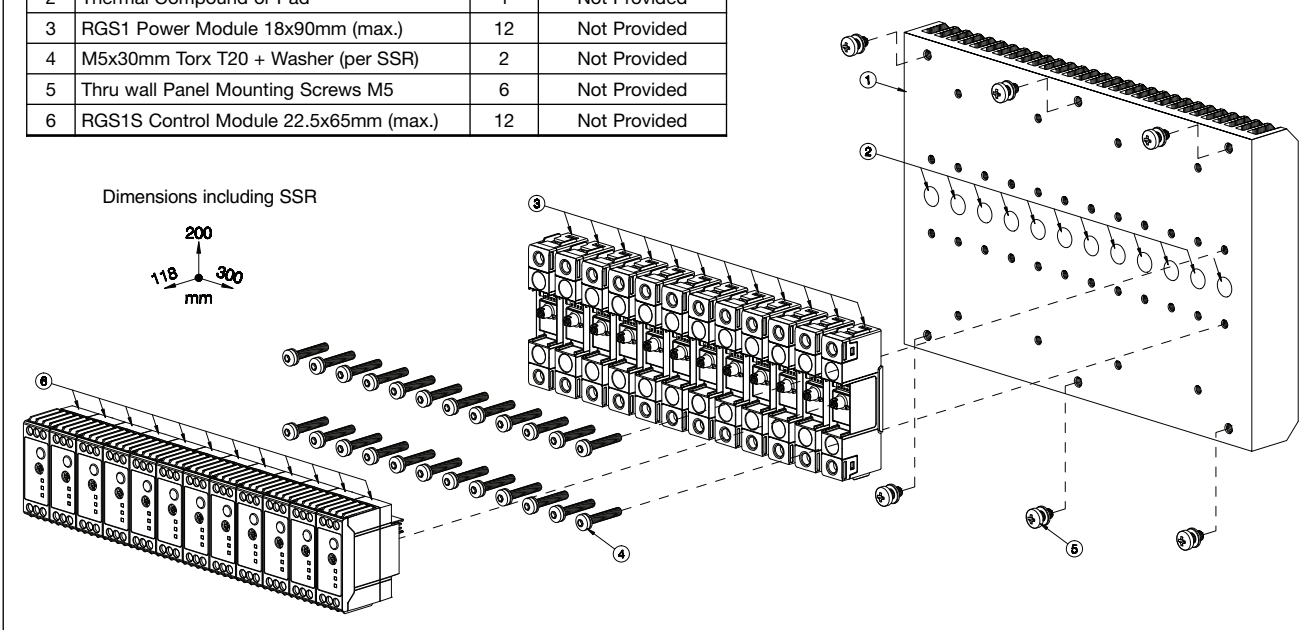
Dimensions including SSR



Heatsink Assembly

Components for assembly		Qty	RHS30040D
1	RHS30040D Heatsink Assembly	1	Provided
2	Thermal Compound or Pad	1	Not Provided
3	RGS1 Power Module 18x90mm (max.)	12	Not Provided
4	M5x30mm Torx T20 + Washer (per SSR)	2	Not Provided
5	Thru wall Panel Mounting Screws M5	6	Not Provided
6	RGS1S Control Module 22.5x65mm (max.)	12	Not Provided

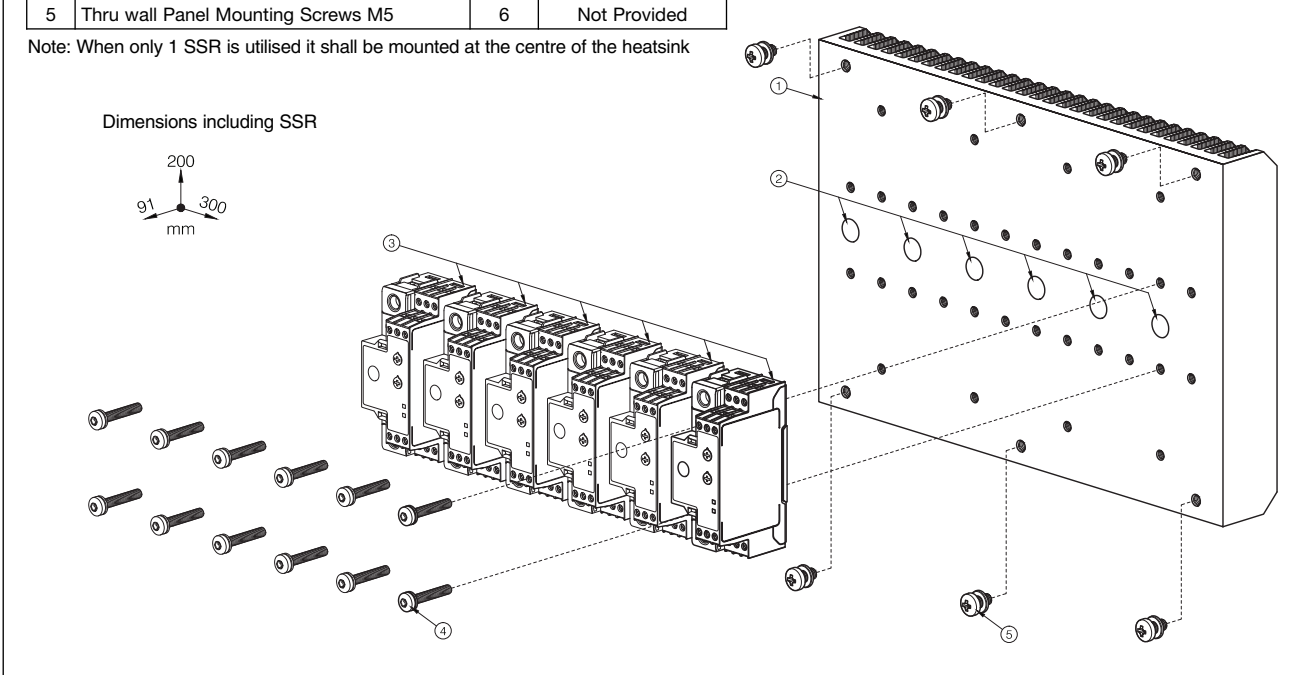
Dimensions including SSR



Components for assembly		Qty	RHS30040D
1	RHS30040D Heatsink Assembly	1	Provided
2	Thermal Compound or Pad	1	Not Provided
3	RGS1P SSR 35x90mm (max.)	6	Not Provided
4	M5x30mm Torx T20 + Washer (per SSR)	2	Not Provided
5	Thru wall Panel Mounting Screws M5	6	Not Provided

Note: When only 1 SSR is utilised it shall be mounted at the centre of the heatsink

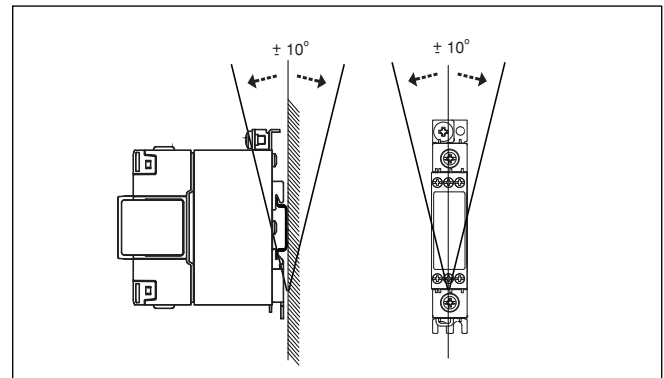
Dimensions including SSR



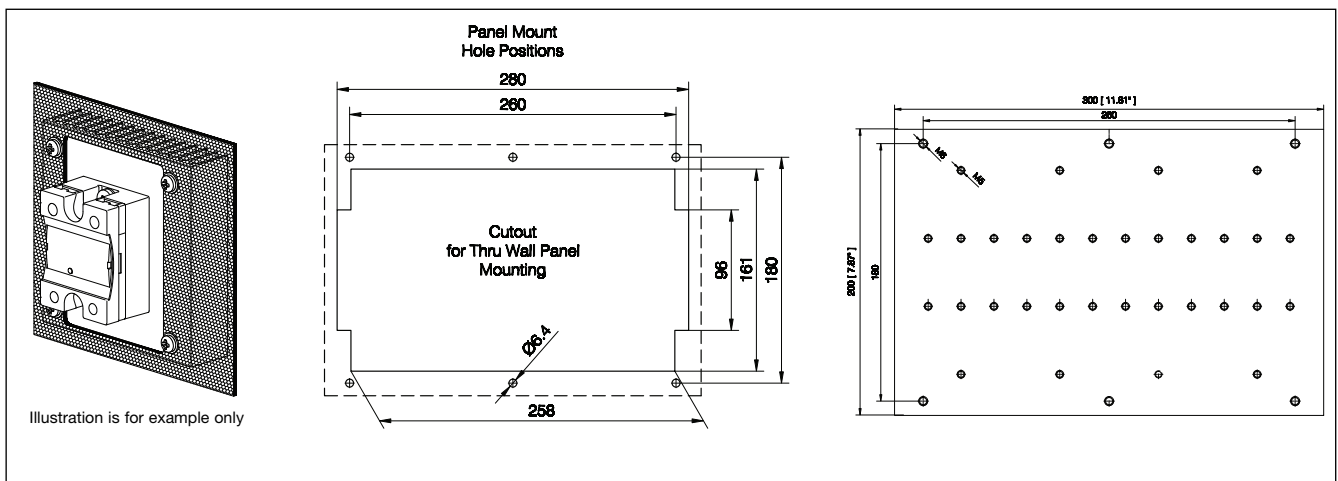
General Specifications

SSR max. mounting torque	1.5Nm (13.3 lb-in)
Weight (excl. SSR)	approx. 2975g
Material	Aluminium
Finish	Black anodization
Fan mounting	Not possible

Mounting Position



Installation



All dimensions in mm.



Recommended Maximum Current Rating (per SSR)

Notes:

- The below recommendations are only valid when the assembly (SSR + heatsink) is mounted as shown in the mounting instructions unless otherwise indicated.
- The indicated ratings are applicable to one SSR, one pole. Please refer to the online selector tool at www.productselection.net for different load currents, surrounding temperatures or multiple units on one heatsink.
- These recommendations are applicable only with the indicated Carlo Gavazzi thermal interface material between SSR and heatsink. In case a different thermal interface is utilised these recommendation may no longer be valid.

Thermal interface = Thermal compound, **HTS02S**

Thermal interface = Thermal pad

KK071CUT for 1-phase SSRs, **RGHT** for RG SSRs

1x 1-phase SSR	Surrounding temperature							
	°C	20	30	40	50	60	70	80
	°F	68	86	104	122	140	158	176
RD..	1	1	1	1	1	1	1	n/a
	5	5	5	5	5	5	5	n/a
RA..L RA..T	10	10	10	10	10	10	10	n/a
	25	25	25	25	23.5	20	16	n/a
RA..	25	25	25	25	25	22	17	n/a
	50	50	50	45.5	38.5	31.5	24	n/a
	90	80.5	75.5	65.5	55.5	45	34	n/a
	110	94	88	76	63.5	51	38.5	n/a
RA60..	50	50	50	45	38	31.5	24.5	n/a
RA2A..*	25	25	25	25	25	25	22	n/a
	40	40	40	38	33.5	29	24	n/a
	25M	25	25	25	25	25	22	n/a
	40M	40	40	39	34.5	29.5	25	n/a
RS1A..	10	10	10	10	10	8.5	6.5	n/a
	25	25	25	25	25	25	25	n/a
	40	40	40	40	40	40	32.5	n/a
RS1A..E	25	25	25	22.5	19.5	16.5	13.5	n/a
	40	33.5	31.5	28	24	20.5	16.5	n/a
RM1A.. RM1B.. RM1C..	25	25	25	25	25	25	25	n/a
	50	50	50	50	50	46.5	32.5	n/a
	75	75	75	75	73	59	41	n/a
	100	100	100	98.5	86	65	44.5	n/a
RM1A60.. RM1B60.. RM1C60.. RM1E60..	50	50	50	50	46	40	33	n/a
RAM1A.. RAM1B.. RM1E..	25	25	25	25	25	25	25	17
	50	50	50	50	50	46.5	32.5	18.5
	75	75	75	75	73	59	41	22.5
	100	98	93	83.5	73	59	41	22.5
	125	116.5	110.5	98.5	86	65	44.5	24
RGS1..E RGS1P..E**	25	25	25	25	25	25	25	25
	50	50	50	50	50	50	45	36
	51	50	50	50	50	50	44	36
	75	75	75	75	69.5	60	50.5	40.5
	90 91 92	90	90	85	75	65	54.5	43.5
RGS1..U	20	20	20	20	20	20	20	20
	30	30	30	30	30	30	30	30
RGS1S..E	20	23	23	23	23	23	23	n/a
	30	30	30	30	30	30	30	n/a
	31	30	30	30	30	30	30	n/a
	92	90	90	85	75	65	54.5	n/a
RGS1D..	15	15	15	15	15	15	15	15
	25	25	25	25	25	25	24	20

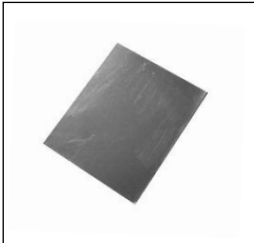
1x 1-phase SSR	Surrounding temperature							
	°C	20	30	40	50	60	70	80
	°F	68	86	104	122	140	158	176
RD..	1	1	1	1	1	1	1	n/a
	5	5	5	5	5	5	5	n/a
RA..L RA..T	10	10	10	10	10	10	10	n/a
	25	25	25	23	20	17	14	n/a
RA..	25	25	25	25	24	19.5	15	n/a
	50	47.5	44.5	38.5	33	26.5	20.5	n/a
	90	62	58	50.5	42.5	34.5	26.5	n/a
	110	70	66	57	47.5	38.5	29	n/a
RA60..	50	46.5	44	38.5	33	27	21	n/a
RA2A..*	25	25	25	25	25	22.5	19	n/a
	40	38.5	37	33	29	25	21	n/a
	25M	25	25	25	25	22.5	19	n/a
	40M	39.5	37.5	33.5	29.5	25.5	21.5	n/a
RS1A..	10	10	10	10	10	8	6	n/a
	25	25	25	25	25	25	21.5	n/a
	40	40	40	40	40	33	23.5	n/a
RS1A..E	25	23.5	22	19.5	17	14.5	11.5	n/a
	40	28	26.5	23.5	20	17	14	n/a
RM1A.. RM1B.. RM1C..	25	25	25	25	25	25	21.5	n/a
	50	50	50	50	42.5	33	23.5	n/a
	75	74	70.5	60	49	38	27	n/a
	100	84	78	66	54	41.5	29	n/a
RM1A60.. RM1B60.. RM1C60.. RM1E60..	50	50	49	44.5	39.5	33.5	24	n/a
RAM1A.. RAM1B.. RM1E..	25	25	25	25	25	25	21.5	13
	50	50	50	50	42.5	33	23.5	13.5
	75	74	70.5	60	49	38	27	15.5
	100	74	70.5	60	49	38	27	15.5
	125	84	78	66	54	41.5	29	16.5
RGS1..E RGS1P..E**	25	25	25	25	25	25	25	21
	50	50	50	48.5	43	37	31.5	25.5
	51	50	50	47	42	36.5	31	25.5
	75	64.5	61.5	55	48.5	42	35.5	28.5
	90 91 92	68.5	65	58.5	52	45	37.5	30.5
RGS1..U	20	20	20	20	20	20	20	20
	30	30	30	30	30	30	30	25.5
RGS1S..E	20	23	23	23	23	23	23	n/a
	30	30	30	30	30	30	30	n/a
	31	30	30	30	30	30	30	n/a
	92	68.5	65	58.5	52	45	37.5	n/a
RGS1D..	15	15	15	15	15	15	15	13.5
	25	25	25	24	21.5	19	16	13.5

* per pole

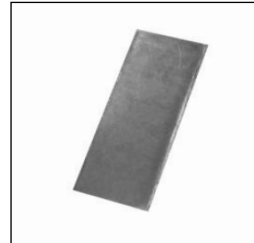
** max. 70 °C / 158 °F for RGS1P..E

Accessories

Thermal Pads



- Ordering key: **KK071CUT**
- Packing qty. 50 pcs.
- Suitable for 1-phase SSRs
- Dimensions: 35 x 43mm



- Ordering key: **RGHT**
- Packing qty. 10 pcs.
- Suitable for RG SSRs
- Dimensions: 14 x 35mm

Thermal Compound



- Ordering key: **HTS02S**
- 2ml syringe of silicone based thermal compound

Screw Kits



- Ordering key: **SRWKITM5X10MM**
- M5x10mm PZ2 screws + washers
- Packing qty. 20pcs.
- Suitable for 1-phase SSRs



- Ordering key: **SRWKITM5X30MM**
- M5x30mm Torx T20 screws + washers
- Packing qty. 20pcs.
- Suitable for RG SSRs