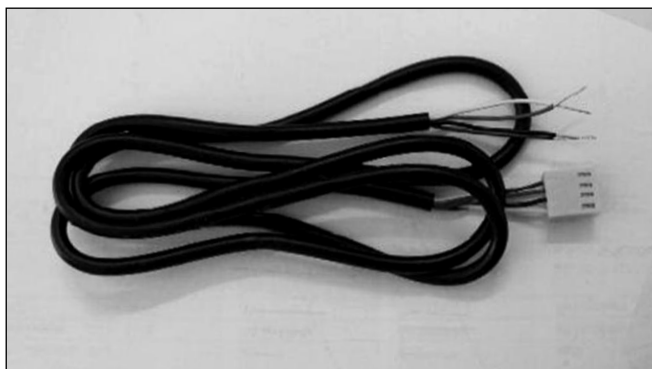


Contents

| | |
|----------------------------------|-------|
| Cables | pg 3 |
| Thermal Interface | pg 4 |
| Screw Kits | pg 5 |
| DIN adaptors | pg 6 |
| Heatsinks | pg 9 |
| Protection Covers | pg 11 |
| Fans | pg 13 |
| Terminal Adapters | pg 14 |
| Varistors | pg 18 |
| Temperature Limit Switches | pg 20 |

Solid State Relays Accessories, Cables Types RCS..



Ordering Key

RCS 3 -100 -1

R-System cable _____
 No. of wires _____
 Cable length in cm _____
 Termination at one end _____

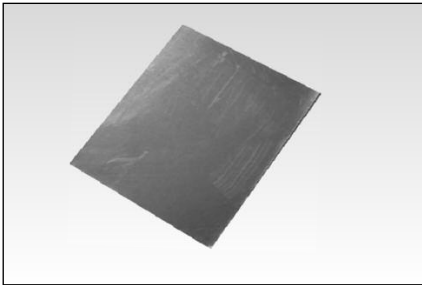
Selection Guide

| Part No. | No. of wires | Cable length (cm) | Type | Cable size | Termination |
|------------|--------------|-------------------|---------------|---------------------|-------------------------------------|
| RCS3-100-1 | 3 | 100 | UL style 2547 | 0.14mm ² | 3-pin socket to mate with RM1E..V.. |
| RCS4-100-1 | 4 | 100 | UL style 2464 | 0.14mm ² | 4-pin socket to mate with RA2A..C |
| RCS4-400-1 | 4 | 400 | UL style 2464 | 0.14mm ² | 4-pin socket to mate with RA2A..C |
| RCS5-200-1 | 5 | 200 | UL style 2464 | 0.25mm ² | 5-pin socket to mate with RA..S |

Solid State Relays Accessories, Thermal Interface

CARLO GAVAZZI

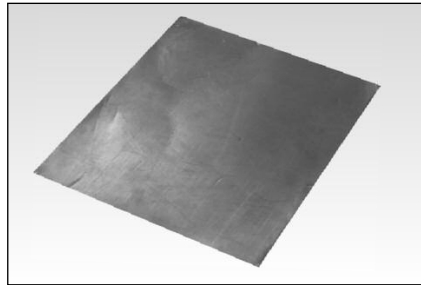
Thermal pads



Ordering Key

KK071 CUT

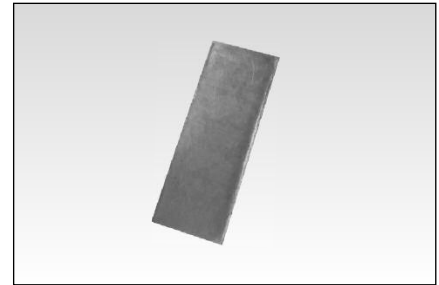
- Graphite thermal pad for RA, RD, RM, RAM and RS series with adhesive on one side
- Width x Height x Thickness = 35 x 43 x 0.25 mm
- Packing qty. 50 pcs.



Ordering Key

RZHT

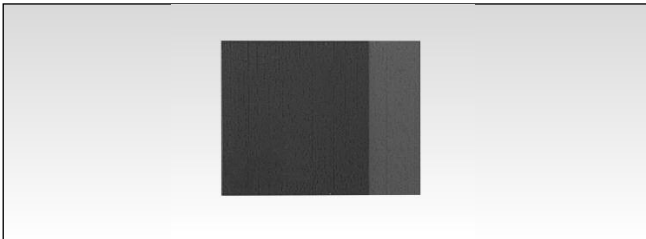
- Graphite thermal pad for RZ3 series with adhesive on one side
- Width x Height x Thickness = 70 x 77 x 0.25 mm
- Packing qty. 10 pcs.



Ordering Key

RGHT

- Graphite thermal pad for RG series with adhesive on one side
- Width x Height x Thickness = 14 x 35 x 0.13 mm
- Packing qty. 10 pcs.

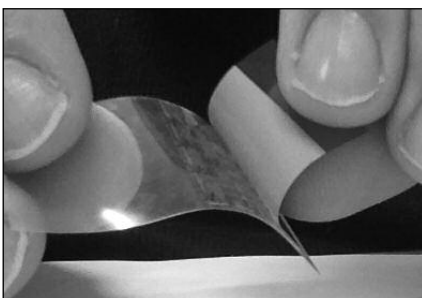


Ordering Key

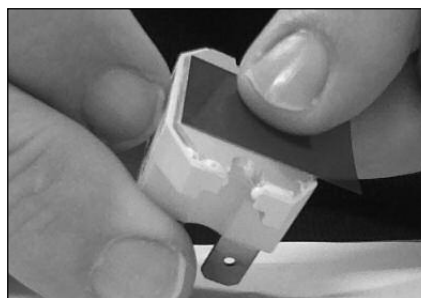
RFHT

- Phase change thermal pad for RF1
- Width x Height x Thickness = 19 x 17 x 0.13 mm
- Packing qty. 10 pcs.

Mounting of RFHT on SSR



1. Remove thermal pad from its protective layer

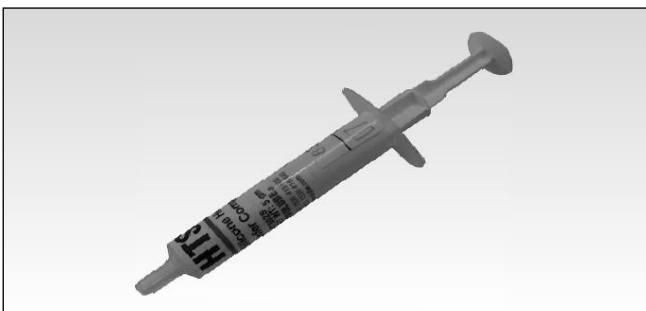


2. Ensure that surface is clean. Mount on the back of the SSR.



3. Leave for 30 minutes and peel off liner

Thermal paste



Ordering Key

HTS02S

- Silicone based thermal paste syringe
- Volume = 2ml
- Packing qty. 1 pc.

Solid State Relays Accessories, Screw Kits Types SRWKIT...

CARLO GAVAZZI



Ordering Key **SRWKIT M5 X 10MM**

Screw Kit _____
Screw size _____
Screw length _____

Selection Guide

| Part No. | Screw size | Length | Packing qty. | Screw head |
|---------------|------------|--------|--------------|---------------|
| SRWKITM5X10MM | M5 | 10mm | 20 | Pozidrive PZ2 |
| SRWKITM4X15MM | M4 | 15mm | 20 | Philips |
| SRWKITM5X23MM | M5 | 23mm | 20 | Torx T20 |
| SRWKITM5X30MM | M5 | 30mm | 20 | Torx T20 |

Please refer to SSR datasheet and / or heatsink datasheet, as applicable, for reference to the type of screw suitable for mounting a specific SSR model on a specific heatsink

Solid State Relays Accessories, DIN Adaptors



DIN Adaptors for PCB SSRs

DIN rail adaptor module for mounting RP series SSRs on DIN rail. The RPM1 is intended for max. operational voltage of 250V, whilst the RPM2 can be used up to 600V.

The RP SSR is not included. Suffix 'M1' or 'M2' is added to the SSR part no. for a factory mounted solution.

Note that when the RP..10 is mounted on DIN rail (vertical mounting), a derating factor has to be applied.

Ordering Key

RPM 1 -

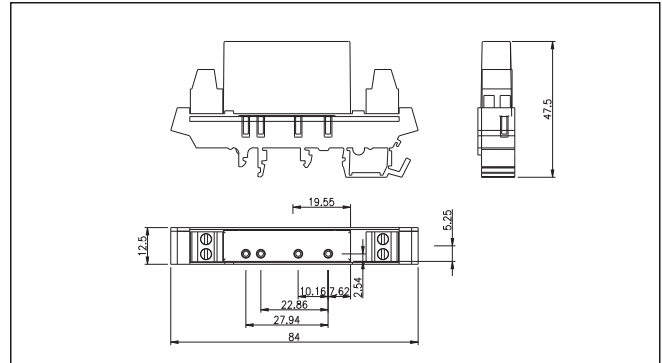
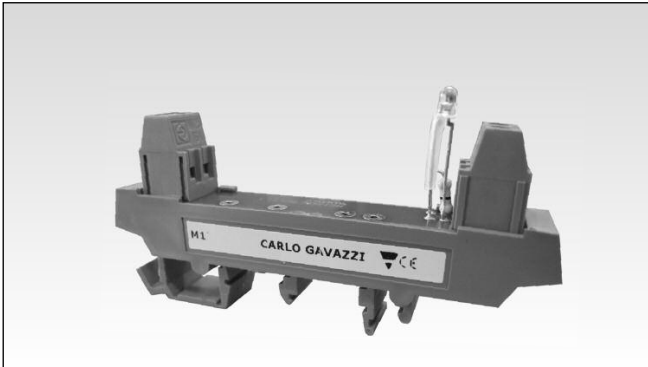
RP DIN rail adaptor module _____
Module size _____
Options _____

Selection Guide

| Part No. | Description | Packing qty. |
|----------|---|--------------|
| RPM1* | 250V module with LED | 1 |
| RPM1V* | 250V module with LED + varistor across output terminals | 1 |
| RPM1P | 250V module with pins for easy removal of RP unit | 1 |
| RPM1PD* | 250V module with pins for easy removal of RP unit + LED | 1 |
| RPM2 | 600V module with LED | 2 |

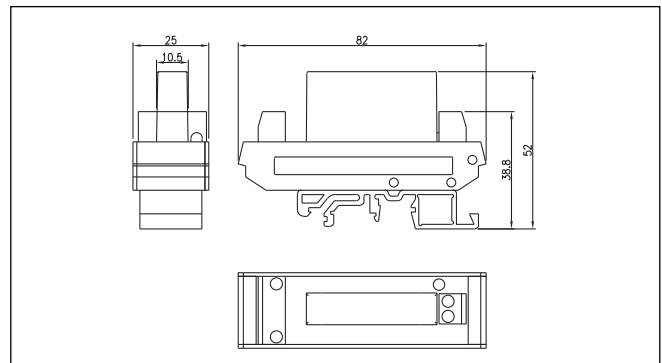
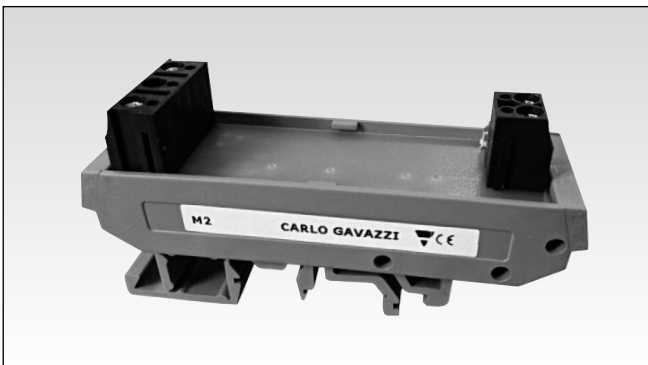
* Not suitable for use with RP1A23A6

RPM1



Dimensions in mm including SSR

RPM2



Dimensions in mm including SSR

Housing Specifications

| | | | |
|-------------------------------------|--------------------------------------|-----------------------|-------------------------------------|
| Housing material | PA, green, UL94 V0 | Mounting torque max. | 0.5 Nm |
| Weight | RPM1 approx. 15g RPM2 approx. 20g | Operating temperature | -20° to + 70°C [-4 to +158°F] |
| Terminal screws | M3 | Storage temperature | -40° to + 100°C [-40° to +212°F] |
| Terminal cable size max. (stranded) | 1.5mm ² | DIN rail guide | DIN EN 50022, 50035 |

DIN Adaptor for 1-phase SSRs

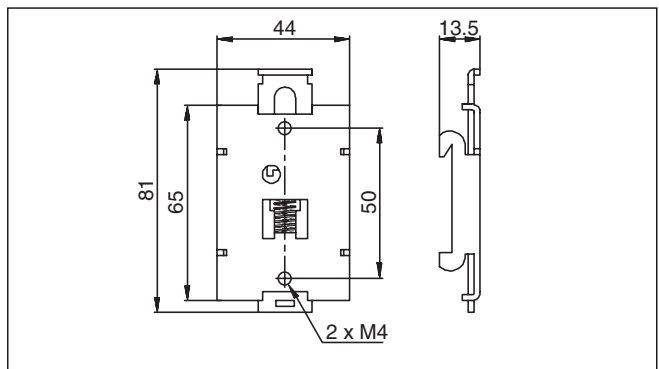
DIN rail adaptor module for mounting the 1-phase SSR series RA, RD, RM, RS and RAM directly on DIN rail.

Suffix H8 added to SSR part no. refers to factory mounted DIN clip. Conditions apply. Please ask your Sales representative for further details.

Ordering Key

RHS00

| | |
|--------------------|---------------------|
| Material | Electroplated steel |
| Thermal resistance | 12.3 °C/W (>10W) |



Dimensions in mm

DIN Adaptor for RGS SSRs



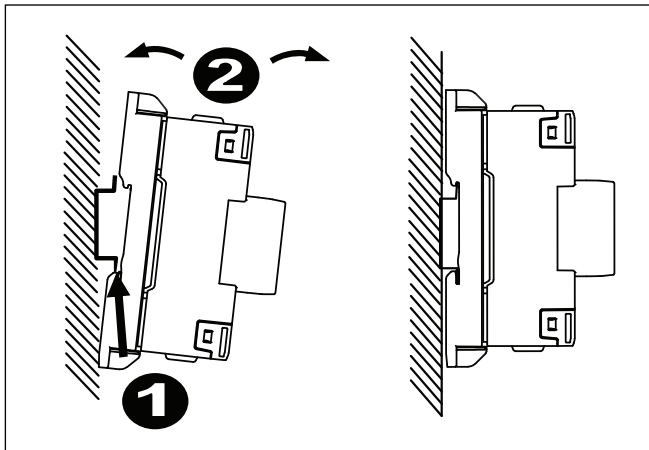
Ordering Key

RGS1DIN

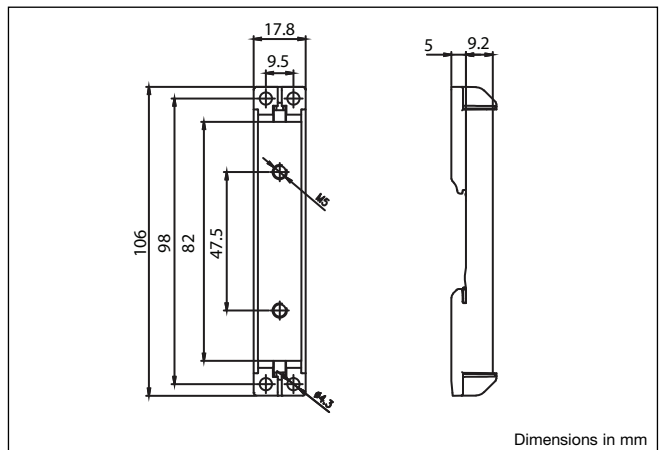
DIN rail adaptor module for mounting the RGS series on DIN rail.

This adaptor integrates an aluminium plate which allows the RGS with mounted RGS1DIN to be used for load current of minimum 10AAC @ 40°C. Refer to RGS datasheet for derating characteristics.

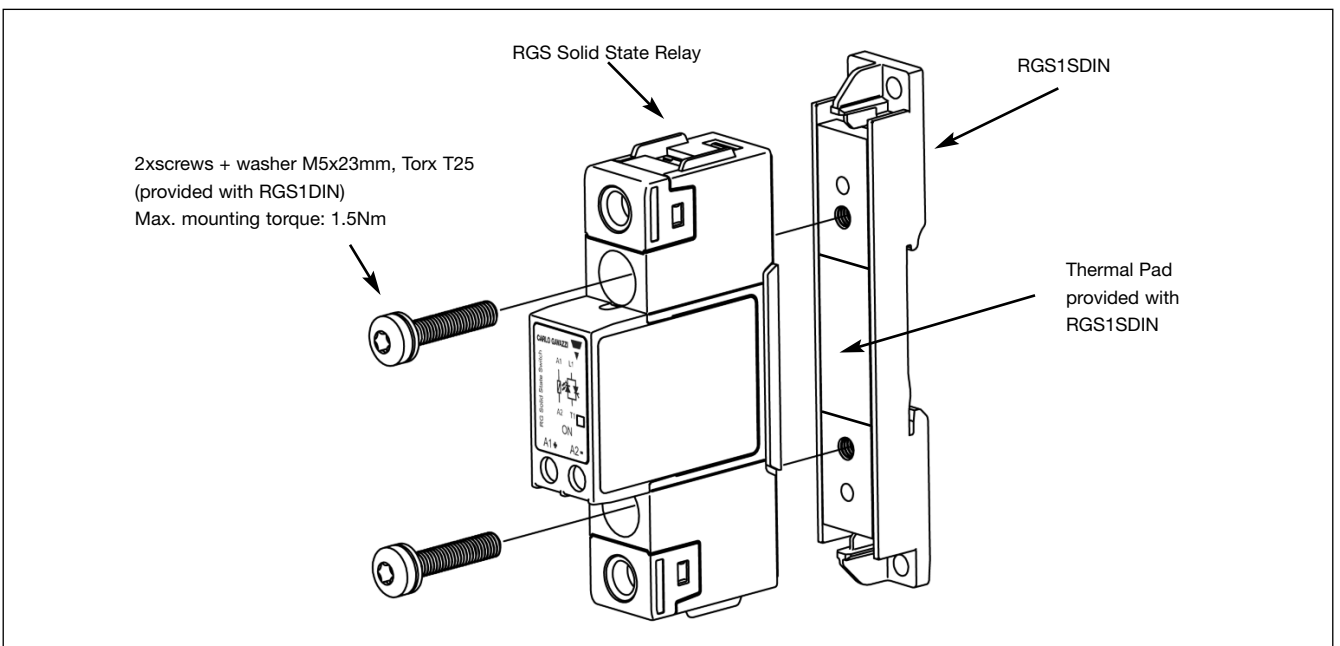
Installation Instructions



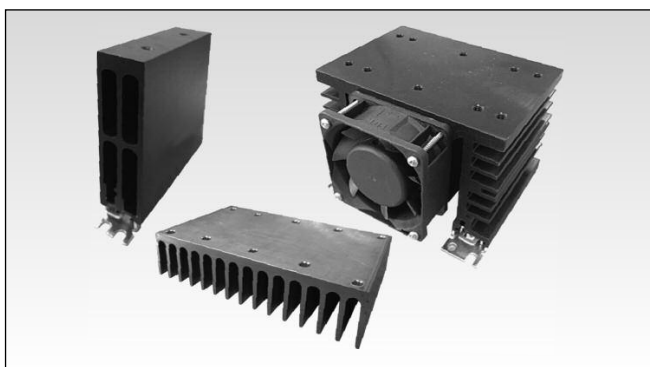
Dimensions



Mounting Instructions



Solid State Relays Accessories, Heatsinks Types RHS..



Ordering Key

RHS..

The tables below give an overview of the range of Carlo Gavazzi heatsinks. For specific details refer to the individual datasheet of each heatsink model.

An online **Heatsink Selector Tool** available at www.product-selection.net indicates the most suitable heatsink for a specific application.

DIN mount heatsinks

| Heatsink reference | Mounted fan | Thermal resistance | Overall dimensions not including SSR Width x Height x Depth (mm) | Max. number of SSRs per series per heatsink | | | | | |
|--------------------|-------------|--------------------|---|---|--------|-----------|-----------|----------|-------|
| | | | | RA.. RD.. RM1.. RAM1.. RS1.. | RGS1.. | RGS1S..E. | RGS1S..U. | RGS1P..E | RZ3.. |
| RHS00 | - | 12.3 °C/W (>10W) | 44 x 82 x 16 | 1 | - | - | - | - | - |
| RHS300 | - | 5.40 °C/W (>30W) | 105 x 82 x 20 | - | - | - | - | - | 1 |
| RHS37A | - | 4.00 °C/W (>20W) | 18 x 110 x 52 | - | 1 | 1 | - | - | - |
| RHS10015 | - | 4.00 °C/W (>30W) | 100 x 82 x 29 | 2 | - | - | - | - | - |
| RHS100, RHS100D | - | 3.10 °C/W (>25W) | 44 x 82 x 48 | 1 | - | - | - | - | - |
| RHS45C, RHS45CD | - | 2.20 °C/W (>45W) | 45 x 103 x 55 | 1 | - | - | - | - | - |
| RHS52A | - | 2.00 °C/W (>45W) | 22.5 x 110 x 90 | - | 1 | 1 | - | - | - |
| RHS45B, RHS45BD | - | 1.85 °C/W (>50W) | 45 x 103 x 80 | 1 | - | - | - | - | - |
| RHS540, RHS540D | - | 1.85 °C/W (>60W) | 54 x 110 x 51 | 1 | 3 | 1 | 1 | 1 | - |
| RHS542, RHS542D | - | 1.85 °C/W (>60W) | 54 x 110 x 51 | - | 2 | 2 | - | 1 | - |
| RHS703, RHS703D | - | 1.10 °C/W (>60W) | 72 x 110 x 75 | 1 | 3 | 2 | 2 | 1 | - |
| RHS90A, RHS90AD | - | 0.97 °C/W (>60W) | 90 x 103 x 80 | 1 | - | - | - | - | - |
| RHS301, RHS301D | - | 0.82 °C/W (>80W) | 119 x 82 x 94 | 2 | - | - | - | - | 1 |
| RHS112A, RHS112AD | - | 0.76 °C/W (>100W) | 112 x 103 x 80 | 2 | - | - | - | - | 1 |
| RHS11267DIND | - | 0.54 °C/W (>150W) | 119 x 125 x 94 | 2 | 3 | 3 | 2 | 2 | 1 |
| RHS540F40-24 | 24VDC | 0.65 °C/W | 54 x 135 x 51 | 1 | 3 | 1 | 1 | 1 | - |
| RHS542F40-24 | 24VDC | 0.65 °C/W | 54 x 135 x 51 | - | 2 | 2 | - | 1 | - |
| RHS703F60-24 | 24VDC | 0.37 °C/W | 72 x 141 x 75 | 1 | 3 | 2 | 2 | 1 | - |
| RHS703F60-230 | 220-240VAC | 0.37 °C/W | 72 x 141 x 75 | 1 | 3 | 2 | 2 | 1 | - |
| RHS112AF60-24 | 24VDC | 0.35 °C/W | 112 x 120 x 80 | 2 | - | - | - | - | 1 |
| RHS112AF60-230 | 220-240VAC | 0.35 °C/W | 112 x 120 x 80 | 2 | - | - | - | - | 1 |
| RHS301F115C | 115VAC | 0.28 °C/W | 124 x 146 x 122 | 2 | - | - | - | - | 1 |
| RHS301F230C | 220-240VAC | 0.28 °C/W | 124 x 146 x 122 | 2 | - | - | - | - | 1 |
| RHS28009F80-24P | 24VDC | 0.12 °C/W | 280 x 87 x 122 | 4 | 9 | 9 | 4 | 4 | - |
| RHS28011F80-24P | 24VDC | 0.12 °C/W | 280 x 87 x 122 | 3 | 11 | 6 | 5 | - | - |

Thru wall mount heatsinks

| Heatsink reference | Mounted fan | Thermal resistance | Overall dimensions not including SSR Width x Height x Depth (mm) | Max. number of SSRs per series per heatsink | | | | | | |
|--------------------|-------------|--------------------|---|---|--|--------|-----------|-----------|----------|-------|
| | | | | RF1.. | RA.. RD.. RM1.. RAM1.. RS1.. | RGS1.. | RGS1S..E. | RGS1S..U. | RGS1P..E | RZ3.. |
| RHS38ARFD | - | 2.85 °C/W (>40W) | 46 x 76 x 33 | 1 | - | - | - | - | - | - |
| RHS10025D | - | 1.85 °C/W (>60W) | 100 x 100 x 25 | - | 1 | 3 | 2 | 1 | 1 | - |
| RHS16225D | - | 1.30 °C/W (>90W) | 162 x 100 x 25 | - | 3 | 3 | 3 | 3 | 2 | 1 |
| RHS16225LD | - | 0.84 °C/W (>120W) | 162 x 250 x 25 | - | 3 | 3 | 3 | 3 | 2 | 1 |
| RHS11267D | - | 0.54 °C/W (>150W) | 112 x 125 x 67 | - | 1 | 3 | 2 | 2 | 1 | - |
| RHS30040D | - | 0.40 °C/W (>180W) | 300 x 200 x 40 | - | 8 | 12 | 12 | 5 | 6 | - |

Panel mount heatsinks

| Heatsink reference | Mounted fan | Thermal resistance | Overall dimensions not including SSR Width x Height x Depth (mm) | Max. number of SSRs per series per heatsink | | | | | | |
|--------------------|-------------|--------------------|---|---|--|--------|-----------|-----------|----------|-------|
| | | | | RF1.. | RA.. RD.. RM1.. RAM1.. RS1.. | RGS1.. | RGS1S..E. | RGS1S..U. | RGS1P..E | RZ3.. |
| RHS5050D | - | 3.50 °C/W (>25W) | 80 x 50 x 51 | - | 1 | - | - | - | - | - |
| RHS5050RFD | - | 3.50 °C/W (>25W) | 80 x 50 x 51 | 1 | - | - | - | - | - | - |
| RHS38AD | - | 2.85 °C/W (>40W) | 46 x 76 x 33 | - | 1 | - | - | - | - | - |
| RHS38ARFD | - | 2.85 °C/W (>40W) | 46 x 76 x 33 | 1 | - | - | - | - | - | - |
| RHS10025D | - | 1.85 °C/W (>60W) | 100 x 100 x 25 | - | 1 | 3 | 2 | 1 | 1 | - |
| RHS5840D | - | 1.80 °C/W (>60W) | 81 x 100 x 40 | - | 1 | 3 | 2 | 1 | 1 | - |
| RHS10067D | - | 1.70 °C/W (>20W) | 121 x 76 x 67 | - | 1 | - | - | - | - | - |
| RHS16225D | - | 1.30 °C/W (>90W) | 162 x 100 x 25 | - | 3 | 3 | 3 | 3 | 2 | 1 |
| RHS10067LD | - | 0.88 °C/W (>80W) | 121 x 140 x 67 | - | 2 | 2 | - | - | 1 | - |
| RHS16225LD | - | 0.84 °C/W (>120W) | 162 x 250 x 25 | - | 3 | 3 | 3 | 3 | 2 | 1 |
| RHS320 | - | 0.40 °C/W (>120W) | 240 x 100 x 93 | - | 3 | 3 | 3 | 3 | 3 | 1 |

Solid State Relays Accessories, Protection Covers

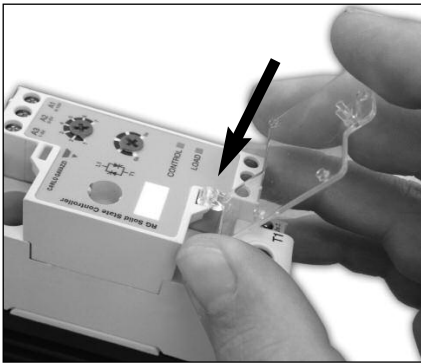


Ordering Key

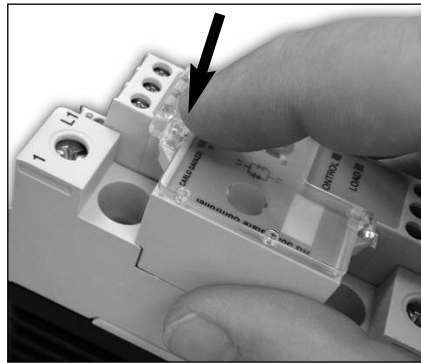
RGTMP

Tamper proof accessory kit for RGS1P, RGC1P series containing:
- x5 transparent covers
- x5 secureness ties

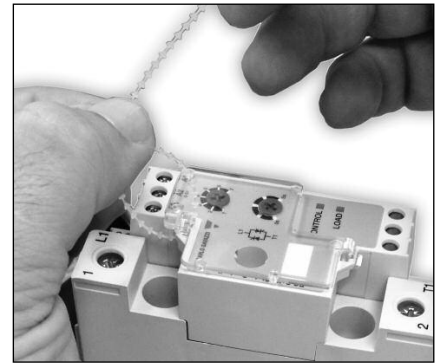
Installation



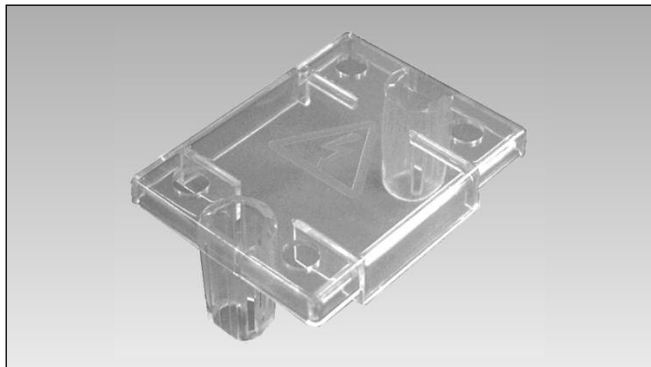
1: Clip hook of the transparent cover to the bottom loop of the RGx1P control module



2: Close the cover by clipping to the top loop of the RGx1P control module



3: Secure with provided tie



Ordering Key

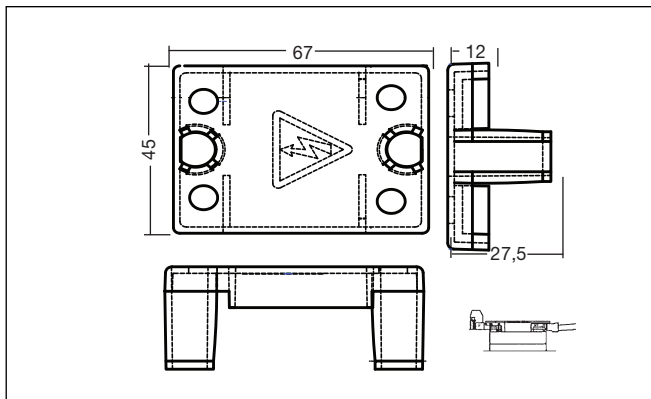
BBR

- IP20 touch protection cover for RA & RD series
- Packing qty. 25 pcs.

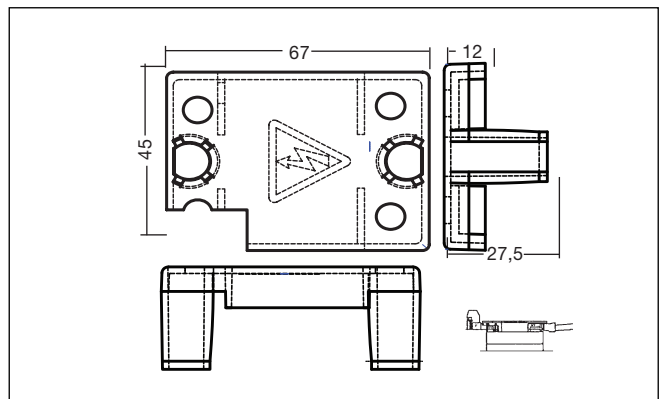
Ordering Key

BBR-S

- IP20 touch protection cover for RA..S series
- Packing qty. 25 pcs.



BBR Dimensions in mm



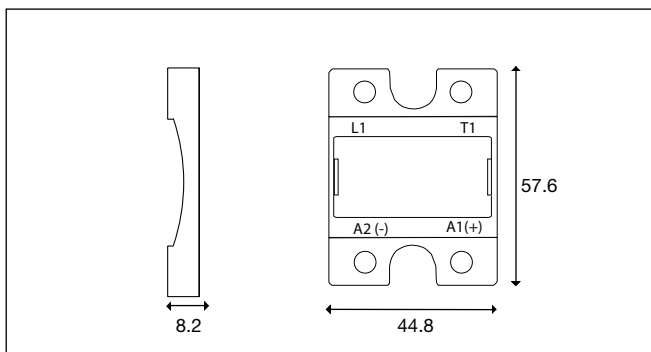
BBR-S Dimensions in mm



Ordering Key

RMIP20

- IP20 touch protection cover for RM, RS and RAM series
- Packing qty. 20 pcs.



Dimensions in mm



Ordering Key

RHSF..

Fans for mounting to heatsinks RHS45C, RHS45B, RHS90A, RHS112A, RHS540, RHS542, RHS703, RHS301 for higher thermal resistance.

Assemblies with pre mounted fans are also available. Refer to Heatsinks datasheet for further details.

Selection Guide

| Part No. | Size Width x Height x Depth (mm) | Voltage rating | Power consumption | Suitable for mounting to heatsink |
|------------|----------------------------------|---------------------------|-------------------|-----------------------------------|
| RHSF40-24 | 40 x 40 x 20 | 24 VDC | 0.92 Watts | RHS45C, RHS45B, RHS540, RHS542 |
| RHSF60-24 | 60 x 60 x 20 | 24 VDC | 1.8 Watts | RHS90A, RHS112A, RHS703 |
| RHSF60-230 | 60 x 60 x 20 | 220 - 240 VAC, 50/60Hz | 4.1 / 4.4 Watts | RHS90A, RHS112A, RHS703 |
| RHS301F115 | 120 x 120 x 38 (plus bracket) | 115 VAC 50/60Hz | 20 / 18 Watts | RHS301 |
| RHS301F230 | 120 x 120 x 38 (plus bracket) | 220 - 240 VAC, 50/60Hz | 20 / 19 Watts | RHS301 |

Solid State Relays Accessories, Terminal Adaptors



Fork Terminals

These fork terminals are suitable for use with the RM, RS and RAM series. The maximum cross sectional area that these connectors can handle is 35mm²/AWG2. A version with touch protection is also available.

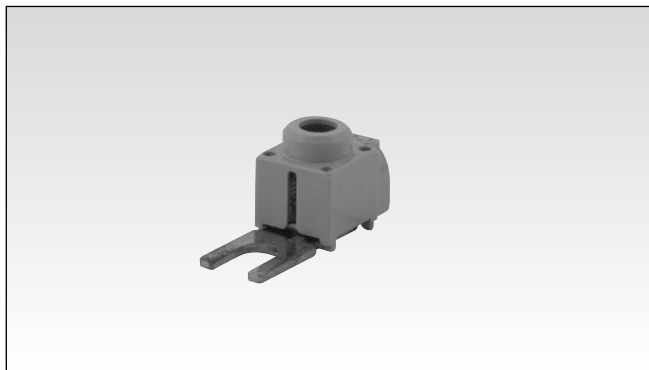
Ordering Key

RM 635 FK _

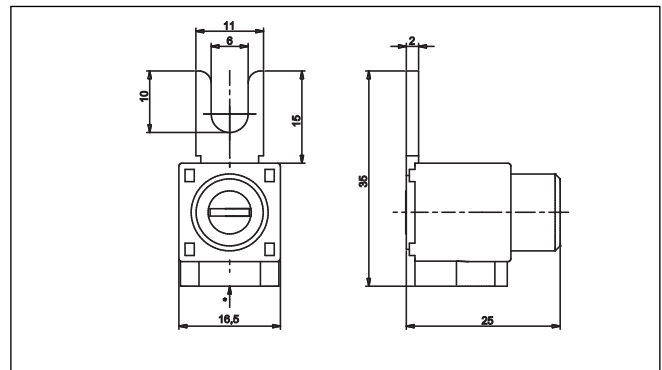
RM, RAM, RS solid state relay _____
 Size _____
 Fork terminal _____
 Options _____

Selection Guide

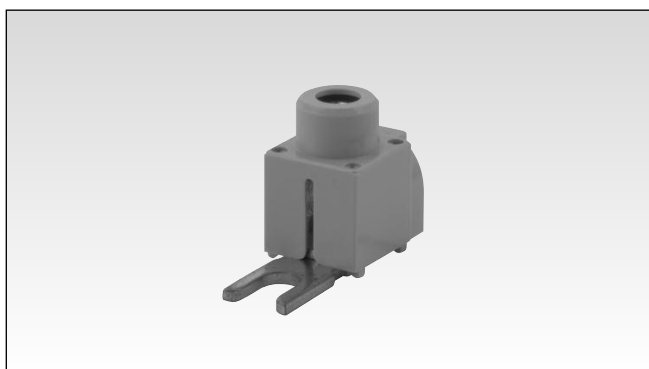
| Part No. | Max. cross sectional area (flexible conductor) | Touch protection | Packing qty. |
|----------|---|------------------|--------------|
| RM625FK | 16mm ² | No | 10 |
| RM635FK | 35mm ² | No | 10 |
| RM635FKP | 35mm ² | Yes | 10 |



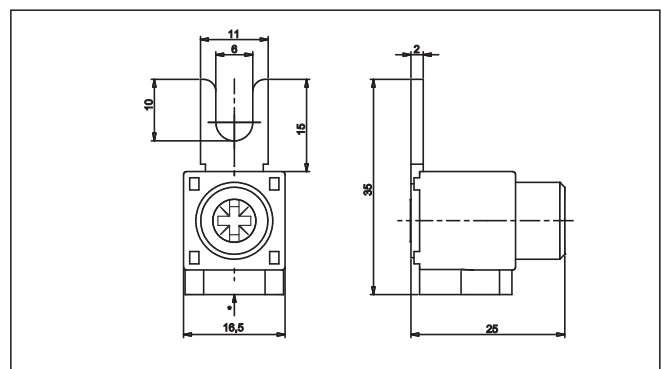
RM625FK



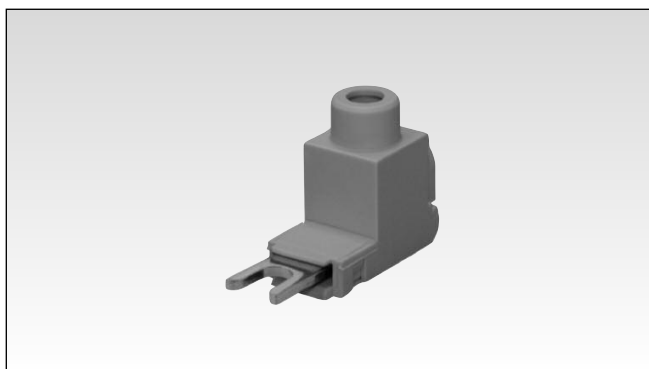
Dimensions in mm



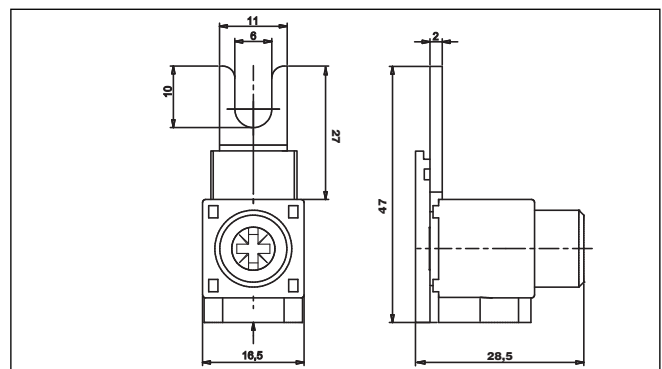
RM635FK



Dimensions in mm



RM635FKP

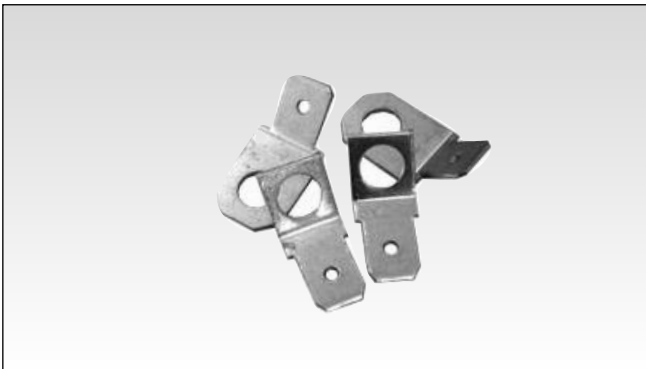


Dimensions in mm

General Specifications

| | | |
|------------------------|---------------------------------|--|
| Housing | RM625FK, RM635FK. RM635FKP | Cycoloy UL94 V0 PA66 UL94 V0 |
| Connection lug | | CuZn37 with surface Zn4ymcA RAL 7035 |
| Max. fastening torque | RM625FK, RM635FK. RM635FKP | 2 Nm (17.7 lb-in) 3-3,5 Nm (26.55 - 30.97 lb-in), 6mm ² (AWG 10) 4-4,5 Nm (35.40 - 39.82 lb-in), 10-16mm ² (AWG 8-6) 5-5,5 Nm (44.25 - 48.68 lb-in), 25-50mm ² (AWG 4-1) |
| Wire acceptance | | |
| Solid Cu conductor | RM625FK RM635FK. RM635FKP | 6 - 25mm ² (AWG 10 - 4) 6 - 50mm ² (AWG 10 - 1) 6 - 50mm ² (AWG 10 - 1) |
| Flexible Cu conductor | RM625FK RM635FK. RM635FKP | 6 - 16mm ² (AWG 10 - 6) 6 - 35mm ² (AWG 10 - 3) 6 - 35mm ² (AWG 10 - 3) |
| Max. handling current | RM635FK. RM635FKP | 100 A 160 A |
| Max. operating voltage | | 600 VAC |

FASTON Terminals



Ordering Key

RM 48 F4
RM, RAM, RS solid state relay
Tab size
Tab orientation

FASTON tabs for screw mounting on RM, RS, RAM series.
Tabs are tin plated brass with dimensions according to
DIN46342 part 1

Selection Guide

| Part No. | Tab size | Tab orientation | Packing qty. |
|---------------|------------------------|-----------------|--------------|
| RM48F4 | 4.8 x 0.8mm for input | Angled 45° | 20 |
| RM48F0 | 4.8 x 0.8mm for input | Flat 0° | 20 |
| RM63F4 | 6.3 x 0.8mm for output | Angled 45° | 20 |
| RM63F0 | 6.3 x 0.8mm for output | Flat 0° | 20 |

Hex Spacers



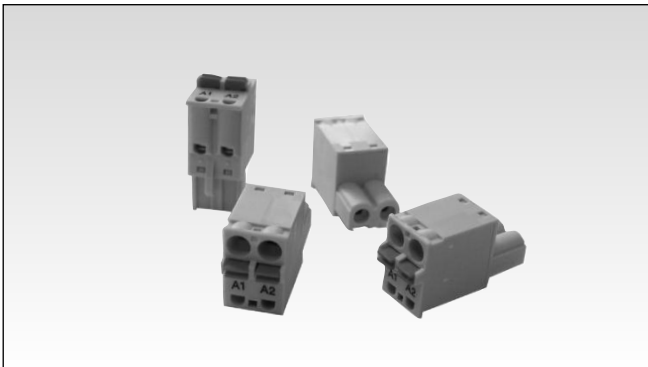
Ordering Key

RMSP03

- Dimensions M3 x 12mm
- Packing qty. 20 pcs.

Hex tin plated brass spacer M3x12mm for mounting on input terminals of RM, RS and RAM series to allow for mounting of PCB on top of SSR

Plug Terminals



Ordering Key

RGM25

- Spring loaded plug terminal for RG series
- 2 pole, 1x 0.2-2.5mm² (24 - 12 AWG)
- Packing qty. 10 pcs.

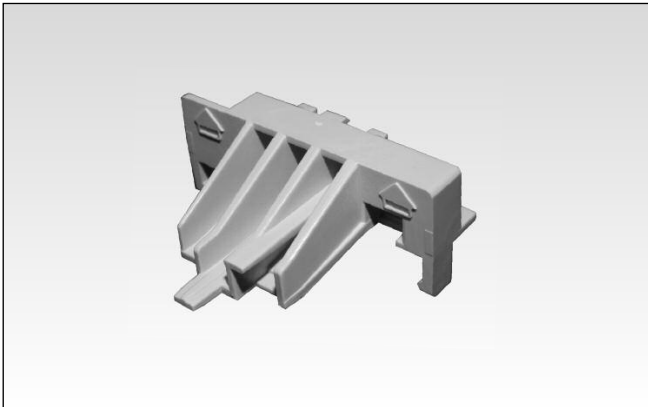


Ordering Key

RG3G25

- Box clamp plug terminal for RGCM series
- 3 way 2 pole, 1x 0.2-2.5mm² (24 - 12 AWG)
- Packing qty. 10 pcs.

Motor Overload Relay Adaptor



Ordering Key

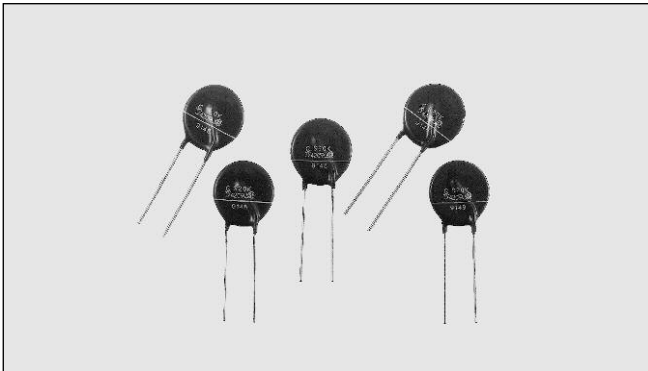
REC3ADAPTOR

This plastic adaptor can be fitted to the RGCM housing cover to facilitate mounting of overload protection relays. This adaptor is compatible with:

| Manufacturers | Series | Example |
|----------------------|---------------|----------------|
| ABB | TA | TA25DU-8.5 |
| Siemens | 3RU11 | 3RU1126-1FB0 |

Packing qty. 5 pcs.

Solid State Relays Accessories, Varistors Type RV



- Transient protection devices for Solid State Relays

Product Description

A metal oxide varistor (MOV) is a voltage dependent resistor with a symmetrical V/I characteristics curve whose resistance decreases with increasing voltage. Varistors are ideally suited for protecting sensitive electronic circuits and components (power semiconductors) against

voltage transients caused either by the mains or by other application parts. Connected in parallel with the electronic device that is to be guarded, they form a low resistance shunt when voltage increases and thus prevent any further V/I in the over voltage.

Ordering Key

RV 04

Solid State Relay _____
Varistor _____
Varistor voltage _____

Type Selection

3-phase mains without neutral

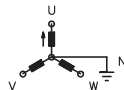


| Mains | Uc * | Carlo Gavazzi** | Epcos | AVX | Nippon Chemi-Con | ACPA/Song Long |
|-------|------|-----------------|--------------|-------------|------------------|----------------|
| 230 V | 710 | RV 02 | SIOV-S20K275 | VF20M10431K | TND 20V-431 | 431KD20 |
| 400 V | 1120 | RV 04 | SIOV-S20K420 | VF20M10681K | TND 20V-681 | 681KD20 |
| 480 V | 1355 | RV 05 | SIOV-S20K510 | VF20M10821K | TND 20V-821 | 821KD20 |
| 600 V | 1650 | RV 06 | SIOV-S20K625 | VF20M10102K | TND20V-102 | 102KD20 |
| 660 V | 1815 | RV 07 | SIOV-S20K680 | - | TND20V-112 | 112KD20 |

* Uc @ 100 A_p (SIOV-S20K...)

** Pack of 10 pieces

1-phase and 3-phase mains with neutral

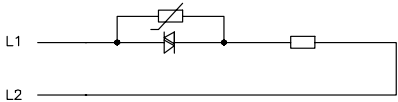
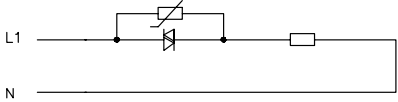
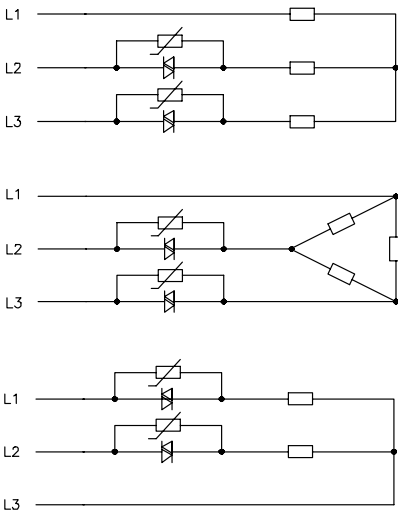
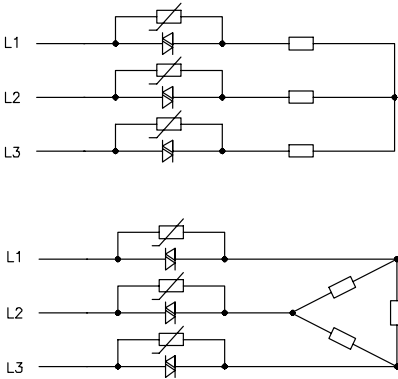
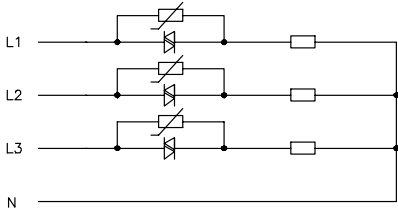


| Mains | Uc * | Carlo Gavazzi** | Epcos | AVX | Nippon Chemi-Con | ACPA/Song Long |
|---------|------|-----------------|--------------|-------------|------------------|----------------|
| 120/240 | 710 | RV 02 | SIOV-S20K275 | VF20M10431K | TND20V-431 | 431KD20 |
| 230/400 | 710 | RV 02 | SIOV-S20K275 | VF20M10431K | TND20V-431 | 431KD20 |
| 400/690 | 1120 | RV 04 | SIOV-S20K420 | VF20M10681K | TND20V-681 | 681KD20 |

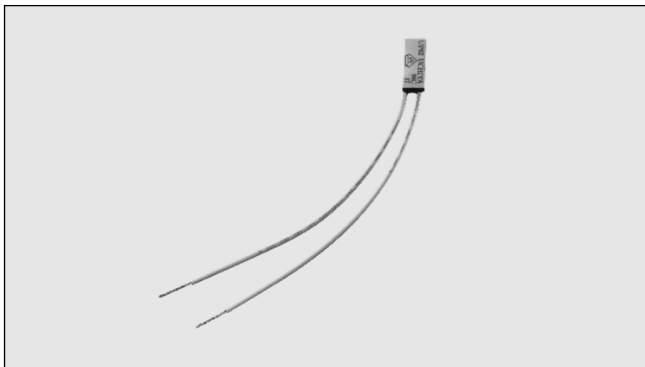
* Uc @ 100 A_p (SIOV-S20K...)

** Pack of 10 pieces

Wiring Diagrams

| | Mains without neutral | Mains with neutral |
|----------------|---|---|
| 1-phase |  |  |
| 2-phase | <p>Economy switch</p>  | |
| 3-phase |  |  |

Solid State Relays Accessories, Temperature Limit Switches Type UP 62 - ..



- Temperature limit switch for overheat protection of small assemblies.

Product Description

The temperature limit switch is a readily available accessory. It is a thermostat especially designed for overheat protection for small assemblies.

The thermal response is excellent due to its miniaturized housing. It becomes an effective thermal cutout due to the fact that this limit switch can be fitted close to the heatsink of the relay.

When connected serial with the control voltage, the TLS will switch off the relay as soon as the operating temperature of the switch is reached. The relay will be activated

again when the temperature drops (approx. 30°C) below its cutout value.

In the RZ3 relay, the TLS can be connected to two free (internally non-connected) terminals (B1/B2).

Thermal compound must be added when inserting the TLS (to guarantee a fast thermal response).

The heatsink selection charts (load current versus ambient temperature) for RSO types provide information about which thermal switch to use.

Ordering Key

UP 62 - 90

Thermostat type

Switch temperature

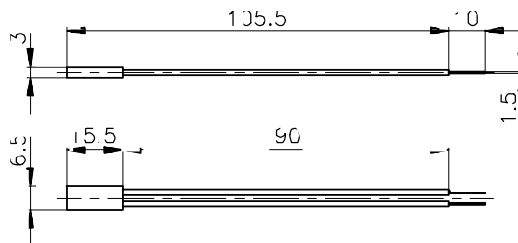
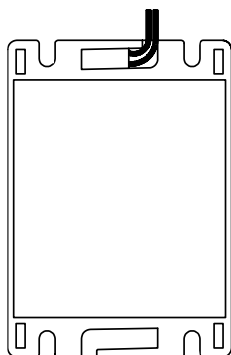
Type Selection

Switch temperature

| | |
|----------|--------------|
| UP 62-70 | 70°C (158°F) |
| UP 62-80 | 80°C (176°F) |
| UP 62-90 | 90°C (194°F) |

Installation

The UP 62 - .. is mounted in one of the two slots of the 3-phase SSR housing.



All dimensions in mm