

Products /  **CASTALDI** / BOX D58 / D58 BOX/P1 / D58/P1-83-MB-AL

## BOX D58 D58/P1-83-MB-AL

### TECHNICAL DATA

#### GENERAL

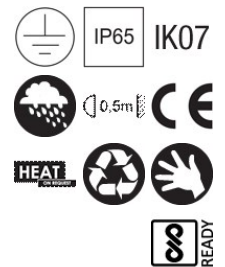


Item code	D58/P1-83-MB-AL
Place installation	outdoor
Name	D58 BOX/P1 / D58/P1-83-MB-AL pole mounted, spot lights, ground mounted
Note	DALI version on request. BIS on request.
Standard colour	AL - aluminium grey (similar to RAL 7040)
Variant colour	GR - graphite satin finish (similar to RAL 7022)
Environments	urban landscape, façades and architectural works, wellness, hallway, art and culture, retail areas, places of worship, residential lighting



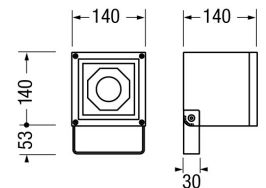
#### PHYSICAL

Installation type	pole mounted, spot lights, ground mounted
Mounting type	pole, ground surface, surface
Painting	Polyester powder coating, with a pluri-processed against corrosion (passed the exposure of over 1500 hours in a saline mist environment).
Screws	AISI 304 stainless steel screws.
Seals	Silicone Rubber.
Body	Corrosion resistant die-cast aluminium body. Aluminium mounting bracket.



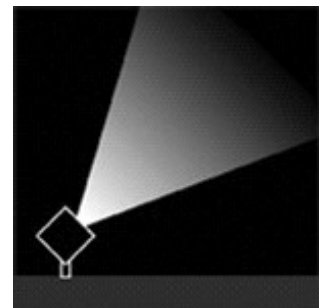
#### DIMENSIONS

A: Total width device (mm)	140
L: Total length device (mm)	140
Weight (kg)	2,2
Volume piece packed (m3)	0,005



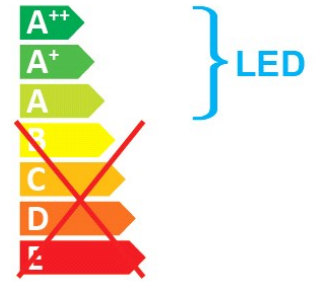
#### OPTICAL SYSTEMS

Opening beam	medium
Optical System	PC with aluminium coating reflector.
Diffuser	Tempered safety glass - 10 mm thickness, mechanical and thermal shock resistant.



## ENERGY SAVING

This luminaire contains built-in LED lamps  
The lamps cannot be changed in the luminaire



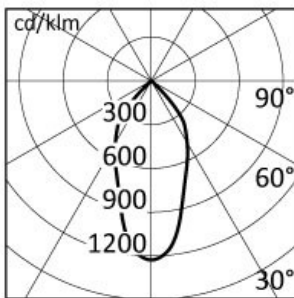
## SOURCES

Source Type	Source Power	System Power	Source	Lamp Socket	Sources Temperature Colour	Nominal Flux	Output Flux	MacAdam
LED COB	-	13,5W	-	-	3000K CRI>80	-	1651 lm	Step 3

## ELECTRICAL

Ballast type	Electronic.
Mounting ballast type	Integral
Lifetime	50.000h L80B10 (Ta=25°C)
Line input	Use only (EN 60598-1) cable type H07RN-F with diameter between 7 and 10mm.
Voltage	220-240V
Frequency	50-60Hz
Wiring	Built-in control-gear 220/240V-AC 50/60Hz.

## PHOTOMETRICS



h (m)	Ø (m)	Emed (lx)
2,00	1,74	272
4,00	3,49	68
6,00	5,23	30
8,00	6,97	17
10,00	8,71	11

## NORMS / DIRECTIVES

Norms	EN 60598-1, EN 60598-2-5
Directives	2014/35/UE, 2014/30/UE

## ACCESSORIES

## OPTIONAL ACCESSORIES

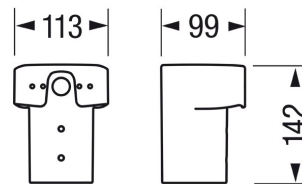
### Mounting

Accessory code	ACS/TP60-AL
Technical description	For models: D30 boxer, D58 box/P1/P2 and D55 flat/P1/P2. Single connection for Ø60mm pole top entry. The single pole connection, suitable for pole top entry or piece of pole Ø60mm, allows to freely adjust the floodlight. Powder painting after passivation -AL ALUMINIUM. AISI 304 stainless steel hardware.



Wind exposed surface (m²)	0,07
Weight (kg)	0,7
Volume of package (m3)	0,003

Body	Corrosion resistant die-cast aluminium body.
------	----------------------------------------------



Accessory code	D55/0-PZ
----------------	----------

Technical description	For models: D55 flex/T0, D58 box/P0/P1 and BE P1. Ground fixing spike.
-----------------------	------------------------------------------------------------------------



Accessory code	ACS/CG
----------------	--------

Technical description	For models D58 box/P0/P1. Support belt.
-----------------------	-----------------------------------------



Accessory code	ACS/GA1-AL
----------------	------------

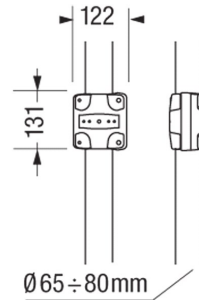
Technical description	Universal pole connection. Suitable for one or two fixtures on conical or cylindrical poles with diameters between 65 and 80mm. Powder painting after passivation -AL ALUMINIUM. AISI 304 stainless steel hardware.
-----------------------	---------------------------------------------------------------------------------------------------------------------------------------------------------------------------------------------------------------------

A: Total width device (mm)	122
----------------------------	-----

H: Total height device (mm)	131
-----------------------------	-----

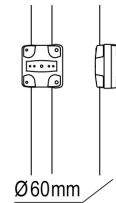


Weight (kg)	12
Volume of package (m3)	3
Body	Corrosion resistant die-cast aluminium.



Accessory code	ACS/GA60-AL
----------------	-------------

Technical description	Universal pole connection. Suitable for one or two fixtures on conical or cylindrical poles with diameters between 60 and 63mm. Powder painting after passivation -AL ALUMINIUM. AISI 304 stainless steel hardware.
-----------------------	---------------------------------------------------------------------------------------------------------------------------------------------------------------------------------------------------------------------



## Optical

Accessory code	D58/P1-GP
----------------	-----------

Technical description	For models D58 box/P1/C1. Anti-glare louver.
-----------------------	----------------------------------------------



Accessory code	D58/P1-LD
----------------	-----------

Technical description	For models D58 box/P1/C1. Diffused beam lens.
-----------------------	-----------------------------------------------



**Accessory code** D58/P1-LE

**Technical description** For models D58 box/P1/C1. Elliptical beam lens.



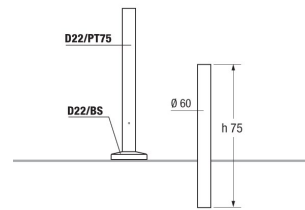
## Pole

**Accessory code** D22/PT75-AL

**Technical description** Low poles in aluminium Ø60mm -AL ALUMINIUM, length pole 75cm, for embedded mounting and with the independent base D22/BS to be fixed to flooring and paving.

**H: Total height device (mm)** 750

**Body** Painted -AL ALUMINIUM.

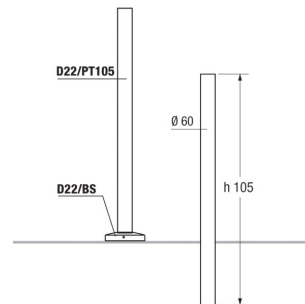


**Accessory code** D22/PT105-AL

**Technical description** Low poles in aluminium Ø60mm -AL ALUMINIUM, length pole 105cm, for embedded mounting and with the independent base D22/BS to be fixed to flooring and paving.

**H: Total height device (mm)** 1050

**Body** Painted -AL ALUMINIUM.

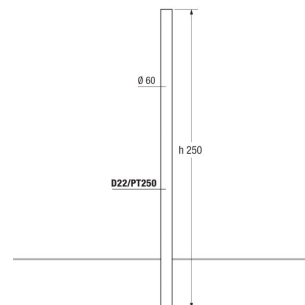


**Accessory code** D22/PT250-AL

**Technical description** Low poles in aluminium Ø60mm -AL ALUMINIUM, length pole 250cm, for embedded mounting.

**H: Total height device (mm)** 2500

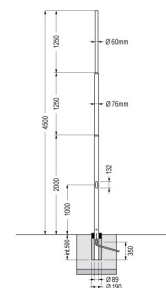
**Body** Painted -AL ALUMINIUM.



**Accessory code** ACS/PRI-450-AL

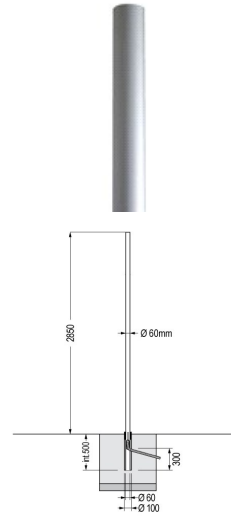
**Technical description** Tapered pole, upper section diameter 60mm, height above ground level 4.5m. Complete with Class II 4x16mm<sup>2</sup> shunt terminal block. Hot zinc coated and painted -AL ALUMINIUM.

**H: Total height device (mm)** 4500



**Accessory code** **D43/P300-AL**

**Technical description**  
Extruded anodized aluminum pole  
Ø60mm, height above ground level 3m -  
AL ALUMINIUM.



**Accessory code** **ACS/PCI-600-AL**

**Technical description**  
Cone-shaped pole upper Ø60mm, height  
above ground level 6m. Complete with  
Class II 4x16mm<sup>2</sup> shunt terminal block.  
Hot zinc coated and painted -AL  
ALUMINIUM.

**H: Total height device (mm)** **6000**

