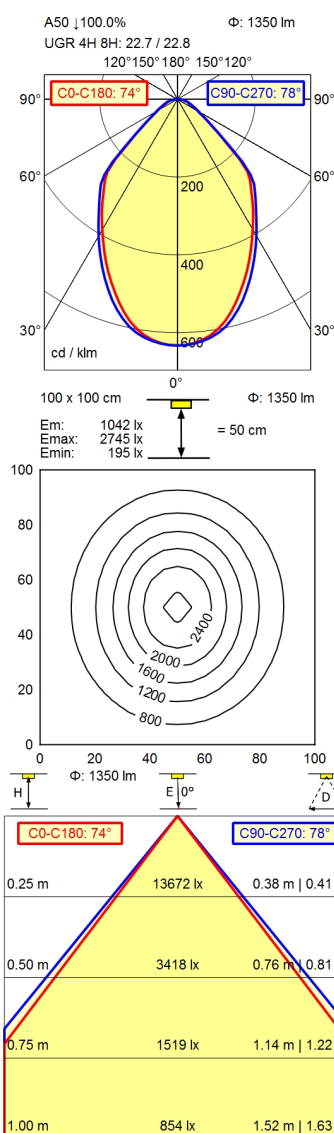


CE



CEE 7/VII



Light source	LED
Work equipment	Electronic transformer
Connected load	100 - 240 V; AC; 50 Hz; 60 Hz
Secondary tension	24 V
Power consumption	ca. 23 W
Sec. power consumption	ca. 19 W
Luminous flux	approx. 1.350 lm
Luminous efficiency ¹⁾	approx. 71 lm/W
Light type/-color	Cold white
Colour temperatur	approx. 4.900 K
Color rendering index	CRI \geq 90; R9 \geq 50
Light distribution	Direct
Direct ratio	approx. 100 %
Beam angle	75°
Chromaticity tolerance LED	< 4 SDCM
Glare control	optical film; Prism aperture
Luminance (L65)	\leq 12.000 cd/m ²
UGR class (4H 8H; EN 12464-1)	\leq 25
System of protection	IP 20
Class of protection	I with plug-in power supply; III without plug-in power supply
Technology	Touch DIM
Operation	Multi-function switch
Emergency lighting	none
Housing	Black
Light source cover	Structured; Plastic
Arm	Black
Balance of articulation joints	Spring
Mains lead	ca. 3,4 m; Mains plug; CEE 7/VII
Fastening	Tap16; Table clamp (accessory); Screw-down flange
Add-on lens	Not available
EAN	4013330131517
Weight (net)	ca. 1,9 kg
Weight incl. packaging	ca. 3,7 kg
Packaging dimensions	ca. 865; 420; 102
Special features	ESD version

¹⁾ For luminaires with separate control gear, the luminous efficacy refers to the luminaire head without control gear

